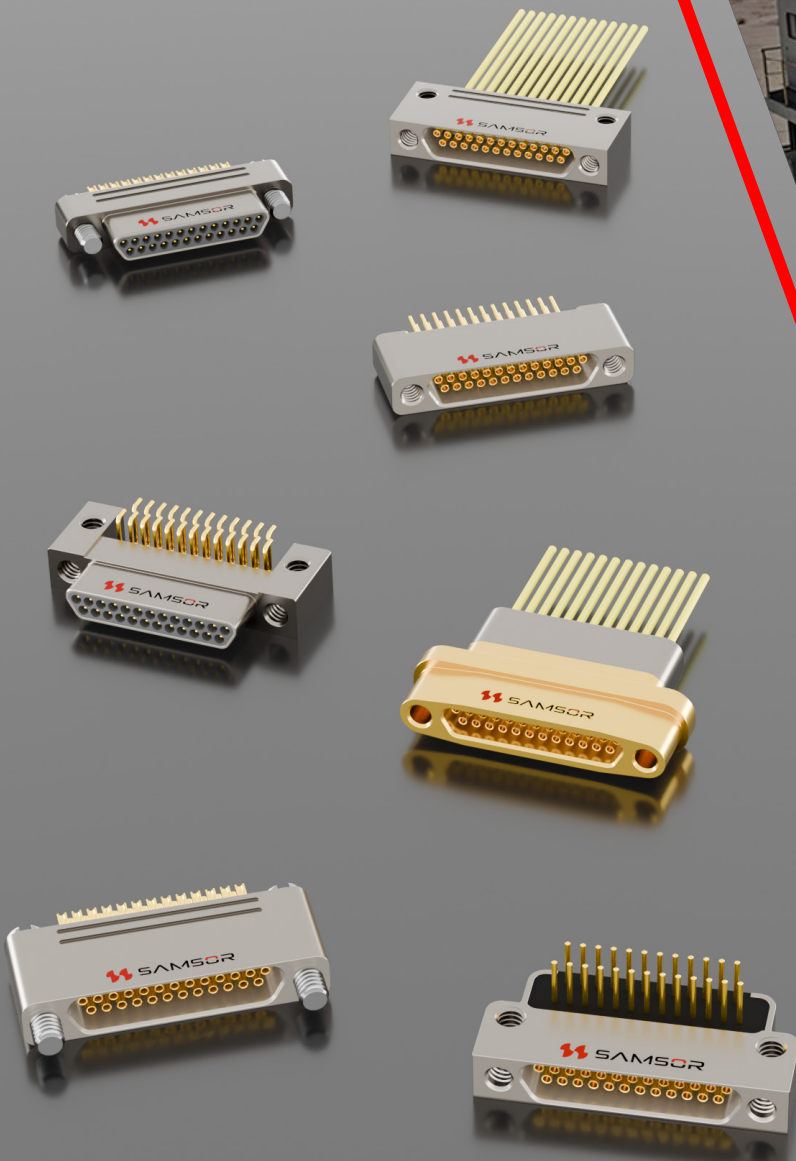




NMD Series

Micro-D Connector



Product Selection Guide

NMD Series			
			
3 Pre-wired Plug	4 Pre-wired Receptacle	5 Horizontal Mount Pre-wired Receptacle	6 Pre-wired Receptacle
			
7 Solder Cup Plug	8 Solder Cup Receptacle	9 Horizontal Mount Solder Cup Receptacle	10 Solder Cup Receptacle
			
11 Vertical PCB	14 Right Angle PCB	17 Right Angle PCB	20 Right Angle PCB
			
23 Vertical Surface Mount Receptacle	25 Horizontal Surface Mount Plug	27 Pre-wired Sealed	28 Solder Cup Sealed

NMD Hardware Series	
	
29 Free End	32 Fixed End

Features

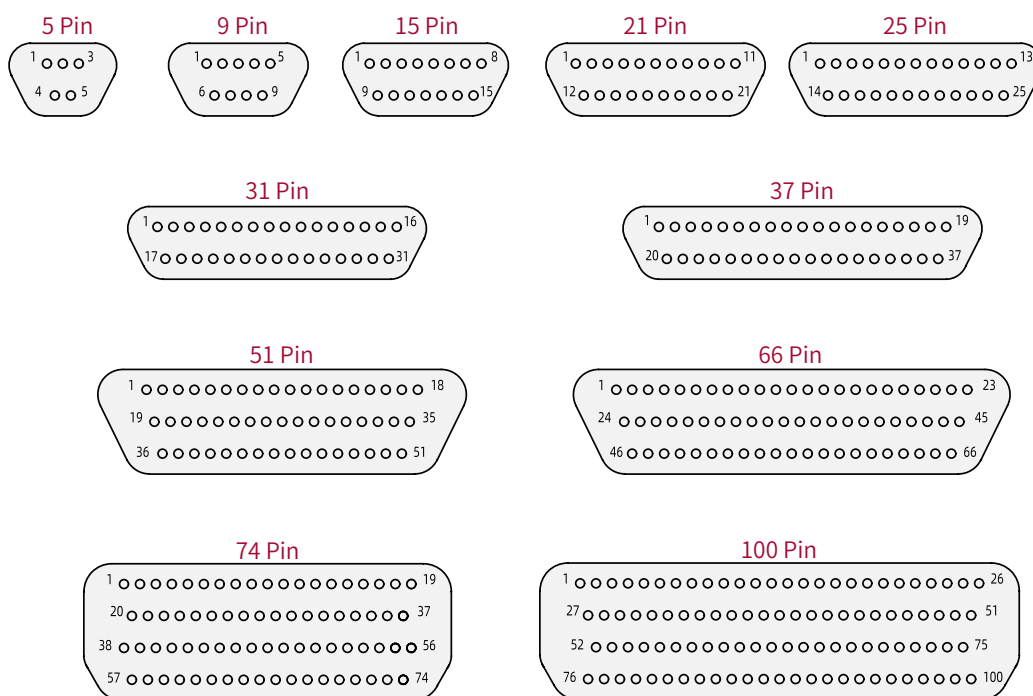
Number of Contacts: Available in 11 configurations with 9, 15, 21, 25, 31, 37, 51, 66, 74, and 100 pins
Adopts elastic nano-contacts with a contact pitch of 1 mm and a row pitch of 0.866 mm
Conductors with a crimped cross-section of 0.035mm ² to 0.1mm ²
The product complies with the requirements of GJB 2446A

Performance Specifications

Operating Temperature	-55°C~ +125°C
Relative humidity	≤ 98% +40°C
Vibration	10Hz ~ 2000Hz 196m/s ²
Shock	490m/s ²
Rated Current	2A max
Contact Resistance	≤ 12mΩ
Insulation Resistance	≥ 5000MΩ
Dielectric Withstand Voltage	500V
Durability	500 times

Contact Arrangement

Face View Pin Connector



How to order

NMD	-	X	P/S	X	-	XX	-	X	(Note)
-----	---	---	-----	---	---	----	---	---	--------

Series: NMD

Contact Layout: 5、 9、 15、 21、 25、 31、 37、 51、 66、 74、 100

Contact Type: P - Plug with pin S - Receptacle with socket

Shell modification: Omit - Standard type M - Hermetic type

Termination Type:

Omit - Pre-wired

S - Solder Cup

W - Right Angle PCB

N - Vertical PCB

W4 - Horizontal Surface Mount

N1 - Vertical Surface Mount

Hardware Type: L - hardware for free end

P - hardware for fixed end

Note: Wire Requirements for Pre-wired Product

If not specified, the default configuration is L=250 mm, AFR250 - 0.1mm²-250V, Yellow

If there are other requirements, specify as follows: Wire length (from the rear exit point, unit: mm, default: 250mm); Braid shield (P - Lightweight braided shield; default: no braid shield); Nylon sleeve(F - for military green nylon sleeve; Default: No nylon sleeve); Wire Grade (commonly AFR250, default AFR250); Wire Gauge(compatible with 0.035mm² - 0.1mm², default: 0.1mm²); Wire Color (optional multiple colors, default: yellow), Default items may be omitted; all other requirements can be noted. The above notes do not appear on product markings. They only serve as wire requirements for ordering pre-wired products with leads. For additional wiring definitions or requirements, please contact our engineers.

Note Examples:

(L600PF AFR250 0.1 Yellow) - Length: 600mm, yellow wire, type AF250, Gauge: 0.1mm², braided shielding over wire; nylon sleeve over shielding

(L300F 0.1) - Length: 300mm, yellow wire, type AFR250, Gauge: 0.1mm², without braid shield, with nylon sleeve over the wire

Pre-wired Plug-NMD-PL

NMD	-	25	P	L
-----	---	----	---	---

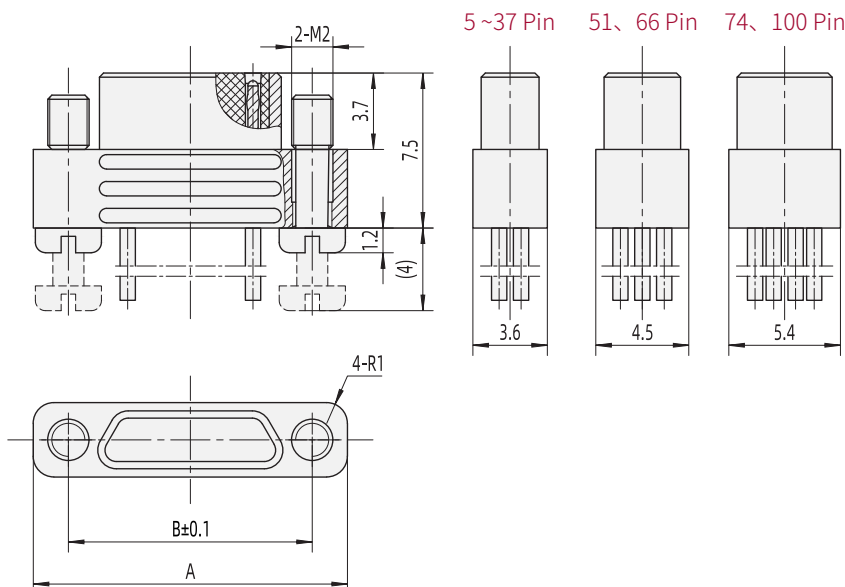


Series: NMD

Contact Layout: 5, 9, 15, 21, 25, 31, 37, 51, 66, 74, 100

Contact Type: P - Plug with pin

Hardware Type: L - hardware for free end



Type	A	B
NMD-5PL	10.2	6.8
NMD-9PL	12.2	8.8
NMD-15PL	15.2	11.8
NMD-21PL	18.2	14.8
NMD-25PL	20.2	16.8
NMD-31PL	23.2	19.8
NMD-37PL	26.2	22.8
NMD-51PL	25.2	21.8
NMD-66PL	30.2	26.8
NMD-74PL	26.2	22.8
NMD-100PL	33.2	29.8

NMD Series

BA-3

Pre-wired Receptacle-NMD-S

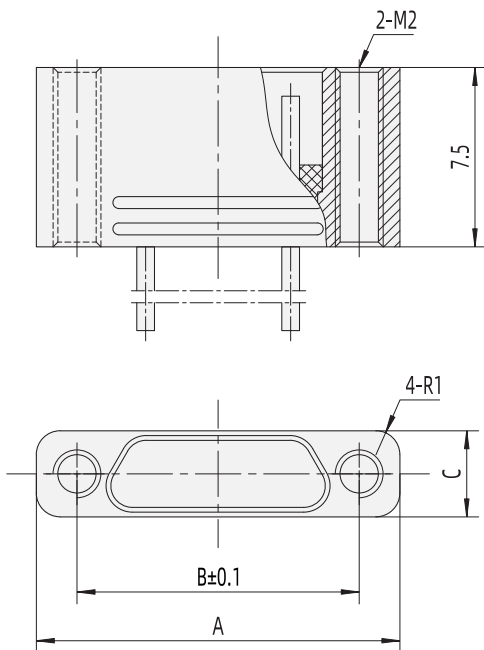
NMD	-	25	S
-----	---	----	---



Series: NMD

Contact Layout: 5、9、15、21、25、31、37、51、66、74、100

Contact Type: S - Receptacle with socket



Type	A	B	C
NMD-5S	10.2	6.8	3.6
NMD-9S	12.2	8.8	
NMD-15S	15.2	11.8	
NMD-21S	18.2	14.8	
NMD-25S	20.2	16.8	
NMD-31S	23.2	19.8	4.5
NMD-37S	26.2	22.8	
NMD-51S	25.2	21.8	
NMD-66S	30.2	26.8	5.4
NMD-74S	26.2	22.8	
NMD-100S	33.2	29.8	

Pre-wired Receptacle-Horizontal Mount-NMD-S1

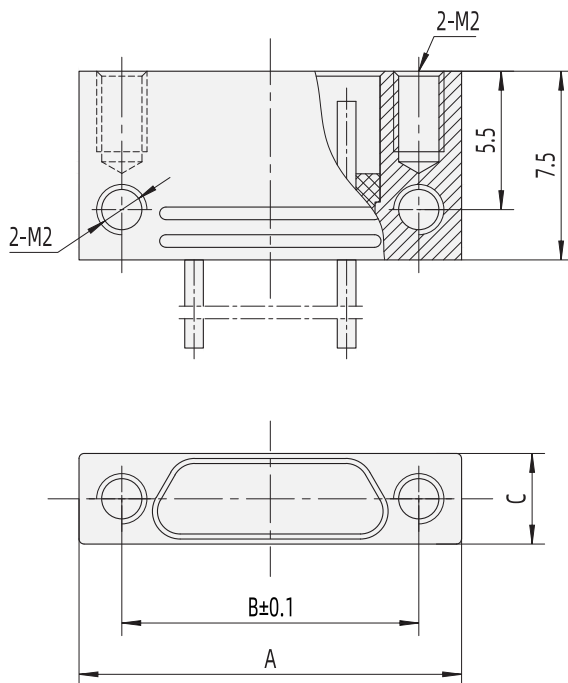
NMD - 25 S1



Series: NMD

Contact Layout: 5, 9, 15, 21, 25, 31, 37, 51, 66, 74, 100

Contact Type: S1 - Receptacle with socket



Type	A	B	C
NMD-5S1	10.2	6.8	3.6
NMD-9S1	12.2	8.8	
NMD-15S1	15.2	11.8	
NMD-21S1	18.2	14.8	
NMD-25S1	20.2	16.8	
NMD-31S1	23.2	19.8	4.5
NMD-37S1	26.2	22.8	
NMD-51S1	25.2	21.8	5.4
NMD-66S1	30.2	26.8	
NMD-74S1	26.2	22.8	
NMD-100S1	33.2	29.8	

Pre-wired Receptacle-NMD-SL5

NMD	-	25	S	L5
-----	---	----	---	----

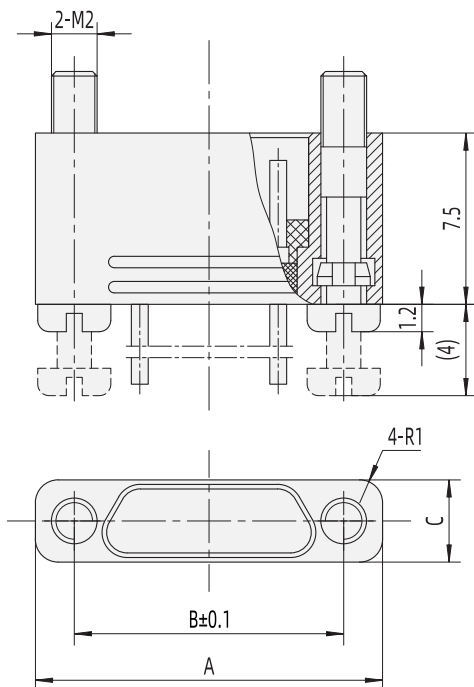


Series: NMD

Contact Layout: 5, 9, 15, 21, 25, 31, 37, 51, 66, 74, 100

Contact Type: S - Receptacle with socket

Hardware Type: L5 - hardware for free end



Type	A	B	C
NMD-5SL5	10.2	6.8	3.6
NMD-9SL5	12.2	8.8	
NMD-15SL5	15.2	11.8	
NMD-21SL5	18.2	14.8	
NMD-25SL5	20.2	16.8	
NMD-31SL5	23.2	19.8	4.5
NMD-37SL5	26.2	22.8	
NMD-51SL5	25.2	21.8	
NMD-66SL5	30.2	26.8	5.4
NMD-74SL5	26.2	22.8	
NMD-100SL5	33.2	29.8	

Solder Cup Plug-NMD-PSL

NMD	-	25	P	S	L
-----	---	----	---	---	---



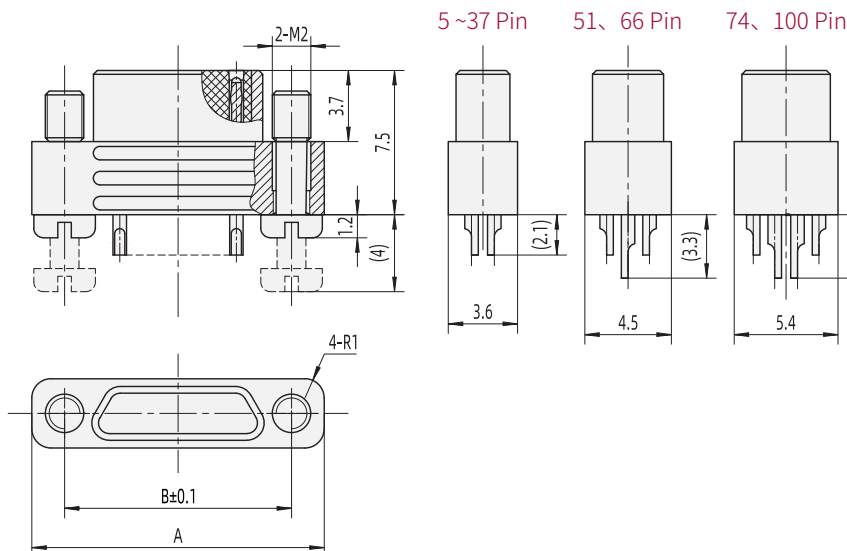
Series: NMD

Contact Layout: 5, 9, 15, 21, 25, 31, 37, 51, 66, 74, 100

Contact Type: P - Plug with pin

Termination Type: S - Solder Cup

Hardware Type: L - hardware for free end



Type	A	B
NMD-5PSL	10.2	6.8
NMD-9PSL	12.2	8.8
NMD-15PSL	15.2	11.8
NMD-21PSL	18.2	14.8
NMD-25PSL	20.2	16.8
NMD-31PSL	23.2	19.8
NMD-37PSL	26.2	22.8
NMD-51PSL	25.2	21.8
NMD-66PSL	30.2	26.8
NMD-74PSL	26.2	22.8
NMD-100PSL	33.2	29.8

NMD Series

BA-7

Solder Cup Receptacle-NMD-SS

NMD	-	25	S	S
-----	---	----	---	---

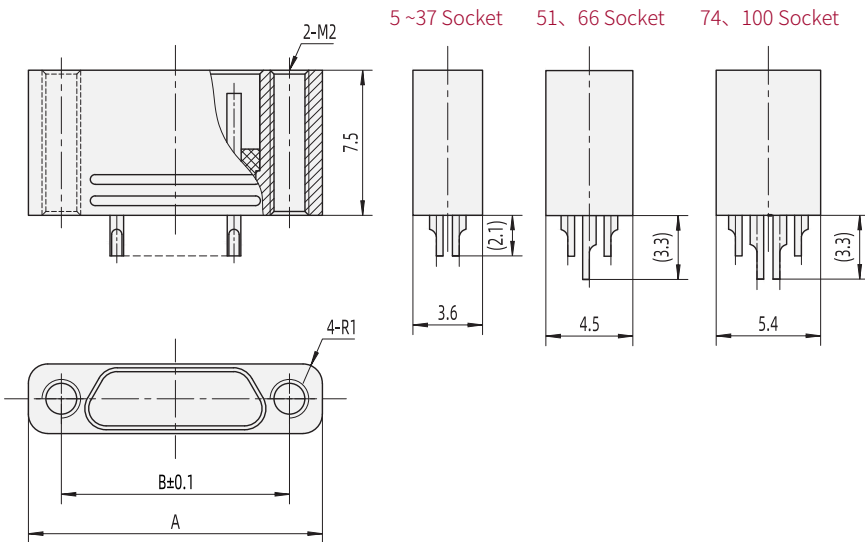


Series: NMD

Contact Layout: 5、9、15、21、25、31、37、51、66、74、100

Contact Type: S - Receptacle with socket

Termination Type: S - Solder Cup



Type	A	B
NMD-5SS	10.2	6.8
NMD-9SS	12.2	8.8
NMD-15SS	15.2	11.8
NMD-21SS	18.2	14.8
NMD-25SS	20.2	16.8
NMD-31SS	23.2	19.8
NMD-37SS	26.2	22.8
NMD-51SS	25.2	21.8
NMD-66SS	30.2	26.8
NMD-74SS	26.2	22.8
NMD-100SS	33.2	29.8

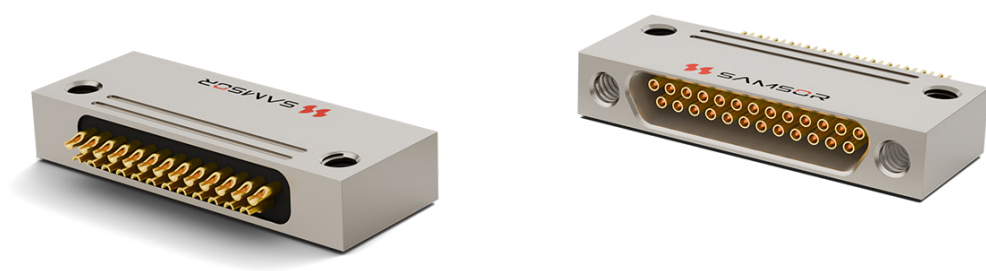
NMD Series

Jan 2025, V1.0

Please visit the official website to download 3D models: www.samsor.com

Solder Cup Receptacle-Horizontal Mount-NMD-S1S

NMD	-	25	S1	S
-----	---	----	----	---

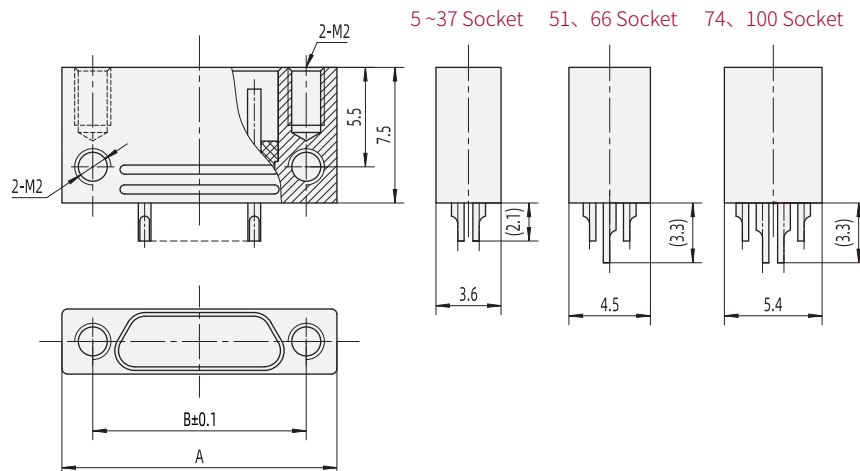


Series: NMD

Contact Layout: 5、9、15、21、25、31、37、51、66、74、100

Contact Type: S1 - Receptacle with socket

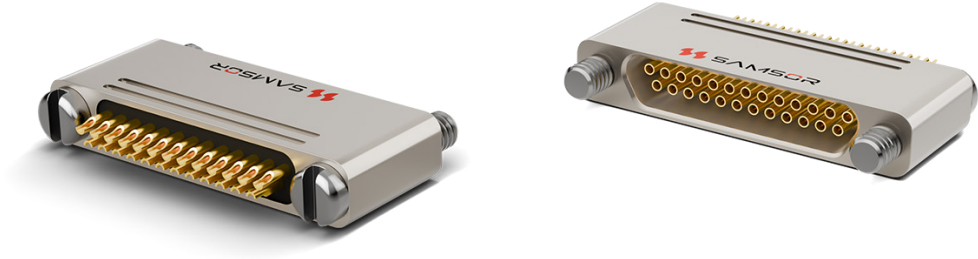
Termination Type: S - Solder Cup



Type	A	B
NMD-5S1S	10.2	6.8
NMD-9S1S	12.2	8.8
NMD-15S1S	15.2	11.8
NMD-21S1S	18.2	14.8
NMD-25S1S	20.2	16.8
NMD-31S1S	23.2	19.8
NMD-37S1S	26.2	22.8
NMD-51S1S	25.2	21.8
NMD-66S1S	30.2	26.8
NMD-74S1S	26.2	22.8
NMD-100S1S	33.2	29.8

Solder Cup Receptacle-NMD-SSL5

NMD	-	25	S	S	L5
-----	---	----	---	---	----



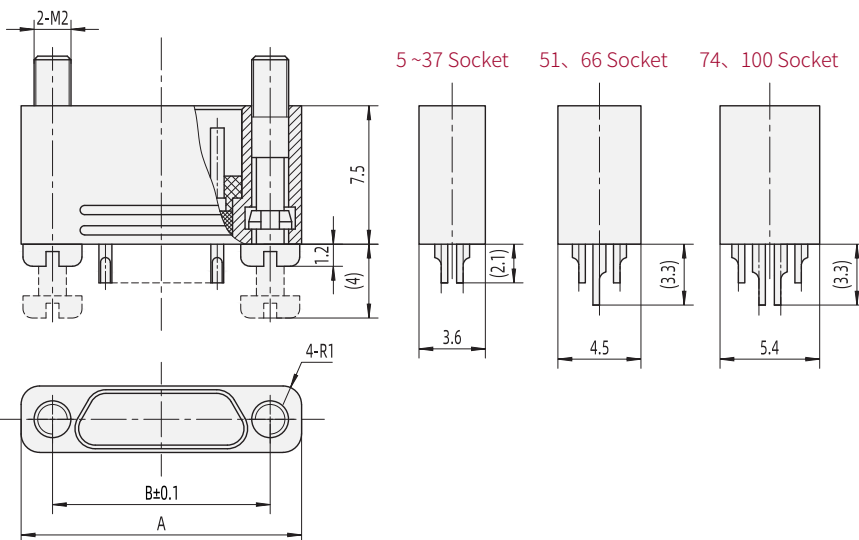
Series: NMD

Contact Layout: 5、9、15、21、25、31、37、51、66、74、100

Contact Type: S - Receptacle with socket

Termination Type: S - Solder Cup

Hardware Type: L5 - hardware for free end



Type	A	B
NMD-5SSL5	10.2	6.8
NMD-9SSL5	12.2	8.8
NMD-15SSL5	15.2	11.8
NMD-21SSL5	18.2	14.8
NMD-25SSL5	20.2	16.8
NMD-31SSL5	23.2	19.8
NMD-37SSL5	26.2	22.8
NMD-51SSL5	25.2	21.8
NMD-66SSL5	30.2	26.8
NMD-74SSL5	26.2	22.8
NMD-100SSL5	33.2	29.8

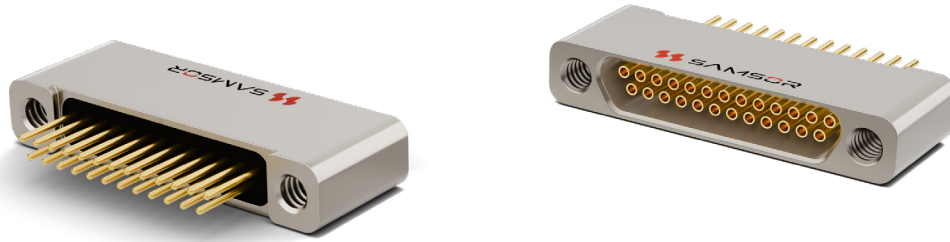
NMD Series

Jan 2025, V1.0

Please visit the official website to download 3D models: www.samsor.com

Vertical PCB Receptacle-NMD-SN

NMD	-	25	S	N
-----	---	----	---	---

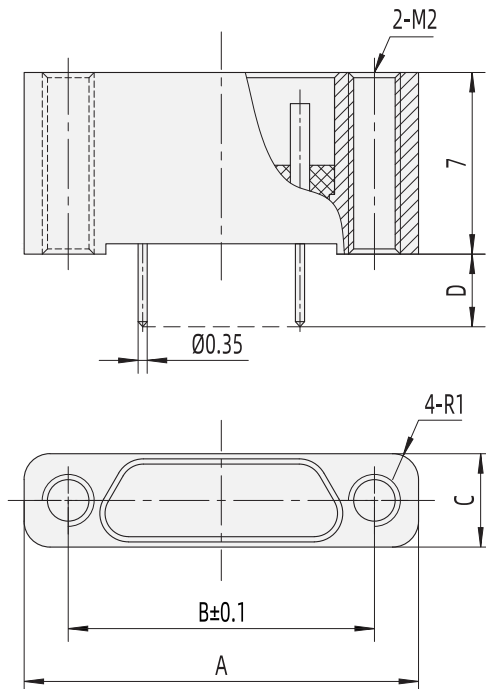


Series: NMD

Contact Layout: 5, 9, 15, 21, 25, 31, 37, 51, 66, 74, 100

Contact Type: S - Receptacle with socket

Termination Type: N - Vertical PCB

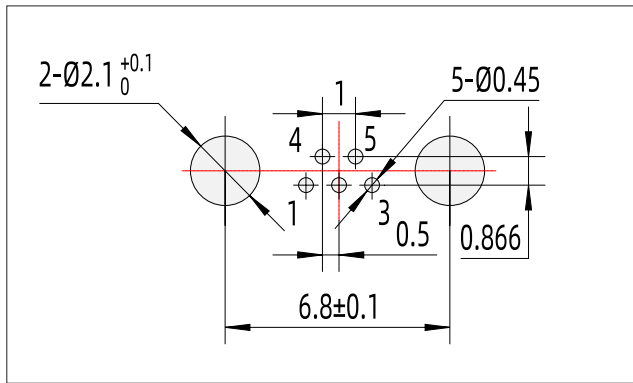


■ Type N: Pin length 2.8mm Type N2: Pin length 3.6mm
 Type N3: Pin length 4.4mm

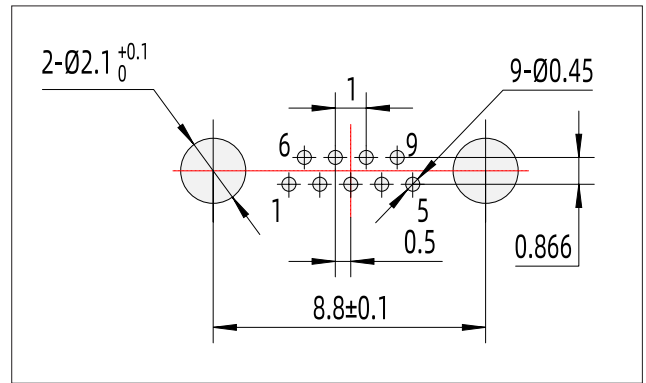
Type	A	B	C	D		
				N	N2	N3
NMD-5SN	10.2	6.8	3.6	2.8	3.6	4.4
NMD-9SN	12.2	8.8				
NMD-15SN	15.2	11.8				
NMD-21SN	18.2	14.8				
NMD-25SN	20.2	16.8				
NMD-31SN	23.2	19.8	4.5	2.8	3.6	4.4
NMD-37SN	26.2	22.8				
NMD-51SN	25.2	21.8				
NMD-66SN	30.2	26.8	5.4	2.8	3.6	4.4
NMD-74SN	26.2	22.8				
NMD-100SN	33.2	29.8				

NMD-xSN PCB Cutout Dimensions

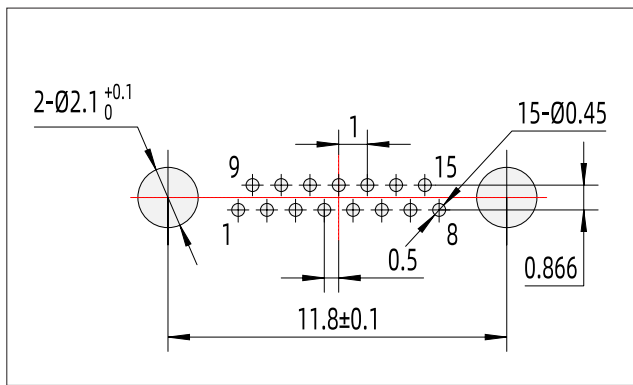
Connector-to-PCB Orientation View



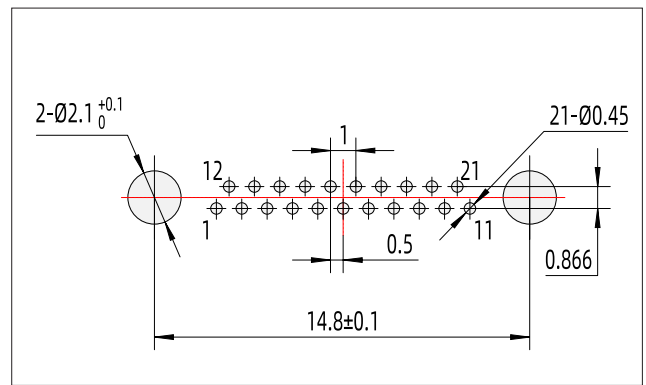
NMD-5SN



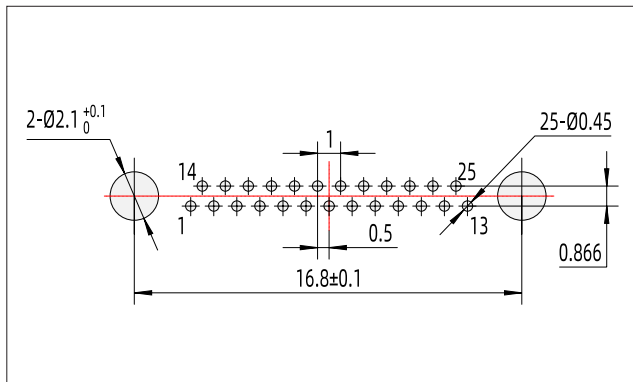
NMD-9SN



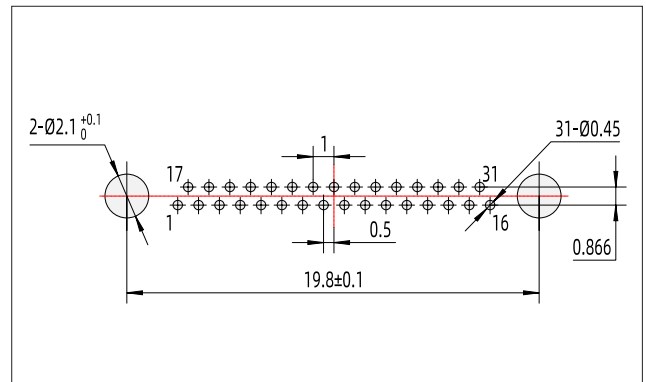
NMD-15SN



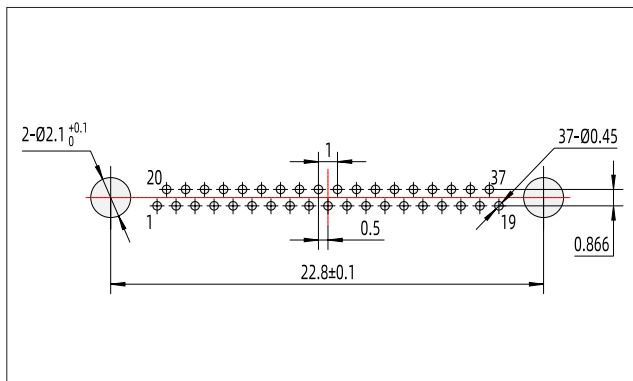
NMD-21SN



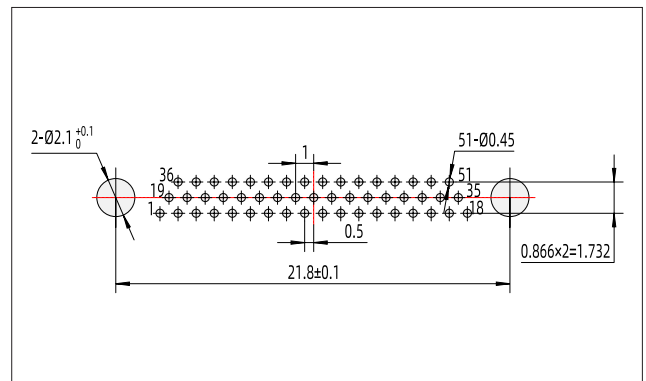
NMD-25SN



NMD-31SN



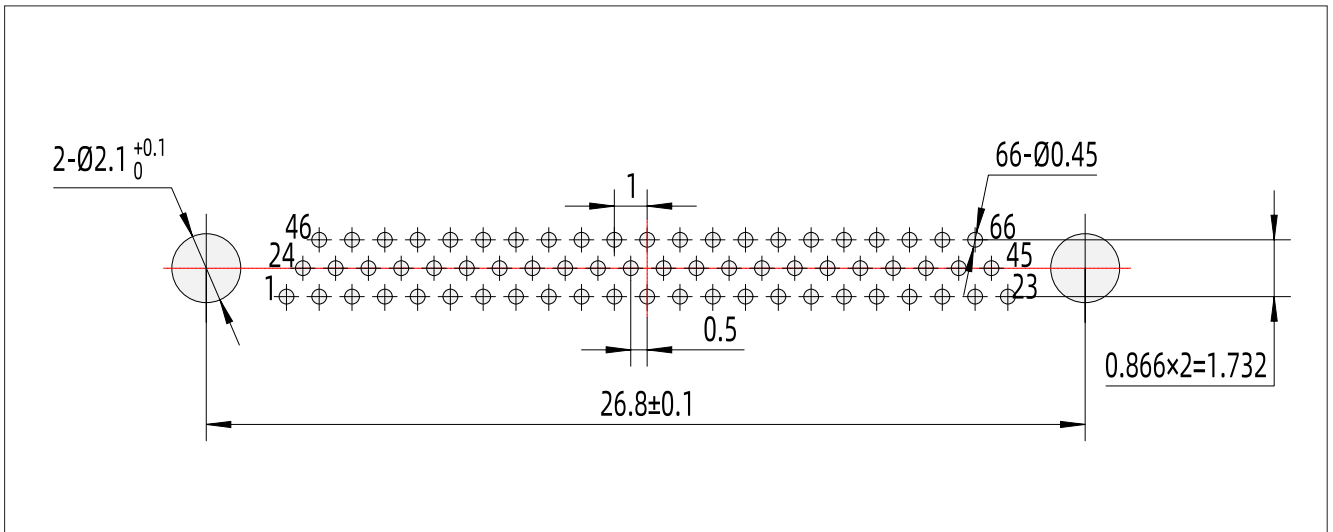
NMD-37SN



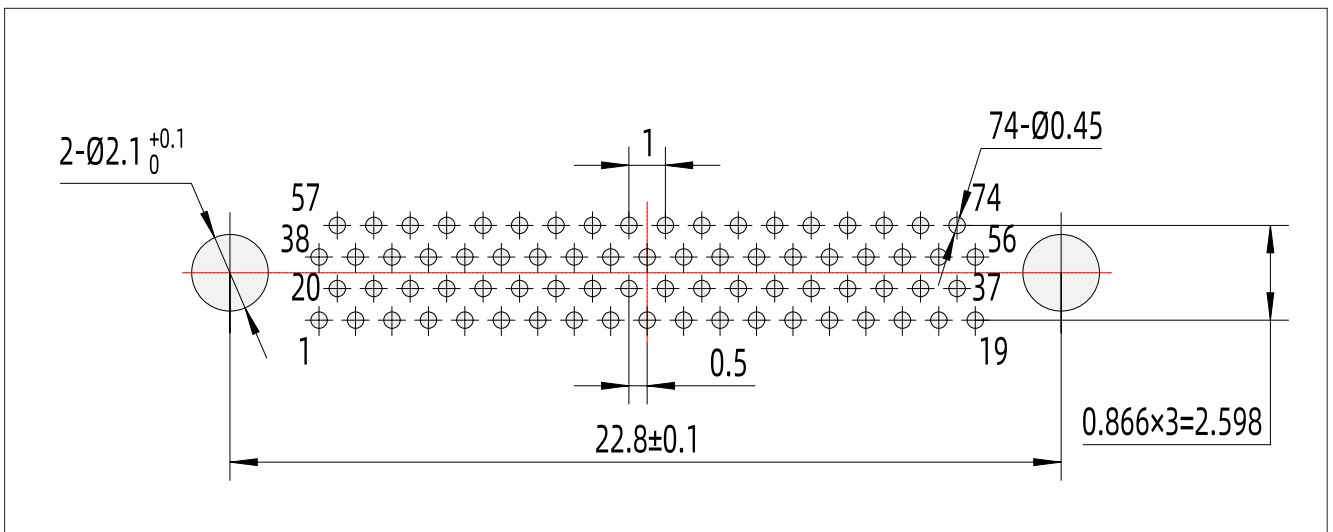
NMD-51SN

NMD-xSN PCB Cutout Dimensions

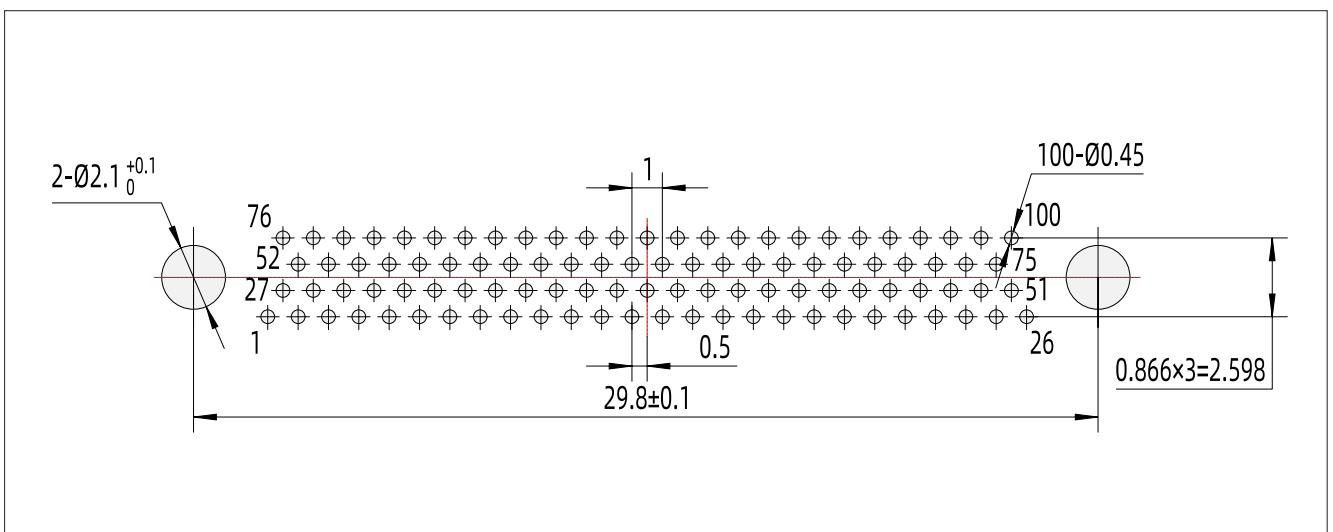
Connector-to-PCB Orientation View



NMD-66SN



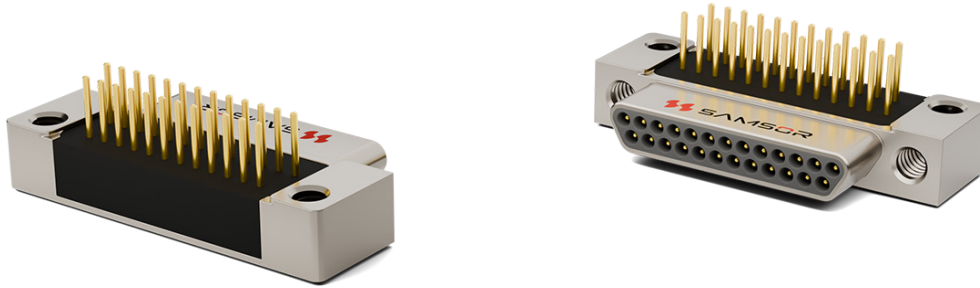
NMD-74SN



NMD-100SN

Right-Angle PCB Plug-NMD-PW1

NMD	-	25	P	W1
-----	---	----	---	----

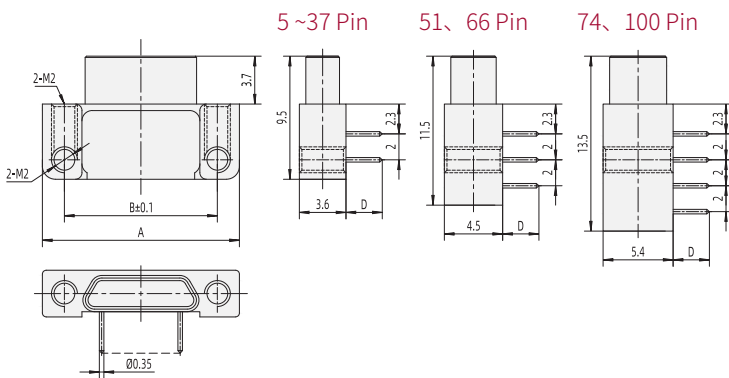


Series: NMD

Contact Layout: 5、9、15、21、25、31、37、51、66、74、100

Contact Type: P - Plug with pin

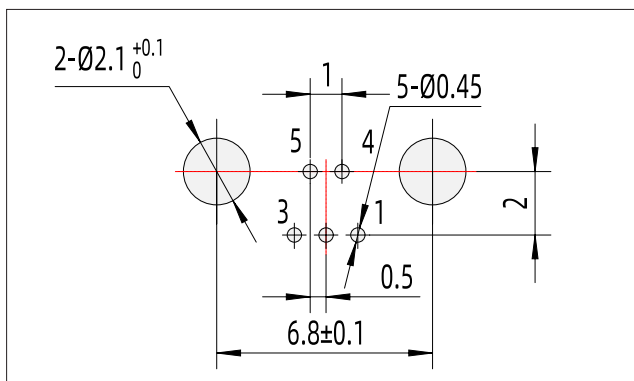
Termination Type: W1 - Right Angle PCB



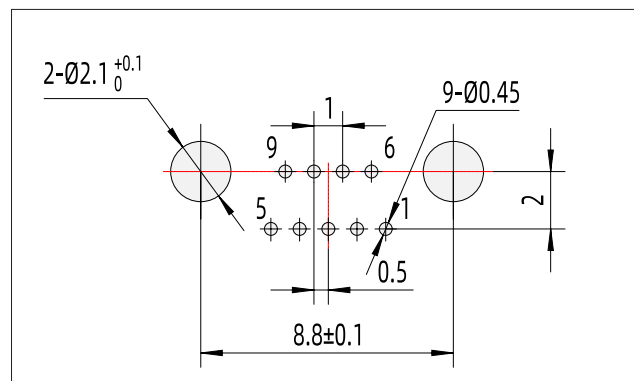
Type	A	B	D		
			PW1	PW2	PW3
NMD-5PW1	10.2	6.8			
NMD-9PW1	12.2	8.8			
NMD-15PW1	15.2	11.8			
NMD-21PW1	18.2	14.8			
NMD-25PW1	20.2	16.8			
NMD-31PW1	23.2	19.8	2.8	3.6	4.4
NMD-37PW1	26.2	22.8			
NMD-51PW1	25.2	21.8			
NMD-66PW1	30.2	26.8			
NMD-74PW1	26.2	22.8			
NMD-100PW1	33.2	29.8			

NMD-xPW1 PCB Cutout Dimensions

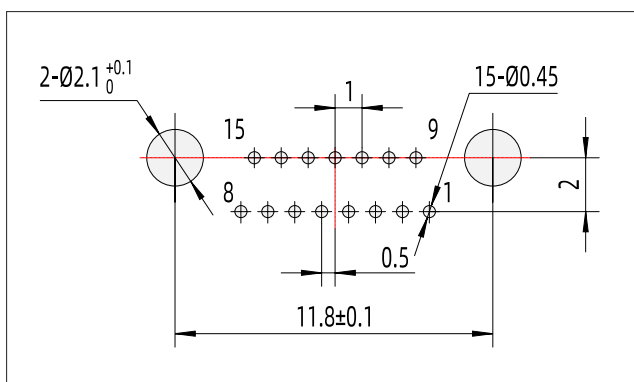
Connector-to-PCB Orientation View



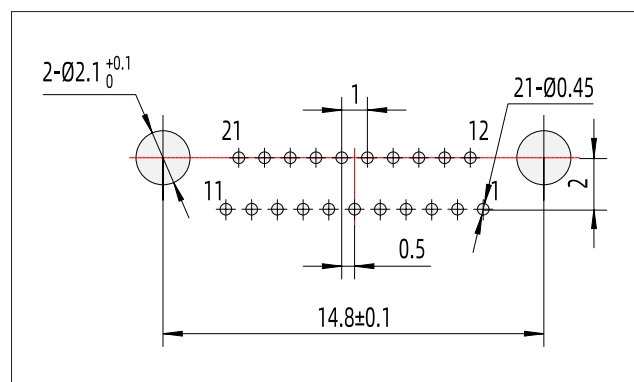
NMD-5PW1



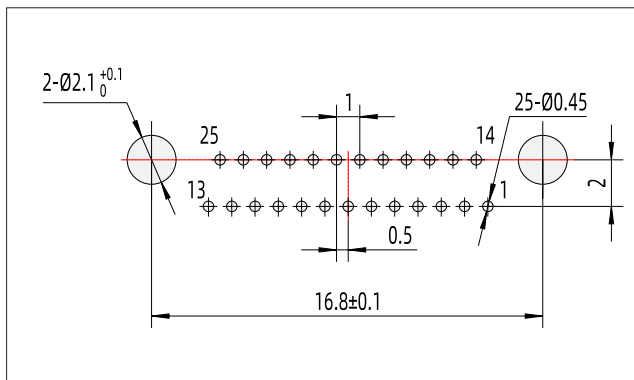
NMD-9PW1



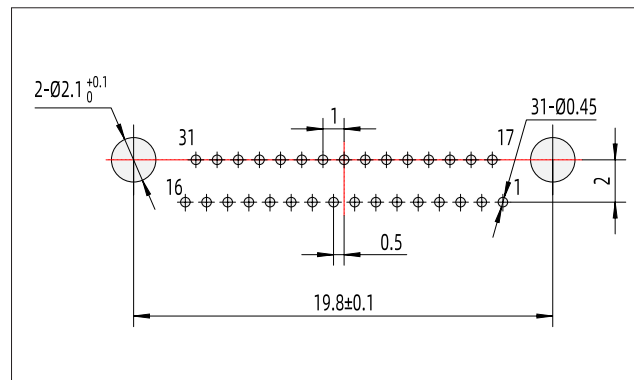
NMD-15PW1



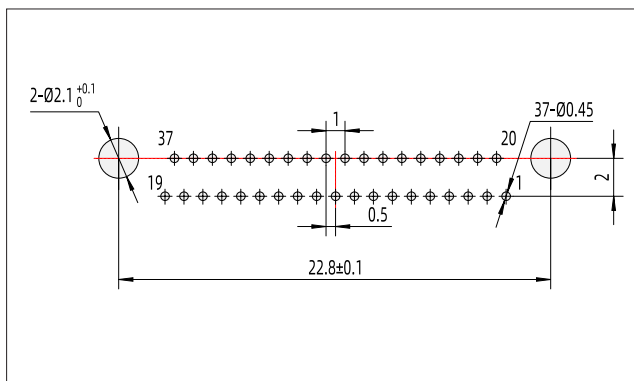
NMD-21PW1



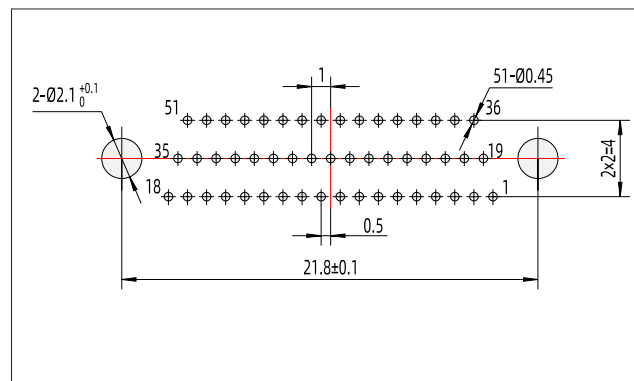
NMD-25PW1



NMD-31PW1



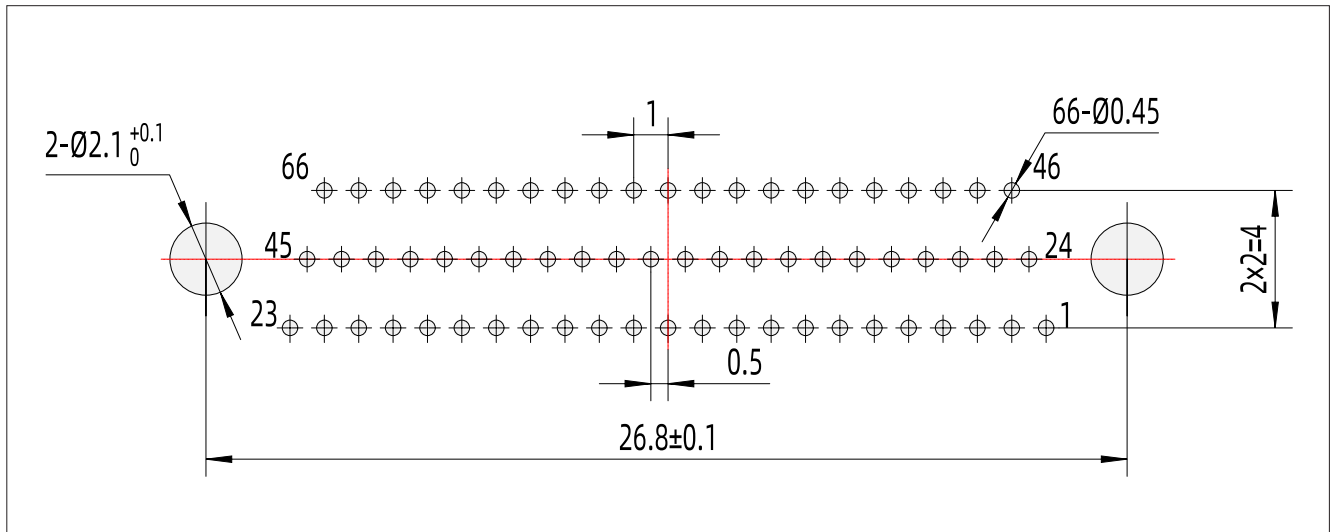
NMD-37PW1



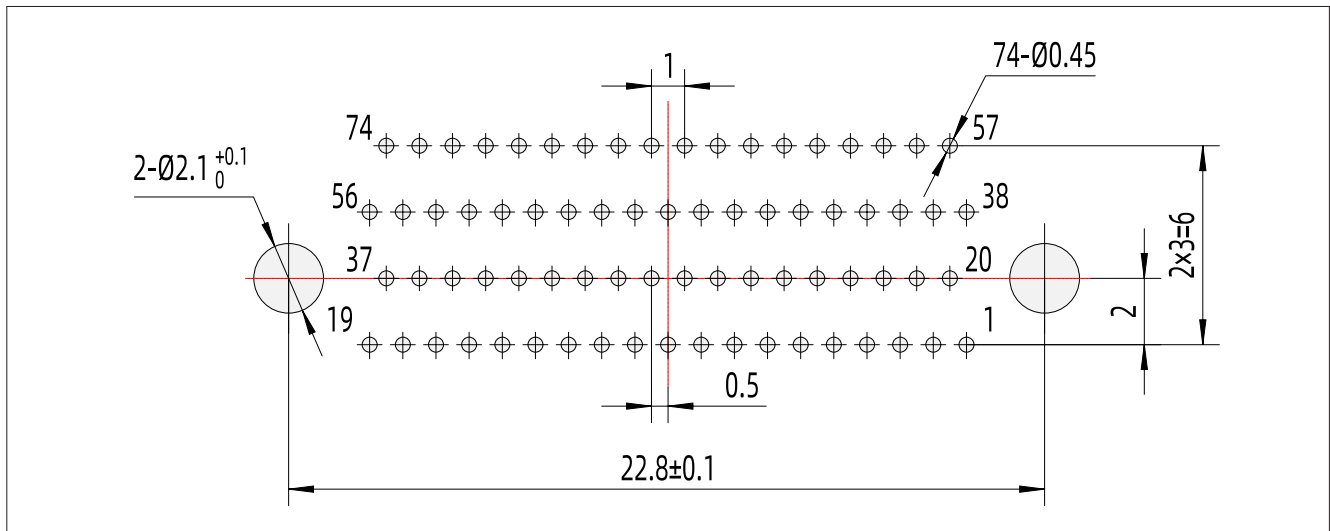
NMD-51PW1

NMD-xPW1 PCB Cutout Dimensions

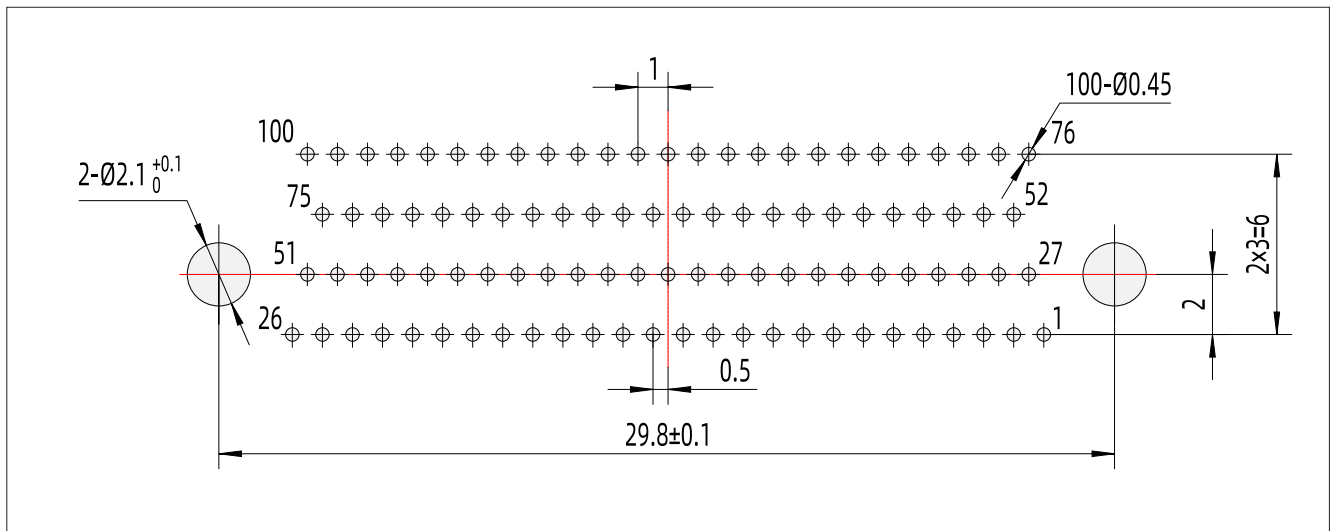
Connector-to-PCB Orientation View



NMD-66PW1



NMD-74PW1



NMD-100PW1

Right-Angle PCB Receptacle-NMD-SW1

NMD	-	25	S	W1
-----	---	----	---	----



Series: NMD

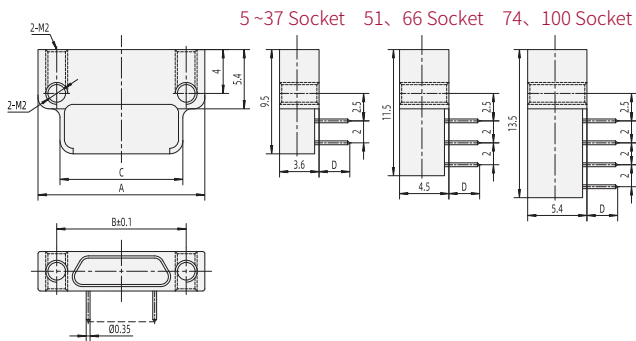
Contact Layout: 5, 9, 15, 21, 25, 31, 37, 51, 66, 74, 100

Contact Type: S - Receptacle with socket

Termination Type: W1 - Right Angle PCB



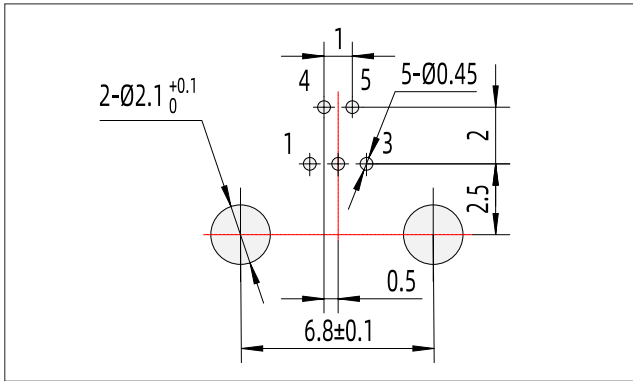
■ Type W1: Pin length 2.8mm Type W2: Pin length 3.6mm
Type W3: Pin length 4.4mm



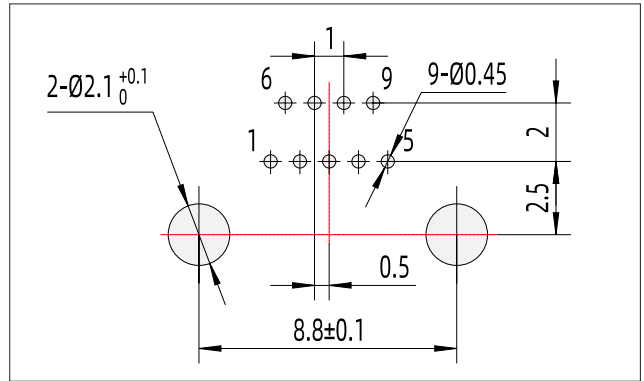
Type	A	B	C	D		
				SW1	SW2	SW3
NMD-5SW1	10.2	6.8	6.2	2.8	3.6	4.4
NMD-9SW1	12.2	8.8	8.2			
NMD-15SW1	15.2	11.8	11.2			
NMD-21SW1	18.2	14.8	14.2			
NMD-25SW1	20.2	16.8	16.2			
NMD-31SW1	23.2	19.8	19.2			
NMD-37SW1	26.2	22.8	22.2			
NMD-51SW1	25.2	21.8	21.2			
NMD-66SW1	30.2	26.8	26.2			
NMD-74SW1	26.2	22.8	22.2			
NMD-100SW1	33.2	29.8	29.2			

NMD-xSW1 PCB Cutout Dimensions

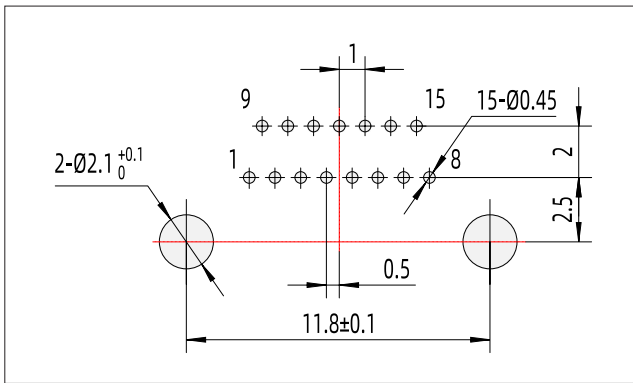
Connector-to-PCB Orientation View



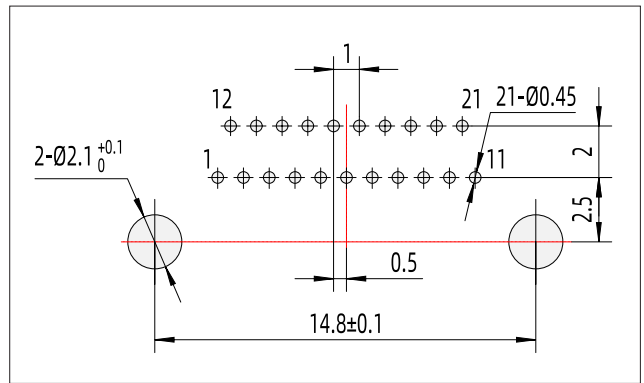
NMD-5SW1



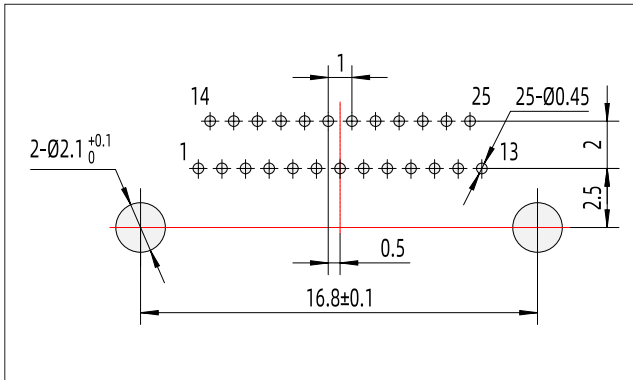
NMD-9SW1



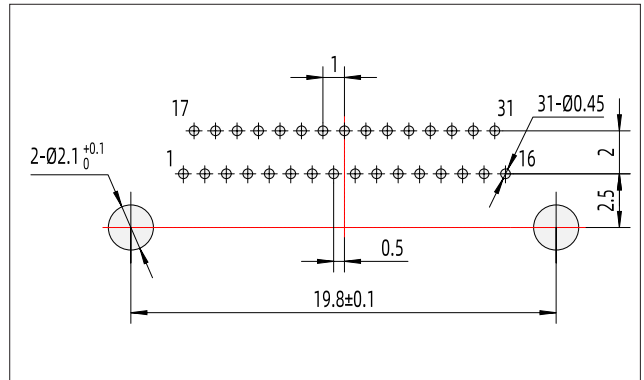
NMD-15SW1



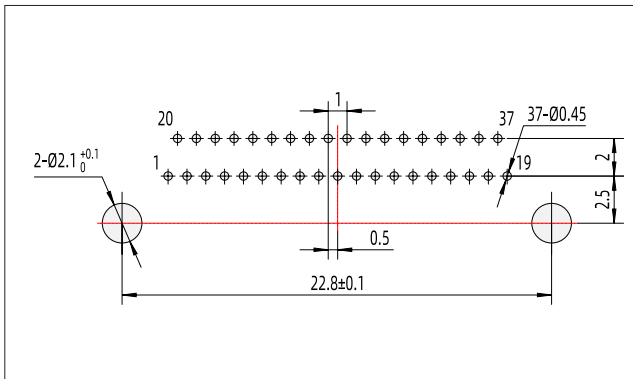
NMD-21SW1



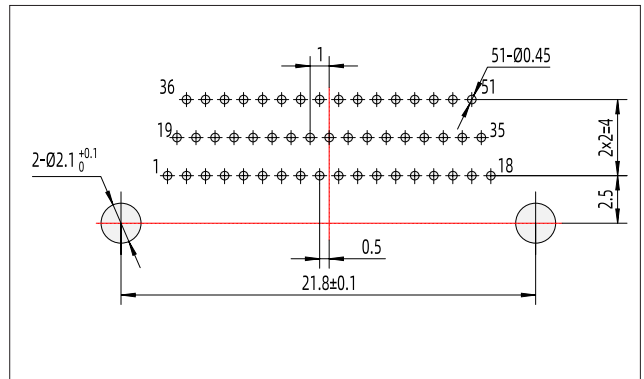
NMD-25SW1



NMD-31SW1



NMD-37SW1



NMD-51SW1

Right-Angle PCB Receptacle-NMD-SW

NMD	-	25	S	W
-----	---	----	---	---



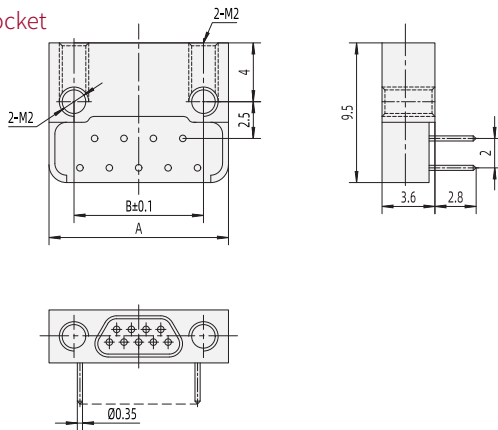
Series: NMD

Contact Layout: 5、9、15、21、25、31、37、51、66

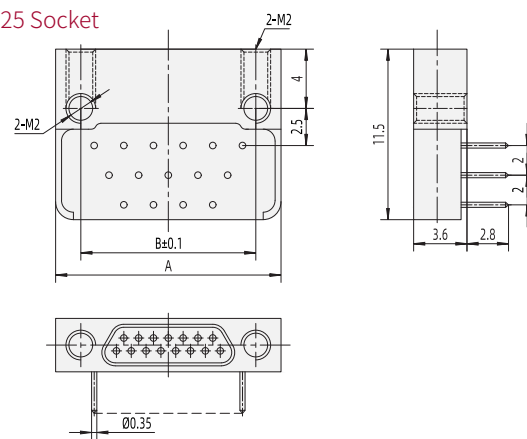
Contact Type: S - Receptacle with socket

Termination Type: W - Right Angle PCB

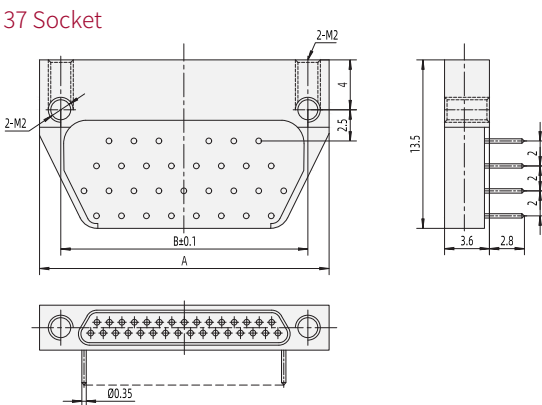
5、9 Socket



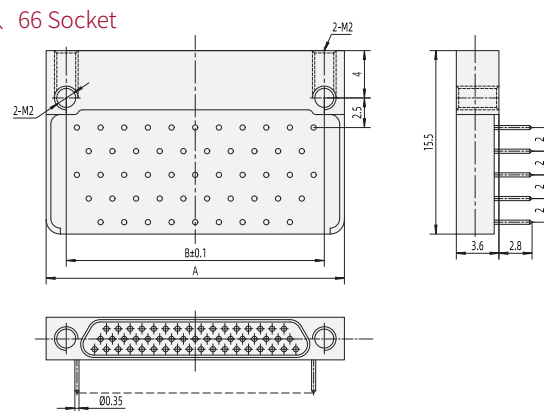
15~25 Socket



31、37 Socket



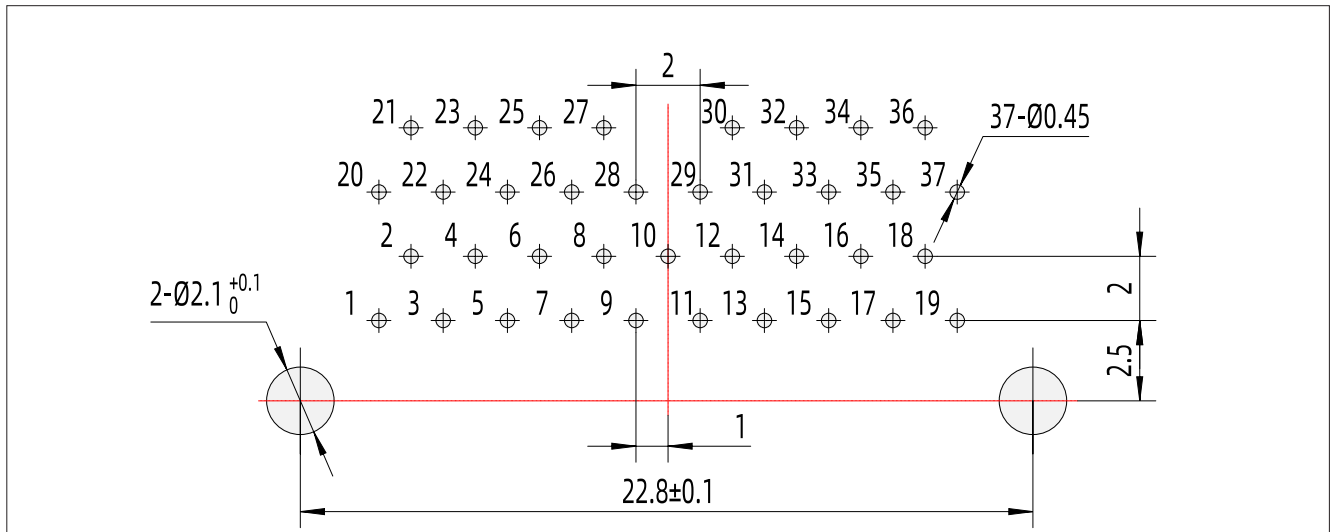
51、66 Socket



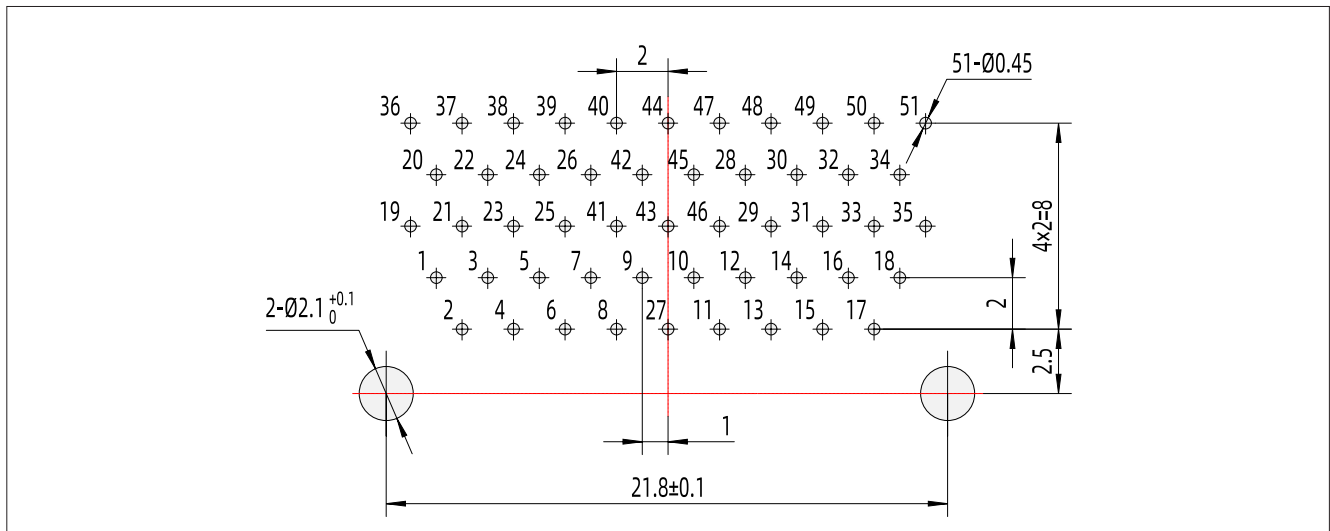
Type	NMD-5SW	NMD-9SW	NMD-15SW	NMD-21SW	NMD-25SW	NMD-31SW	NMD-37SW	NMD-51SW	NMD-66SW
A	10.2	12.2	15.2	18.2	20.2	23.2	26.2	25.2	30.2
B	6.8	8.8	11.8	14.8	16.8	19.8	22.8	21.8	26.8

NMD-xSW PCB Cutout Dimensions

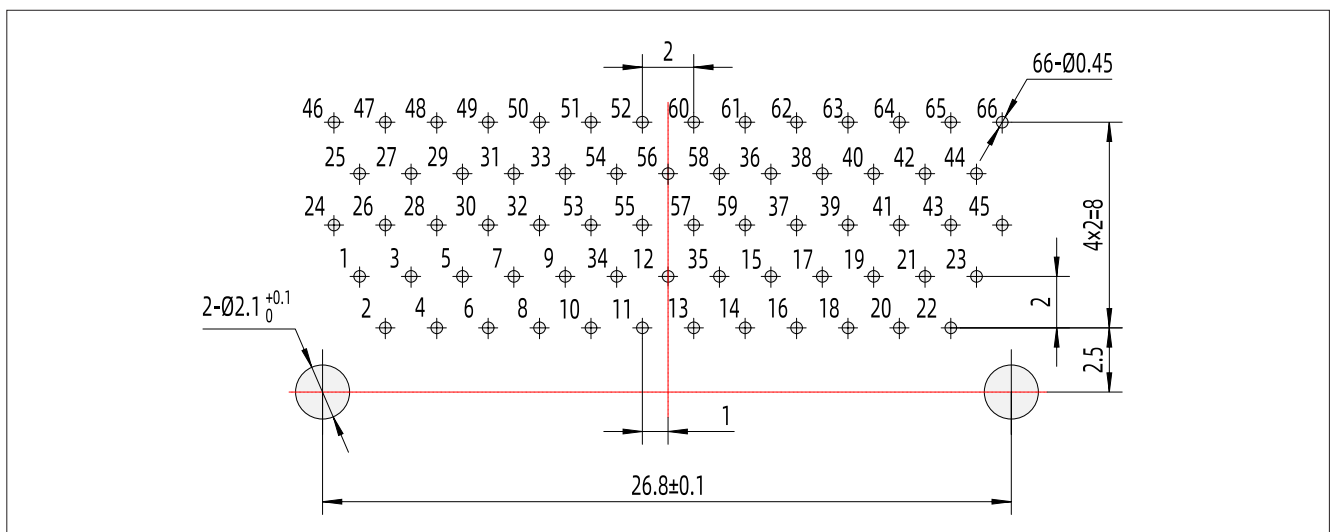
Connector-to-PCB Orientation View



NMD-37SW



NMD-51SW



NMD-66SW

Vertical Surface Mount Receptacle-NMD-SN1

NMD	-	25	S	N1
-----	---	----	---	----

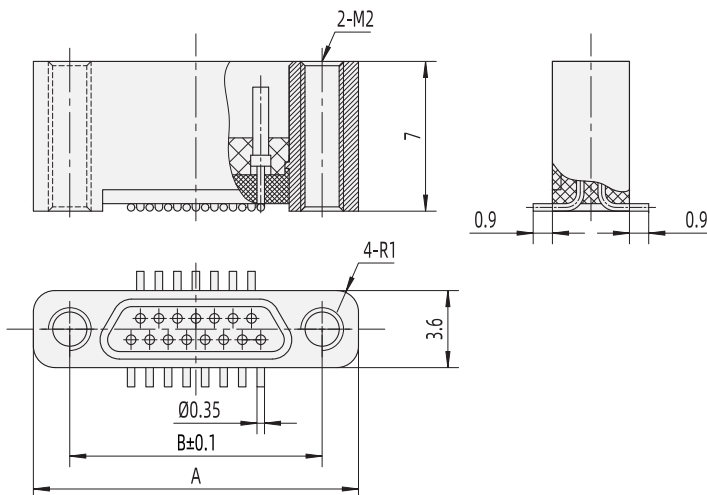


Series: NMD

Contact Layout: 5, 9, 15, 21, 25, 31, 37

Contact Type: S - Receptacle with socket

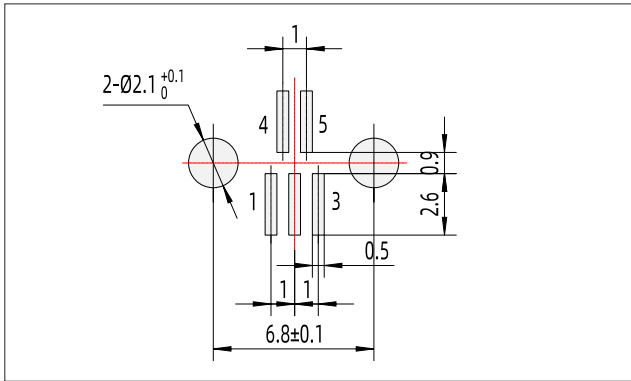
Termination Type: N1 - Vertical Surface Mount



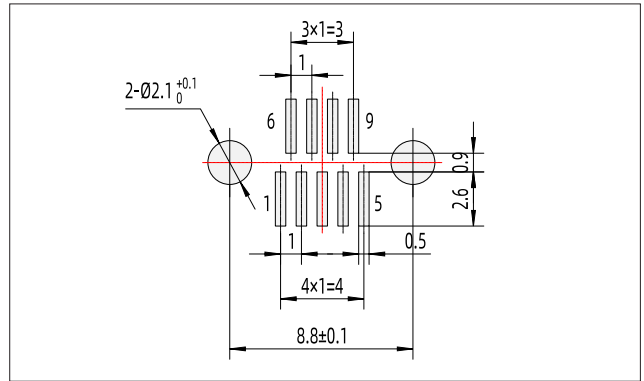
Type	A	B
NMD-5SN1	10.2	6.8
NMD-9SN1	12.2	8.8
NMD-15SN1	15.2	11.8
NMD-21SN1	18.2	14.8
NMD-25SN1	20.2	16.8
NMD-31SN1	23.2	19.8
NMD-37SN1	26.2	22.8

NMD-xSN1 PCB Cutout Dimensions

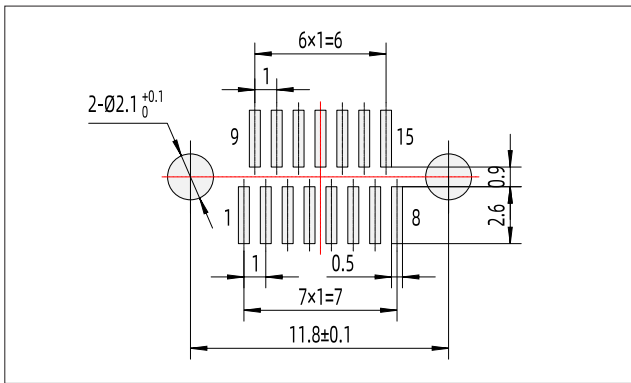
Connector-to-PCB Orientation View



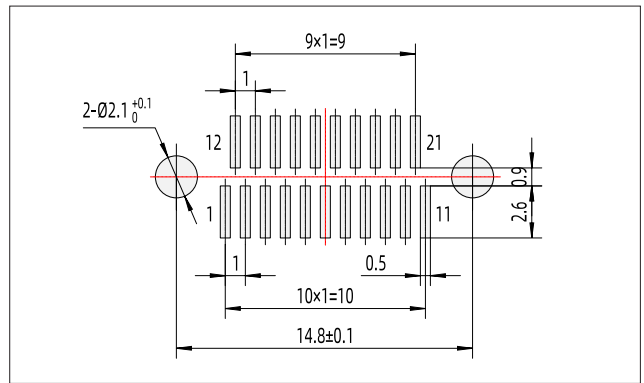
NMD-5SN1



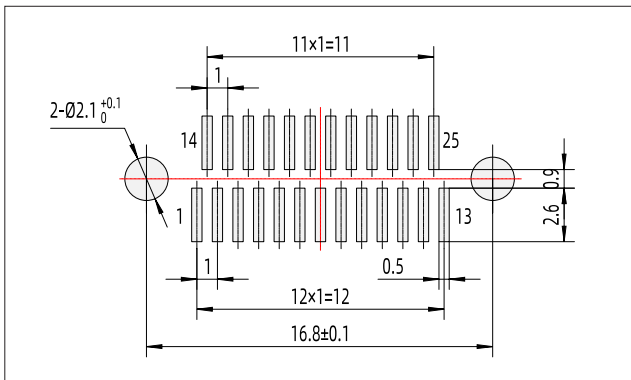
NMD-9SN1



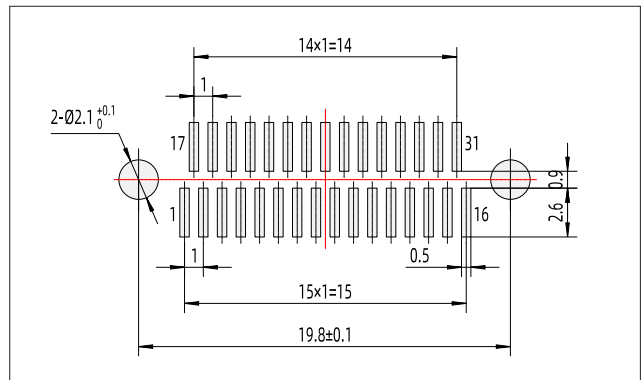
NMD-15SN1



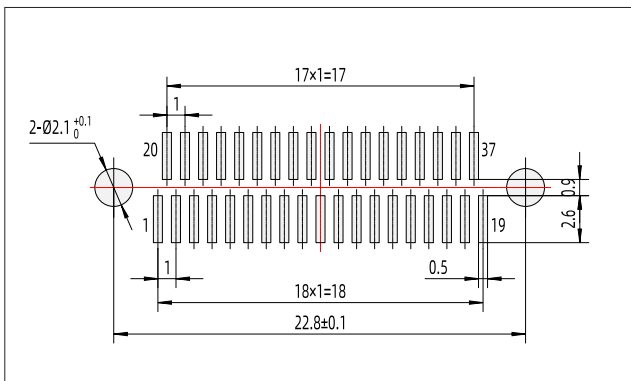
NMD-21SN1



NMD-25SN1



NMD-31SN1



NMD-37SN1

Horizontal Surface Mount Plug-NMD-PW4

NMD	-	25	P	W4
-----	---	----	---	----

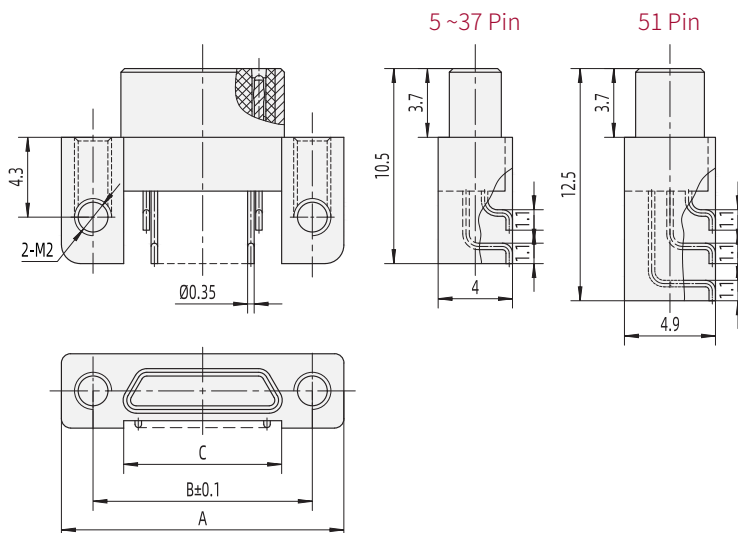
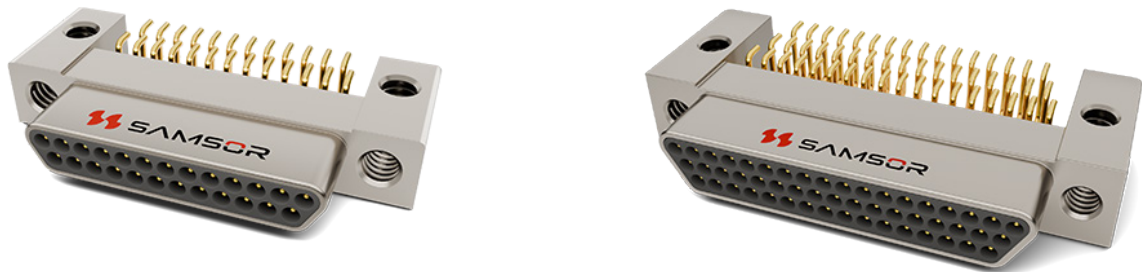


Series: NMD

Contact Layout: 5、9、15、21、25、31、37、51

Contact Type: P - Plug with pin

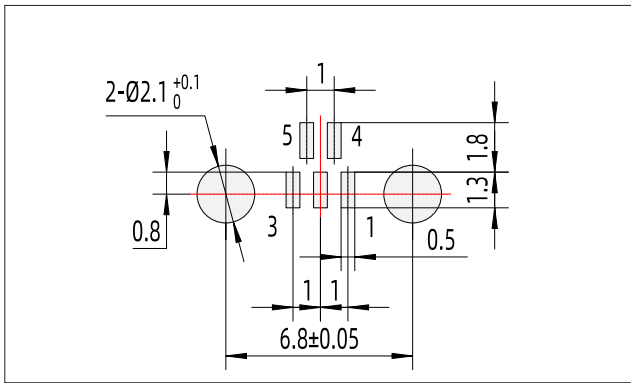
Termination Type: W4 - Horizontal Surface Mount



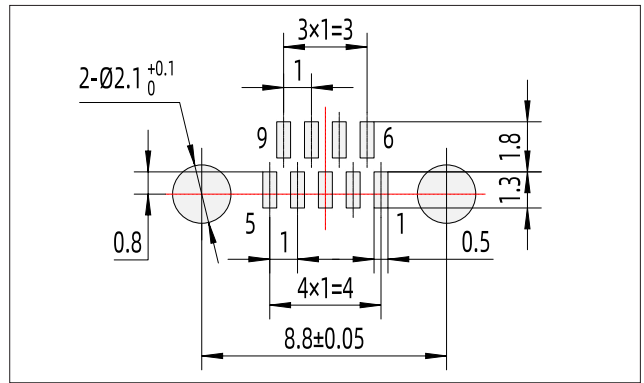
Type	A	B	C
NMD-5PW4	10.2	6.8	3.5
NMD-9PW4	12.2	8.8	5.5
NMD-15PW4	15.2	11.8	8.5
NMD-21PW4	18.2	14.8	11.5
NMD-25PW4	20.2	16.8	13.5
NMD-31PW4	23.2	19.8	16.5
NMD-37PW4	26.2	22.8	19.5
NMD-51PW4	25.2	21.8	18.5

NMD-xPW4 PCB Cutout Dimensions

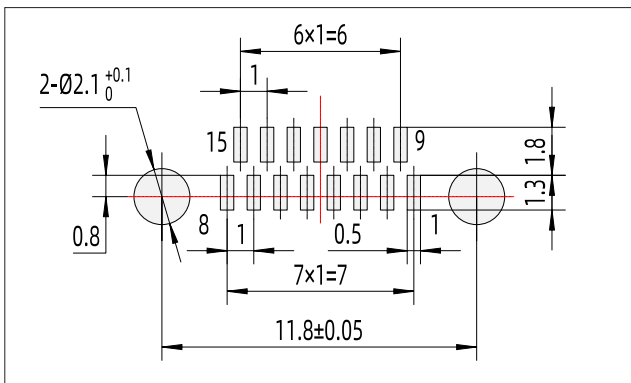
Connector-to-PCB Orientation View



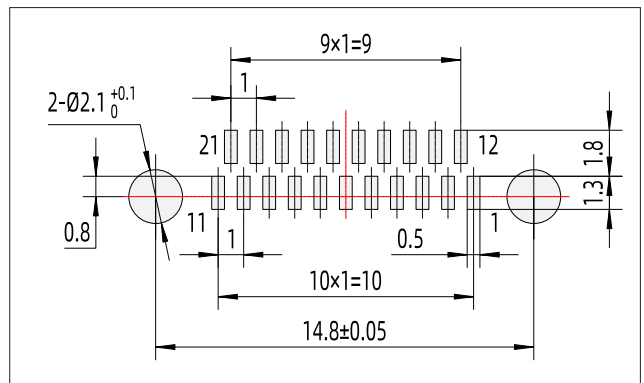
NMD-5PW4



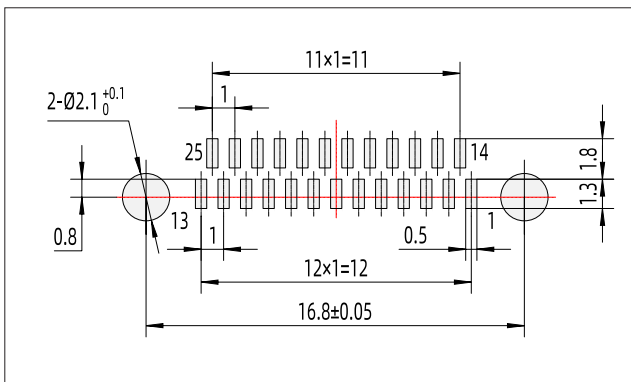
NMD-9PW4



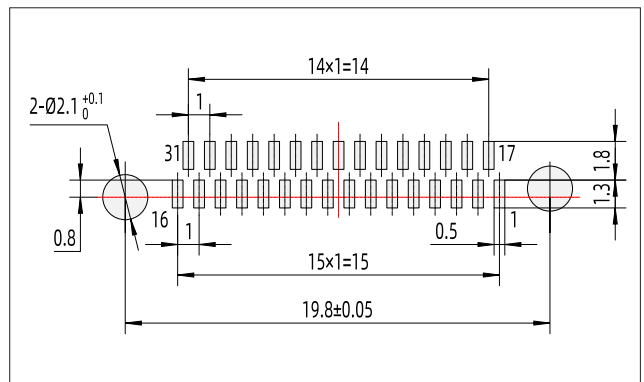
NMD-15PW4



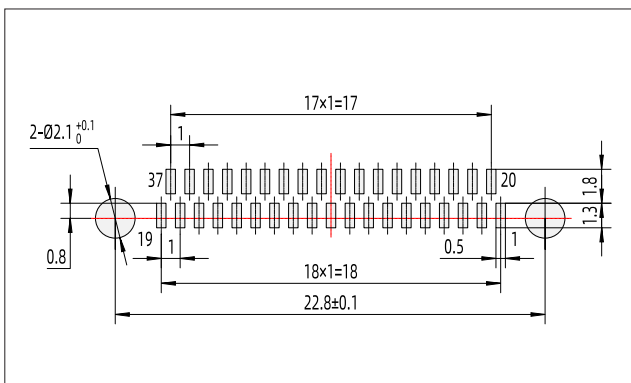
NMD-21PW4



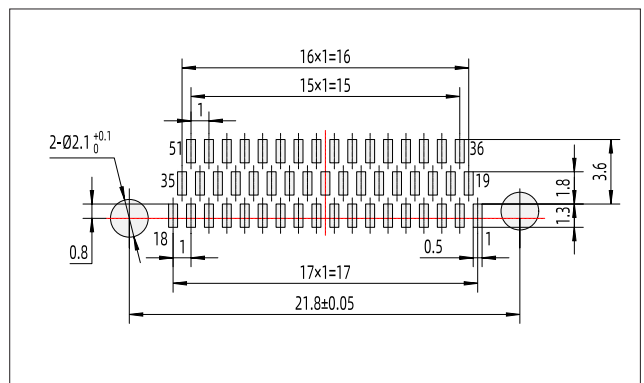
NMD-25PW4



NMD-31PW4



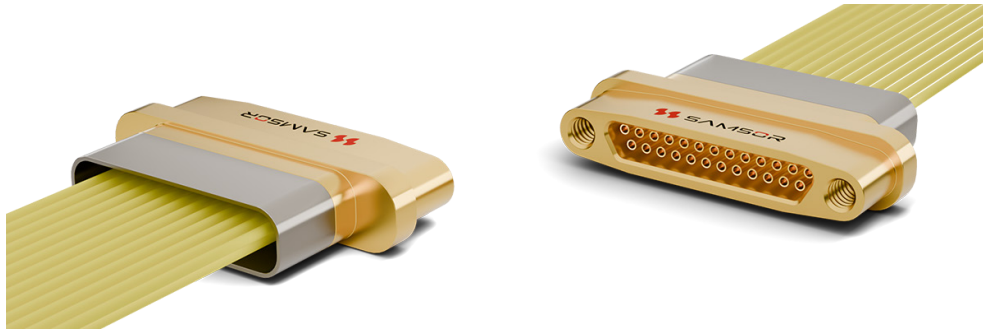
NMD-37PW4



NMD-51PW4

Pre-wired Receptacle-Hermetic-NMD-SM

NMD	-	25	S	M
-----	---	----	---	---

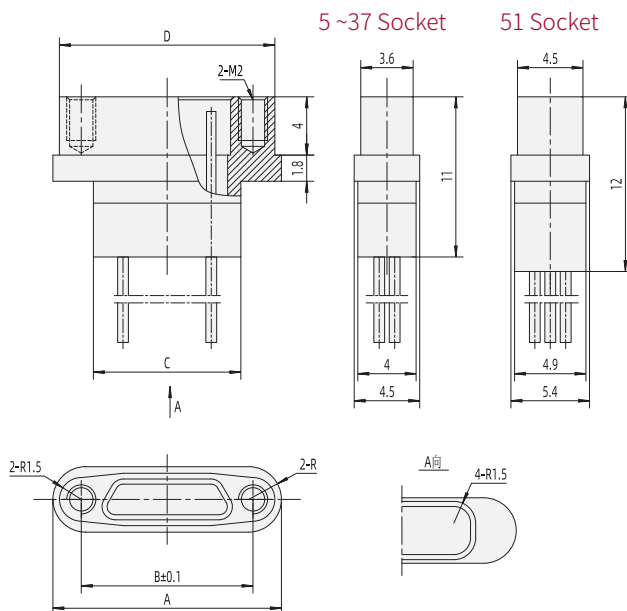
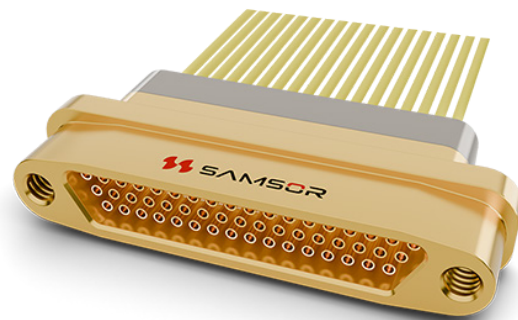
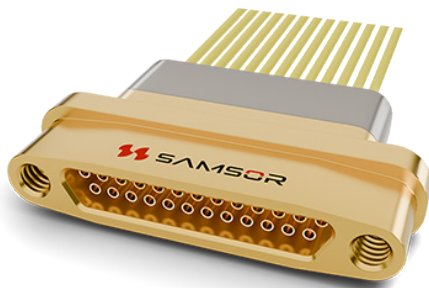


Series: NMD

Contact Layout: 5、9、15、21、25、31、37、51

Contact Type: S - Receptacle with socket

Shell modification: M - Hermetic type



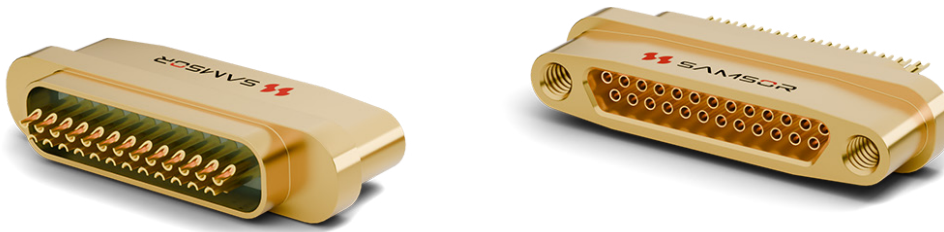
Type	A	B	C	D
NMD-5SM	10.7	6.8	5.13	9.8
NMD-9SM	12.7	8.8	7.13	11.8
NMD-15SM	15.7	11.8	10.13	14.8
NMD-21SM	18.7	14.8	13.13	17.8
NMD-25SM	20.7	16.8	15.13	19.8
NMD-31SM	23.7	19.8	18.13	22.8
NMD-37SM	26.7	22.8	21.13	25.8
NMD-51SM	25.7	21.8	20.13	24.8

NMD Series

BA-27

Solder Cup Receptacle-Hermetic-NMD-SMS

NMD	-	25	S	M	S
-----	---	----	---	---	---



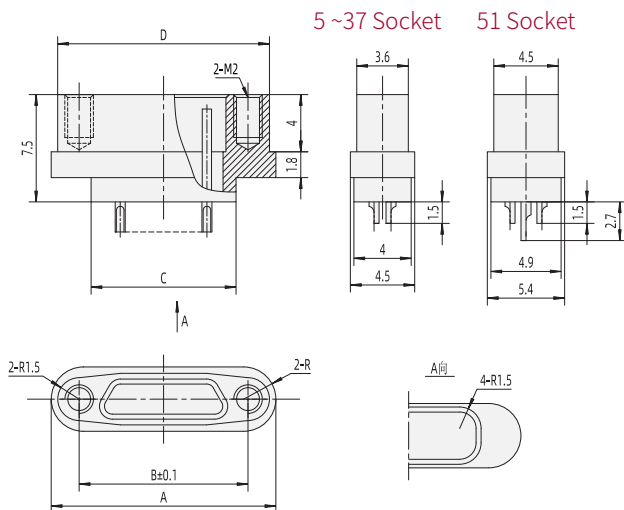
Series: NMD

Contact Layout: 5、9、15、21、25、31、37、51

Contact Type: S - Receptacle with socket

Shell modification: M - Hermetic type

Termination Type: S - Solder Cup

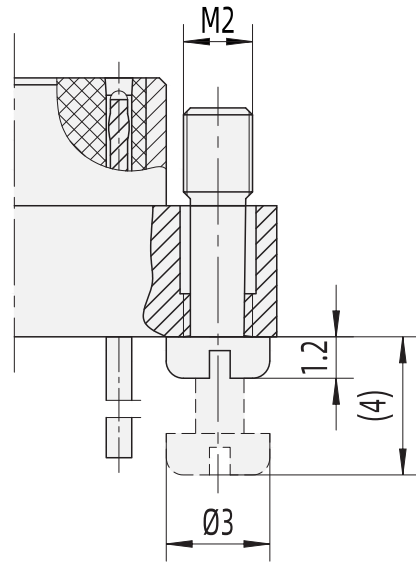
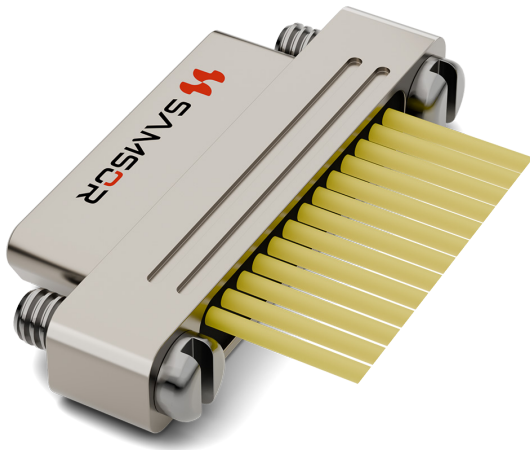


Type	A	B	C	D
NMD-5SMS	10.7	6.8	5.13	9.8
NMD-9SMS	12.7	8.8	7.13	11.8
NMD-15SMS	15.7	11.8	10.13	14.8
NMD-21SMS	18.7	14.8	13.13	17.8
NMD-25SMS	20.7	16.8	15.13	19.8
NMD-31SMS	23.7	19.8	18.13	22.8
NMD-37SMS	26.7	22.8	21.13	25.8
NMD-51SMS	25.7	21.8	20.13	24.8

NMD Series

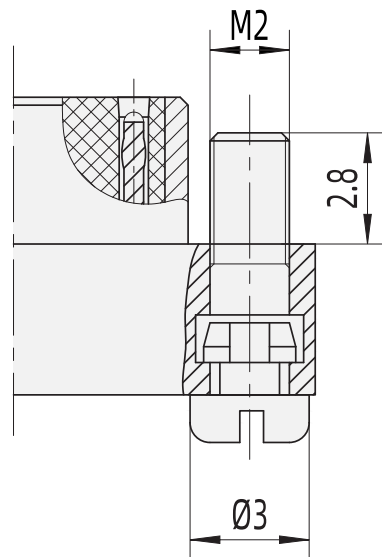
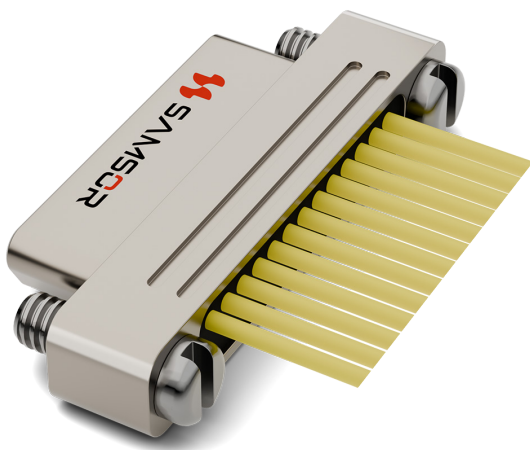
Hardware-Free End

L (For pin connectors)



Component Identifier	Instructions
L	Screw can move freely in axial direction

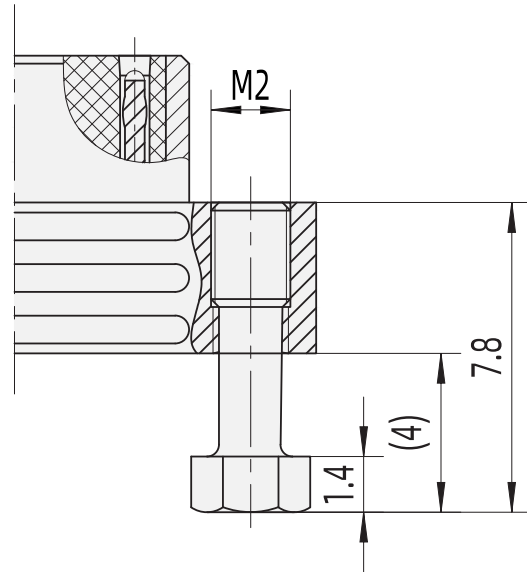
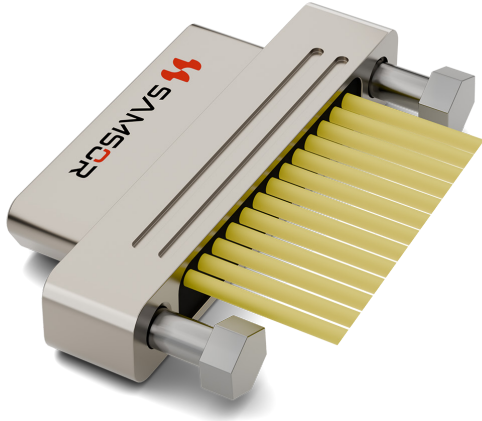
L1 (For pin connectors)



Component Identifier	Instructions
L1	Captive screw; screw cannot move freely in axial direction. Rotation enables mating and unmating of the connector

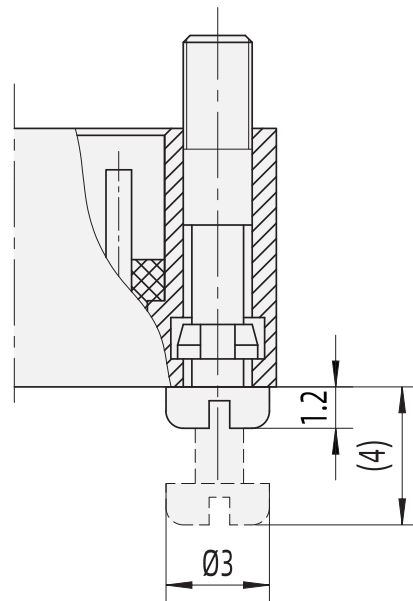
Hardware-Free End

L4 (For pin connectors)



Component Identifier	Instructions
L4	Hex head screw, screw can move freely in axial direction

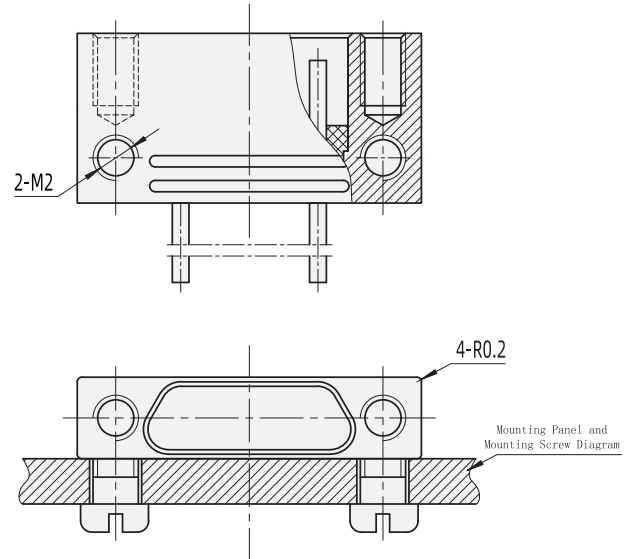
L5 (For socket connectors)



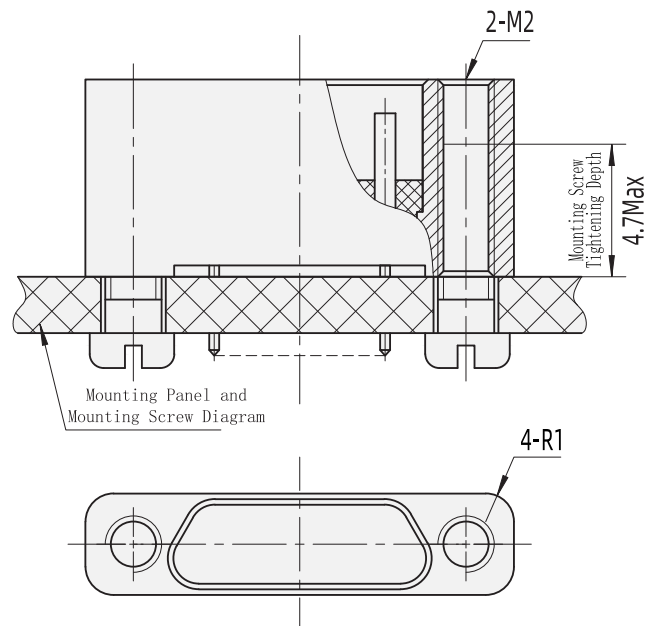
Component Identifier	Instructions
L5	Captive screw, screw can move freely in axial direction

Hardware-Fixed End

S1

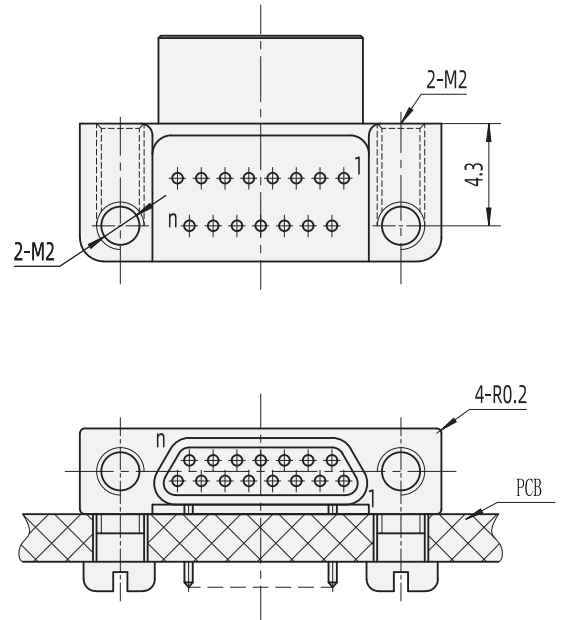
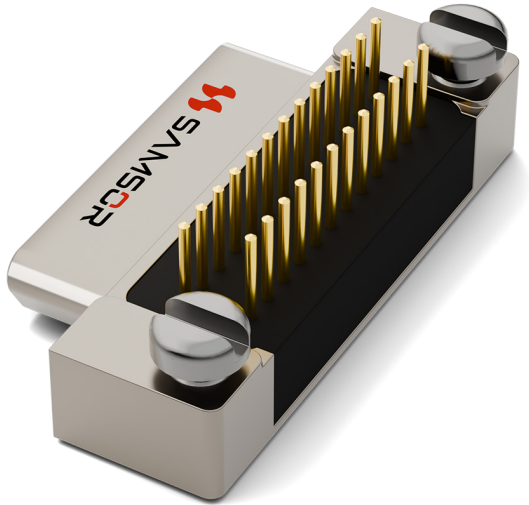


SN/SN1



Hardware-Fixed End

PW1



SW/SW1

