

# ND Series

## Nano-D Rectangular Electrical Connector



# Product Selection Guide

ND Series			
			
Pre-wired Plug	Pre-wired Plug	Pre-wired Plug	Horizontal Mount Pre-wired Plug
			
Pre-wired Receptacle	Pre-wired Receptacle	Horizontal Mount Pre-wired Receptacle	Pre-wired Plug with Backshell
			
Vertical Mount Pre-wired Plug with Backshell	Pre-wired Receptacle with Backshell	Vertical Mount Pre-wired Receptacle with Backshell	Vertical Surface Mount Plug
			
Vertical Surface Mount Receptacle	Horizontal Surface Mount Plug	Horizontal Surface Mount Receptacle	Right Angle PCB Plug
			
Right Angle PCB Plug	Right Angle PCB Receptacle	Right Angle PCB Receptacle	Vertical PCB Plug
			
Vertical PCB Plug	Vertical PCB Receptacle	Vertical PCB Receptacle	Straddle Surface Mount Plug
			
Straddle Surface Mount Plug	Straddle Surface Mount Receptacle	Straddle Surface Mount Receptacle	

## Product Characteristics

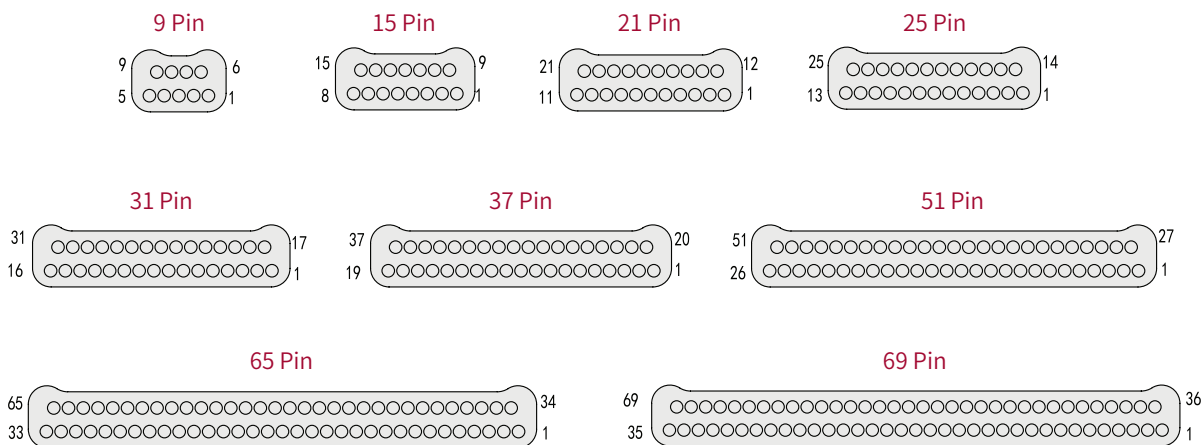
- This series of products includes 9、15、21、25、31、37、51、65、69 pin
- This series of products utilize micro and flexible contacts with a clearance of 0.635mm between them
- This series of products Suitable for the wire core cross-sectional area of 0.035mm<sup>2</sup>
- This series of products includes crimp wiring, soldering on PCB, and SMD on PCB

## Main Technical Characteristics

Operating temperature	-55°C ~ +125°C		
Relative humidity	≤ 95% under 40°C		
Vibration	10Hz ~ 2000Hz 196m/s <sup>2</sup>		
Shock	980m/s <sup>2</sup> 6ms		
Current rating	1 Amps per contact		
Contact resistance	≤ 21mΩ		
Insulation resistance	100V DC	≥ 5000MΩ	≥ 2000MΩ (cable assembly)
Dielectric strength	250V		
Durability	200 Mating Cycles min		

## Contact Arrangements

Face View Pin Connector



## How to order

ND	-	2	N	25	S	1	-	V	TH	-	x	x
----	---	---	---	----	---	---	---	---	----	---	---	---

**Series:** ND

**Contact Row:** 2 rows

**Shell Finish:**

- N - Plated with Nickel
- G - Plated with Cadmium
- S - Stainless steel shell

**Number Of Contacts:** 9、 15、 21、 25、 31、 37、 51、 65、 69

**Type Of Contacts:** P - pins                      S - sockets

**Tail Length:** 1 - 2.77mm      2 - 3.56mm      3 - 4.37mm

**Type Of Contact tail:**

- C - Crimping      CB - Crimp connector with backshell      CV - Crimping vertically mounted
- CH - Crimping horizontally mounted      BV - Vertical to PCB      BH - Right angle to PCB
- SV - Vertical SMT      SH - Horizontal SMT      SS - Straddle Mount

**Locking Hardware Type:**

- 00 - No hardware
- JC - Turning jackscrews, captivated #0-80( hexagon socket )
- JC1 - Turning jackscrews, captivated #0-80( straight slot )
- TH - Threaded hole #0-80 UNF

**Wire type:** W - 30AWG White                      Y - 30AWG Yellow                      T - 30AWG Ten Color Repeating

**Wire Length:** 10 - Wire Length in cm. "10" Specifies 10cm

## Crimp plug-with locking screws

ND	-	2	N	25	P	-	C	JC	-	W	10
----	---	---	---	----	---	---	---	----	---	---	----

Series: ND

Contact Row: 2 rows

Shell Finish: N - Electroless nickel    G - Cadmium    S - Stainless steel shell

Number Of Contacts: 9, 15, 21, 25, 31, 37, 51, 65, 69

Type Of Contacts: P - pins

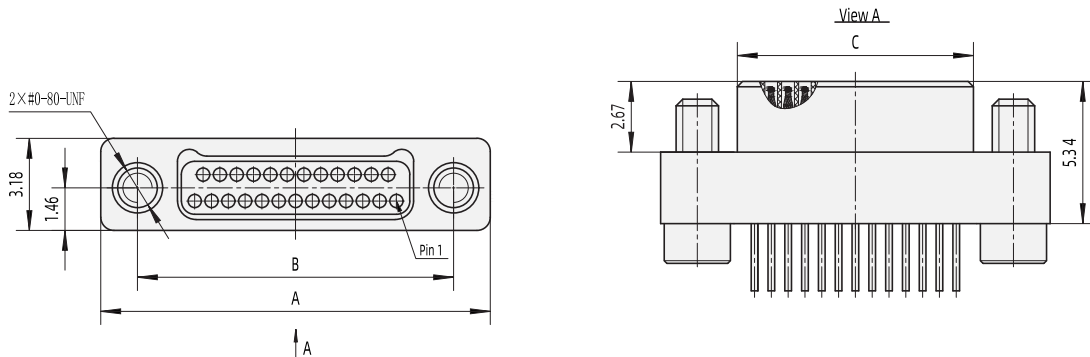
Type Of Contact tail: C - Crimping

Locking Hardware Type:

00 - No hardware    JC - Locking screw( hexagon socket )    JC1 - Locking screw( straight slot )

Wire type: W - 30AWG White    Y - 30AWG Yellow    T - 30AWG Ten Color Repeating

Wire Length: 10 - Wire Length in cm. "10" Specifies 10cm



Contacts	9	15	21	25	31	37	51	65	69
A	9.53	11.43	13.34	14.61	16.51	18.42	22.86	27.31	28.58
B	6.86	8.76	10.67	11.94	13.84	15.75	20.19	24.64	25.91
C	4.06	5.97	7.87	9.14	11.05	12.95	17.40	21.84	23.11

## Crimp plug-with coupling nut

ND	-	2	N	25	P	-	C	TH	-	W	10
----	---	---	---	----	---	---	---	----	---	---	----

Series: ND

Contact Row: 2 rows

Shell Finish: N - Electroless nickel    G - Cadmium    S - Stainless steel shell

Number Of Contacts: 9, 15, 21, 25, 31, 37, 51, 65, 69

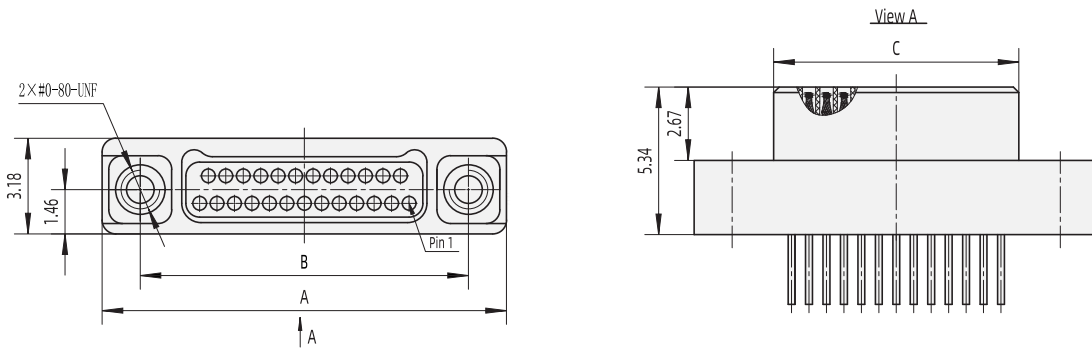
Type Of Contacts: P - pins

Type Of Contact tail: CH - Crimping horizontally mounted

Locking Hardware Type: TH - Threaded hole #0-80 UNF

Wire type: W - 30AWG White    Y - 30AWG Yellow    T - 30AWG Ten Color Repeating

Wire Length: 10 - Wire Length in cm. "10" Specifies 10cm



Contacts	9	15	21	25	31	37	51	65	69
A	9.53	11.43	13.34	14.61	16.51	18.42	22.86	27.31	28.58
B	6.86	8.76	10.67	11.94	13.84	15.75	20.19	24.64	25.91
C	4.06	5.97	7.87	9.14	11.05	12.95	17.40	21.84	23.11

### ND Series

Jan 2025, V1.0

Please visit the official website to download 3D models: [www.samsor.com](http://www.samsor.com)

## Crimp plug-vertically mounted

ND - 2 N 25 P - CV TH - W 10

Series: ND

Contact Row: 2 rows

Shell Finish: N - Electroless nickel G - Cadmium S - Stainless steel shell

Number Of Contacts: 9, 15, 21, 25, 31, 37, 51, 65, 69

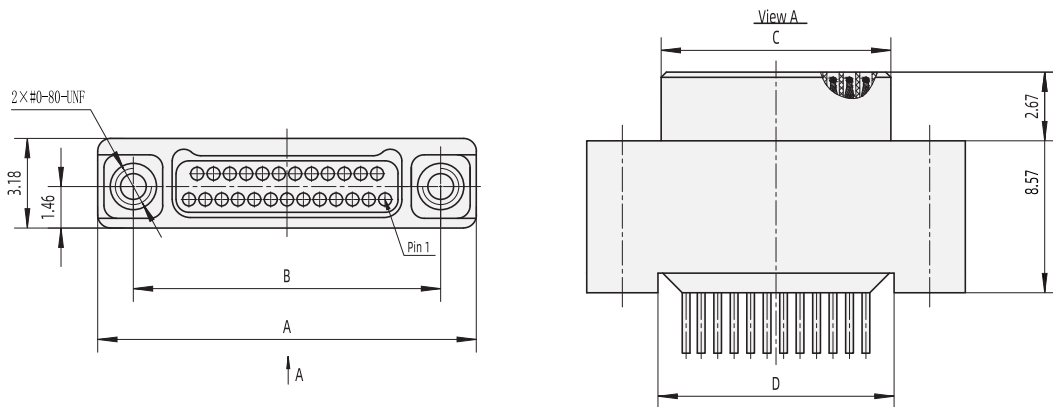
Type Of Contacts: P - pins

Type Of Contact tail: CV - Crimping vertically mounted

Locking Hardware Type: TH - Threaded hole #0-80 UNF

Wire type: W - 30AWG White Y - 30AWG Yellow T - 30AWG Ten Color Repeating

Wire Length: 10 - Wire Length in cm. "10" Specifies 10cm



Contacts	9	15	21	25	31	37	51	65	69
A	9.53	11.43	13.34	14.61	16.51	18.42	22.86	27.31	28.58
B	6.86	8.76	10.67	11.94	13.84	15.75	20.19	24.64	25.91
C	4.06	5.97	7.87	9.14	11.05	12.95	17.40	21.84	23.11
D	4.32	6.22	8.13	9.4	11.3	13.2	17.66	22.1	23.37

## Crimp plug-horizontally mounted

ND	-	2	N	25	P	-	CH	TH	-	W	10
----	---	---	---	----	---	---	----	----	---	---	----

Series: ND

Contact Row: 2 rows

Shell Finish: N - Electroless nickel    G - Cadmium    S - Stainless steel shell

Number Of Contacts: 9, 15, 21, 25, 31, 37, 51, 65, 69

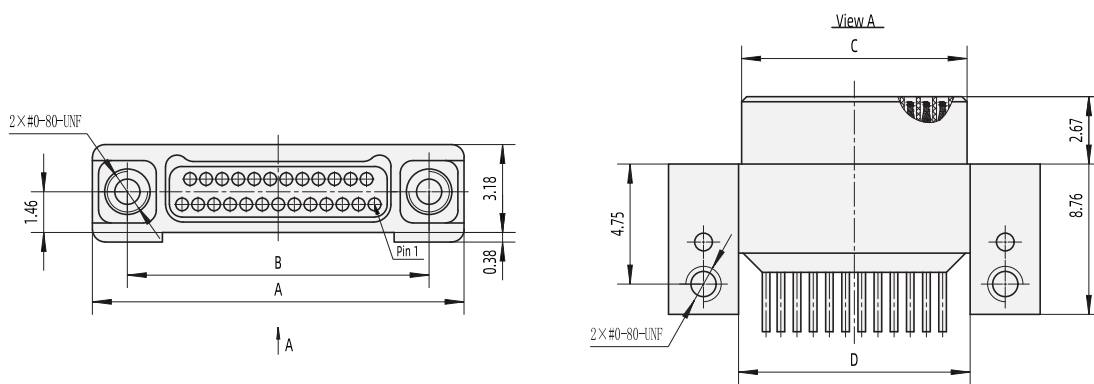
Type Of Contacts: P - pins

Type Of Contact tail: CH - Crimping horizontally mounted

Locking Hardware Type: TH - Threaded hole #0-80 UNF

Wire type: W - 30AWG White    Y - 30AWG Yellow    T - 30AWG Ten Color Repeating

Wire Length: 10 - Wire Length in cm. "10" Specifies 10cm



Contacts	9	15	21	25	31	37	51	65	69
A	9.53	11.43	13.34	14.61	16.51	18.42	22.86	27.31	28.58
B	6.86	8.76	10.67	11.94	13.84	15.75	20.19	24.64	25.91
C	4.06	5.97	7.87	9.14	11.05	12.95	17.40	21.84	23.11
D	4.32	6.22	8.13	9.4	11.3	13.21	17.66	22.1	23.37

### ND Series

Jan 2025, V1.0

Please visit the official website to download 3D models: [www.samsor.com](http://www.samsor.com)

## Crimp receptacle-with locking screws

ND - 2 N 25 S - C JC - W 10

**Series:** ND

**Contact Row:** 2 rows

**Shell Finish:** N - Electroless nickel    G - Cadmium    S - Stainless steel shell

**Number Of Contacts:** 9, 15, 21, 25, 31, 37, 51, 65, 69

**Type Of Contacts:** S - sockets

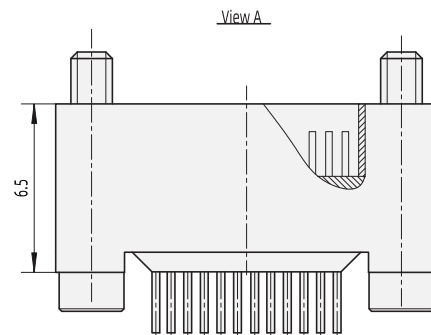
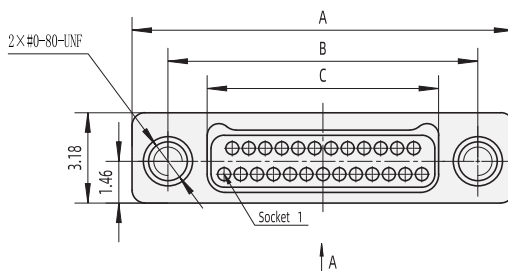
**Type Of Contact tail:** C - Crimping

**Locking Hardware Type:**

00 - No hardware    JC - Locking screw( hexagon socket )    JC1 - Locking screw( straight slot )

**Wire type:** W - 30AWG White    Y - 30AWG Yellow    T - 30AWG Ten Color Repeating

**Wire Length:** 10 - Wire Length in cm. "10" Specifies 10cm



Contacts	9	15	21	25	31	37	51	65	69
A	9.53	11.43	13.34	14.61	16.51	18.42	22.86	27.31	28.58
B	6.86	8.76	10.67	11.94	13.84	15.75	20.19	24.64	25.91
C	4.14	6.05	7.95	9.22	11.13	13.03	17.48	21.92	23.19

ND Series

AA-7

## Crimp receptacle-vertically mounted

ND	-	2	N	25	S	-	CV	TH	-	W	10
----	---	---	---	----	---	---	----	----	---	---	----

Series: ND

Contact Row: 2 rows

Shell Finish: N - Electroless nickel    G - Cadmium    S - Stainless steel shell

Number Of Contacts: 9, 15, 21, 25, 31, 37, 51, 65, 69

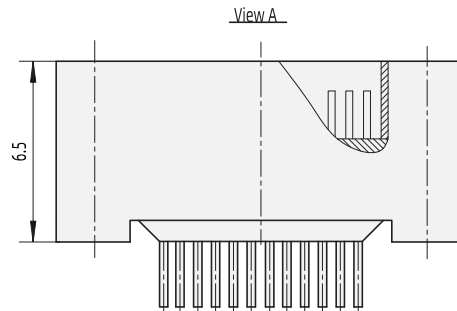
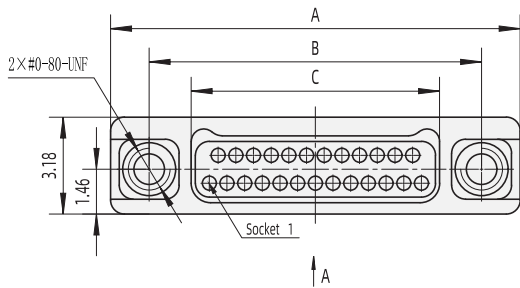
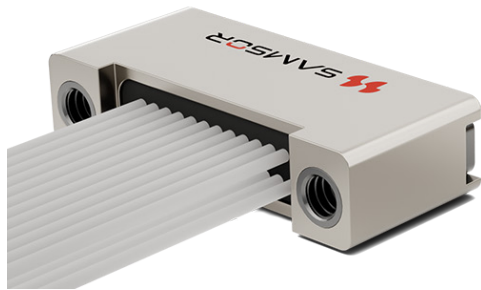
Type Of Contacts: S - sockets

Type Of Contact tail: CV - Crimping vertically mounted

Locking Hardware Type: TH - Threaded hole #0-80 UNF

Wire type: W - 30AWG White    Y - 30AWG Yellow    T - 30AWG Ten Color Repeating

Wire Length: 10 - Wire Length in cm. "10" Specifies 10cm



Contacts	9	15	21	25	31	37	51	65	69
A	9.53	11.43	13.34	14.61	16.51	18.42	22.86	27.31	28.58
B	6.86	8.76	10.67	11.94	13.84	15.75	20.19	24.64	25.91
C	4.14	6.05	7.95	9.22	11.13	13.03	17.48	21.92	23.19

### ND Series

Jan 2025, V1.0

Please visit the official website to download 3D models: [www.samsor.com](http://www.samsor.com)

## Crimp receptacle-horizontally mounted

ND - 2 N 25 S - CH TH - W 10

Series: ND

Contact Row: 2 rows

Shell Finish: N - Electroless nickel G - Cadmium S - Stainless steel shell

Number Of Contacts: 9, 15, 21, 25, 31, 37, 51, 65, 69

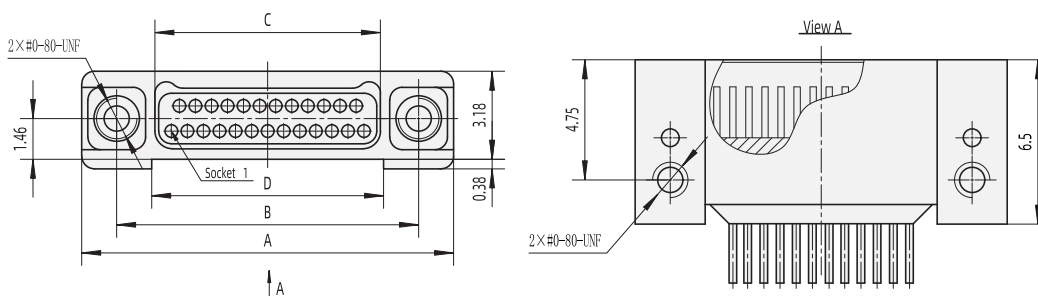
Type Of Contacts: S - sockets

Type Of Contact tail: CH - Crimping horizontally mounted

Locking Hardware Type: TH - Threaded hole #0-80 UNF

Wire type: W - 30AWG White Y - 30AWG Yellow T - 30AWG Ten Color Repeating

Wire Length: 10 - Wire Length in cm. "10" Specifies 10cm



Contacts	9	15	21	25	31	37	51	65	69
A	9.53	11.43	13.34	14.61	16.51	18.42	22.86	27.31	28.58
B	6.86	8.76	10.67	11.94	13.84	15.75	20.19	24.64	25.91
C	4.14	6.05	7.95	9.22	11.13	13.03	17.48	21.92	23.19

## Crimp plug-with backshell

ND	-	2	N	25	P	-	CB	JC	-	W	10	PF
----	---	---	---	----	---	---	----	----	---	---	----	----

Series: ND

Contact Row: 2 rows

Shell Finish: N - Electroless nickel    G - Cadmium    S - Stainless steel shell

Number Of Contacts: 9, 15, 21, 25, 31, 37, 51, 65, 69

Type Of Contacts: P - pins

Type Of Contact tail: CB - Crimp connector with backshell

Locking Hardware Type:

00 - No hardware    JC - Locking screw( hexagon socket )    JC1 - Locking screw( straight slot )

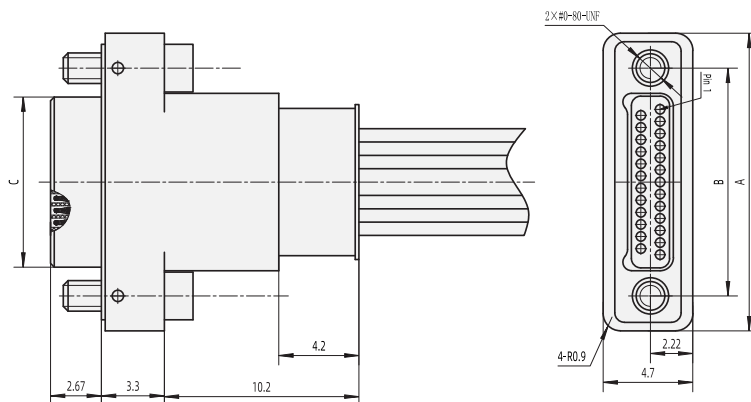
Wire type: W - 30AWG White    Y - 30AWG Yellow    T - 30AWG Ten Color Repeating

Wire Length: 10 - Wire Length in cm. "10" Specifies 10cm

Extended Type:

No Code - Standard Type    P-Shielding Mesh Sleeve

F - Nylon Braided Tubing    PF - Shielding Mesh Sleeve,with Nylon Braided Tubing



Contacts	9	15	21	25	31	37	51	65	69
A	9.53	11.43	13.34	14.61	16.51	18.42	22.86	27.31	28.58
B	6.86	8.76	10.67	11.94	13.84	15.75	20.19	24.64	25.91
C	4.06	5.97	7.87	9.14	11.05	12.95	17.40	21.84	23.11

### ND Series

Jan 2025, V1.0

Please visit the official website to download 3D models: [www.samsor.com](http://www.samsor.com)

## Crimp plug-with backshell

ND	-	2	N	25	P	-	CB	TH	-	W	10	PF
----	---	---	---	----	---	---	----	----	---	---	----	----

Series: ND

Contact Row: 2 rows

Shell Finish: N - Electroless nickel    G - Cadmium    S - Stainless steel shell

Number Of Contacts: 9, 15, 21, 25, 31, 37, 51, 65, 69

Type Of Contacts: P - pins

Type Of Contact tail: CB - Crimp connector with backshell

Locking Hardware Type:

TH - Threaded hole #0-80 UNF

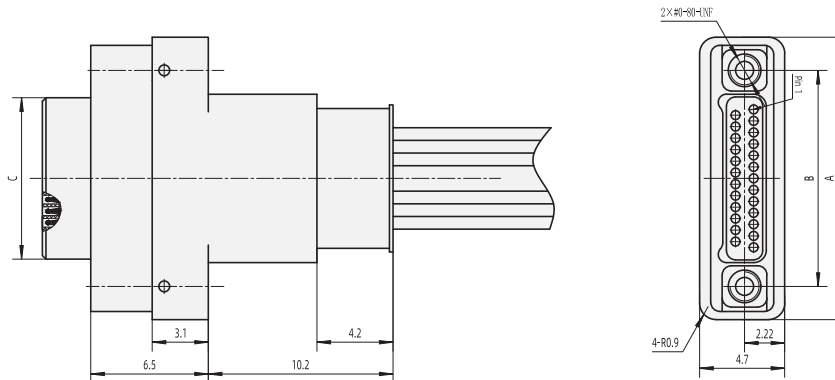
Wire type: W - 30AWG White    Y - 30AWG Yellow    T - 30AWG Ten Color Repeating

Wire Length: 10 - Wire Length in cm. "10" Specifies 10cm

Extended Type:

No Code - Standard Type    P - Shielding Mesh Sleeve

F - Nylon Braided Tubing    PF - Shielding Mesh Sleeve,with Nylon Braided Tubing



Contacts	9	15	21	25	31	37	51	65	69
A	9.53	11.43	13.34	14.61	16.51	18.42	22.86	27.31	28.58
B	6.86	8.76	10.67	11.94	13.84	15.75	20.19	24.64	25.91
C	4.14	6.05	7.95	9.22	11.13	13.03	17.48	21.92	23.19

## Crimp receptacle-with backshell

ND	-	2	N	25	S	-	CB	JC	-	W	10	PF
----	---	---	---	----	---	---	----	----	---	---	----	----

Series: ND

Contact Row: 2 rows

Shell Finish: N - Electroless nickel    G - Cadmium    S - Stainless steel shell

Number Of Contacts: 9, 15, 21, 25, 31, 37, 51, 65, 69

Type Of Contacts: S - sockets

Type Of Contact tail: CBS - Crimp connector with backshell

Locking Hardware Type:

00 - No hardware    JC - Locking screw( hexagon socket )    JC1 - Locking screw( straight slot )

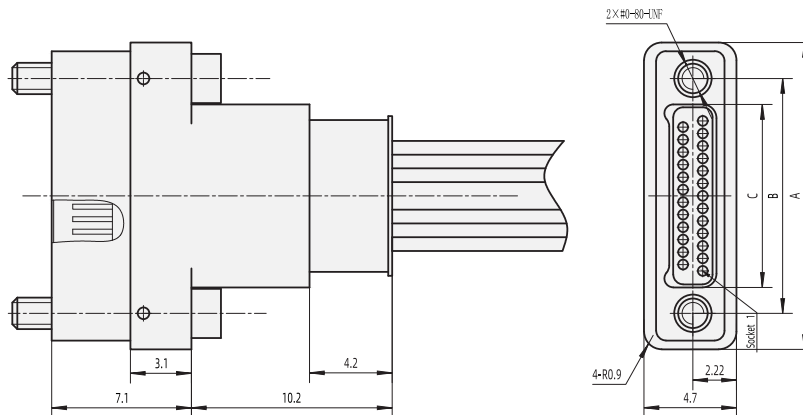
Wire type: W - 30AWG White    Y - 30AWG Yellow    T - 30AWG Ten Color Repeating

Wire Length: 10 - Wire Length in cm. "10" Specifies 10cm

Extended Type:

No Code - Standard Type    P - Shielding Mesh Sleeve

F - Nylon Braided Tubing    PF - Shielding Mesh Sleeve,with Nylon Braided Tubing



Contacts	9	15	21	25	31	37	51	65	69
A	9.53	11.43	13.34	14.61	16.51	18.42	22.86	27.31	28.58
B	6.86	8.76	10.67	11.94	13.84	15.75	20.19	24.64	25.91
C	4.14	6.05	7.95	9.22	11.13	13.03	17.48	21.92	23.19

### ND Series

Jan 2025, V1.0

Please visit the official website to download 3D models: [www.samsor.com](http://www.samsor.com)

## Crimp receptacle-with backshell

ND - 2 N 25 S - CB TH - W 10 PF

**Series:** ND

**Contact Row:** 2 rows

**Shell Finish:** N - Electroless nickel    G - Cadmium    S - Stainless steel shell

**Number Of Contacts:** 9, 15, 21, 25, 31, 37, 51, 65, 69

**Type Of Contacts:** S - sockets

**Type Of Contact tail:** CB - Crimp connector with backshell

**Locking Hardware Type:**

TH - Threaded hole #0-80 UNF

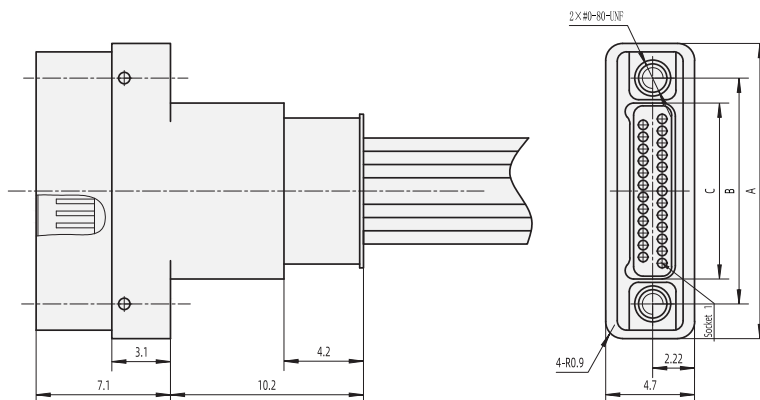
**Wire type:** W - 30AWG White    Y - 30AWG Yellow    T - 30AWG Ten Color Repeating

**Wire Length:** 10 - Wire Length in cm. "10" Specifies 10cm

**Extended Type:**

No Code - Standard Type    P - Shielding Mesh Sleeve

F - Nylon Braided Tubing    PF - Shielding Mesh Sleeve,with Nylon Braided Tubing



Contacts	9	15	21	25	31	37	51	65	69
A	9.53	11.43	13.34	14.61	16.51	18.42	22.86	27.31	28.58
B	6.86	8.76	10.67	11.94	13.84	15.75	20.19	24.64	25.91
C	4.14	6.05	7.95	9.22	11.13	13.03	17.48	21.92	23.19

## SMT plug-vertically mounted

ND	-	2	N	25	P	-	SV	TH
----	---	---	---	----	---	---	----	----

Series: ND

Contact Row: 2 rows

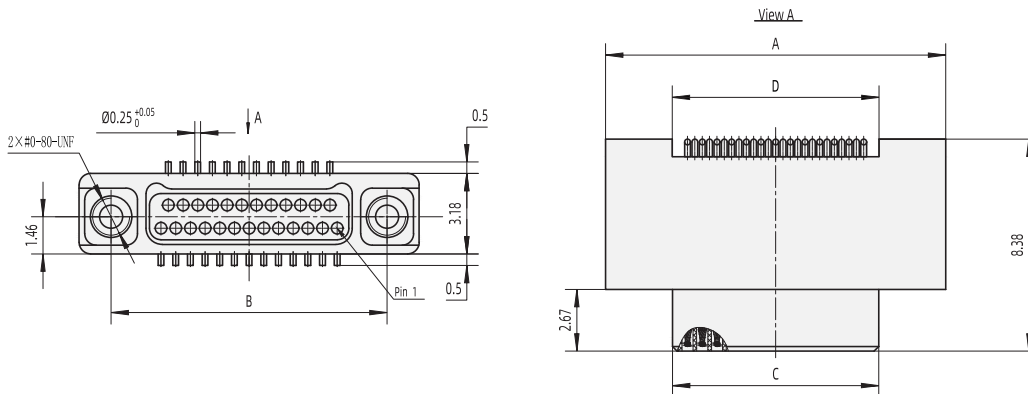
Shell Finish: N - Electroless nickel    G - Cadmium    S - Stainless steel shell

Number Of Contacts: 9, 15, 21, 25, 31, 37, 51, 65, 69

Type Of Contacts: P - pins

Type Of Contact tail: SV - Vertical SMT

Locking Hardware Type: TH - Threaded hole #0-80 UNF



Contacts	9	15	21	25	31	37	51	65	69
A	9.53	11.43	13.34	14.61	16.51	18.42	22.86	27.31	28.58
B	6.86	8.76	10.67	11.94	13.84	15.75	20.19	24.64	25.91
C	4.06	5.97	7.87	9.14	11.05	12.95	17.40	21.84	23.11
D	4.32	6.22	8.13	9.4	11.3	13.21	17.66	22.1	23.37

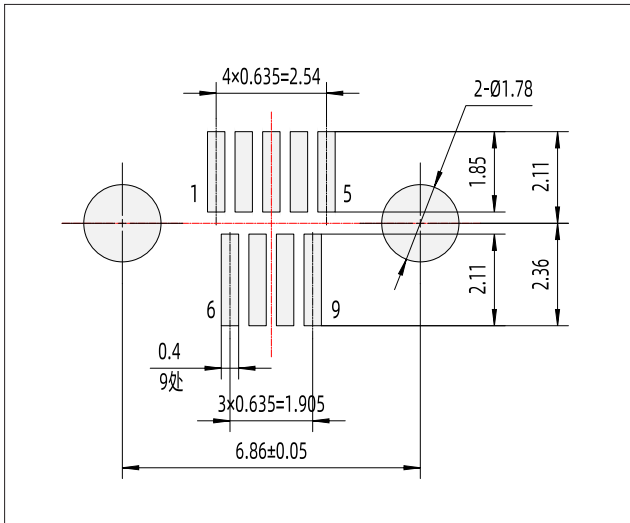
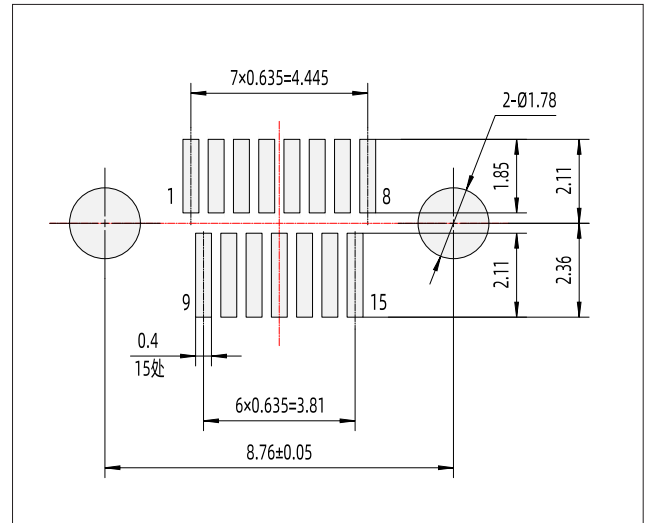
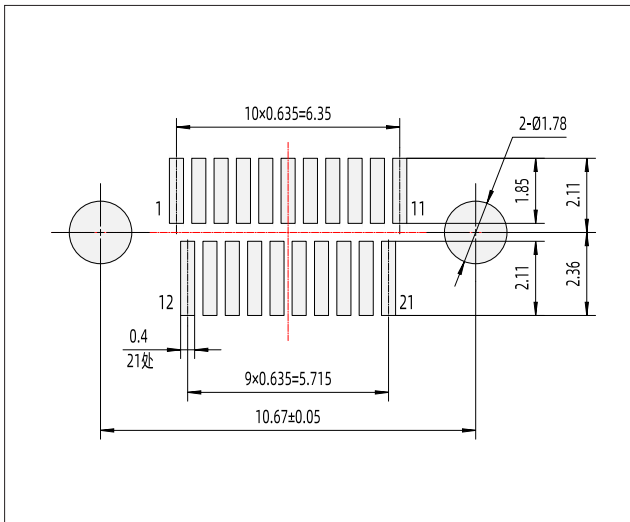
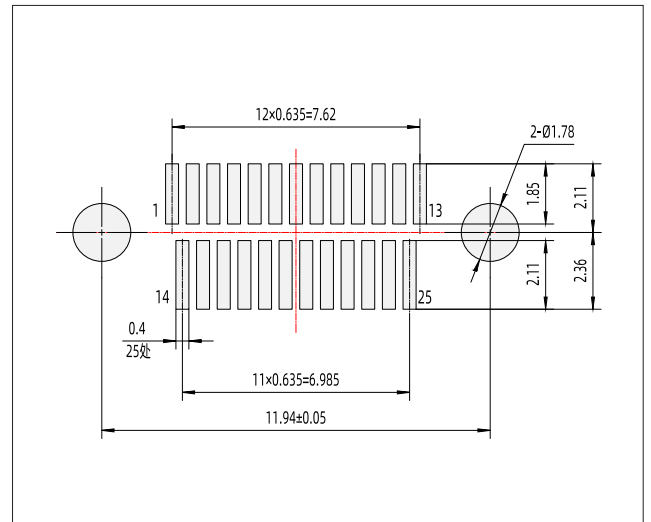
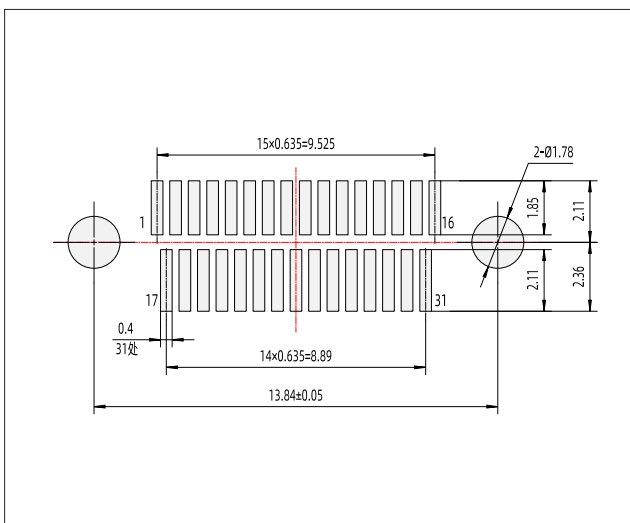
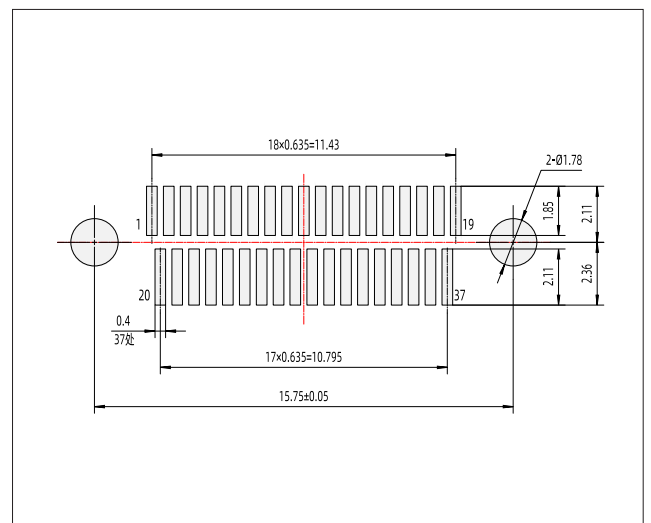
### ND Series

Jan 2025, V1.0

Please visit the official website to download 3D models: [www.samsor.com](http://www.samsor.com)

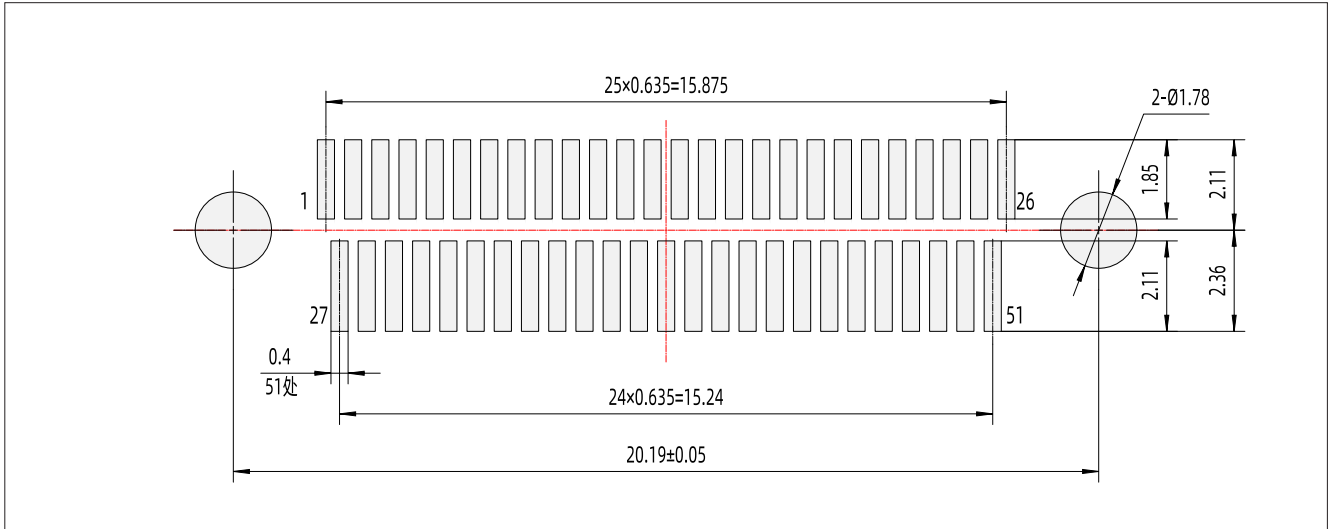
**ND-2NxxP-SVTH 印制板开孔尺寸**

连接器到印制板方向视图


**ND-2N9P-SV-TH**

**ND-2N15P-SV-TH**

**ND-2N21P-SV-TH**

**ND-2N25P-SV-TH**

**ND-2N31P-SV-TH**

**ND-2N37P-SV-TH**

**ND-2NxxP-SVTH 印制板开孔尺寸**

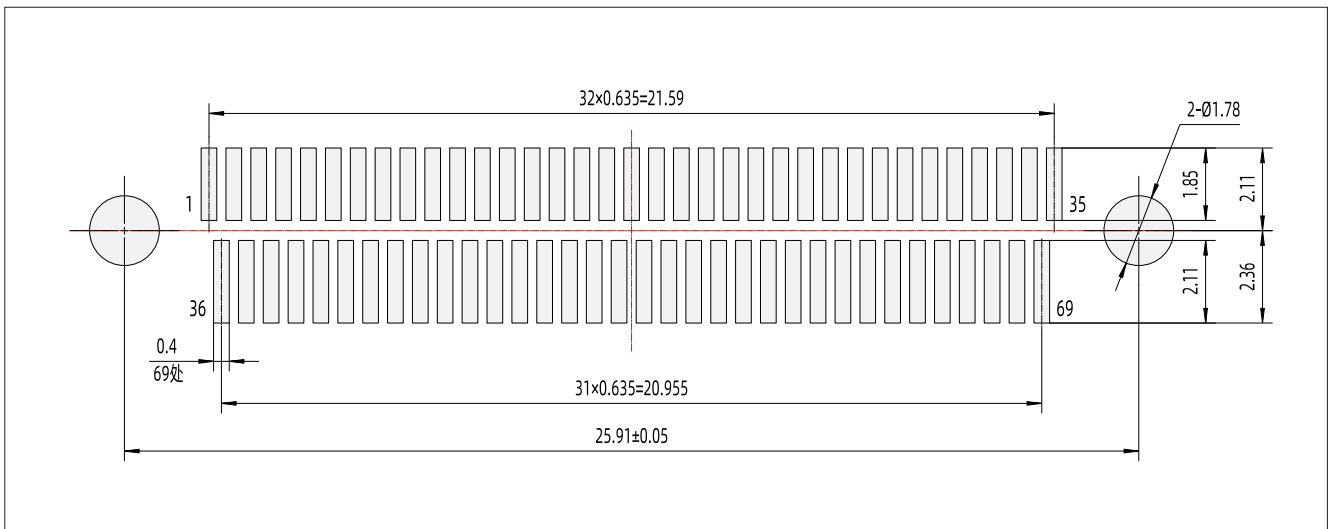
连接器到印制板方向视图



**ND-2N51P-SV-TH**



**ND-2N65P-SV-TH**



**ND-2N69P-SV-TH**

## SMT receptacle-vertically mounted

ND	-	2	N	25	S	-	SV	TH
----	---	---	---	----	---	---	----	----

Series: ND

Contact Row: 2 rows

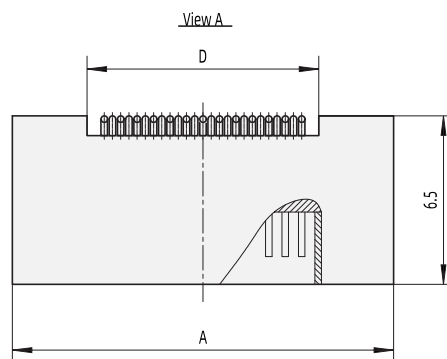
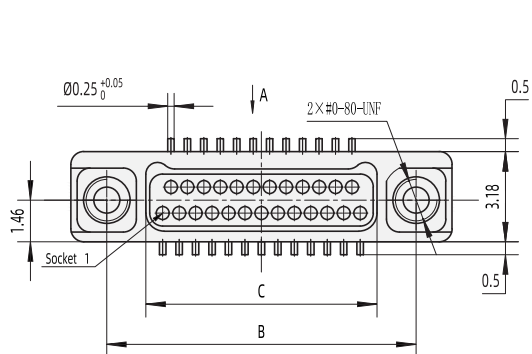
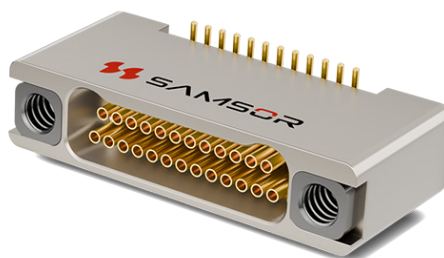
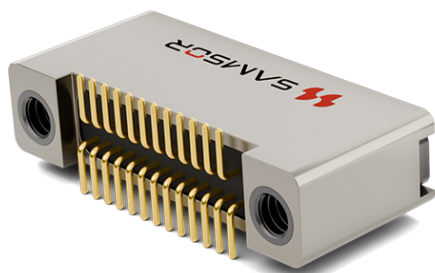
Shell Finish: N - Electroless nickel    G - Cadmium    S - Stainless steel shell

Number Of Contacts: 9, 15, 21, 25, 31, 37, 51, 65, 69

Type Of Contacts: S - sockets

Type Of Contact tail: SV - Vertical SMT

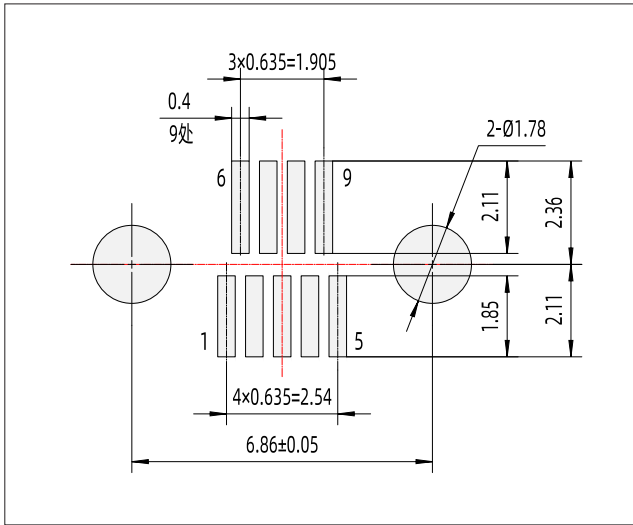
Locking Hardware Type: TH - Threaded hole #0-80 UNF



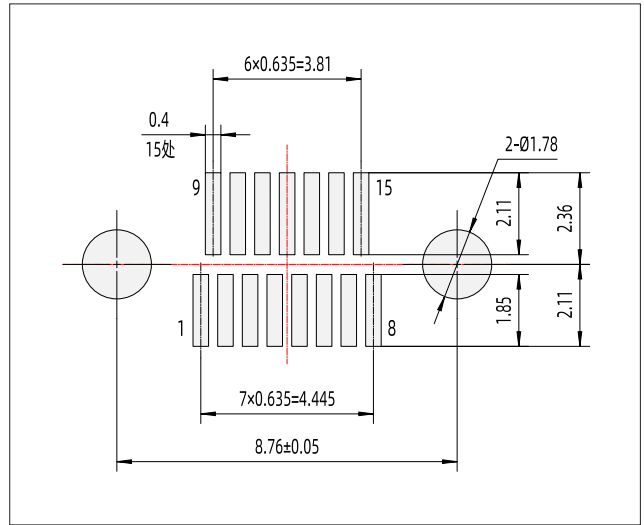
Contacts	9	15	21	25	31	37	51	65	69
A	9.53	11.43	13.34	14.61	16.51	18.42	22.86	27.31	28.58
B	6.86	8.76	10.67	11.94	13.84	15.75	20.19	24.64	25.91
C	4.14	6.05	7.95	9.22	11.13	13.03	17.48	21.92	23.19
D	4.32	6.22	8.13	9.4	11.3	13.21	17.66	22.1	23.37

**ND-2NxxS-SVTH 印制板开孔尺寸**

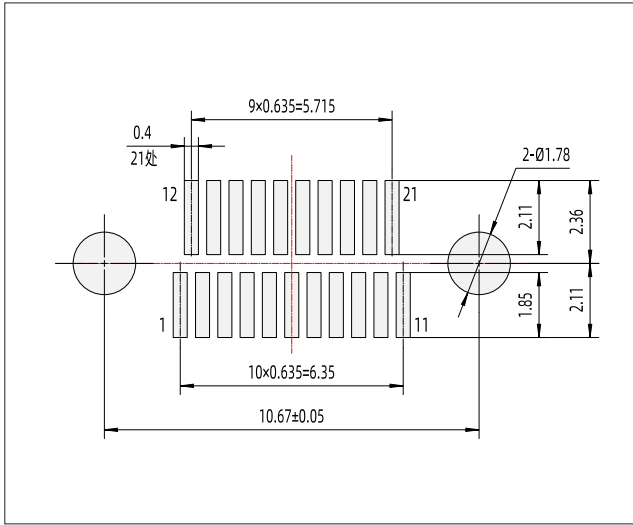
连接器到印制板方向视图



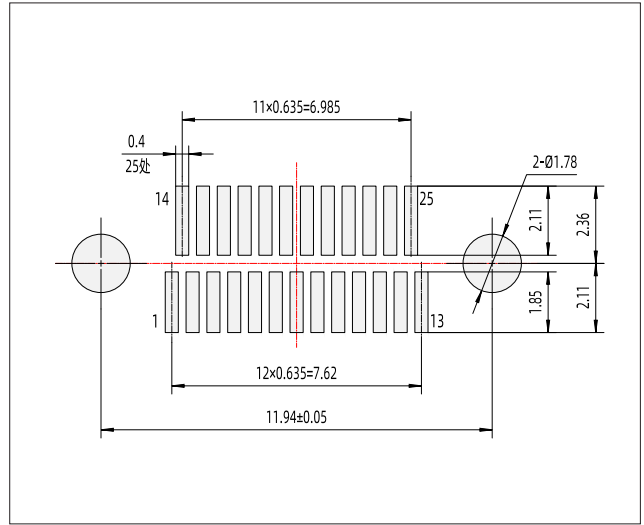
**ND-2N9S-SV-TH**



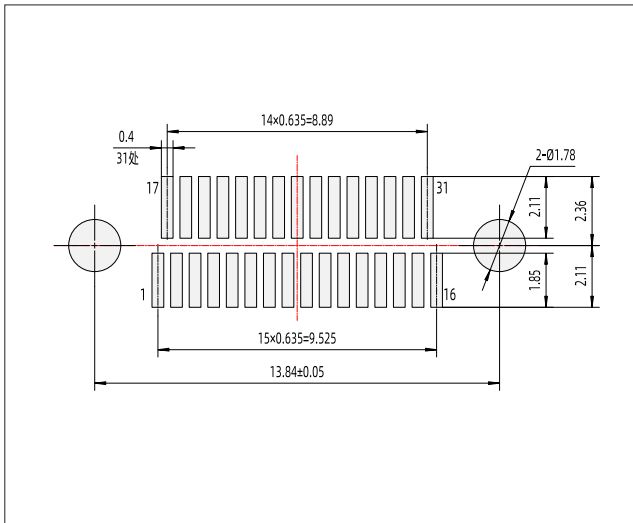
**ND-2N15S-SV-TH**



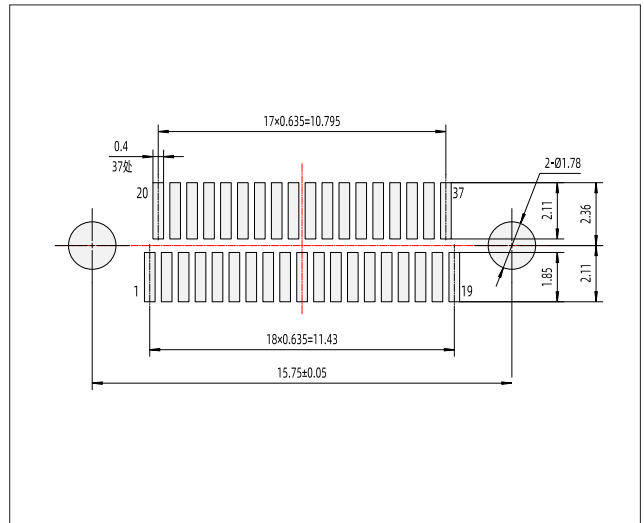
**ND-2N21S-SV-TH**



**ND-2N25S-SV-TH**



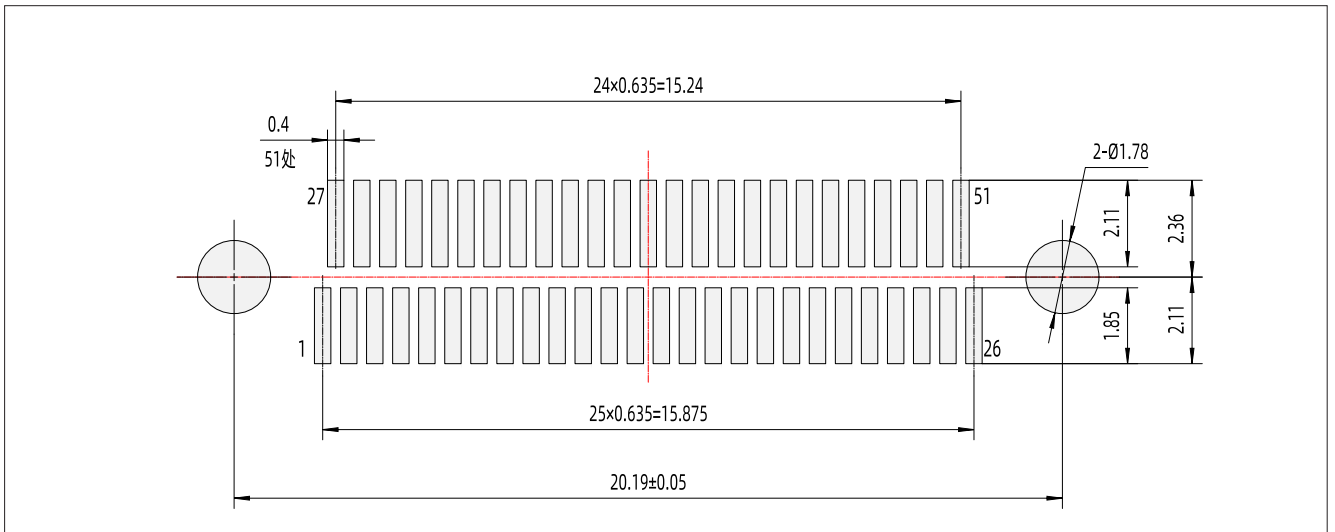
**ND-2N31S-SV-TH**



**ND-2N37S-SV-TH**

**ND-2NxxS-SVTH 印制板开孔尺寸**

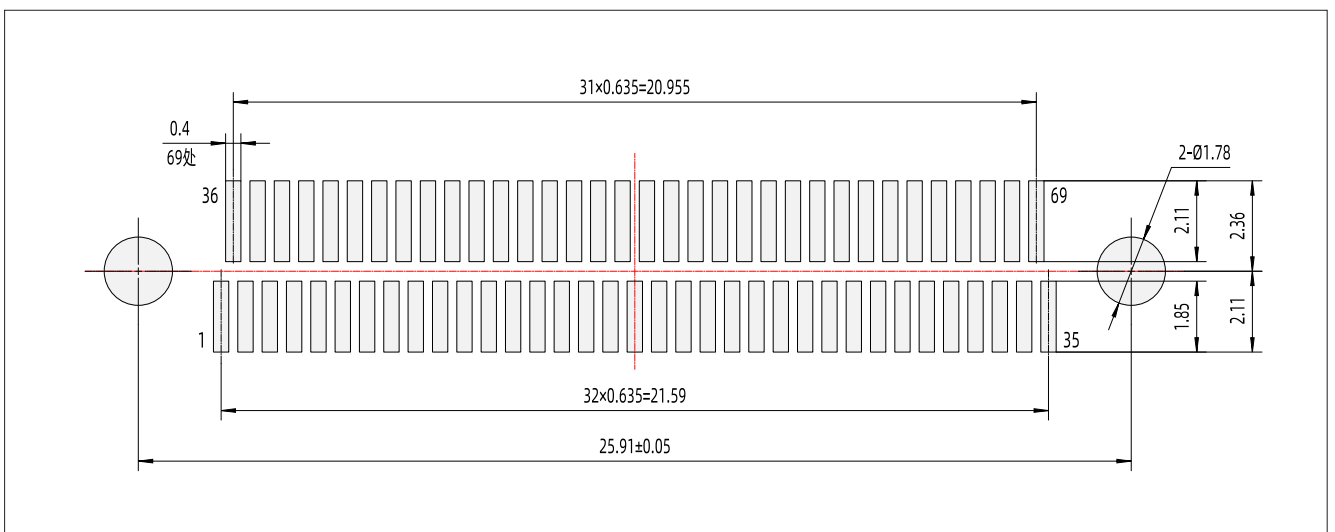
连接器到印制板方向视图



**ND-2N51S-SV-TH**



**ND-2N65S-SV-TH**



**ND-2N69S-SV-TH**

## SMT plug-horizontally mounted

ND	-	2	N	25	P	-	SH	TH
----	---	---	---	----	---	---	----	----

Series: ND

Contact Row: 2 rows

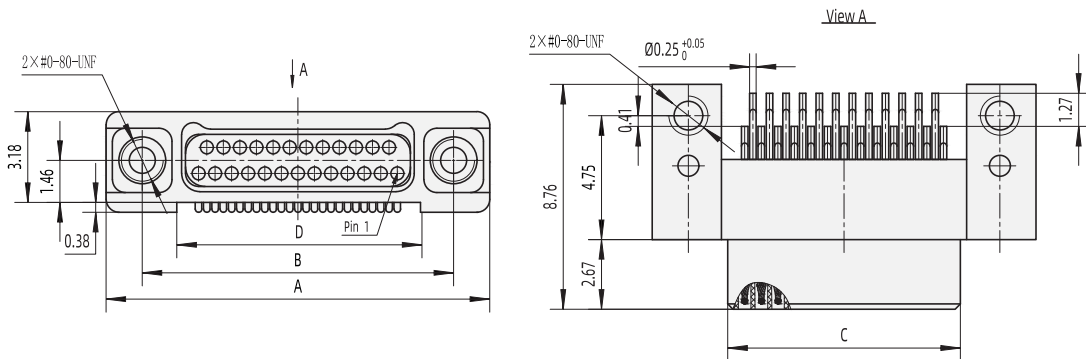
Shell Finish: N - Electroless nickel    G - Cadmium    S - Stainless steel shell

Number Of Contacts: 9, 15, 21, 25, 31, 37, 51, 65, 69

Type Of Contacts: P - pins

Type Of Contact tail: SH - Horizontal SMT

Locking Hardware Type: TH - Threaded hole #0-80 UNF



Contacts	9	15	21	25	31	37	51	65	69
A	9.53	11.43	13.34	14.61	16.51	18.42	22.86	27.31	28.58
B	6.86	8.76	10.67	11.94	13.84	15.75	20.19	24.64	25.91
C	4.06	5.97	7.87	9.14	11.05	12.95	17.40	21.84	23.11
D	4.32	6.22	8.13	9.4	11.3	13.21	17.66	22.1	23.37

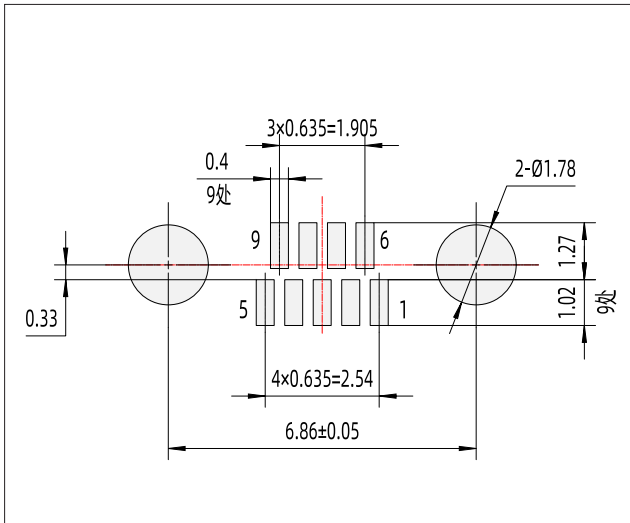
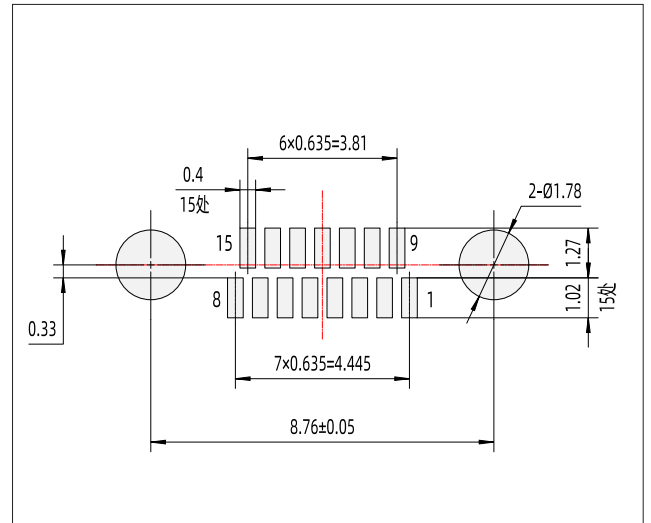
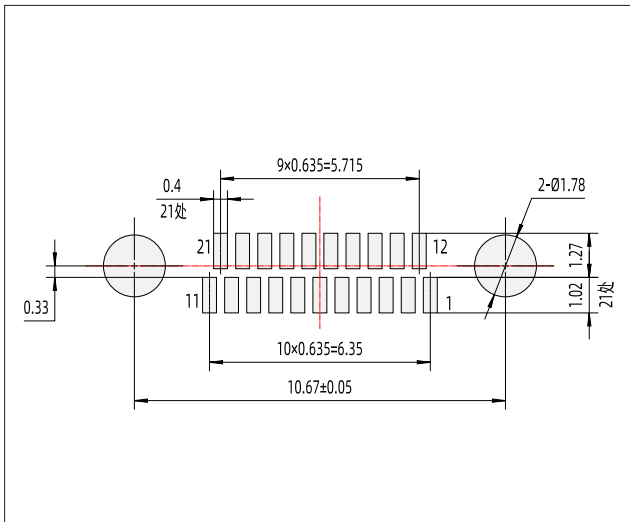
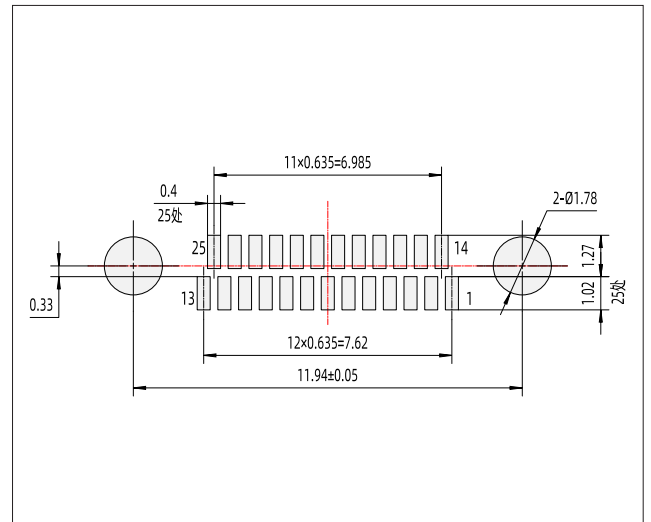
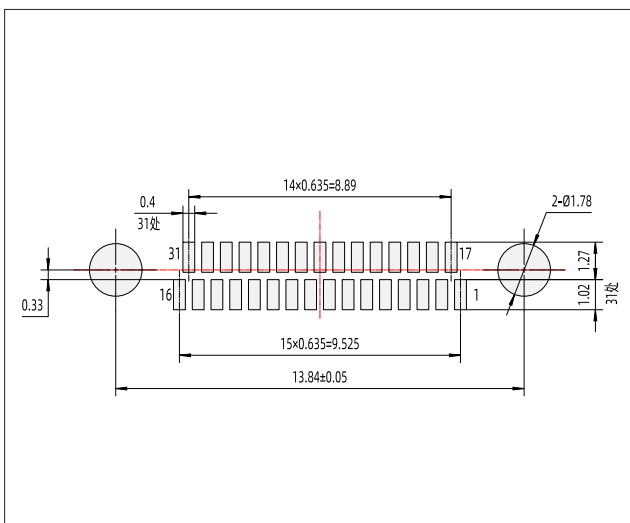
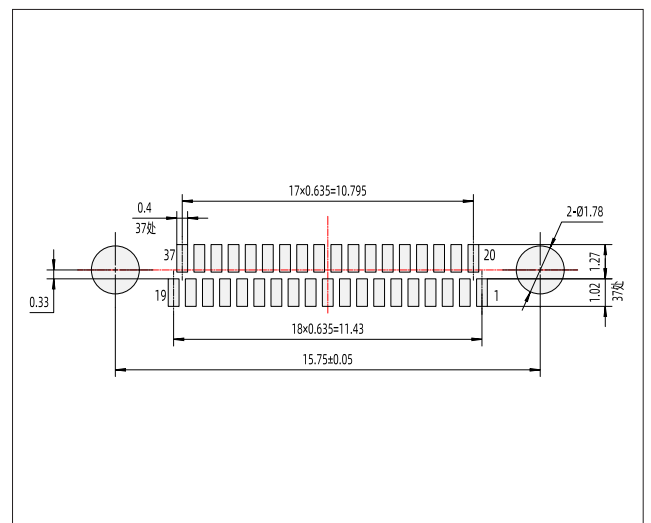
### ND Series

Jan 2025, V1.0

Please visit the official website to download 3D models: [www.samsor.com](http://www.samsor.com)

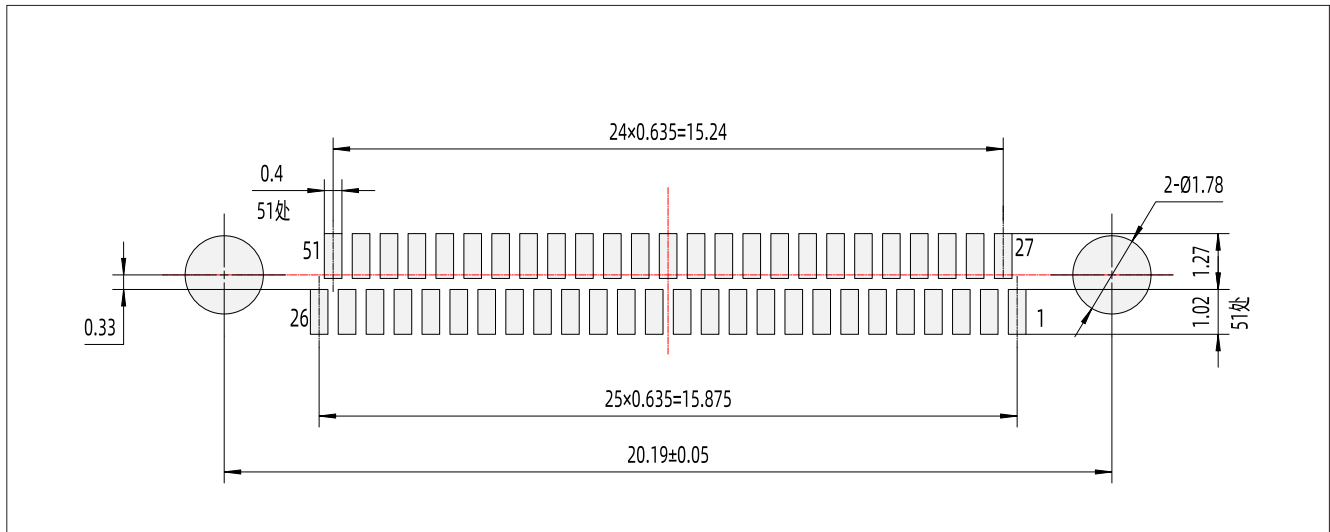
**ND-2NxxP-SHTH 印制板开孔尺寸**

连接器到印制板方向视图

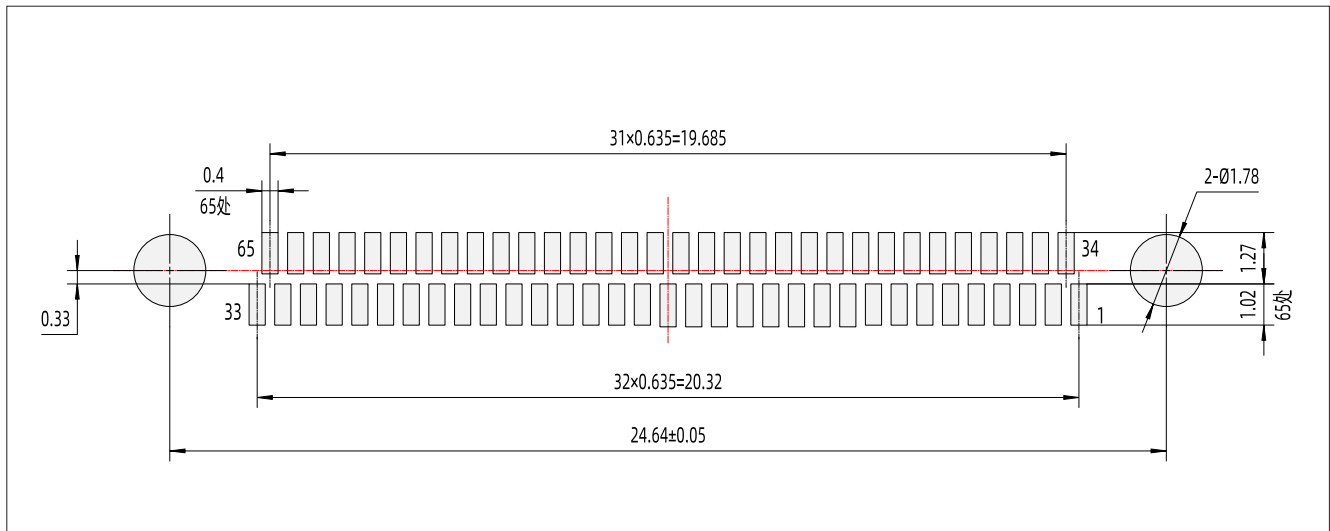

**ND-2N9P-SH-TH**

**ND-2N15P-SH-TH**

**ND-2N21P-SH-TH**

**ND-2N25P-SH-TH**

**ND-2N31P-SH-TH**

**ND-2N37P-SH-TH**

**ND-2NxxP-SHTH 印制板开孔尺寸**

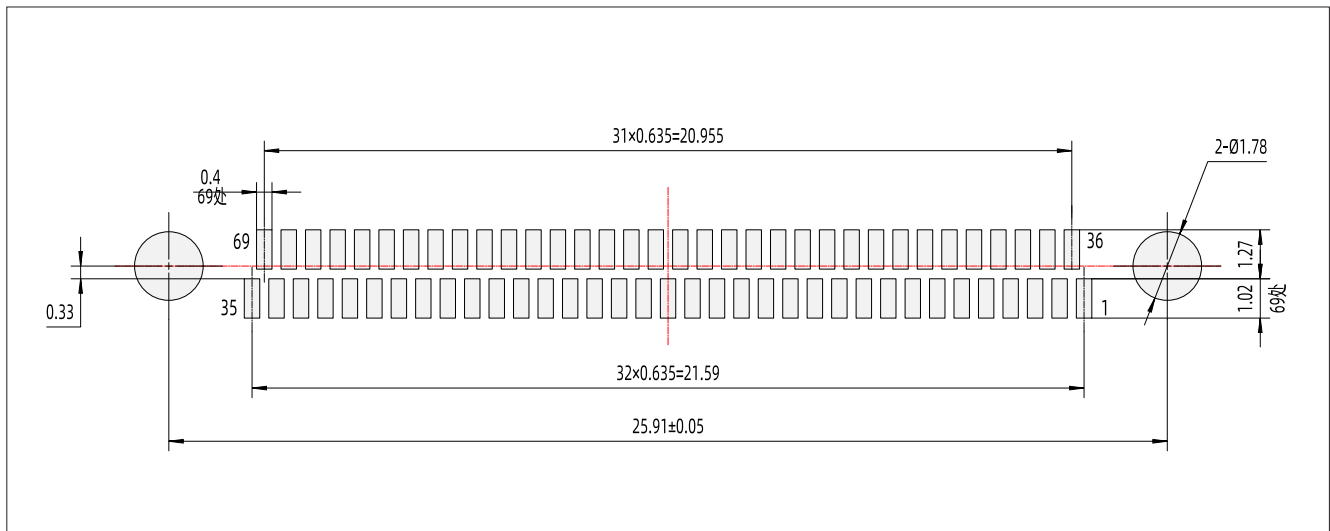
连接器到印制板方向视图



**ND-2N51P-SH-TH**



**ND-2N65P-SH-TH**



**ND-2N69P-SH-TH**

## SMT receptacle-horizontally mounted

ND	-	2	N	25	S	-	SH	TH
----	---	---	---	----	---	---	----	----

Series: ND

Contact Row: 2 rows

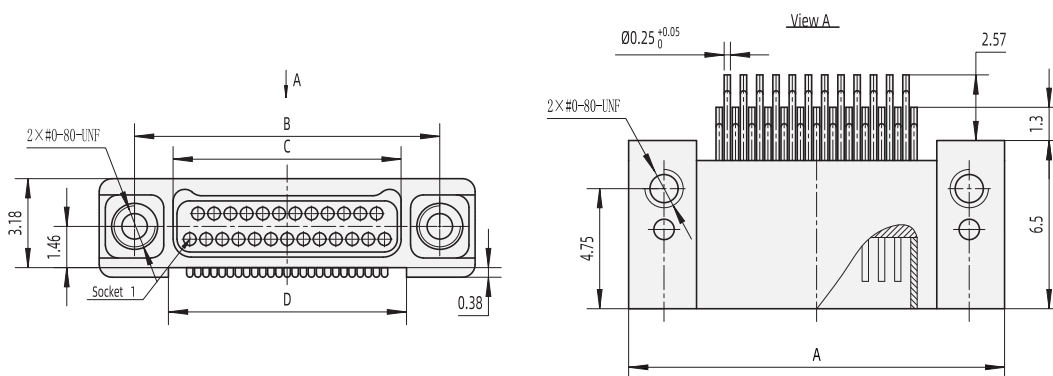
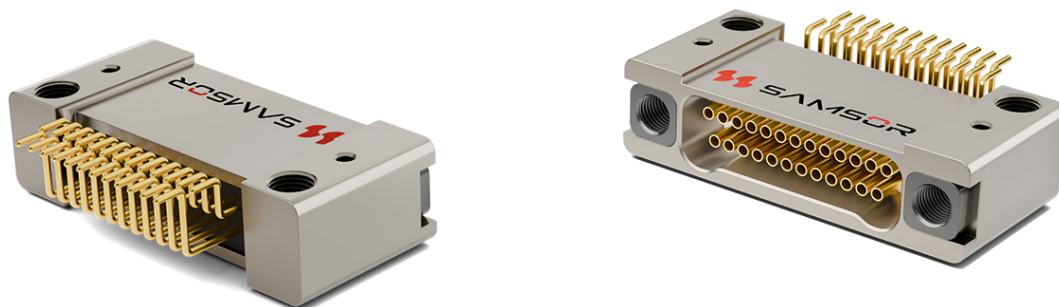
Shell Finish: N - Electroless nickel    G - Cadmium    S - Stainless steel shell

Number Of Contacts: 9, 15, 21, 25, 31, 37, 51, 65, 69

Type Of Contacts: S - sockets

Type Of Contact tail: SH - Horizontal SMT

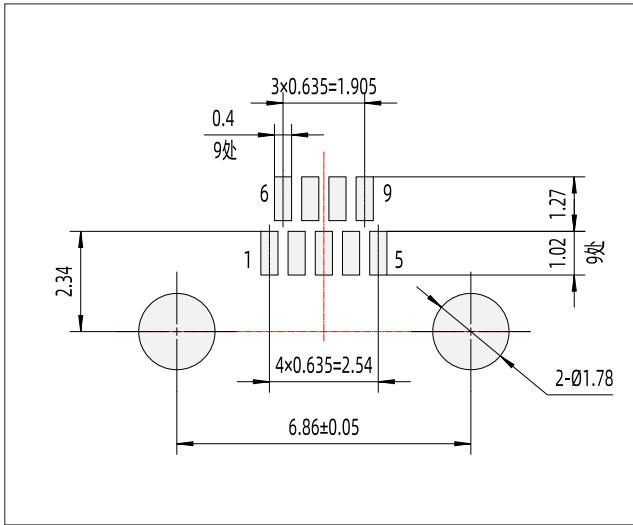
Locking Hardware Type: TH - Threaded hole #0-80 UNF



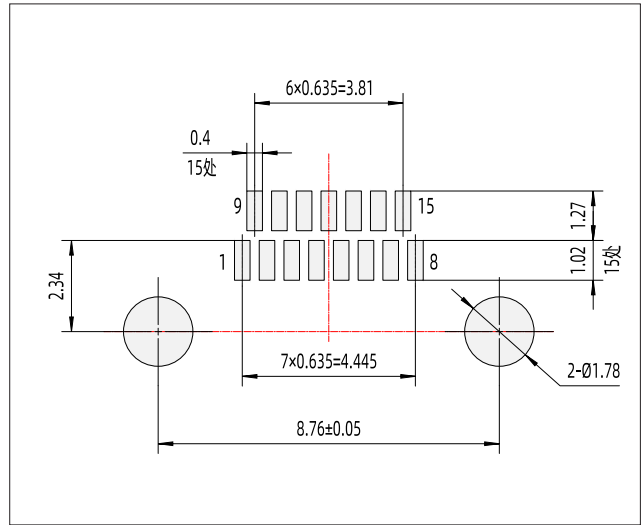
Contacts	9	15	21	25	31	37	51	65	69
A	9.53	11.43	13.34	14.61	16.51	18.42	22.86	27.31	28.58
B	6.86	8.76	10.67	11.94	13.84	15.75	20.19	24.64	25.91
C	4.14	6.05	7.95	9.22	11.13	13.03	17.48	21.92	23.19
D	4.32	6.22	8.13	9.4	11.3	13.21	17.66	22.1	23.37

**ND-2NxxS-SHTH 印制板开孔尺寸**

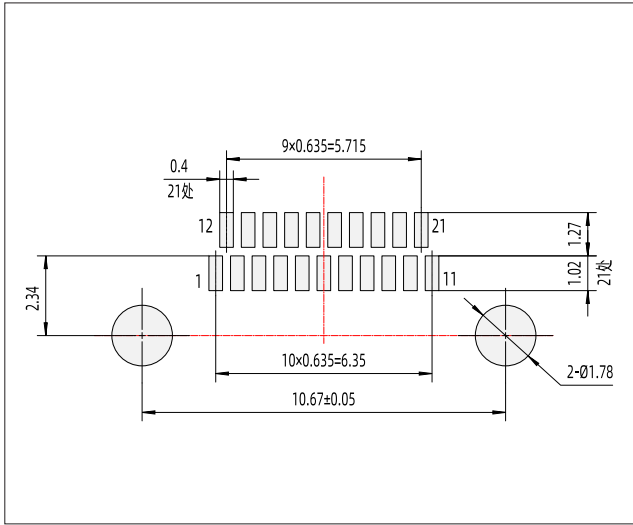
连接器到印制板方向视图



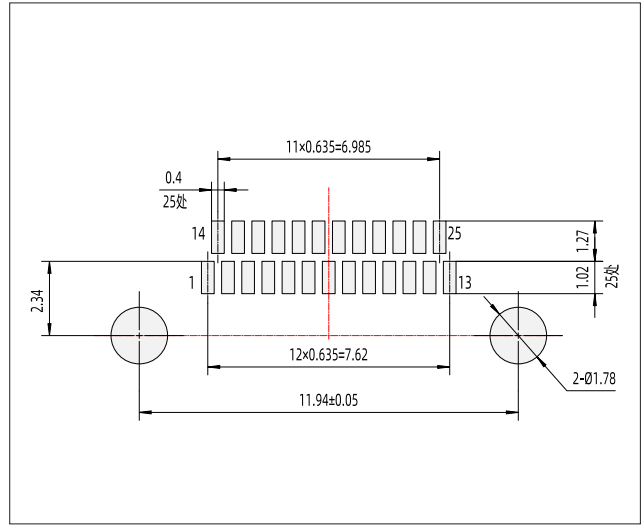
**ND-2N9S-SH-TH**



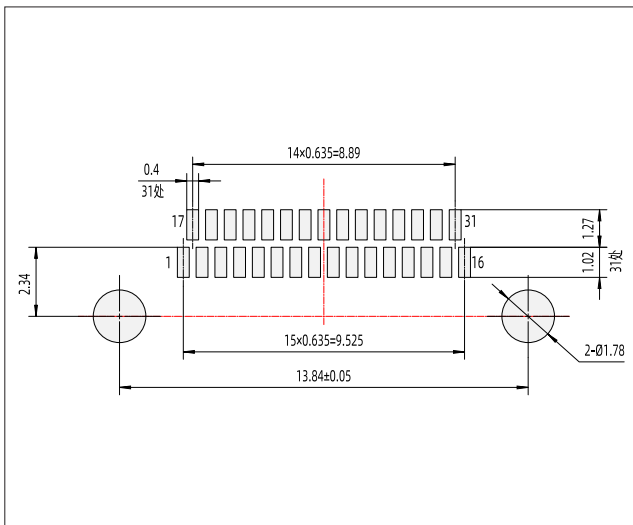
**ND-2N15S-SH-TH**



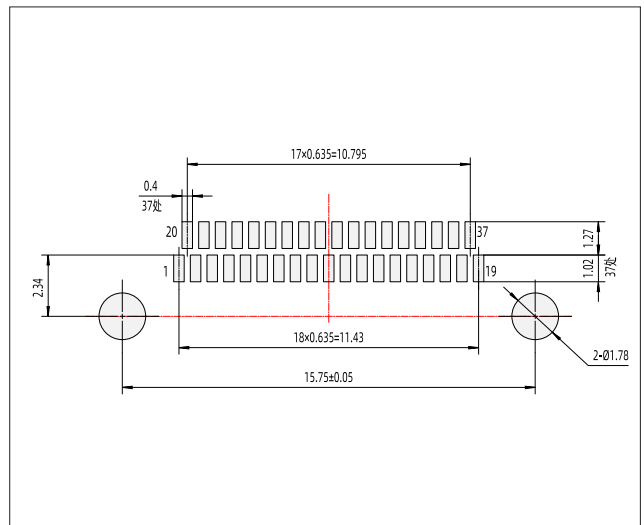
**ND-2N21S-SH-TH**



**ND-2N25S-SH-TH**



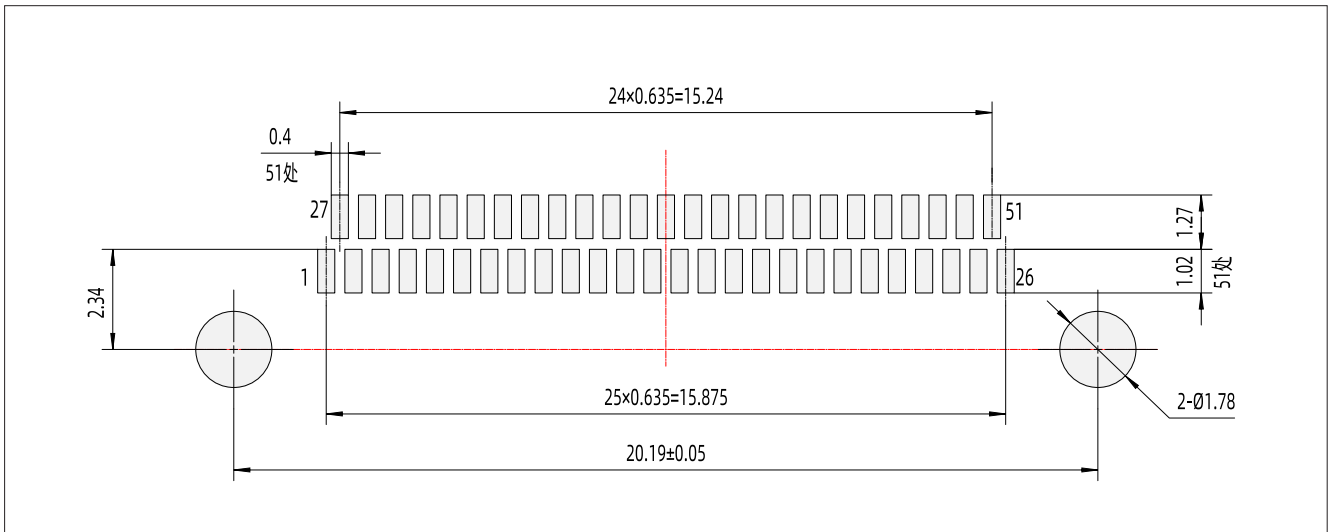
**ND-2N31S-SH-TH**



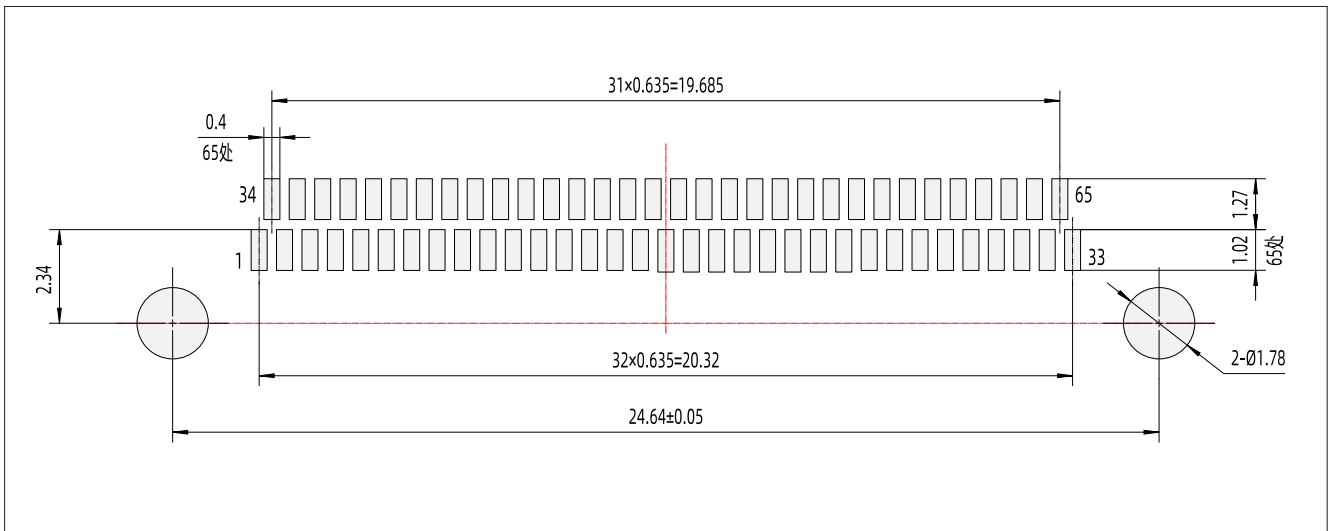
**ND-2N37S-SH-TH**

**ND-2NxxS-SHTH 印制板开孔尺寸**

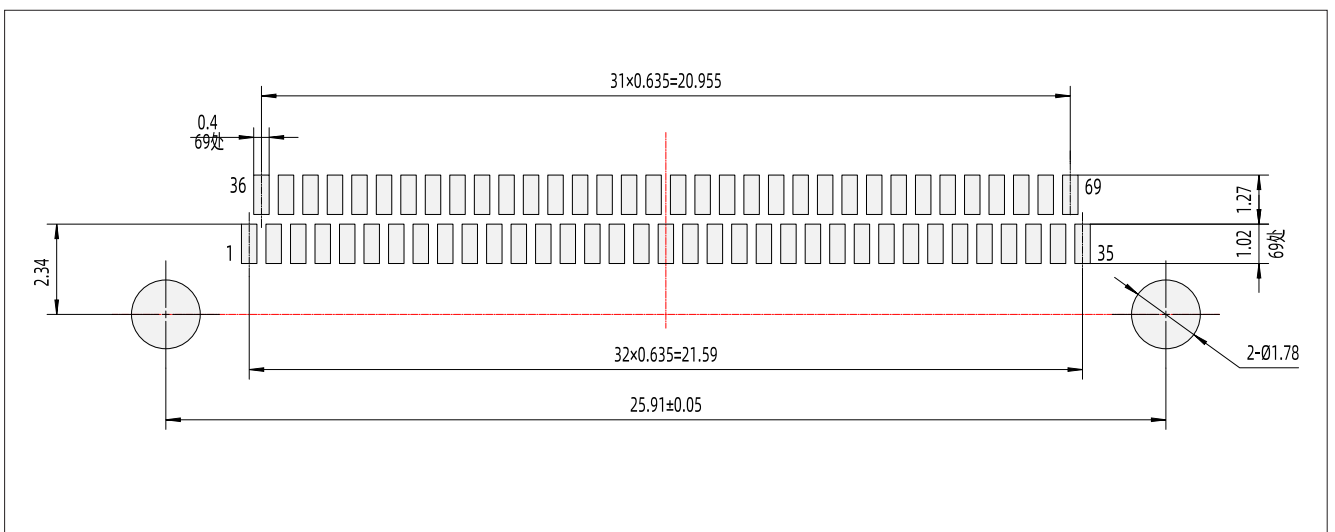
连接器到印制板方向视图



**ND-2N51S-SH-TH**



**ND-2N65S-SH-TH**



**ND-2N69S-SH-TH**

## PCB plug-horizontally mounted

ND	-	2	N	25	P	-	BH	TH
----	---	---	---	----	---	---	----	----

Series: ND

Contact Row: 2 rows

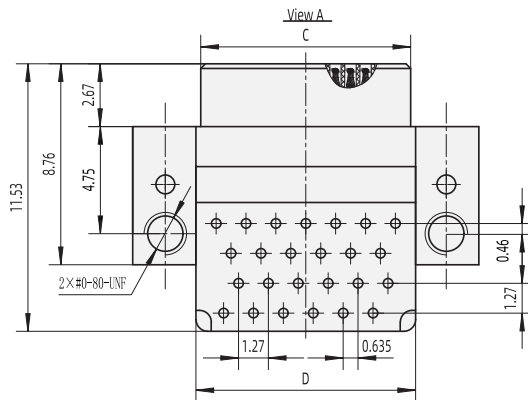
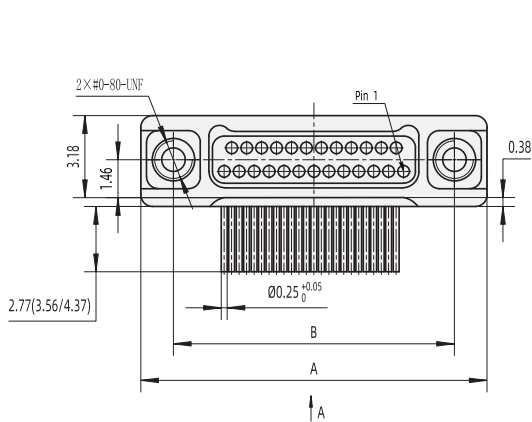
Shell Finish: N - Electroless nickel    G - Cadmium    S - Stainless steel shell

Number Of Contacts: 9, 15, 21, 25, 31, 37, 51, 65, 69

Type Of Contacts: P - pins

Type Of Contact tail: BH - Right angle to PCB

Locking Hardware Type: TH - Threaded hole #0-80 UNF



Contacts	9	15	21	25	31	37	51	65	69
A	9.53	11.43	13.34	14.61	16.51	18.42	22.86	27.31	28.58
B	6.86	8.76	10.67	11.94	13.84	15.75	20.19	24.64	25.91
C	4.06	5.97	7.87	9.14	11.05	12.95	17.40	21.84	23.11
D	4.32	6.22	8.13	9.4	11.3	13.21	17.66	22.1	23.37

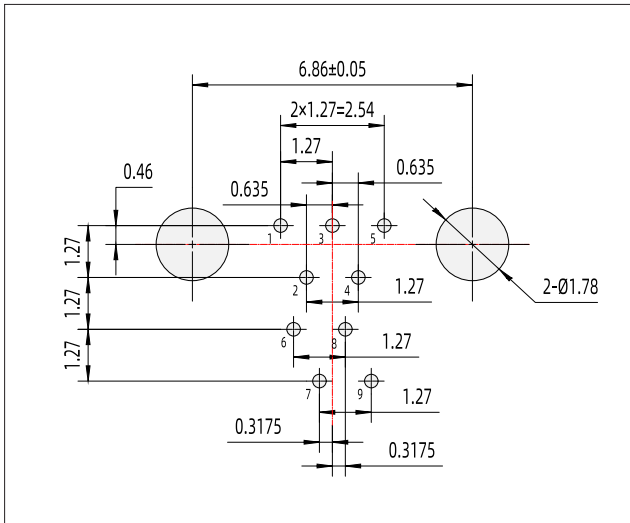
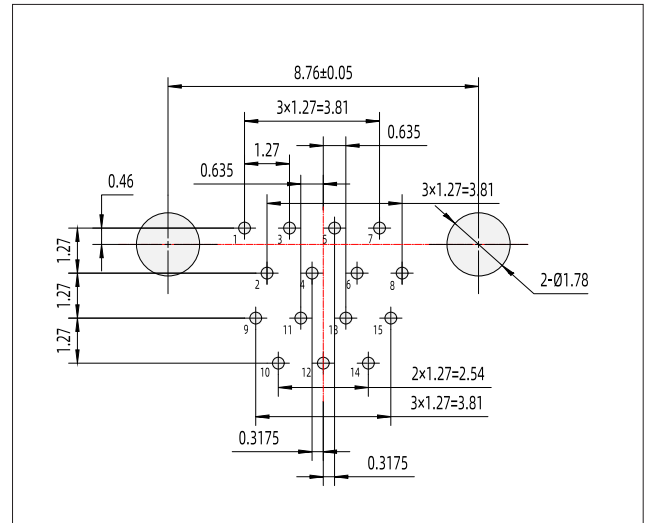
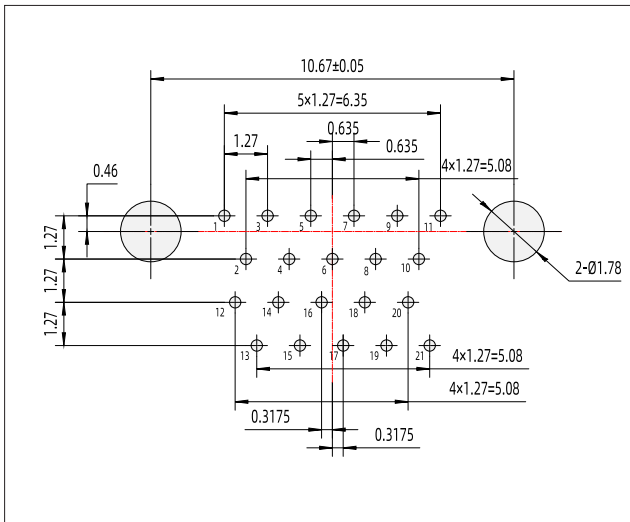
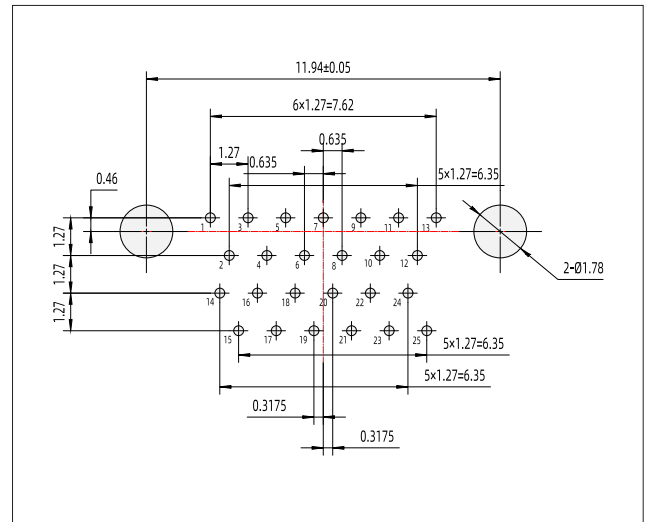
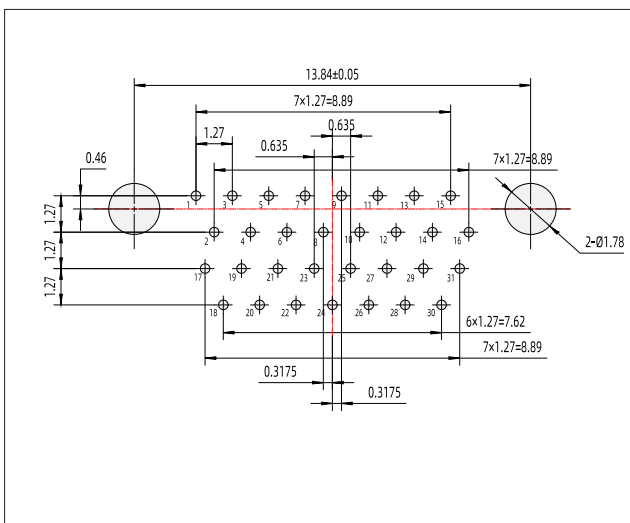
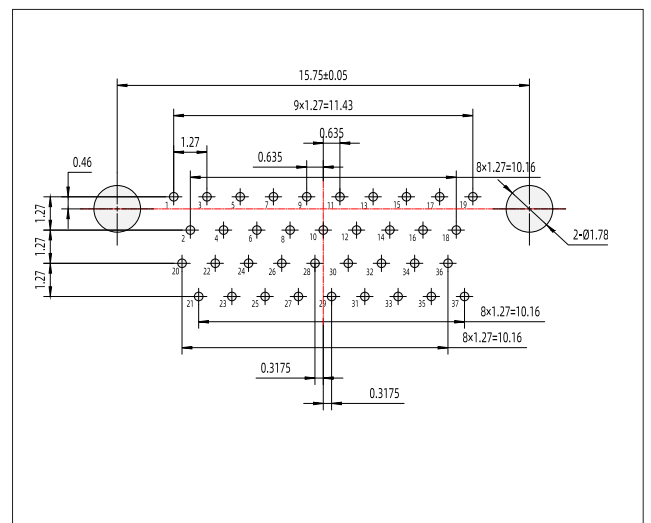
### ND Series

Jan 2025, V1.0

Please visit the official website to download 3D models: [www.samsor.com](http://www.samsor.com)

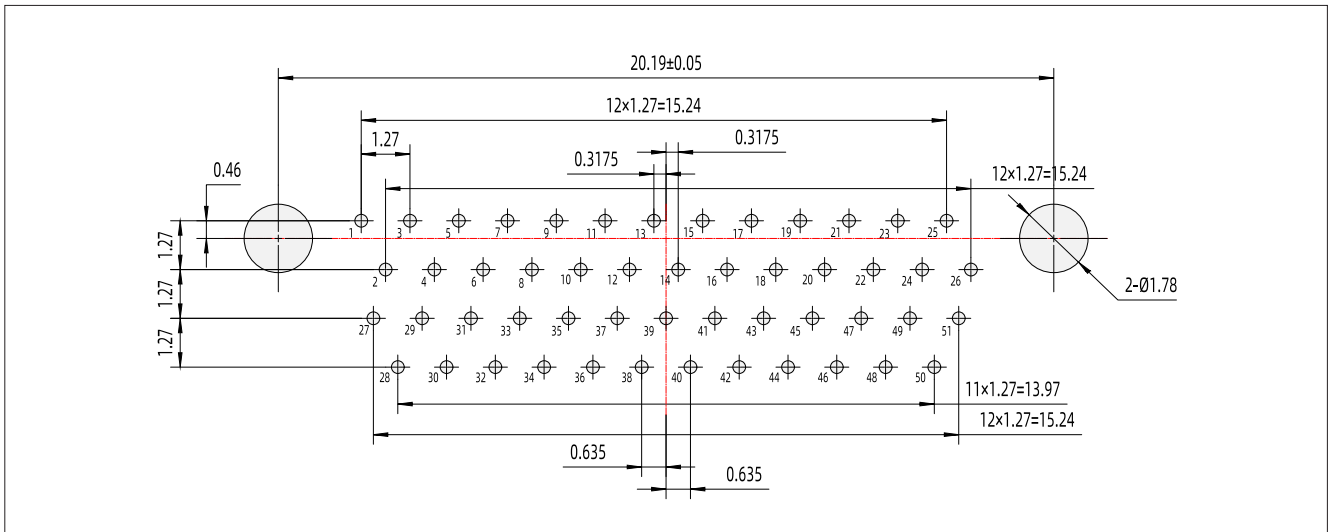
**ND-2NxxP-BHTH 印制板开孔尺寸**

连接器到印制板方向视图

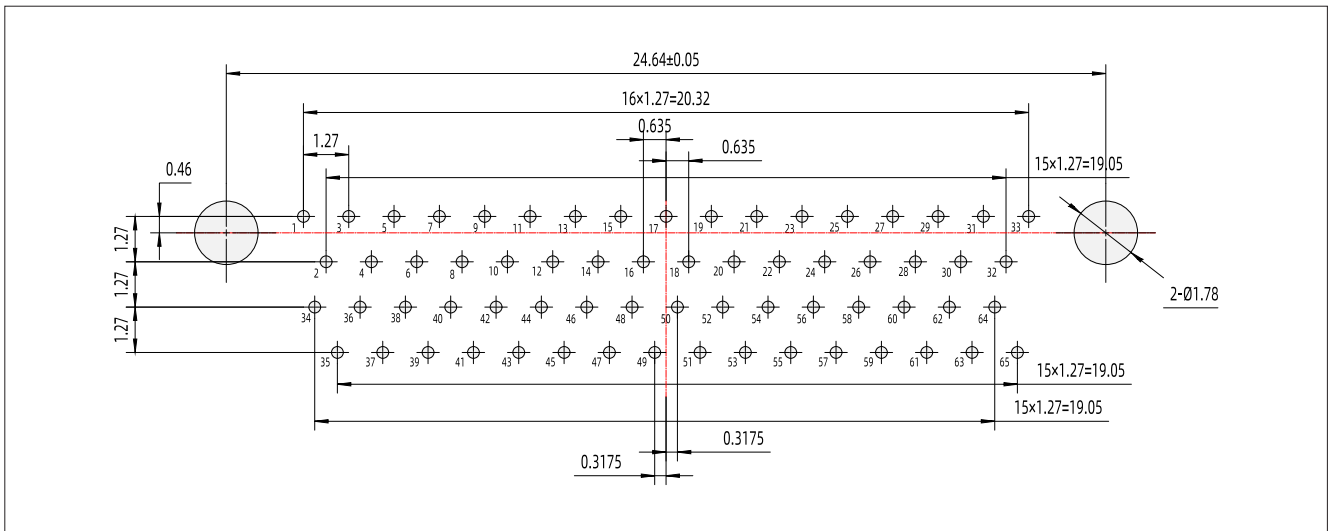

**ND-2N9P-BH-TH**

**ND-2N15P-BH-TH**

**ND-2N21P-BH-TH**

**ND-2N25P-BH-TH**

**ND-2N31P-BH-TH**

**ND-2N37P-BH-TH**

**ND-2NxxP-BHTH 印制板开孔尺寸**

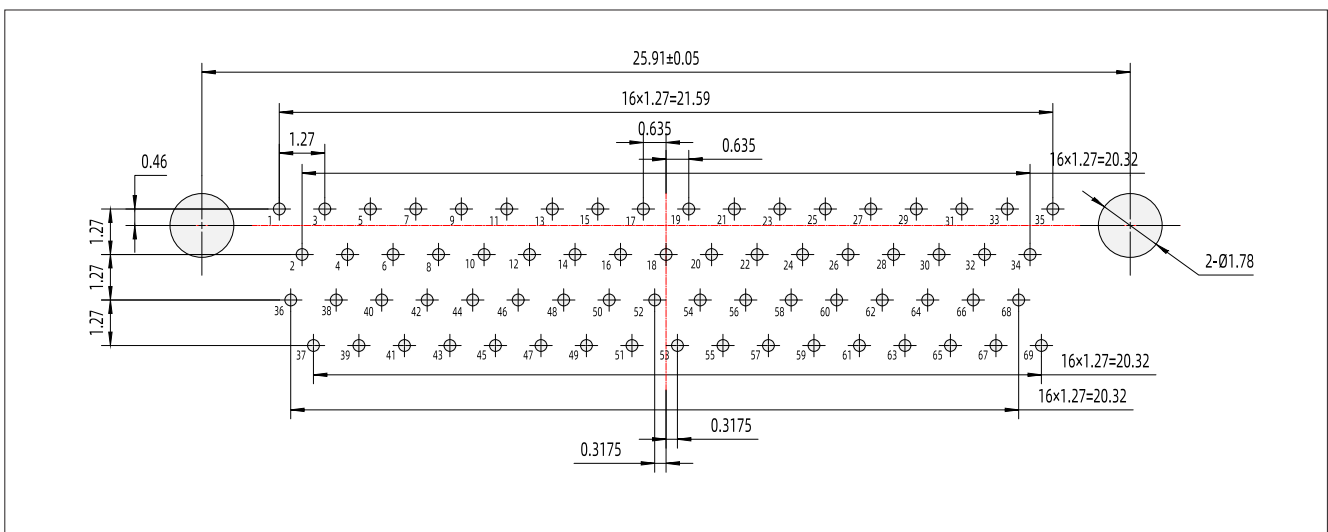
连接器到印制板方向视图



**ND-2N51P-BH-TH**



**ND-2N65P-BH-TH**



**ND-2N69P-BH-TH**

## PCB plug-horizontally mounted

ND	-	2	N	25	P	-	BH	JC
----	---	---	---	----	---	---	----	----

Series: ND

Contact Row: 2 rows

Shell Finish: N - Electroless nickel    G - Cadmium    S - Stainless steel shell

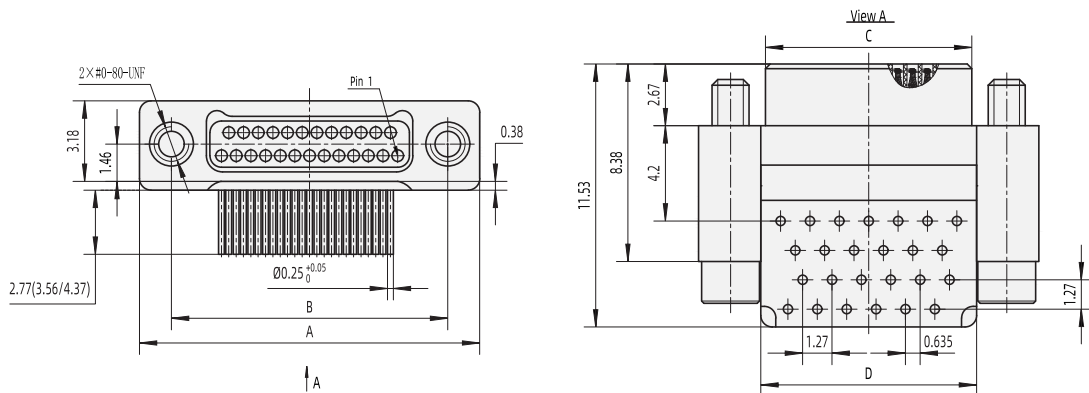
Number Of Contacts: 9, 15, 21, 25, 31, 37, 51, 65, 69

Type Of Contacts: P - pins

Type Of Contact tail: BH - Right angle to PCB

Locking Hardware Type:

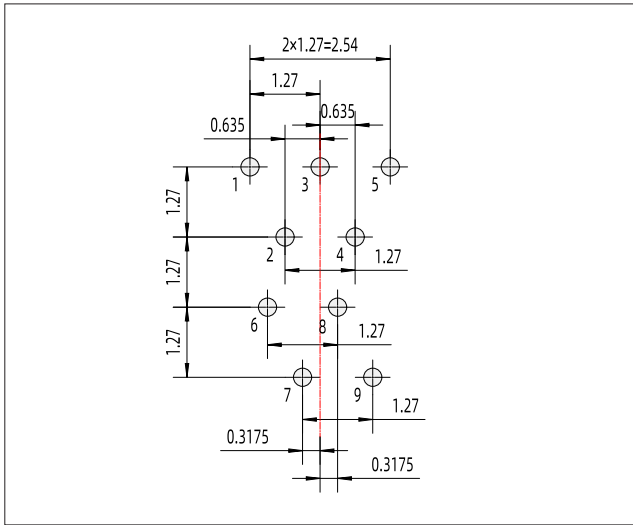
00 - No hardware    JC - Locking screw( hexagon socket )    JC1 - Locking screw( straight slot )



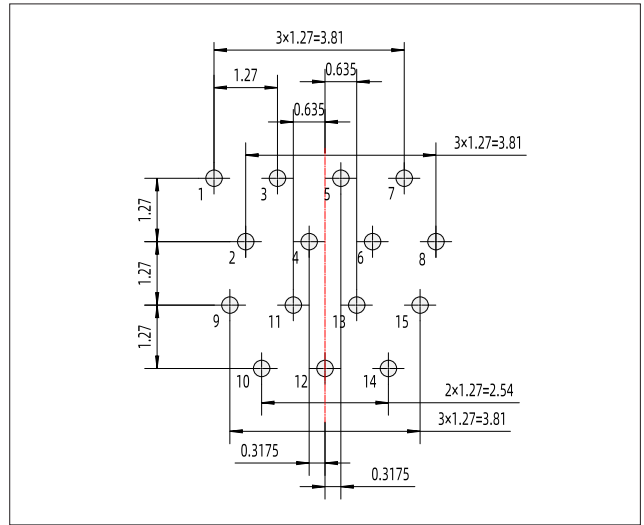
Contacts	9	15	21	25	31	37	51	65	69
A	9.53	11.43	13.34	14.61	16.51	18.42	22.86	27.31	28.58
B	6.86	8.76	10.67	11.94	13.84	15.75	20.19	24.64	25.91
C	4.06	5.97	7.87	9.14	11.05	12.95	17.40	21.84	23.11
D	4.32	6.22	8.13	9.4	11.3	13.21	17.66	22.1	23.37

**ND-2NxxP-BHJC 印制板开孔尺寸**

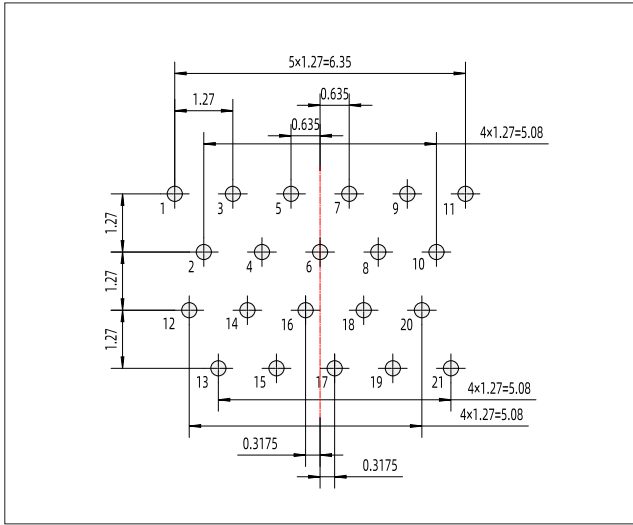
连接器到印制板方向视图



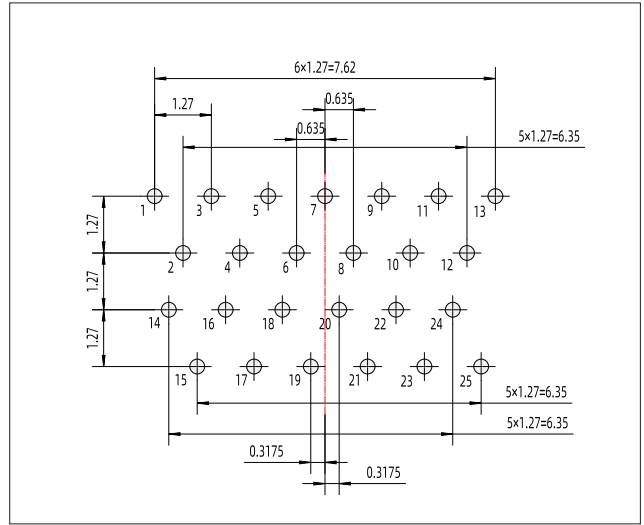
**ND-2N9P-BH-JC**



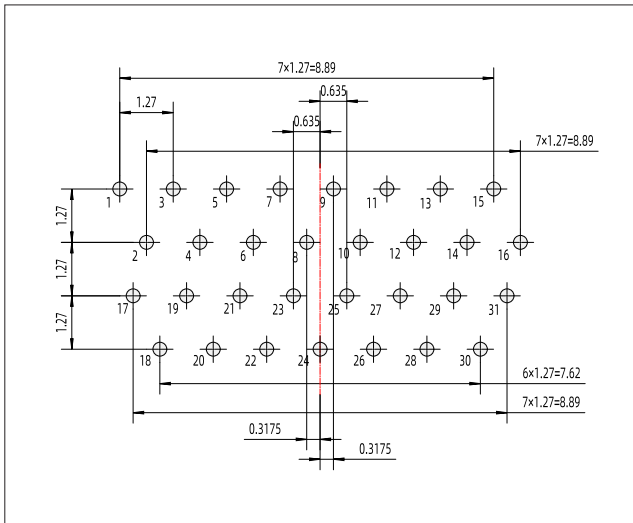
**ND-2N15P-BH-JC**



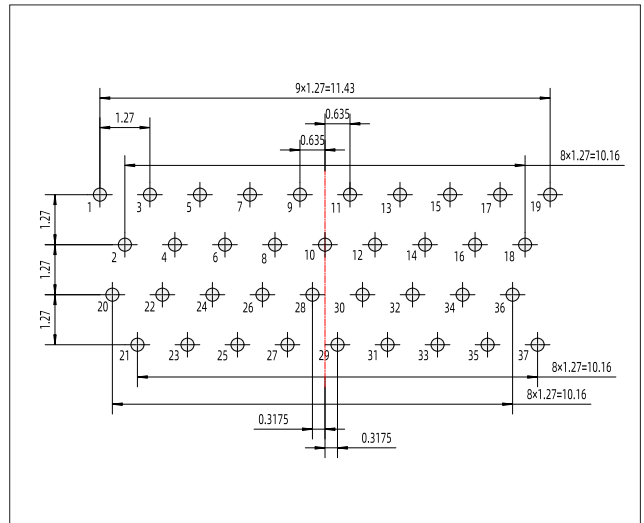
**ND-2N21P-BH-JC**



**ND-2N25P-BH-JC**



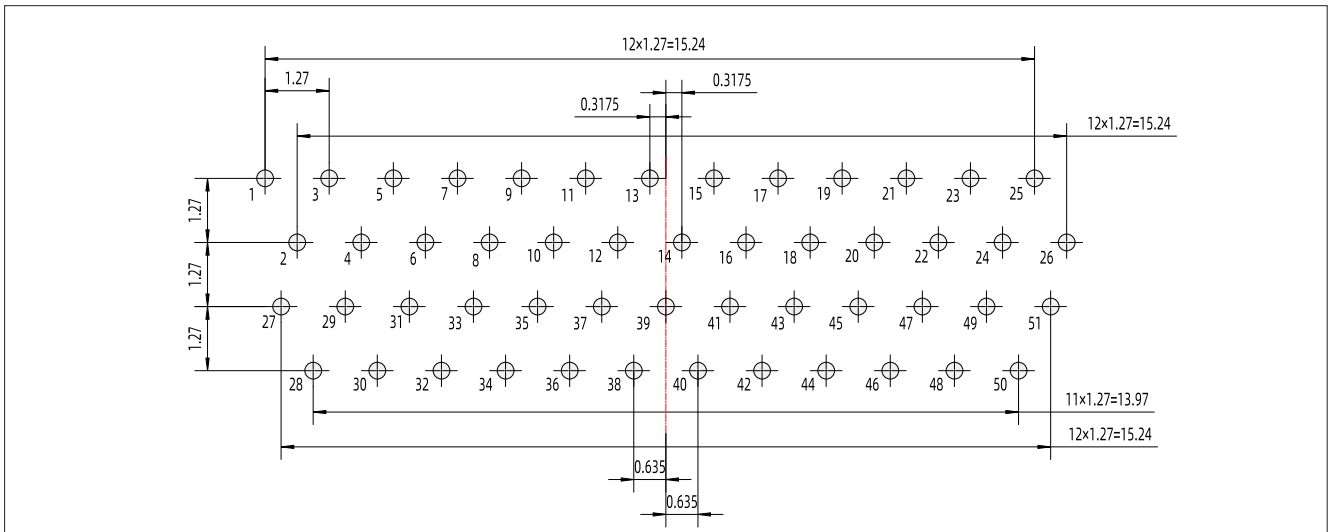
**ND-2N31P-BH-JC**



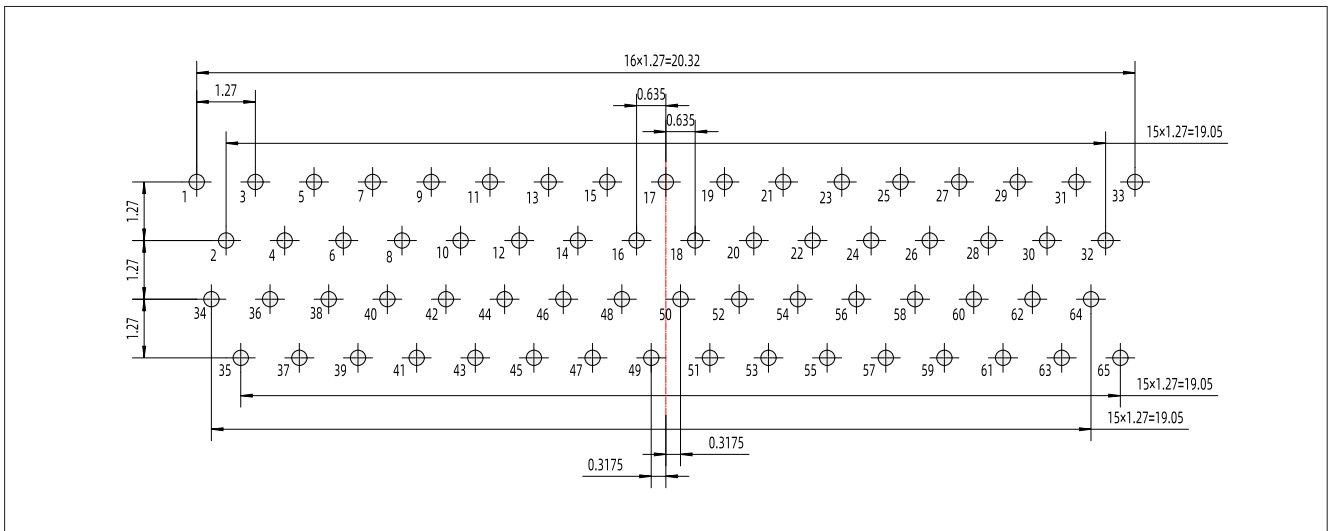
**ND-2N37P-BH-JC**

**ND-2NxxP-BHJC 印制板开孔尺寸**

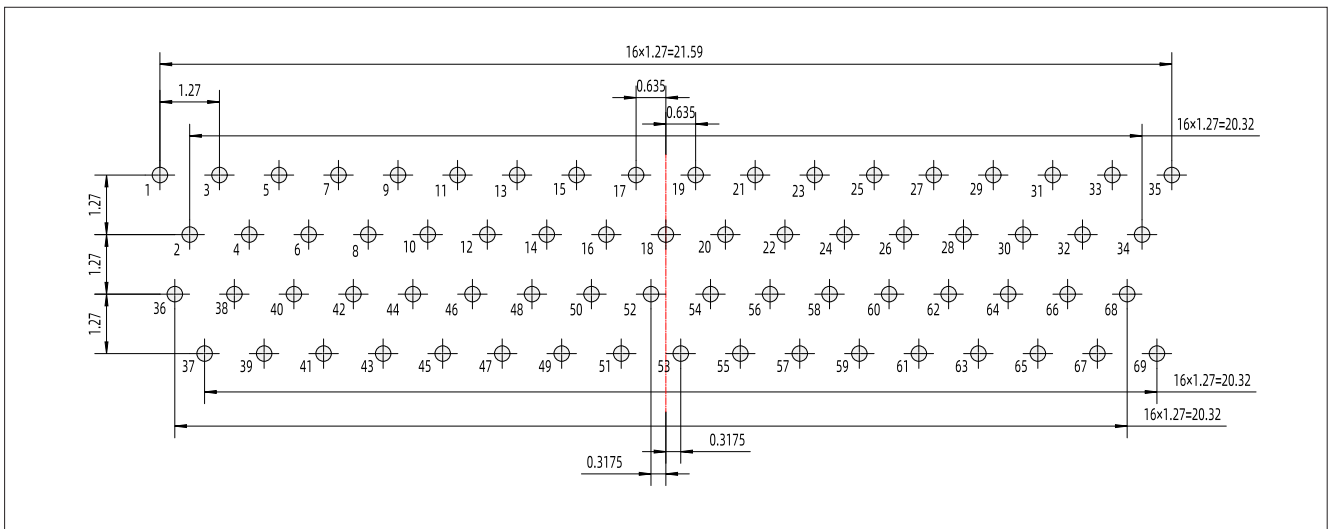
连接器到印制板方向视图



**ND-2N51P-BH-JC**



**ND-2N65P-BH-JC**



**ND-2N69P-BH-JC**

## PCB receptacle-horizontally mounted

ND - 2 N 25 S - BH TH

Series: ND

Contact Row: 2 rows

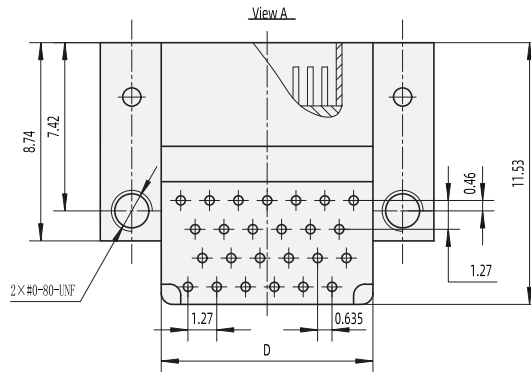
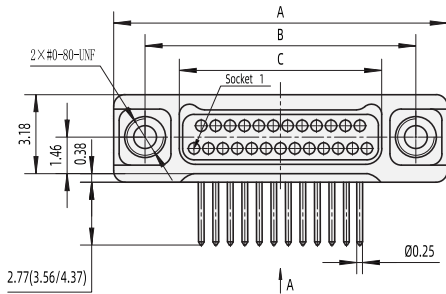
Shell Finish: N - Electroless nickel G - Cadmium S - Stainless steel shell

Number Of Contacts: 9, 15, 21, 25, 31, 37, 51, 65, 69

Type Of Contacts: S - sockets

Type Of Contact tail: BH - Right angle to PCB

Locking Hardware Type: TH - Threaded hole #0-80 UNF



Contacts	9	15	21	25	31	37	51	65	69
A	9.53	11.43	13.34	14.61	16.51	18.42	22.86	27.31	28.58
B	6.86	8.76	10.67	11.94	13.84	15.75	20.19	24.64	25.91
C	4.14	6.05	7.95	9.22	11.13	13.03	17.48	21.92	23.19
D	4.32	6.22	8.13	9.4	11.3	13.21	17.66	22.1	23.37

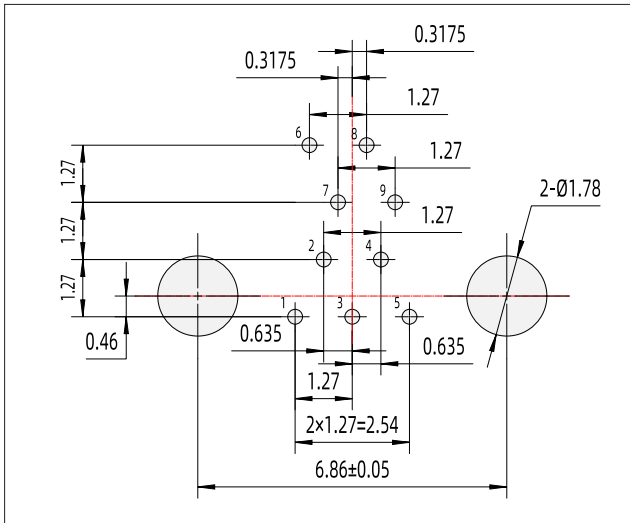
### ND Series

Jan 2025, V1.0

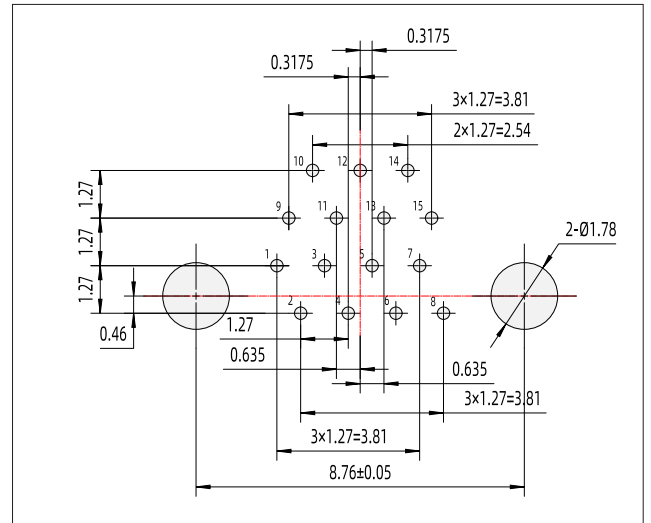
Please visit the official website to download 3D models: [www.samsor.com](http://www.samsor.com)

**ND-2NxxS-BHTH 印制板开孔尺寸**

连接器到印制板方向视图

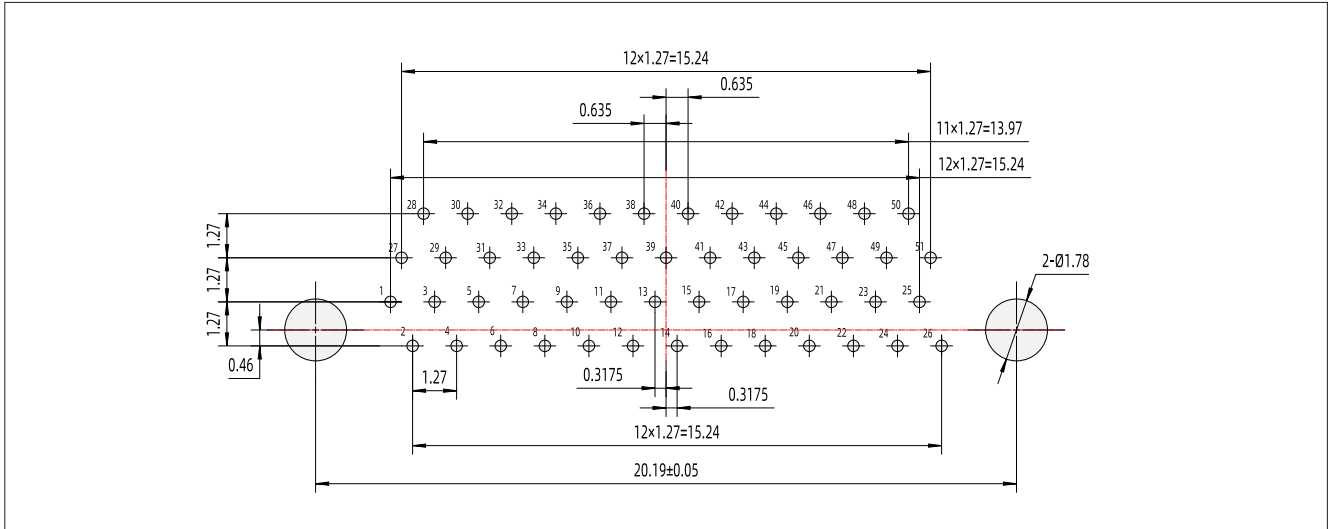


**ND-2N9S-BH-TH**

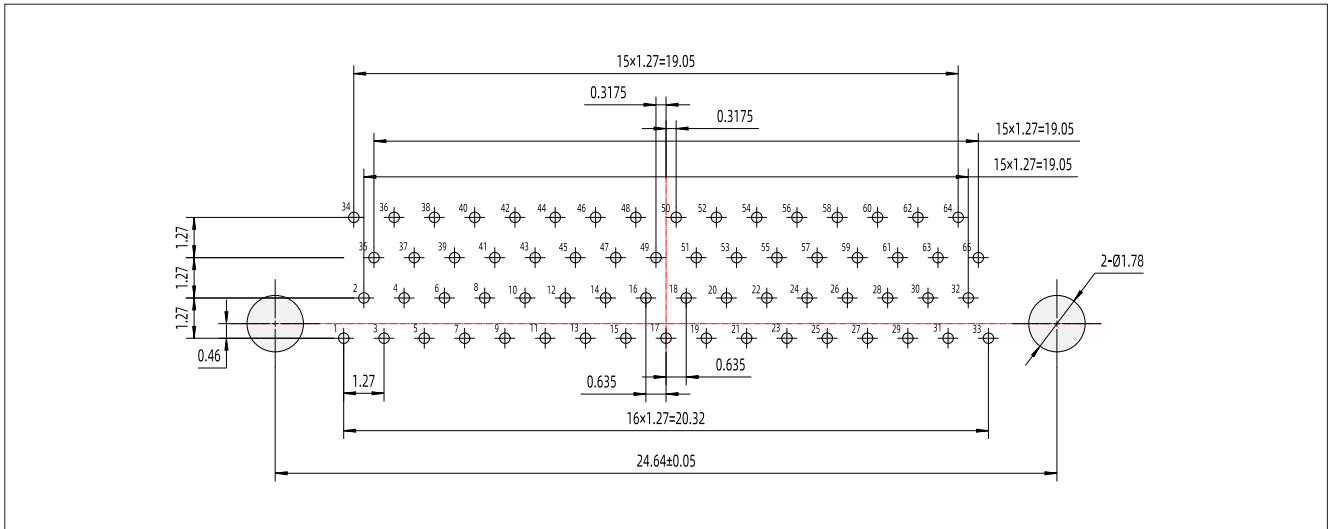


**ND-2NxxS-BHTH 印制板开孔尺寸**

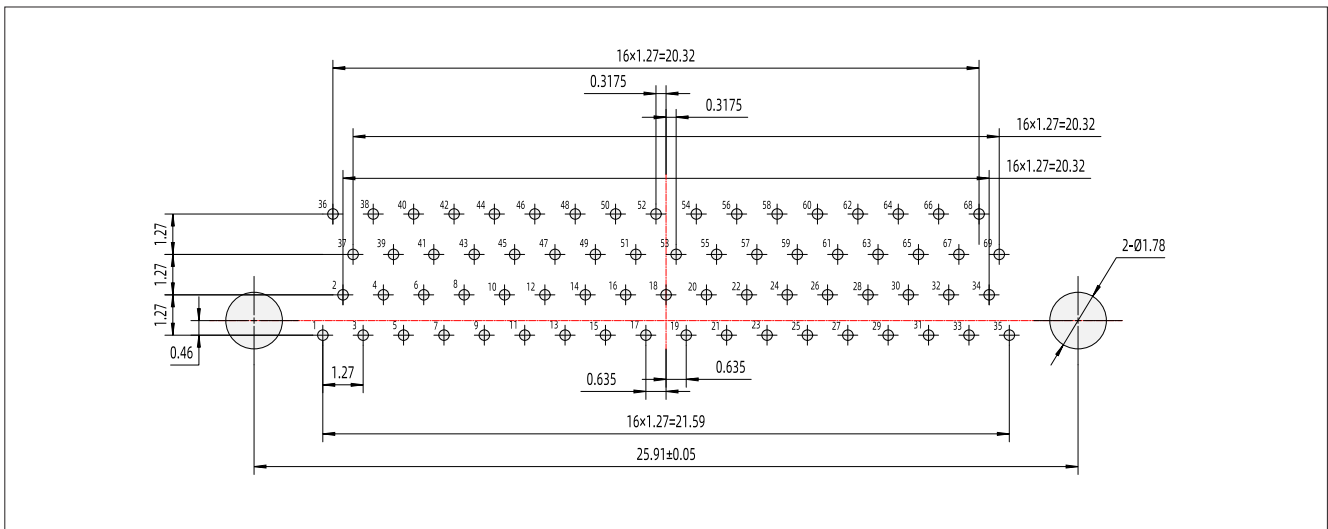
连接器到印制板方向视图



**ND-2N51S-BH-TH**



**ND-2N65S-BH-TH**



**ND-2N69S-BH-TH**

## PCB receptacle-horizontally mounted

ND - 2 N 25 S - BH JC

Series: ND

Contact Row: 2 rows

Shell Finish: N - Electroless nickel G - Cadmium S - Stainless steel shell

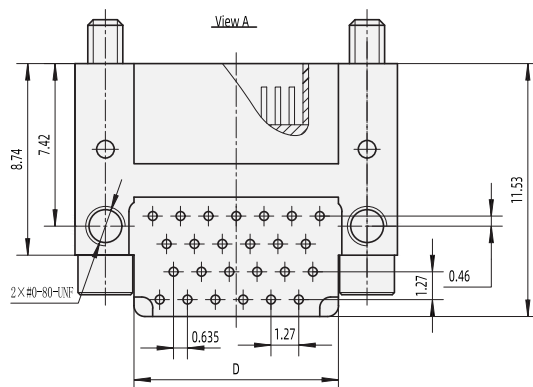
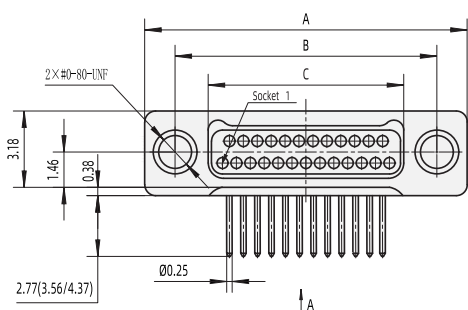
Number Of Contacts: 9, 15, 21, 25, 31, 37, 51, 65, 69

Type Of Contacts: S - sockets

Type Of Contact tail: BH - Right angle to PCB

Locking Hardware Type:

00 - No hardware JC - Locking screw( hexagon socket ) JC1 - Locking screw( straight slot )



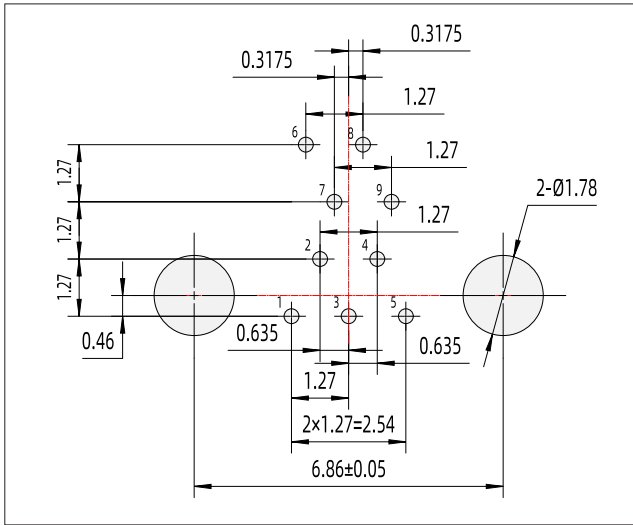
Contacts	9	15	21	25	31	37	51	65	69
A	9.53	11.43	13.34	14.61	16.51	18.42	22.86	27.31	28.58
B	6.86	8.76	10.67	11.94	13.84	15.75	20.19	24.64	25.91
C	4.14	6.05	7.95	9.22	11.13	13.03	17.48	21.92	23.19
D	4.32	6.22	8.13	9.4	11.3	13.21	17.66	22.1	23.37

ND Series

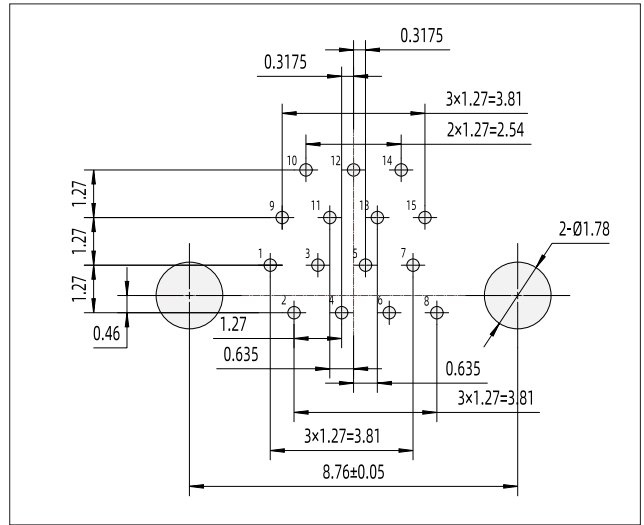
AA-35

**ND-2NxxS-BHJC 印制板开孔尺寸**

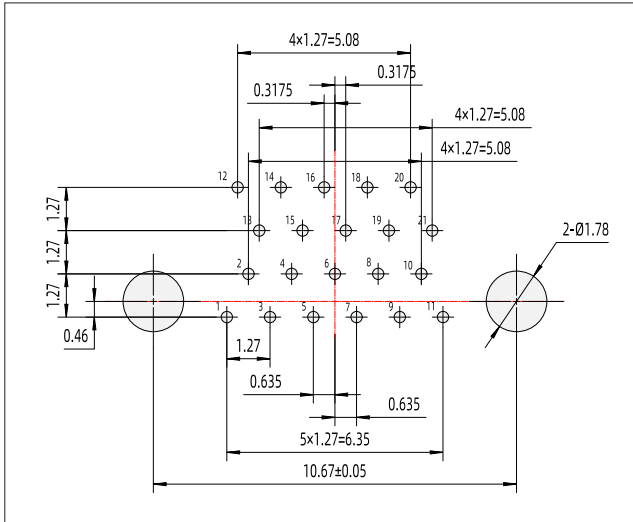
连接器到印制板方向视图



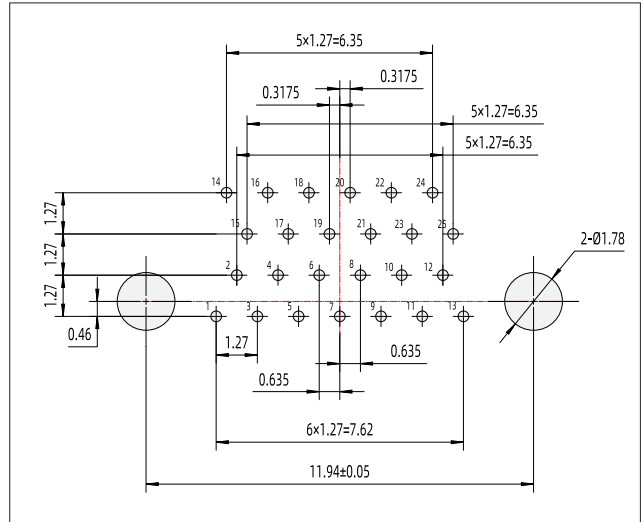
**ND-2N9S-BH-JC**



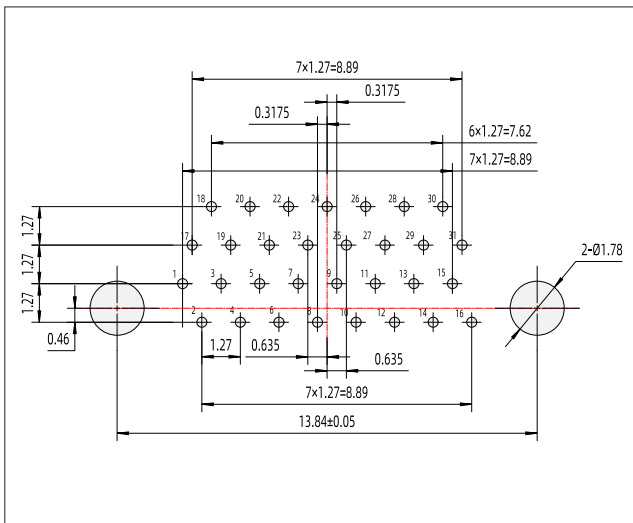
**ND-2N15S-BH-JC**



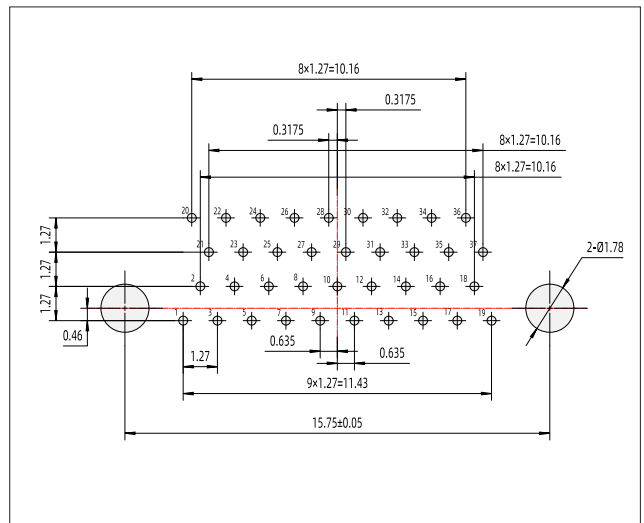
**ND-2N21S-BH-JC**



**ND-2N25S-BH-JC**



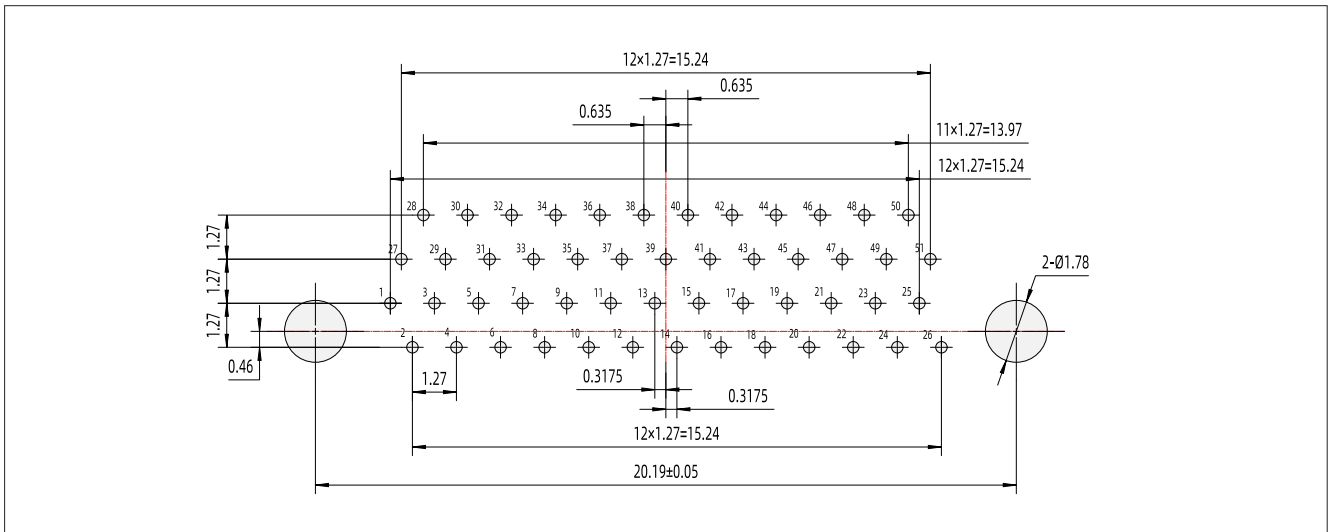
**ND-2N31S-BH-JC**



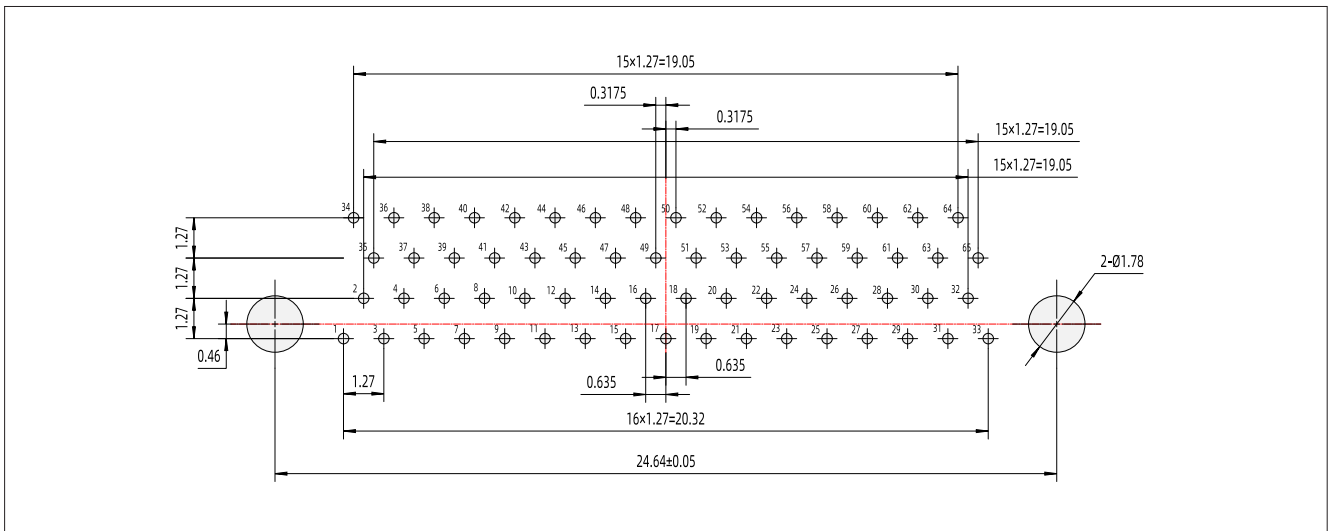
**ND-2N37S-BH-JC**

**ND-2NxxS-BHJC 印制板开孔尺寸**

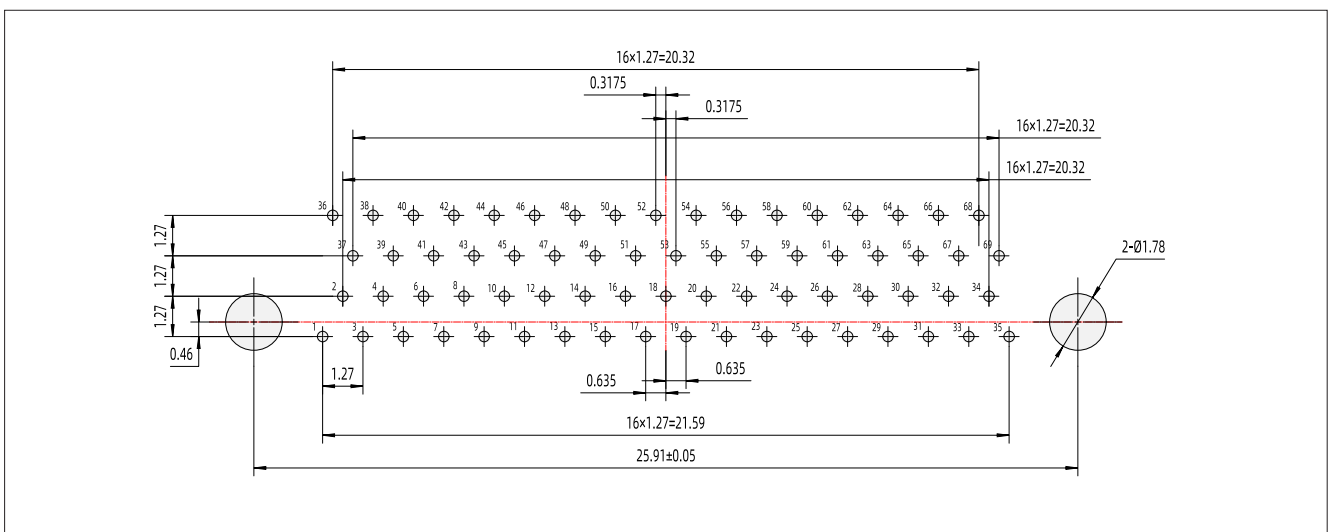
连接器到印制板方向视图



**ND-2N51S-BH-JC**



**ND-2N65S-BH-JC**



**ND-2N69S-BH-JC**

## PCB plug-vertically mounted

ND	-	2	N	25	P	-	BV	TH
----	---	---	---	----	---	---	----	----

Series: ND

Contact Row: 2 rows

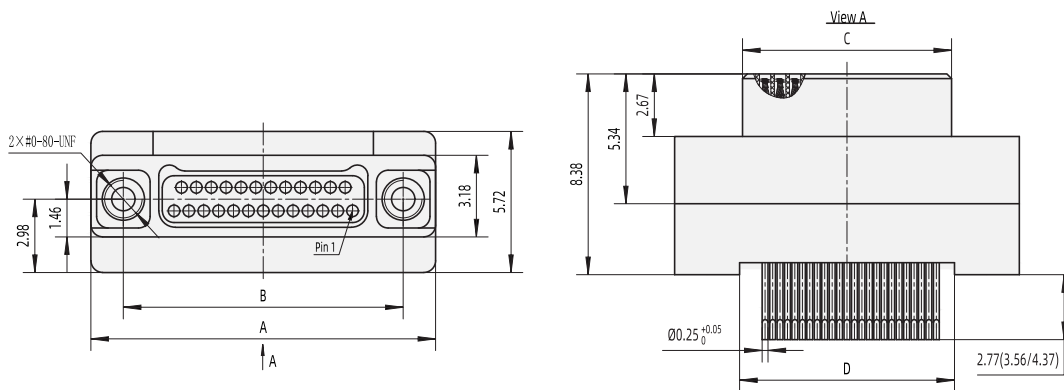
Shell Finish: N - Electroless nickel    G - Cadmium    S - Stainless steel shell

Number Of Contacts: 9, 15, 21, 25, 31, 37, 51, 65, 69

Type Of Contacts: P - pins

Type Of Contact tail: BV - Vertical to PCB

Locking Hardware Type: TH - Threaded hole #0-80 UNF



Contacts	9	15	21	25	31	37	51	65	69
A	9.53	11.43	13.34	14.61	16.51	18.42	22.86	27.31	28.58
B	6.86	8.76	10.67	11.94	13.84	15.75	20.19	24.64	25.91
C	4.06	5.97	7.87	9.14	11.05	12.95	17.40	21.84	23.11
D	4.32	6.22	8.13	9.4	11.3	13.21	17.66	22.1	23.37

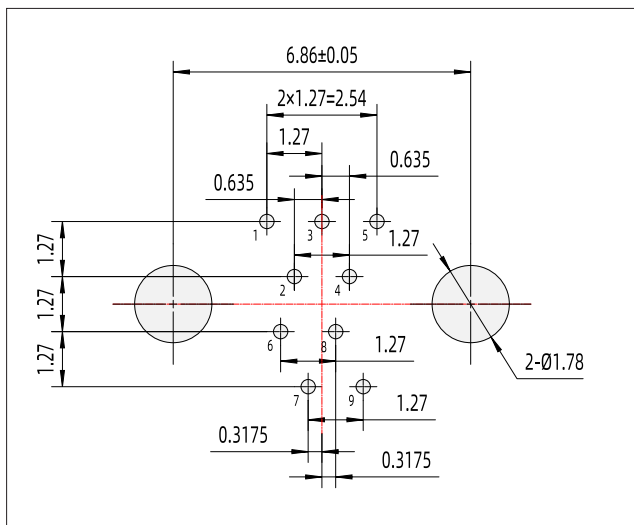
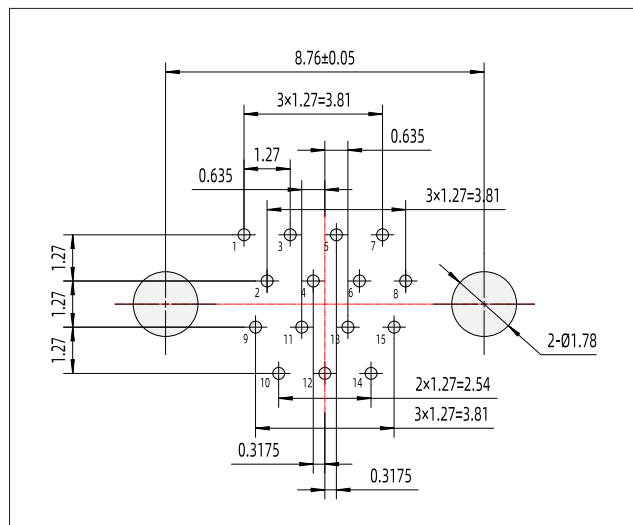
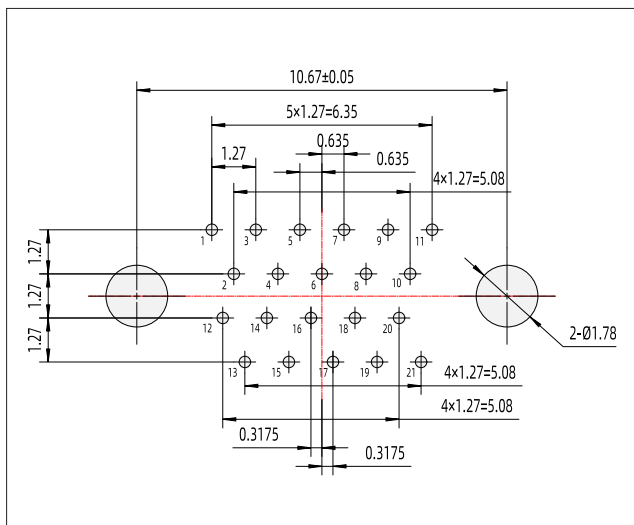
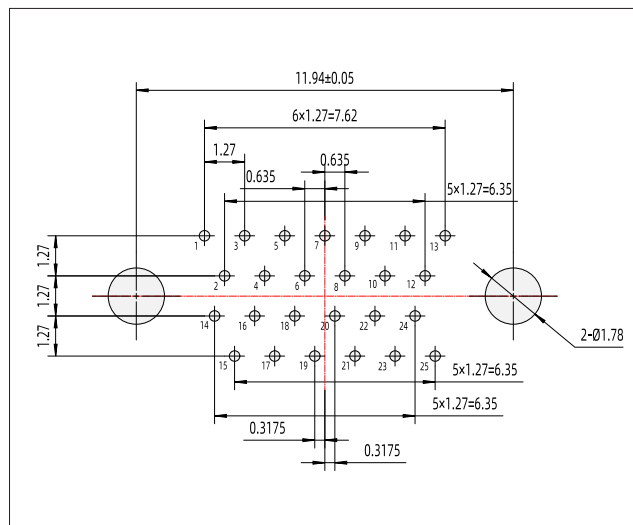
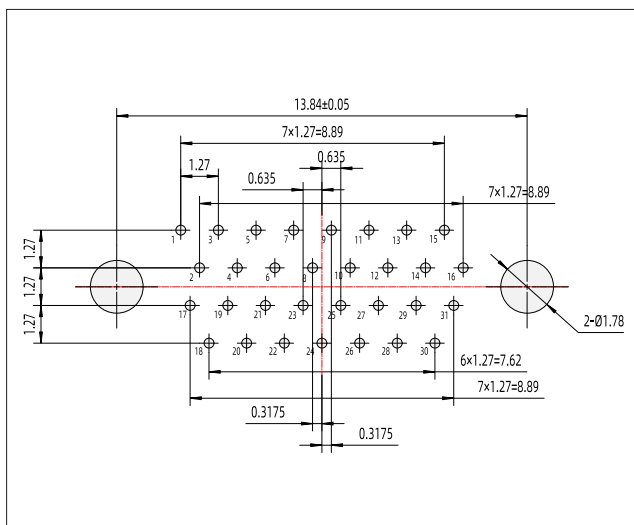
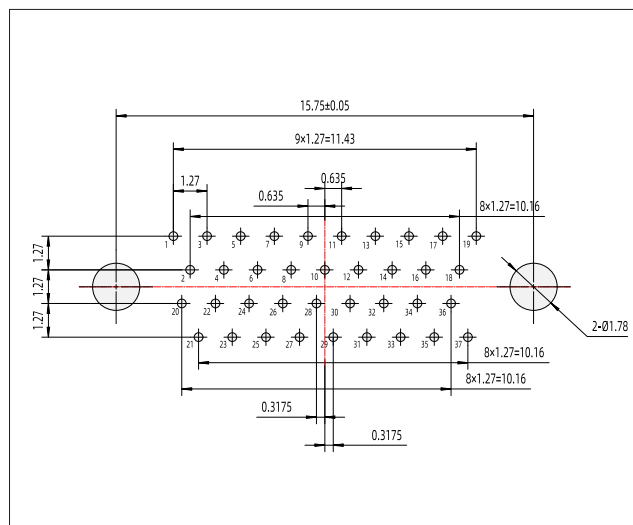
### ND Series

Jan 2025, V1.0

Please visit the official website to download 3D models: [www.samsor.com](http://www.samsor.com)

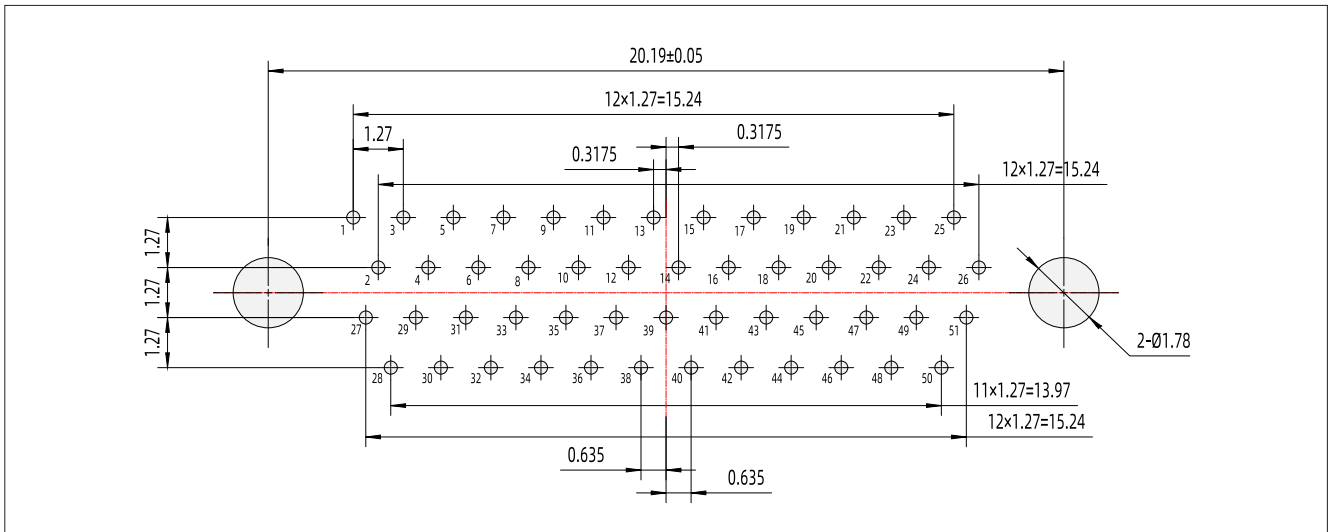
**ND-2NxxP-BVTH 印制板开孔尺寸**

连接器到印制板方向视图

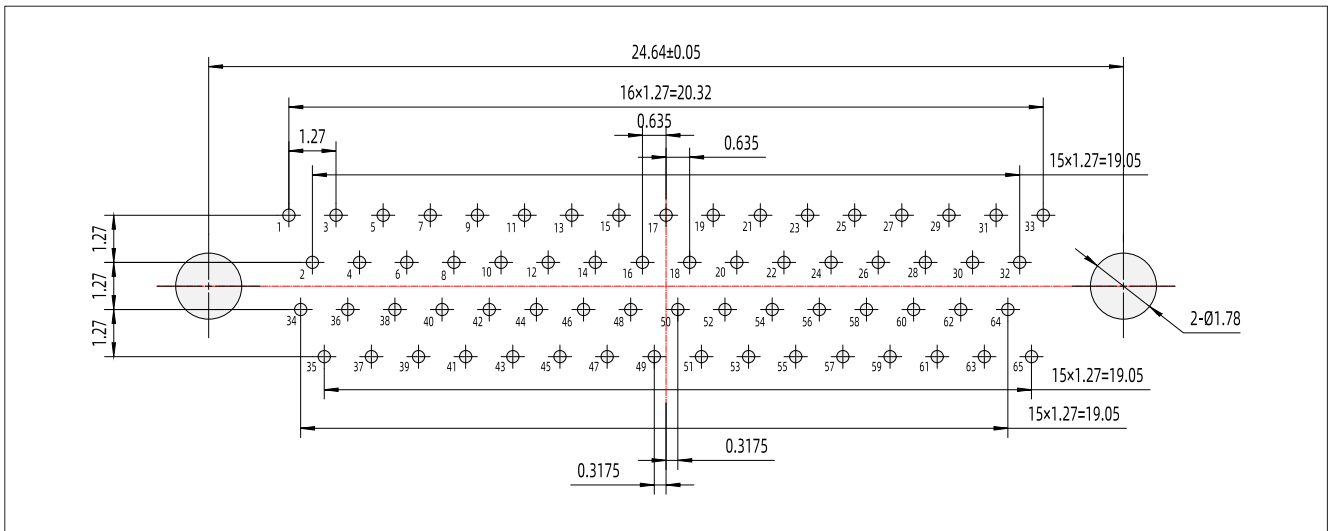

**ND-2N9P-BV-TH**

**ND-2N15P-BV-TH**

**ND-2N21P-BV-TH**

**ND-2N25P-BV-TH**

**ND-2N31P-BV-TH**

**ND-2N37P-BV-TH**

**ND-2NxxP-BVTH 印制板开孔尺寸**

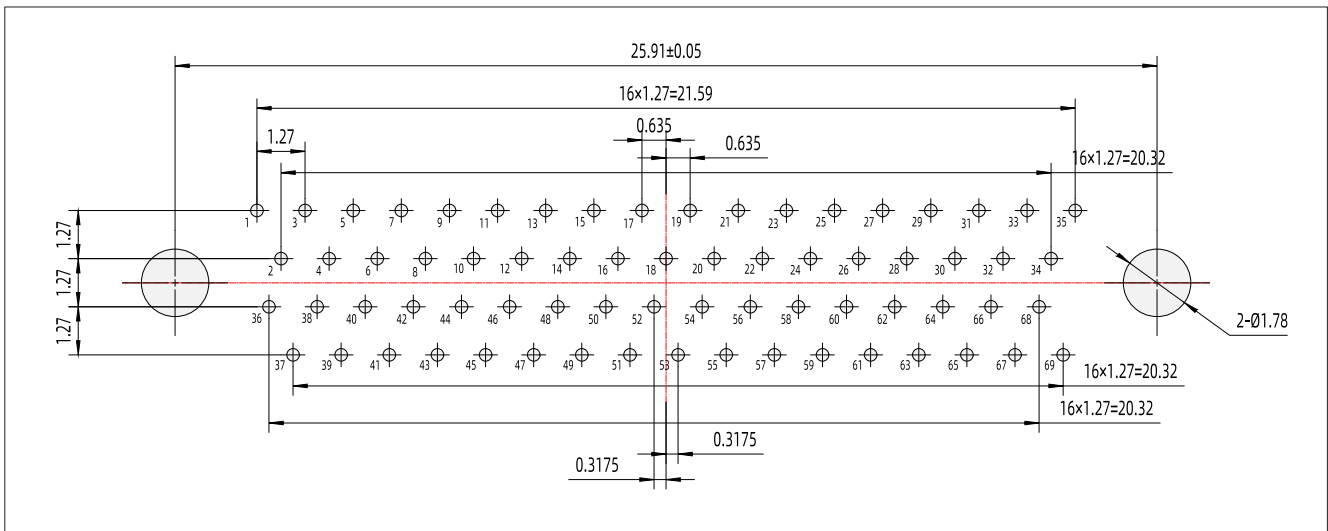
连接器到印制板方向视图



**ND-2N51P-BV-TH**



**ND-2N65P-BV-TH**



**ND-2N69P-BV-TH**

## PCB plug-vertically mounted

ND	-	2	N	25	P	-	BV	JC
----	---	---	---	----	---	---	----	----

Series: ND

Contact Row: 2 rows

Shell Finish: N - Electroless nickel    G - Cadmium    S - Stainless steel shell

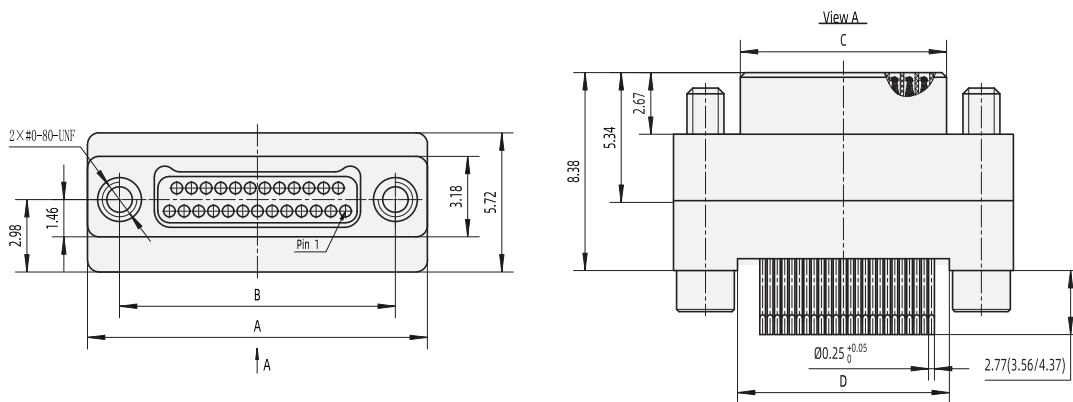
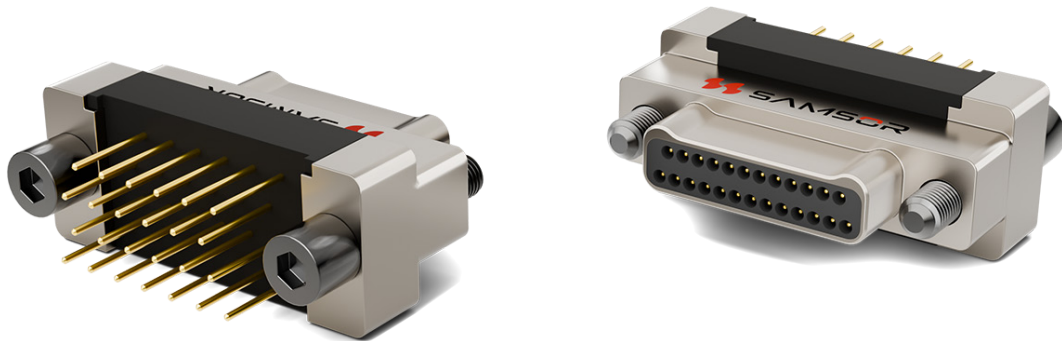
Number Of Contacts: 9, 15, 21, 25, 31, 37, 51, 65, 69

Type Of Contacts: P - pins

Type Of Contact tail: BV - Vertical to PCB

Locking Hardware Type:

00 - No hardware    JC - Locking screw( hexagon socket )    JC1 - Locking screw( straight slot )



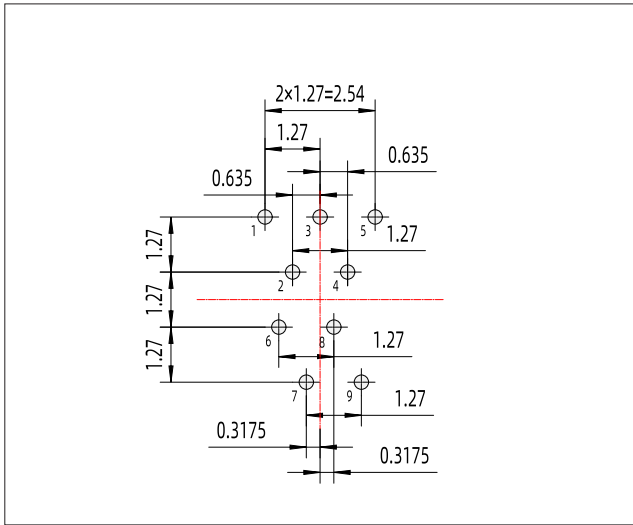
Contacts	9	15	21	25	31	37	51	65	69
A	9.53	11.43	13.34	14.61	16.51	18.42	22.86	27.31	28.58
B	6.86	8.76	10.67	11.94	13.84	15.75	20.19	24.64	25.91
C	4.06	5.97	7.87	9.14	11.05	12.95	17.40	21.84	23.11
D	4.32	6.22	8.13	9.4	11.3	13.21	17.66	22.1	23.37

ND Series

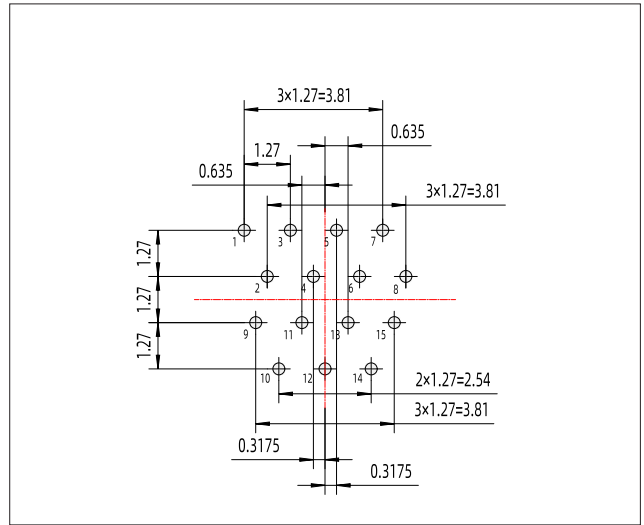
AA-41

**ND-2NxxP-BVJC 印制板开孔尺寸**

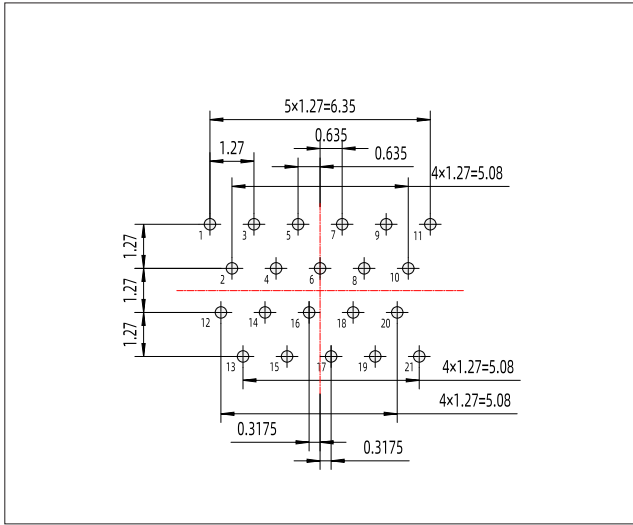
连接器到印制板方向视图



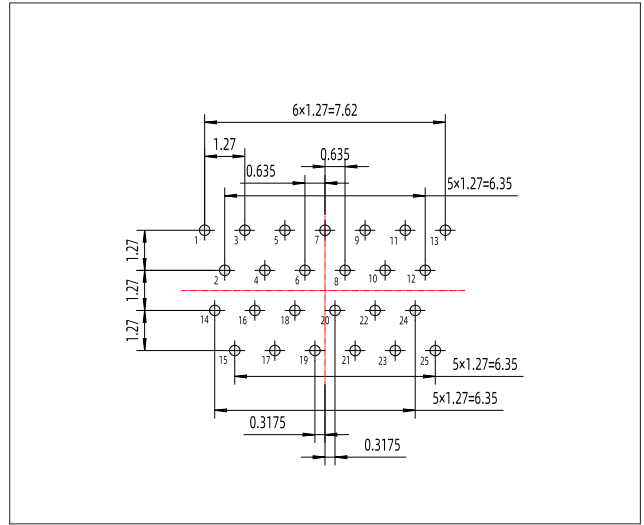
**ND-2N9P-BV-JC**



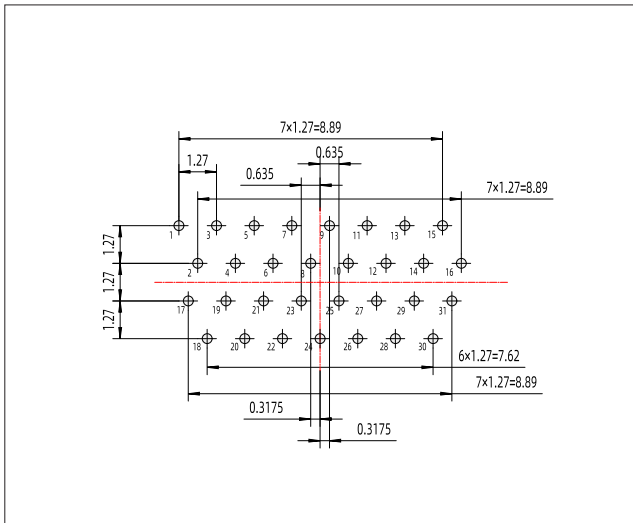
**ND-2N15P-BV-JC**



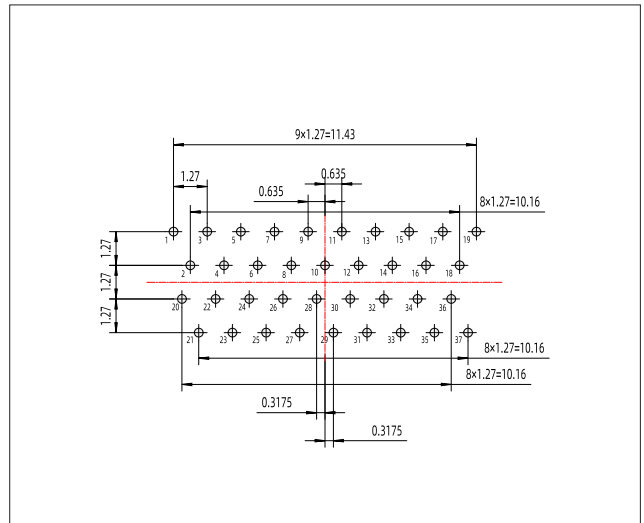
**ND-2N21P-BV-JC**



**ND-2N25P-BV-JC**



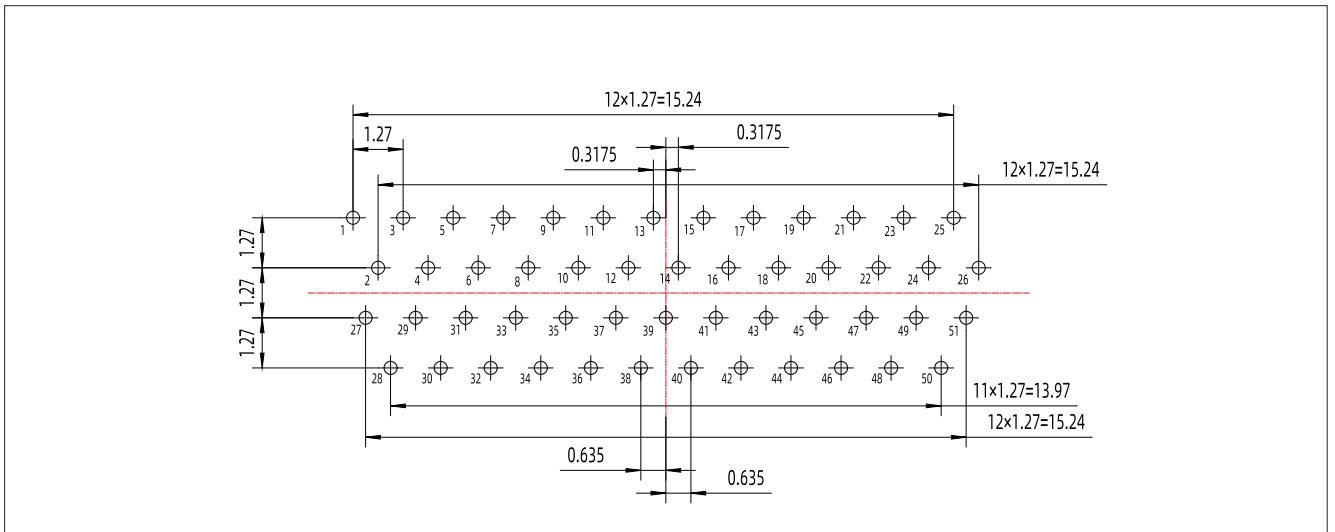
**ND-2N31P-BV-JC**



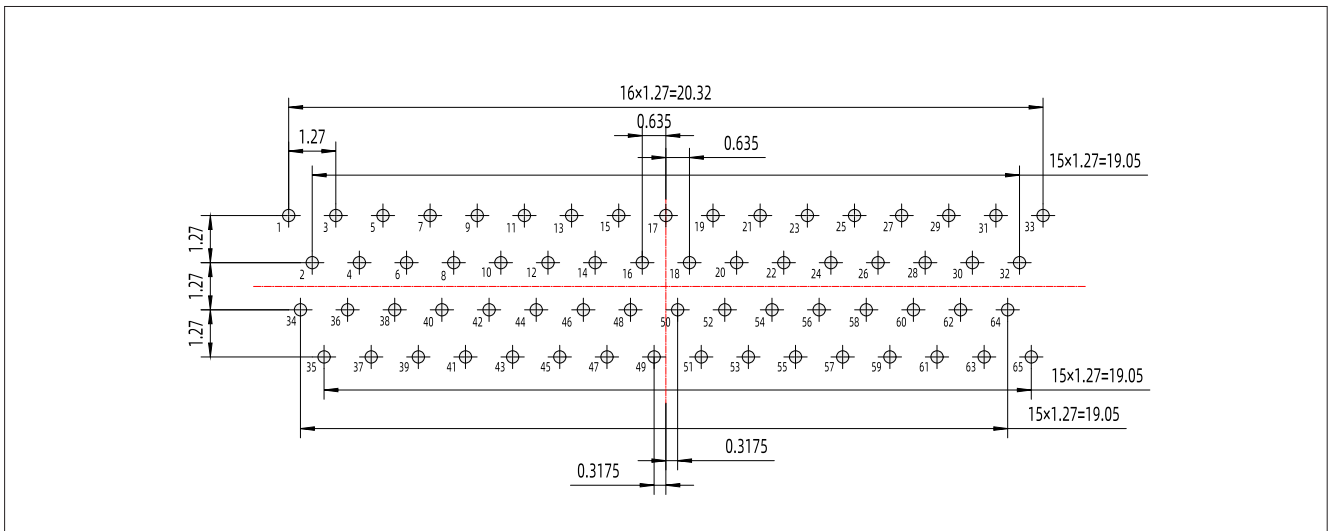
**ND-2N37P-BV-JC**

**ND-2NxxP-BVJC 印制板开孔尺寸**

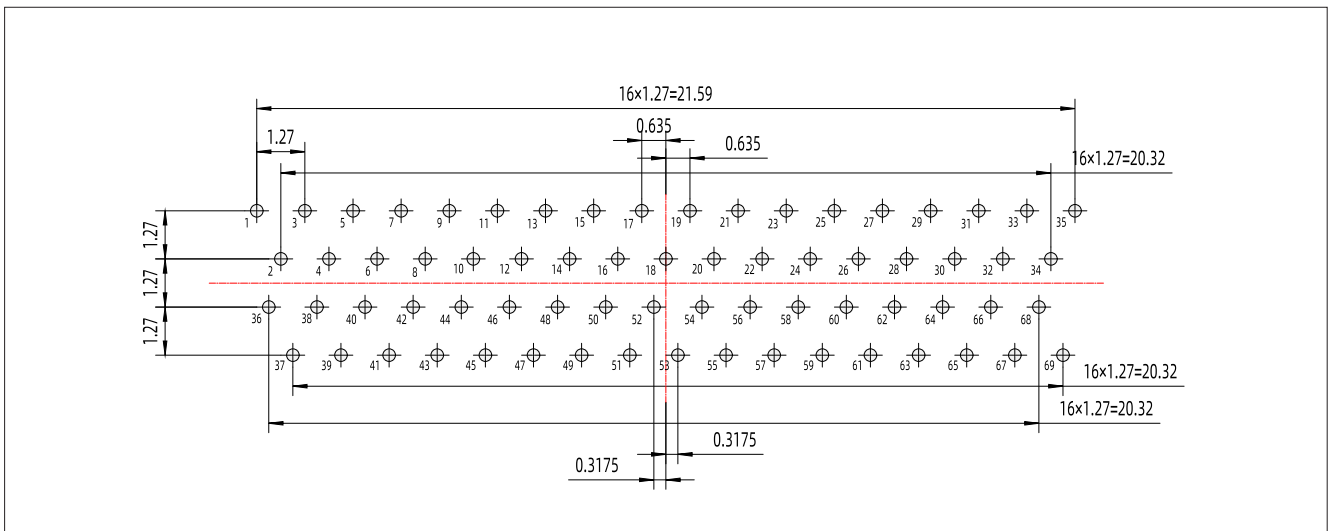
连接器到印制板方向视图



**ND-2N51P-BV-JC**



**ND-2N65P-BV-JC**



**ND-2N69P-BV-JC**

## PCB receptacle-vertically mounted

ND - 2 N 25 S - BV JC

Series: ND

Contact Row: 2 rows

Shell Finish: N - Electroless nickel G - Cadmium S - Stainless steel shell

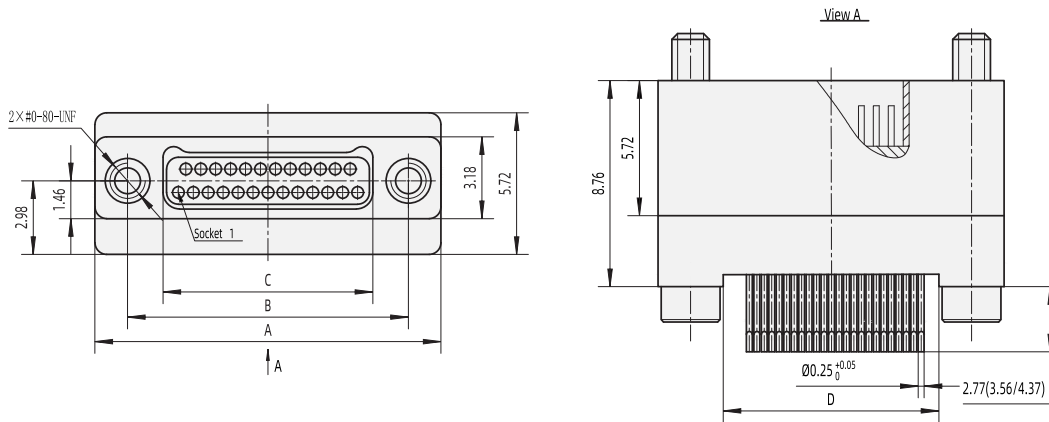
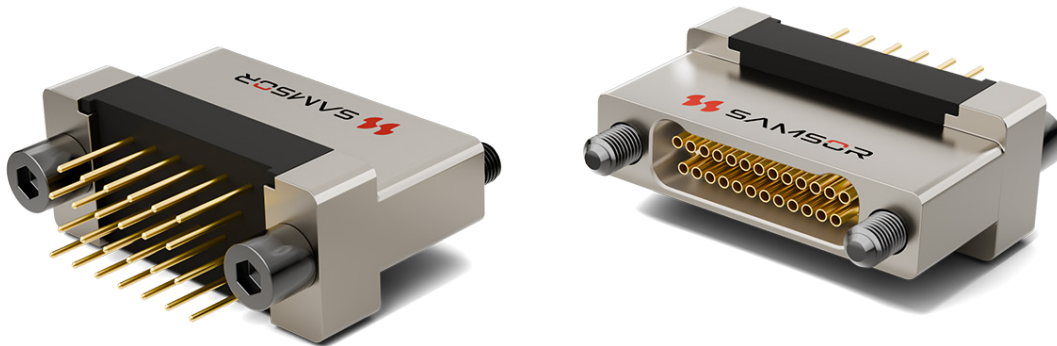
Number Of Contacts: 9, 15, 21, 25, 31, 37, 51, 65, 69

Type Of Contacts: S - sockets

Type Of Contact tail: BV - Vertical to PCB

Locking Hardware Type:

00 - No hardware JC - Locking screw( hexagon socket ) JC1 - Locking screw( straight slot )



Contacts	9	15	21	25	31	37	51	65	69
A	9.53	11.43	13.34	14.61	16.51	18.42	22.86	27.31	28.58
B	6.86	8.76	10.67	11.94	13.84	15.75	20.19	24.64	25.91
C	4.14	6.05	7.95	9.22	11.13	13.03	17.48	21.92	23.19
D	4.32	6.22	8.13	9.4	11.3	13.21	17.66	22.1	23.37

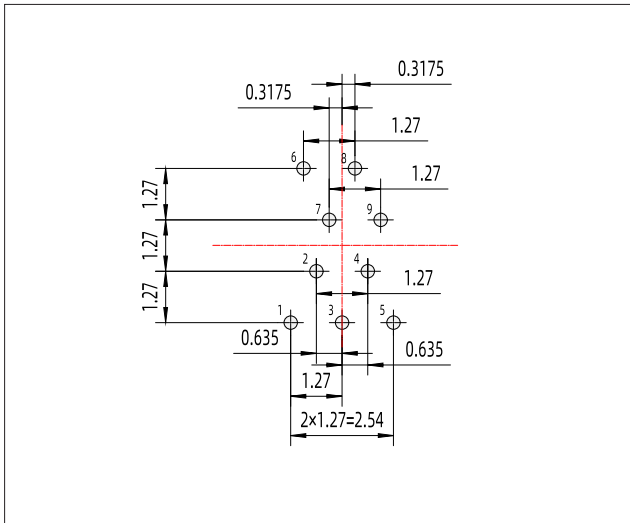
### ND Series

Jan 2025, V1.0

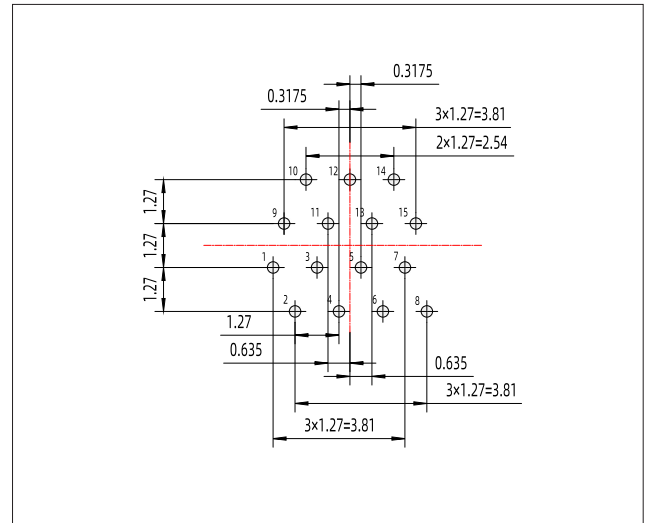
Please visit the official website to download 3D models: [www.samsor.com](http://www.samsor.com)

**ND-2NxxS-BVJC 印制板开孔尺寸**

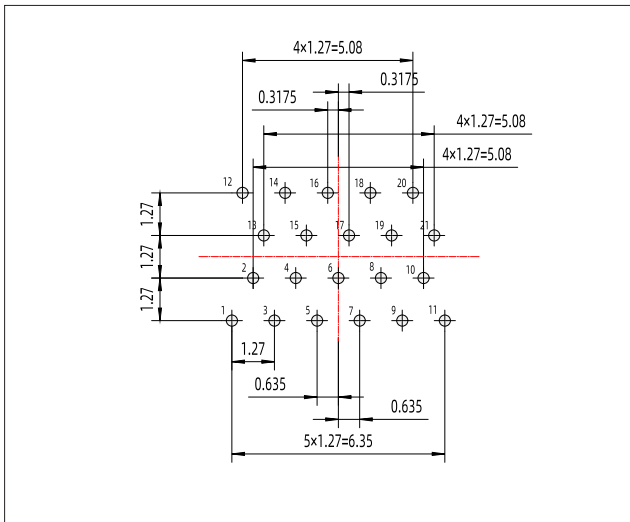
连接器到印制板方向视图



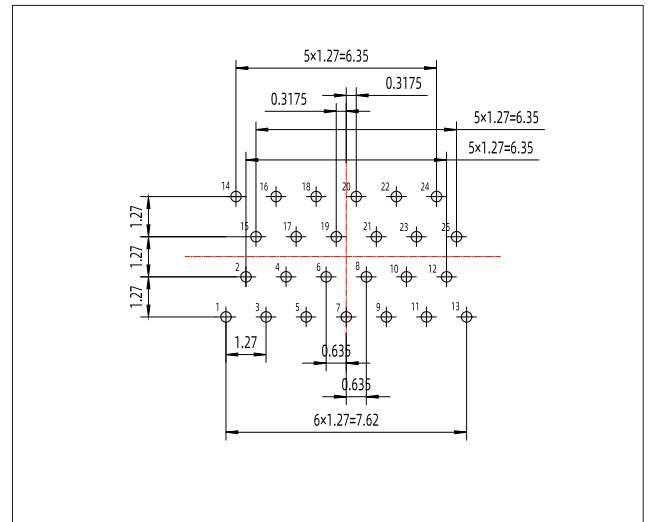
**ND-2N9S-BV-JC**



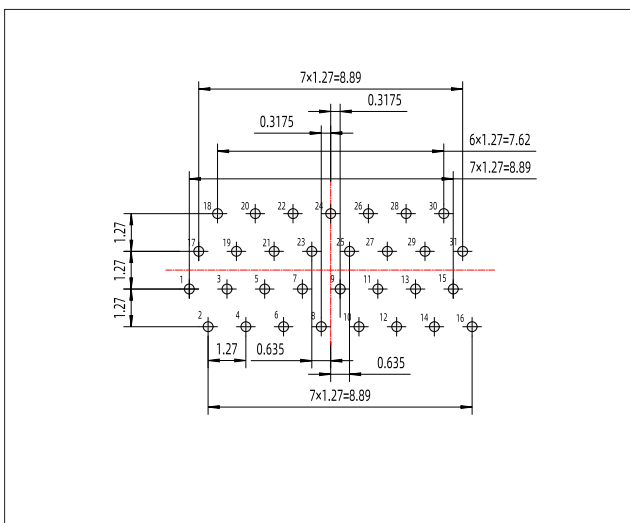
**ND-2N15S-BV-JC**



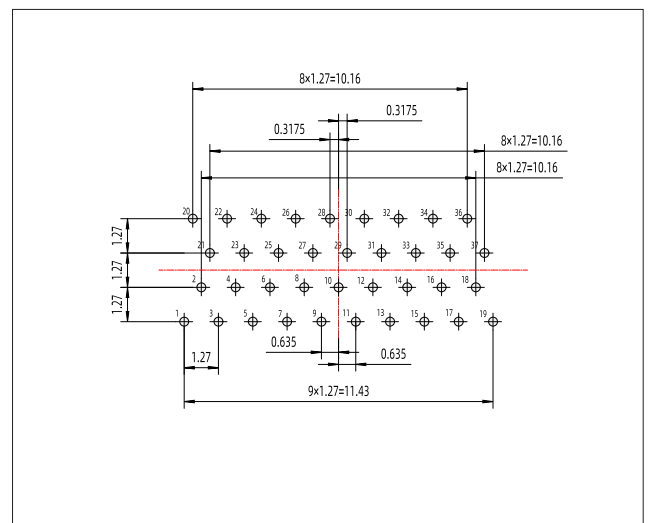
**ND-2N21S-BV-JC**



**ND-2N25S-BV-JC**



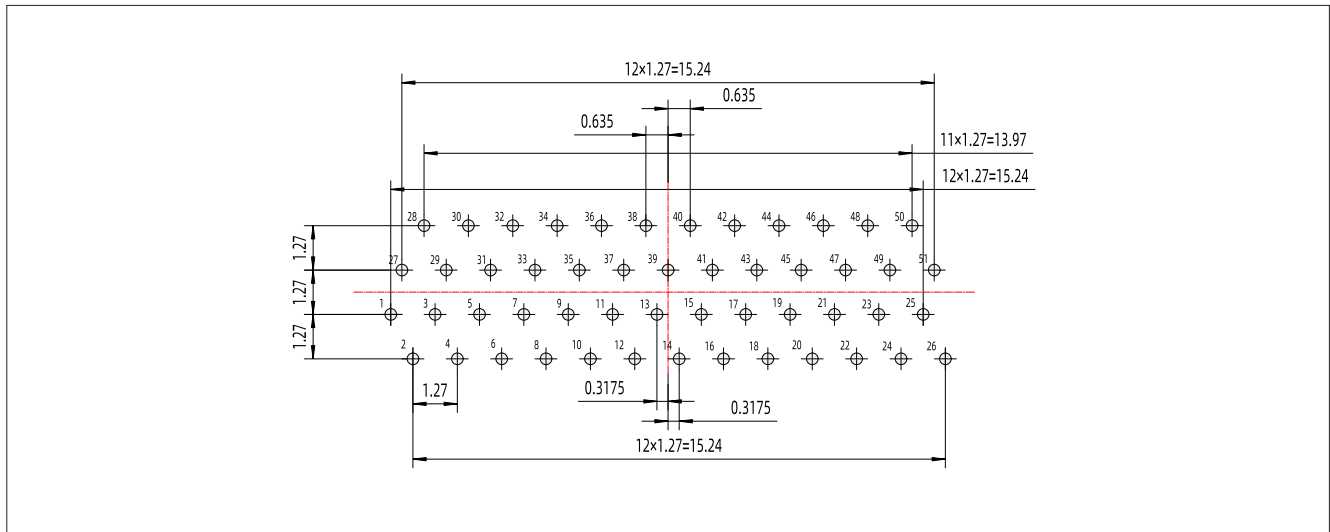
**ND-2N31S-BV-JC**



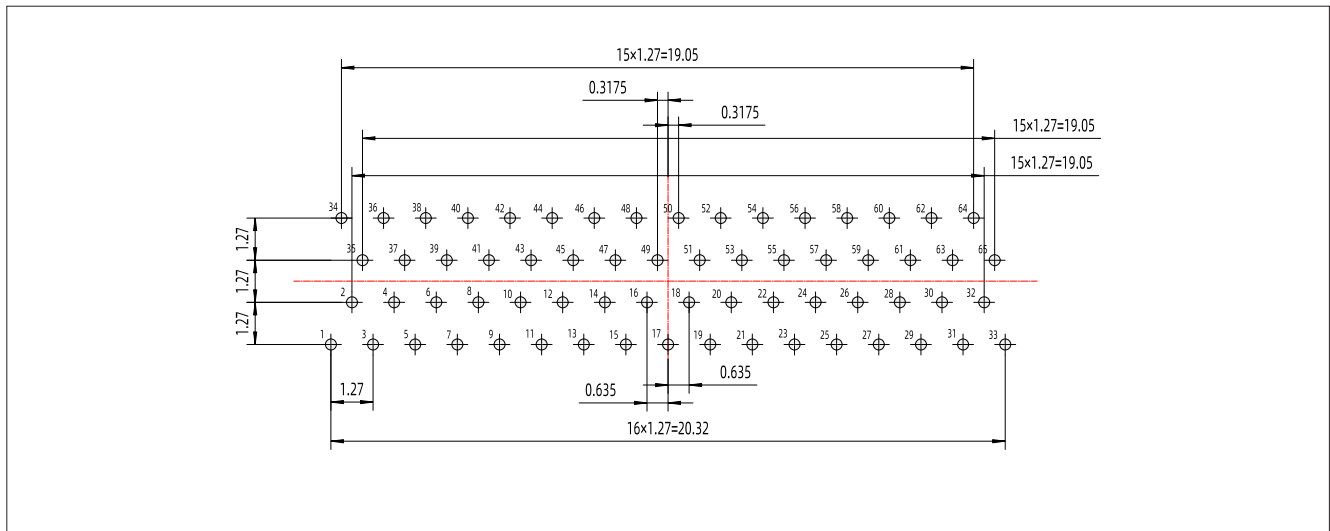
**ND-2N37S-BV-JC**

**ND-2NxxS-BVJC 印制板开孔尺寸**

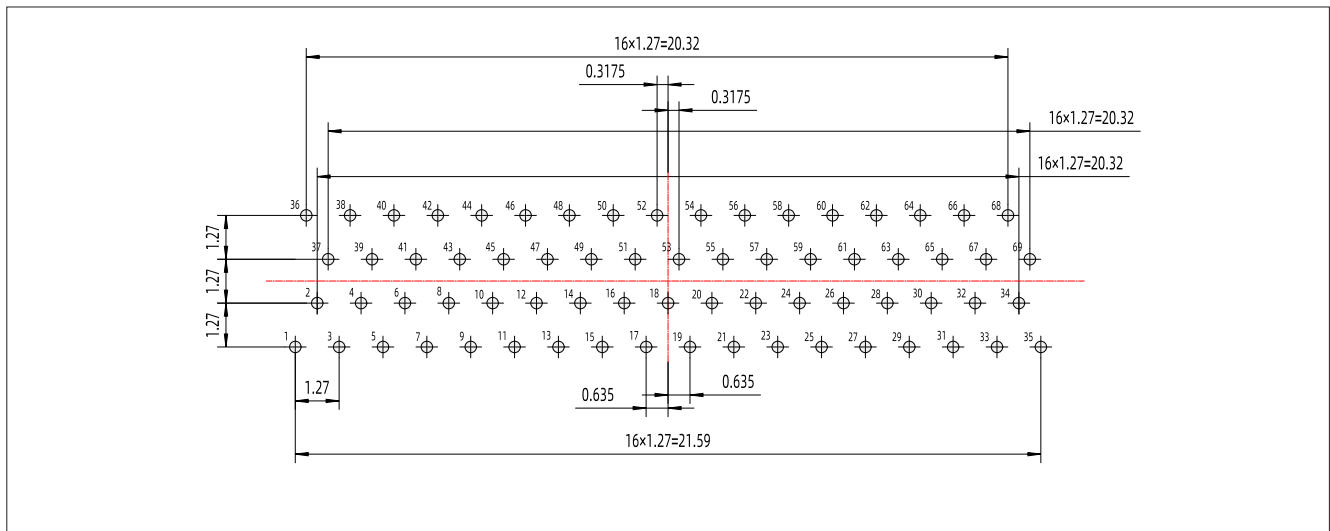
连接器到印制板方向视图



**ND-2N51S-BV-JC**



**ND-2N65S-BV-JC**



**ND-2N69S-BV-JC**

## PCB receptacle-vertically mounted

ND - 2 N 25 S - BV TH

Series: ND

Contact Row: 2 rows

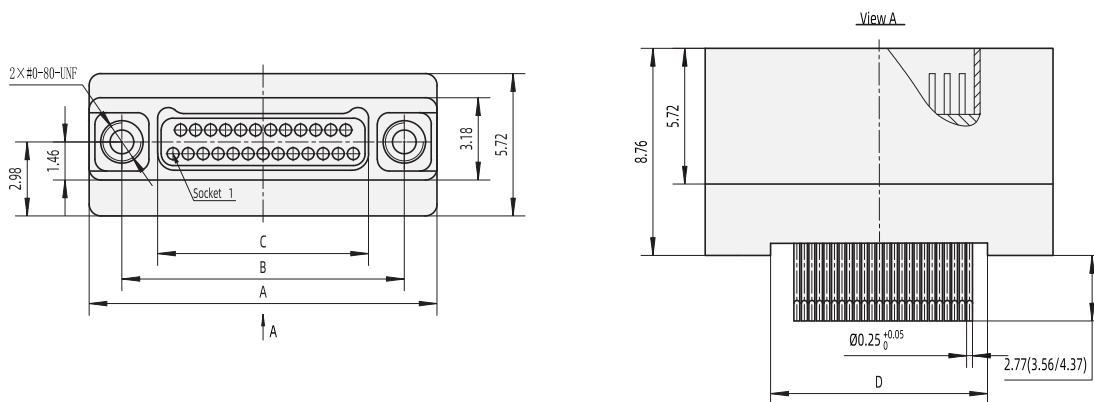
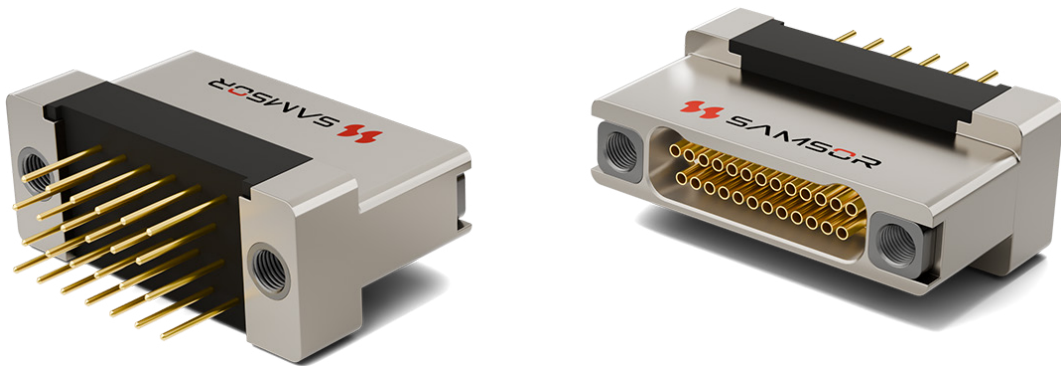
Shell Finish: N - Electroless nickel G - Cadmium S - Stainless steel shell

Number Of Contacts: 9, 15, 21, 25, 31, 37, 51, 65, 69

Type Of Contacts: S - sockets

Type Of Contact tail: BV - Vertical to PCB

Locking Hardware Type: TH - Threaded hole #0-80 UNF



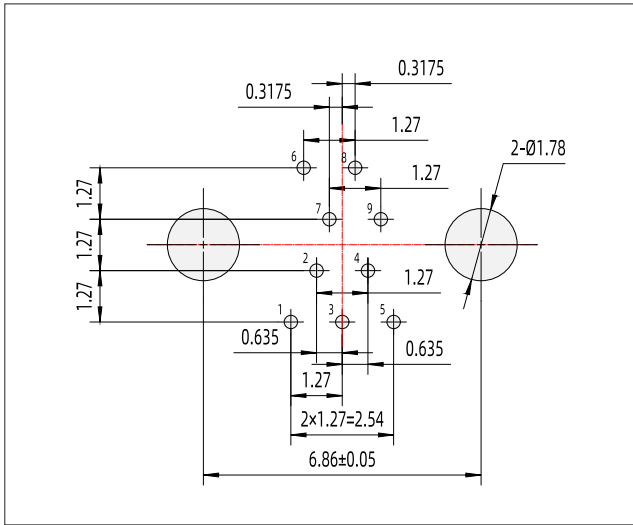
Contacts	9	15	21	25	31	37	51	65	69
A	9.53	11.43	13.34	14.61	16.51	18.42	22.86	27.31	28.58
B	6.86	8.76	10.67	11.94	13.84	15.75	20.19	24.64	25.91
C	4.14	6.05	7.95	9.22	11.13	13.03	17.48	21.92	23.19
D	4.32	6.22	8.13	9.4	11.3	13.21	17.66	22.1	23.37

ND Series

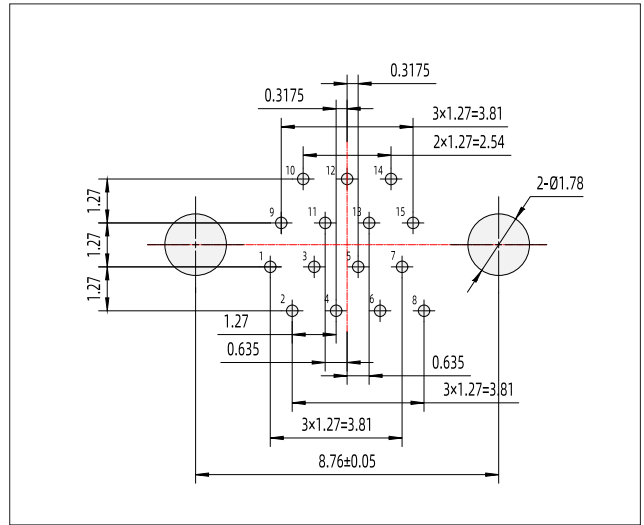
AA-47

**ND-2NxxS-BVTH 印制板开孔尺寸**

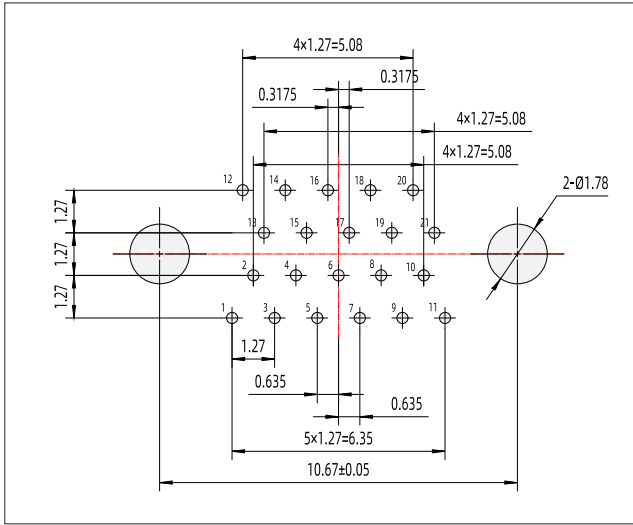
连接器到印制板方向视图



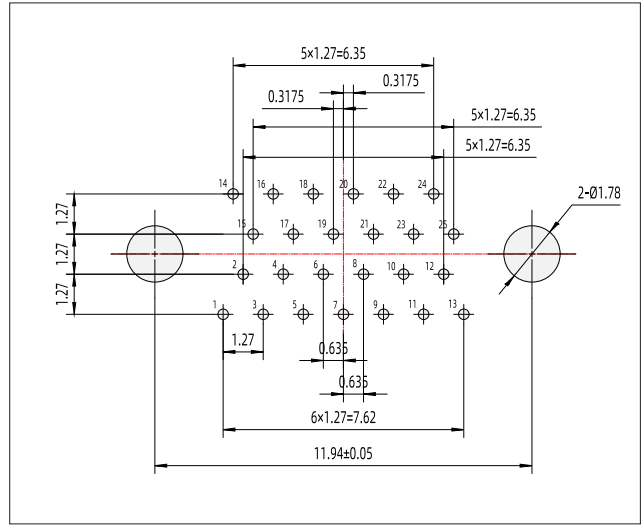
**ND-2N9S-BV-TH**



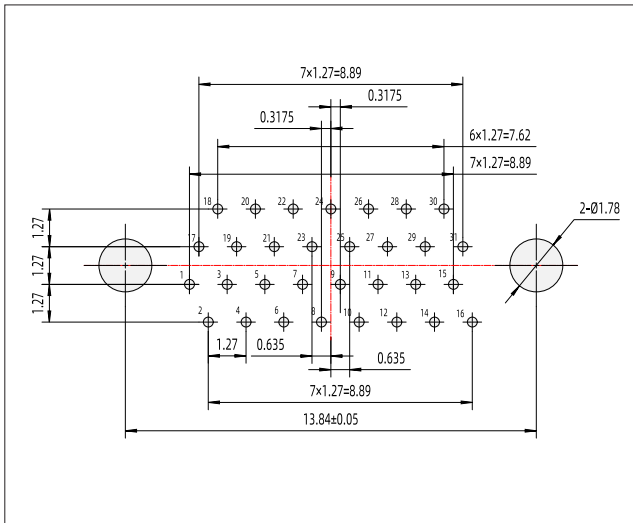
**ND-2N15S-BV-TH**



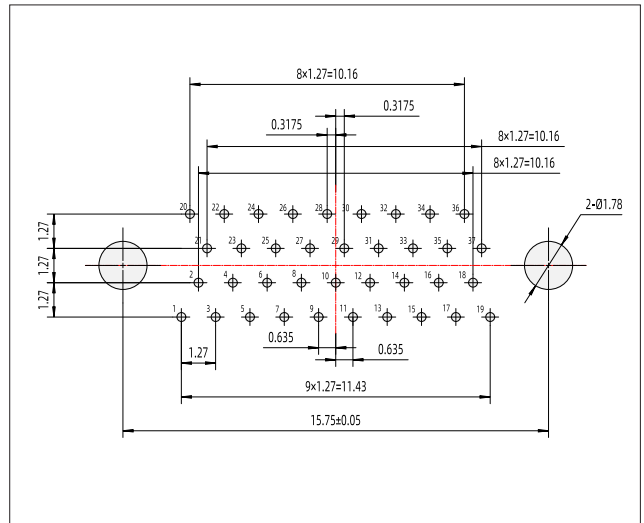
**ND-2N21S-BV-TH**



**ND-2N25S-BV-TH**



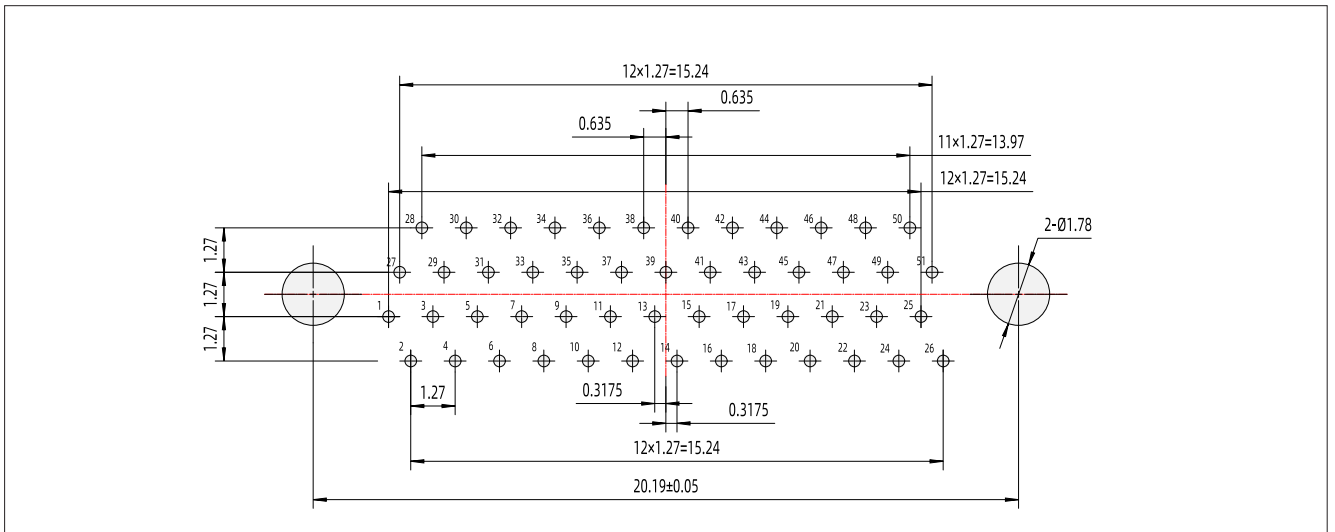
**ND-2N31S-BV-TH**



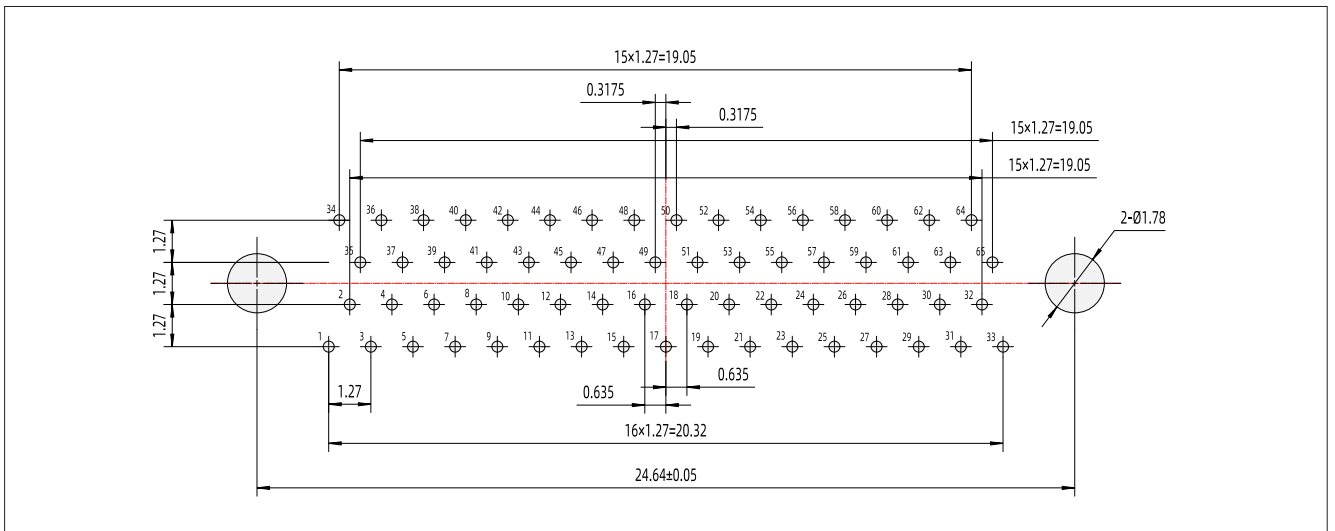
**ND-2N37S-BV-TH**

**ND-2NxxS-BVTH 印制板开孔尺寸**

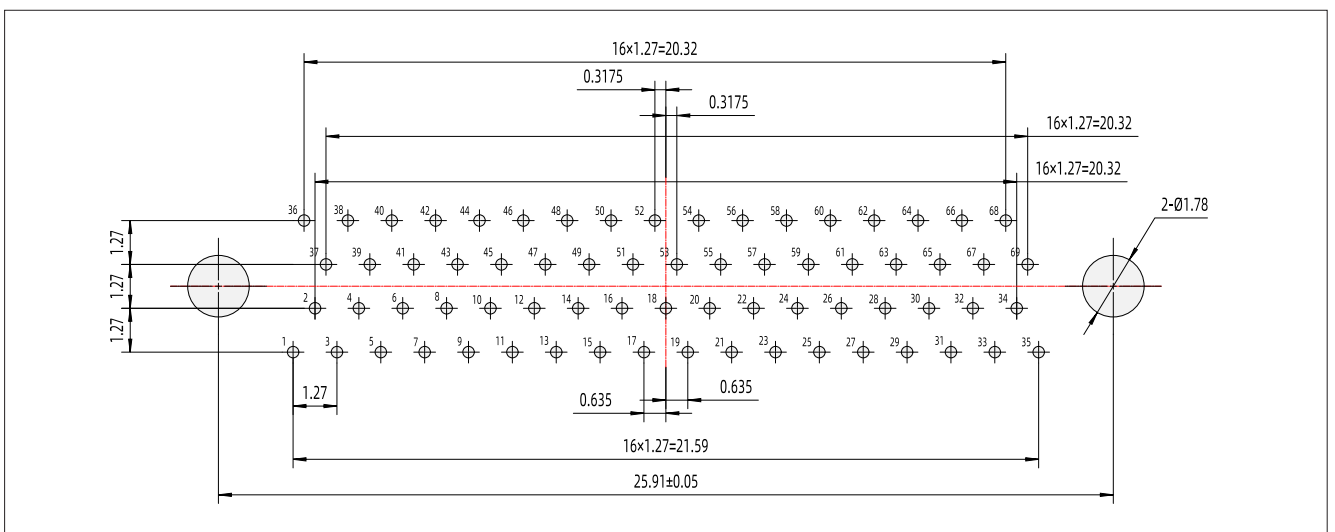
连接器到印制板方向视图



**ND-2N51S-BV-TH**



**ND-2N65S-BV-TH**



**ND-2N69S-BV-TH**

## Plug-Straddle Mount

ND - 2 N 25 P - SS TH

Series: ND

Contact Row: 2 rows

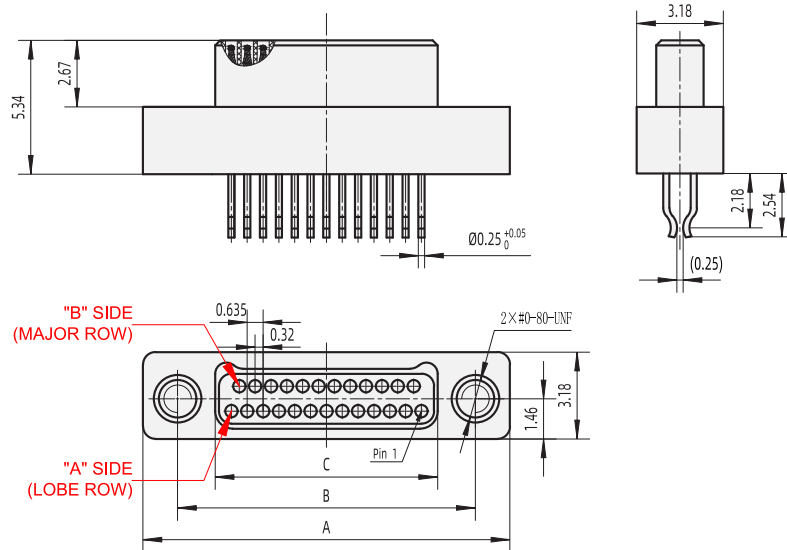
Shell Finish: N - Electroless nickel G - Cadmium S - Stainless steel shell

Number Of Contacts: 9, 15, 21, 25, 31, 37, 51, 65, 69

Type Of Contacts: P - pins

Type Of Contact tail: SS - Straddle Mount

Locking Hardware Type: TH - Threaded hole #0-80 UNF



Contacts	9	15	21	25	31	37	51	65	69
A	9.53	11.43	13.34	14.61	16.51	18.42	22.86	27.31	28.58
B	6.86	8.76	10.67	11.94	13.84	15.75	20.19	24.64	25.91
C	4.06	5.97	7.87	9.14	11.05	12.95	17.40	21.84	23.11

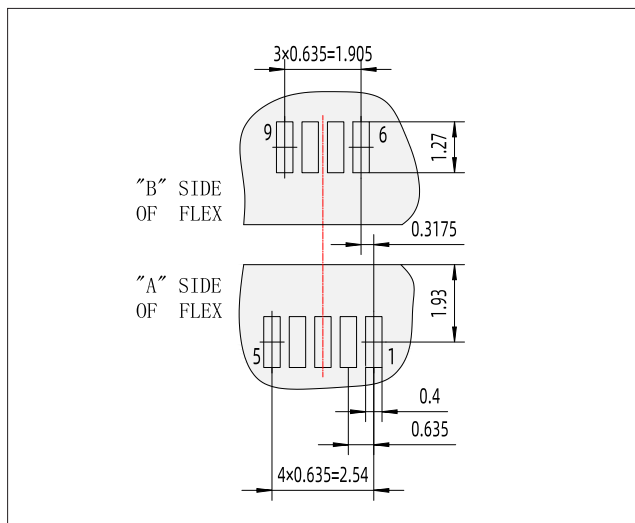
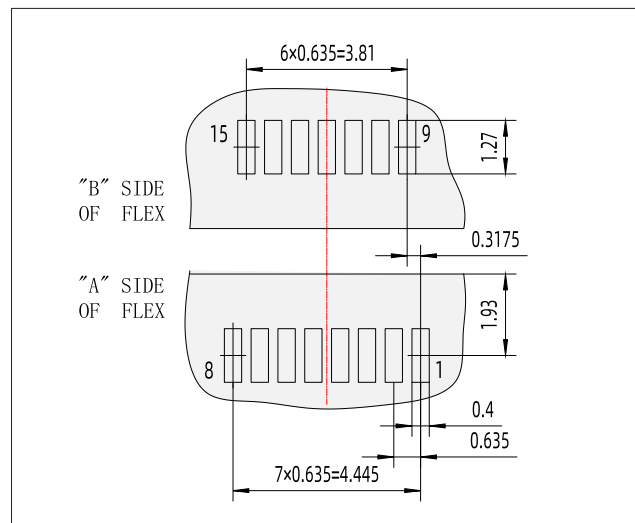
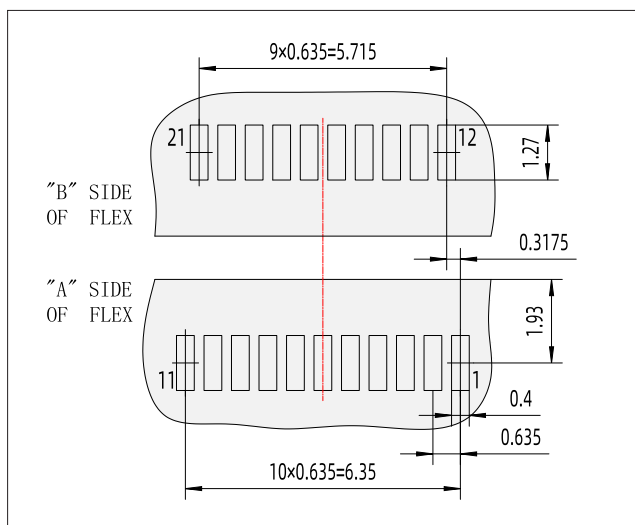
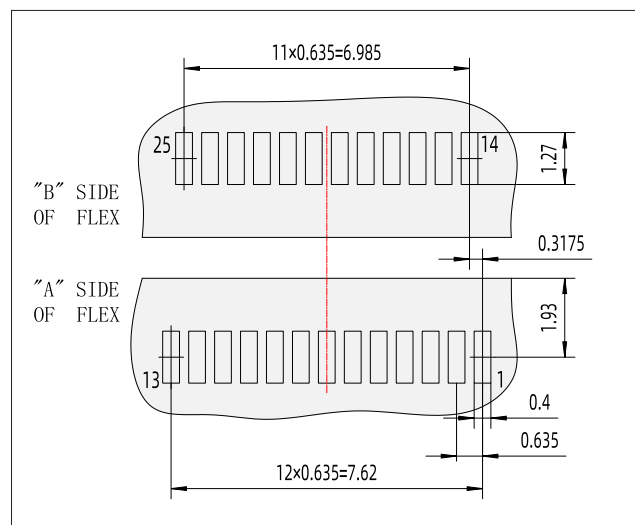
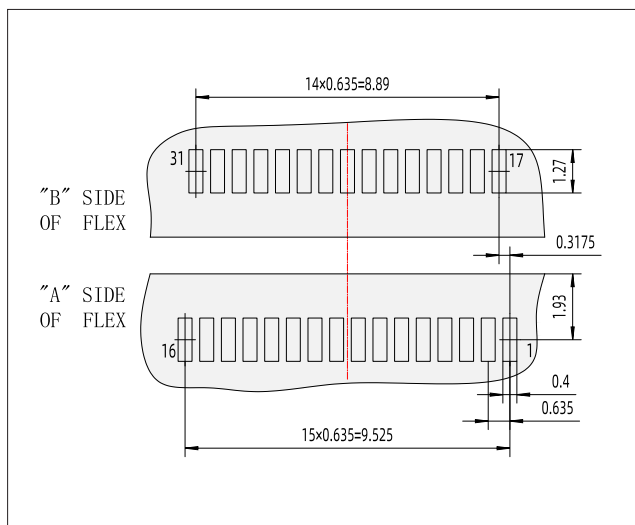
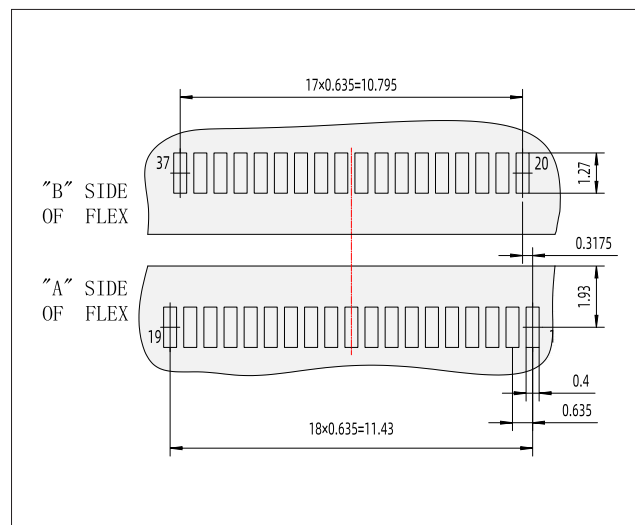
### ND Series

Jan 2025, V1.0

Please visit the official website to download 3D models: [www.samsor.com](http://www.samsor.com)

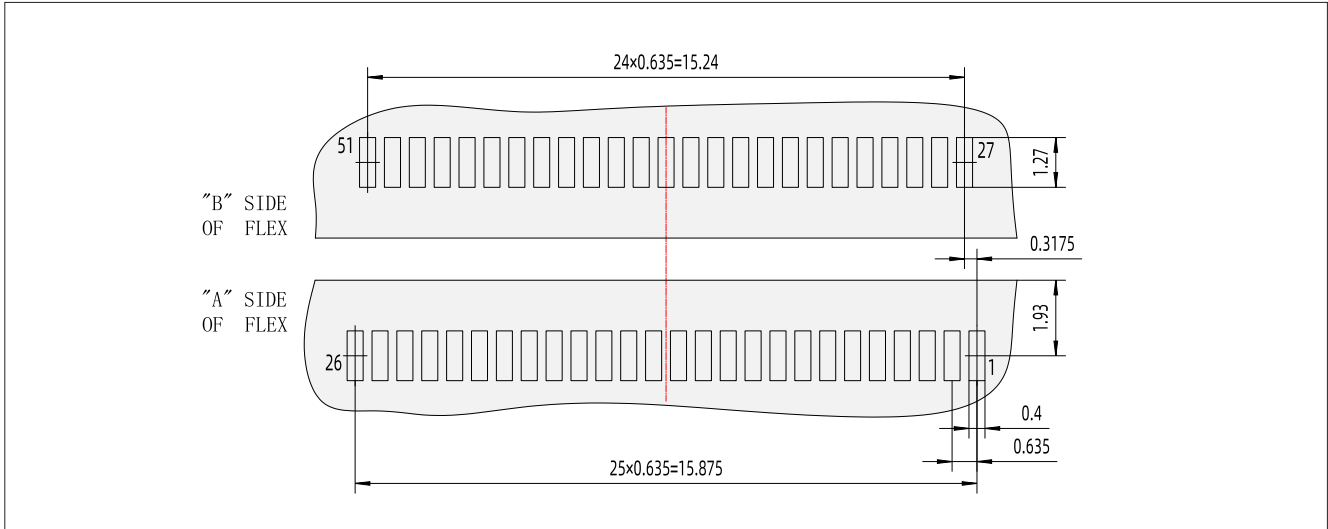
**ND-2NxxP-SSTH 印制板开孔尺寸**

连接器到印制板方向视图

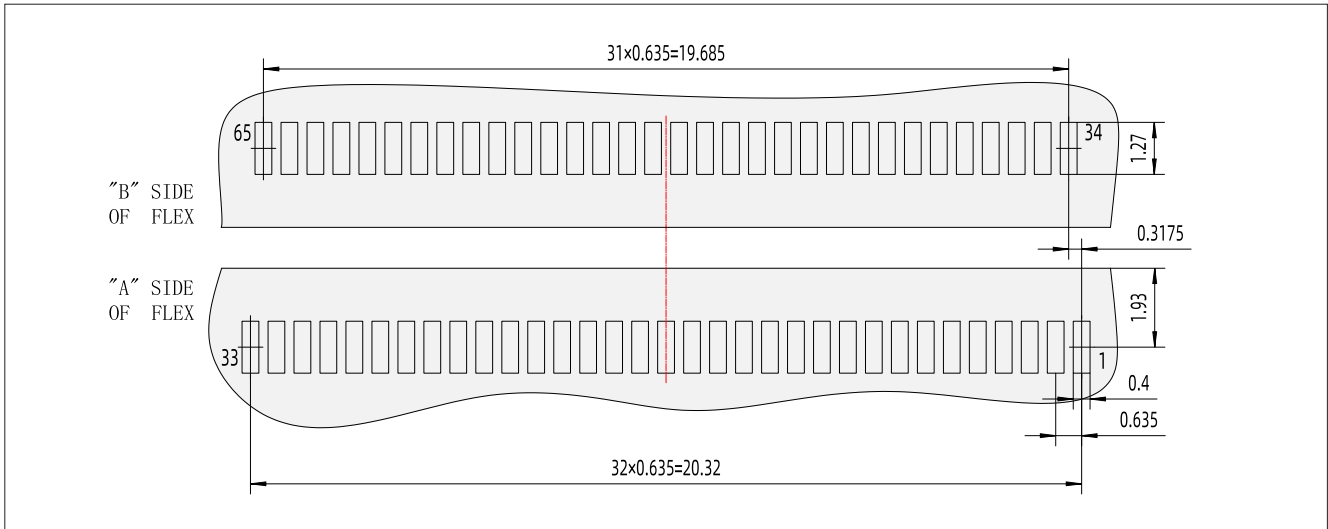

**ND-2N9P-SS-TH**

**ND-2N15P-SS-TH**

**ND-2N21P-SS-TH**

**ND-2N25P-SS-TH**

**ND-2N31P-SS-TH**

**ND-2N37P-SS-TH**

**ND-2NxxP-SSTH 印制板开孔尺寸**

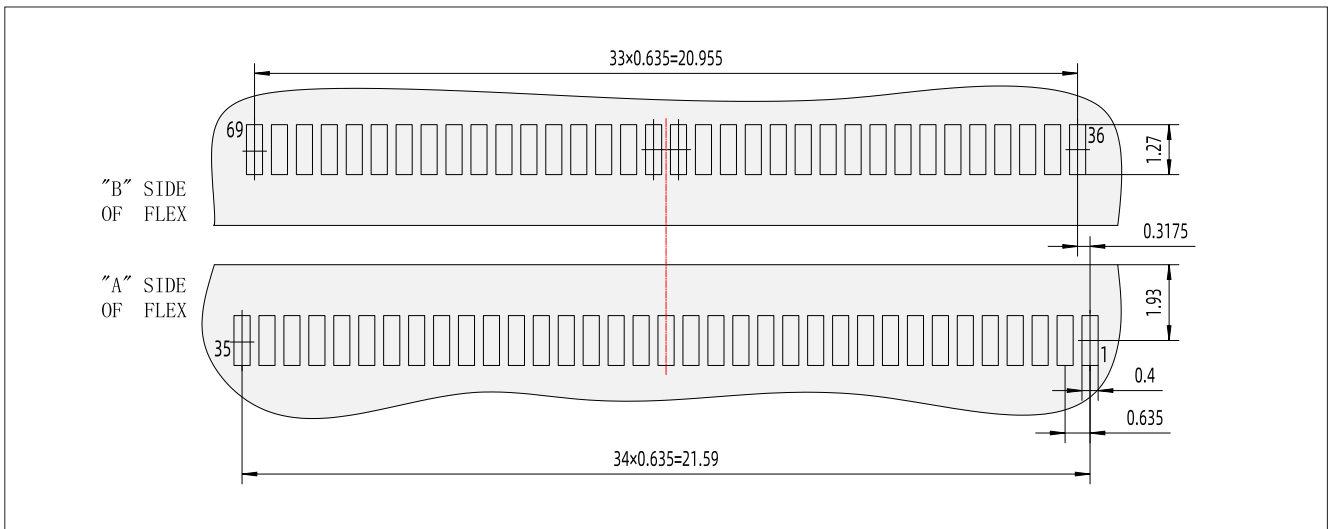
连接器到印制板方向视图



**ND-2N51P-SS-TH**



**ND-2N65P-SS-TH**



**ND-2N69P-SS-TH**

## Plug-Straddle Mount

ND	-	2	N	25	P	-	SS	JC
----	---	---	---	----	---	---	----	----

Series: ND

Contact Row: 2 rows

Shell Finish: N - Electroless nickel    G - Cadmium    S - Stainless steel shell

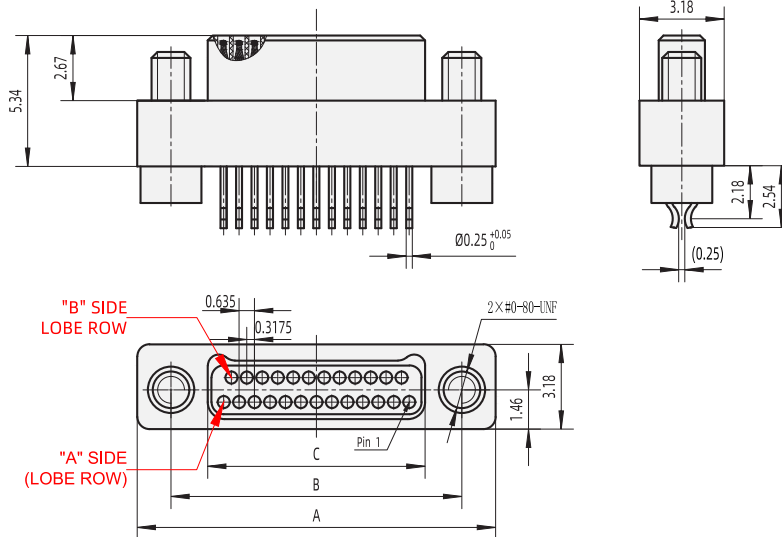
Number Of Contacts: 9, 15, 21, 25, 31, 37, 51, 65, 69

Type Of Contacts: P - pins

Type Of Contact tail: SS - Straddle Mount

Locking Hardware Type:

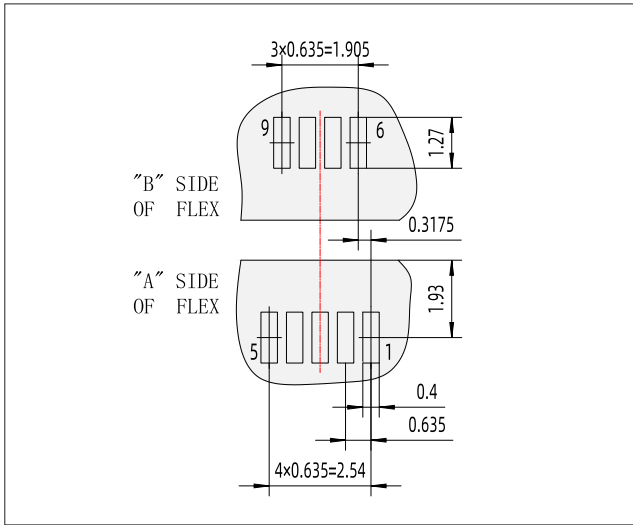
00 - No hardware    JC - Locking screw( hexagon socket )    JC1 - Locking screw( straight slot )



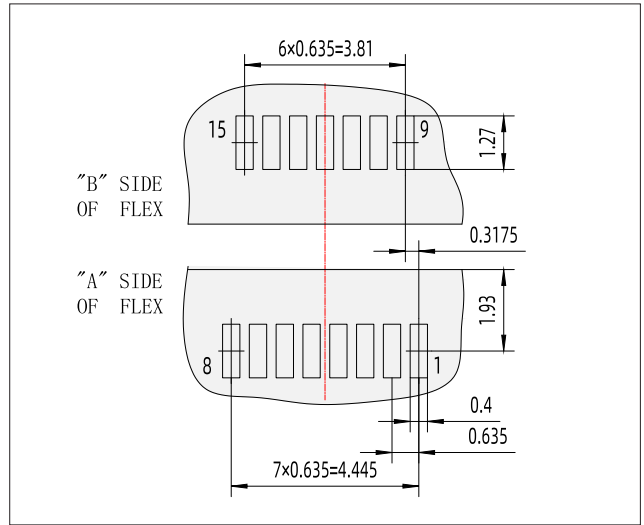
Contacts	9	15	21	25	31	37	51	65	69
A	9.53	11.43	13.34	14.61	16.51	18.42	22.86	27.31	28.58
B	6.86	8.76	10.67	11.94	13.84	15.75	20.19	24.64	25.91
C	4.06	5.97	7.87	9.14	11.05	12.95	17.40	21.84	23.11

**ND-2NxxP-SSJC 印制板开孔尺寸**

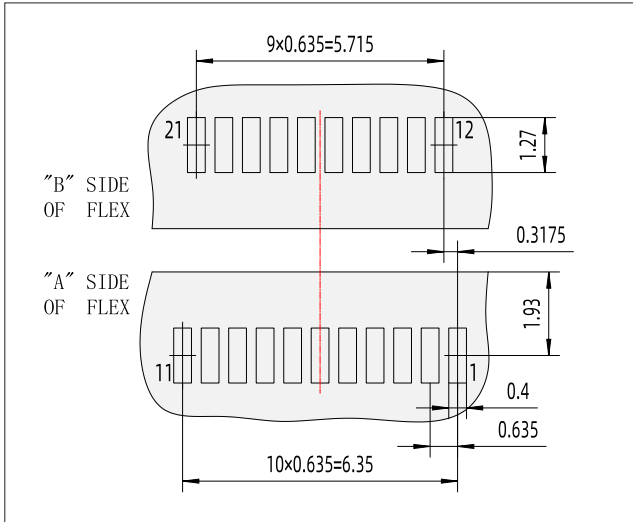
连接器到印制板方向视图



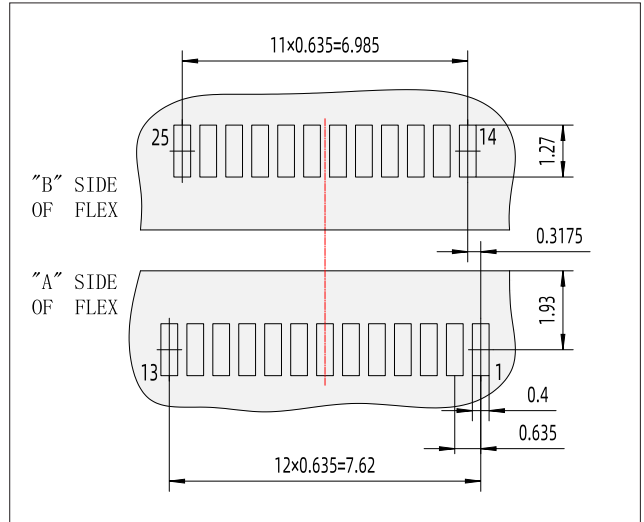
**ND-2N9P-SS-JC**



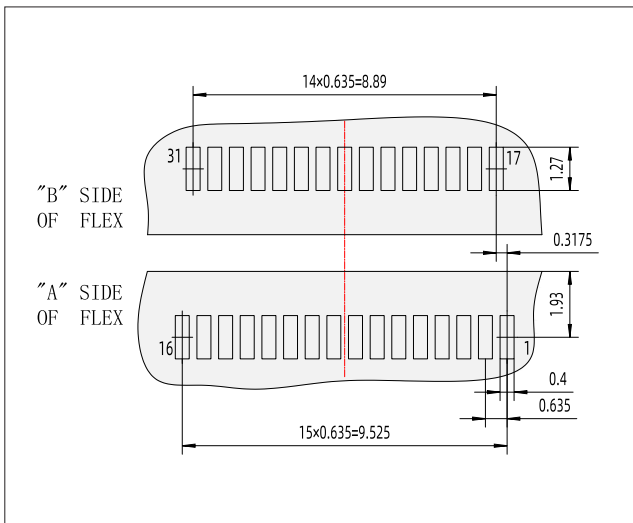
**ND-2N15P-SS-JC**



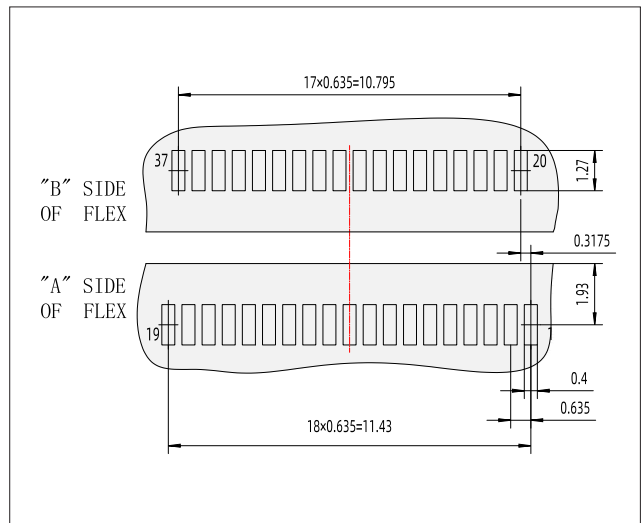
**ND-2N21P-SS-JC**



**ND-2N25P-SS-JC**



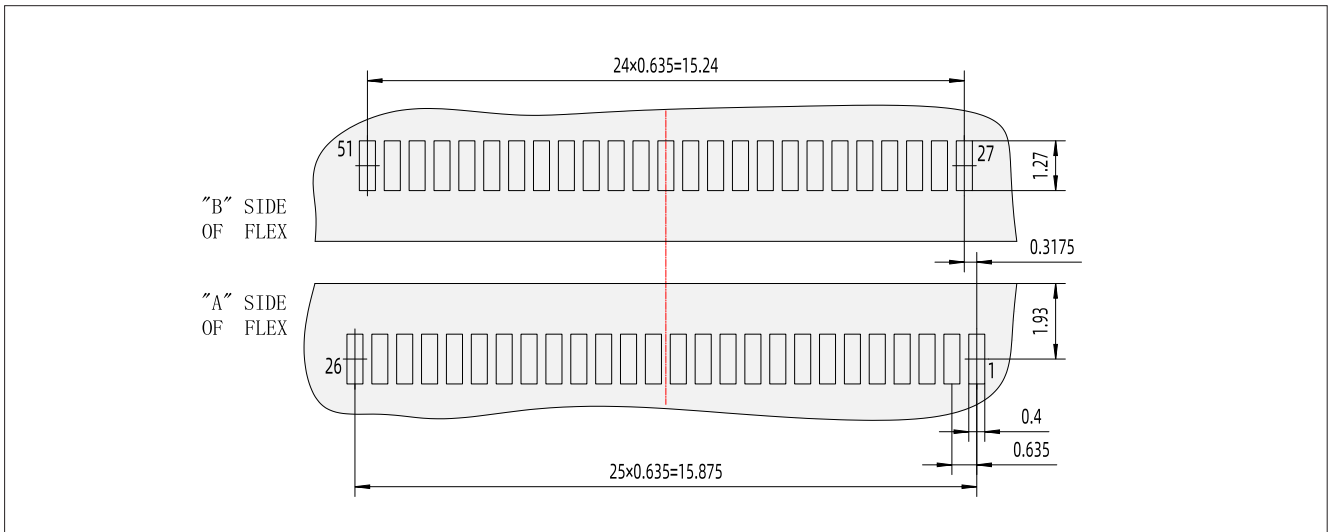
**ND-2N31P-SS-JC**



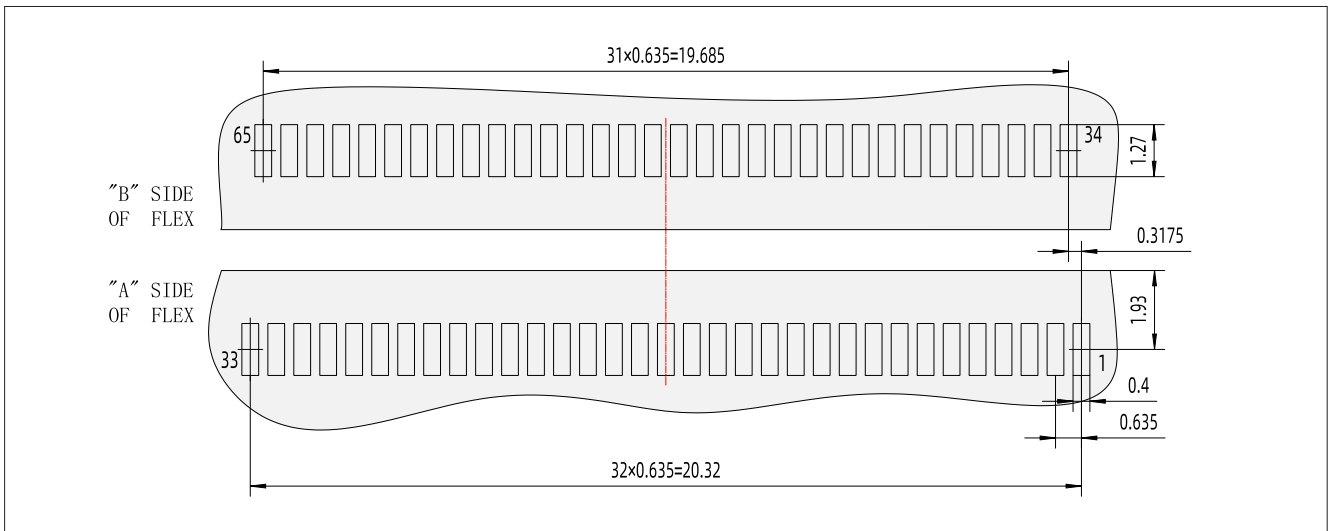
**ND-2N37P-SS-JC**

## ND-2NxxP-SSJC 印制板开孔尺寸

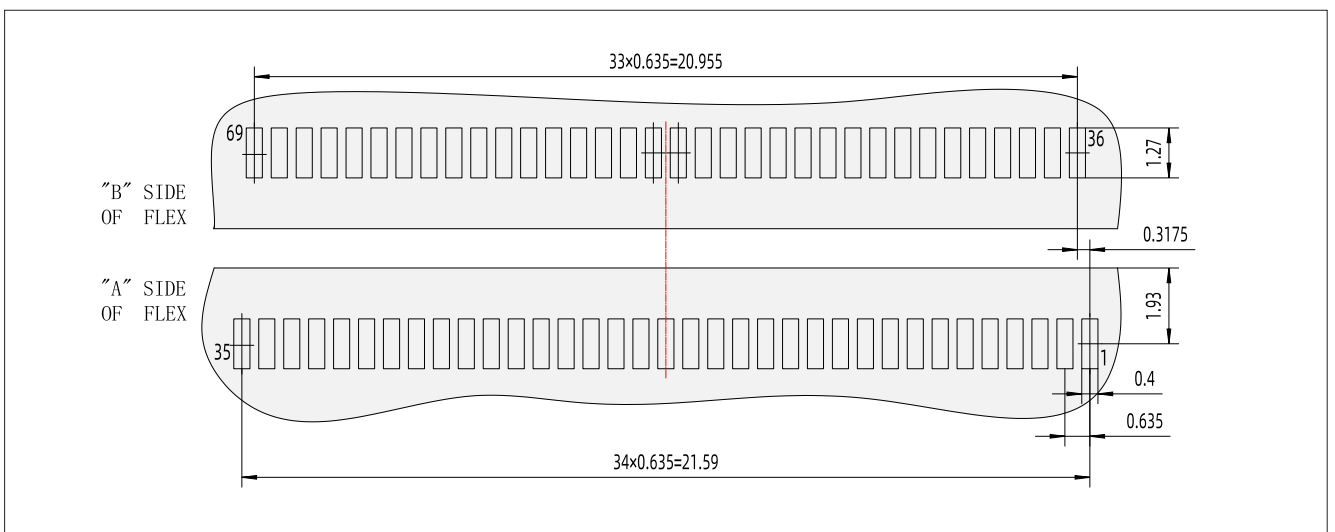
连接器到印制板方向视图



ND-2N51P-SS-JC



ND-2N65P-SS-JC



ND-2N69P-SS-JC

## Receptacle-Straddle Mount

ND - 2 N 25 S - SS TH

Series: ND

Contact Row: 2 rows

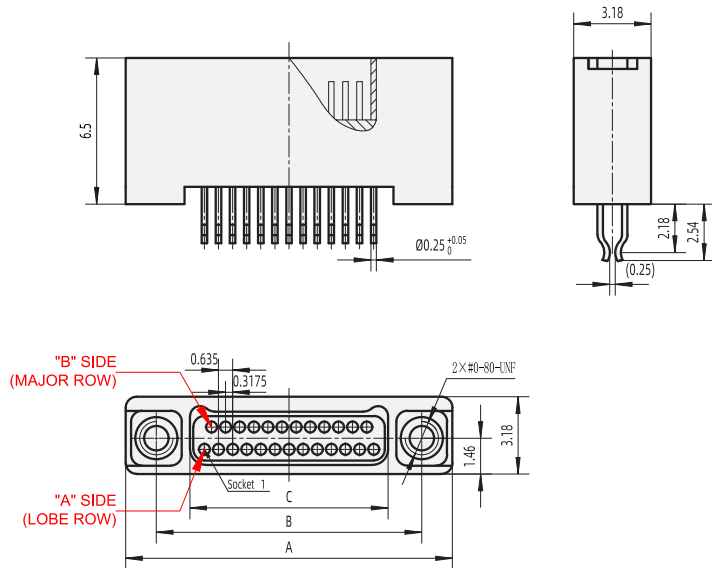
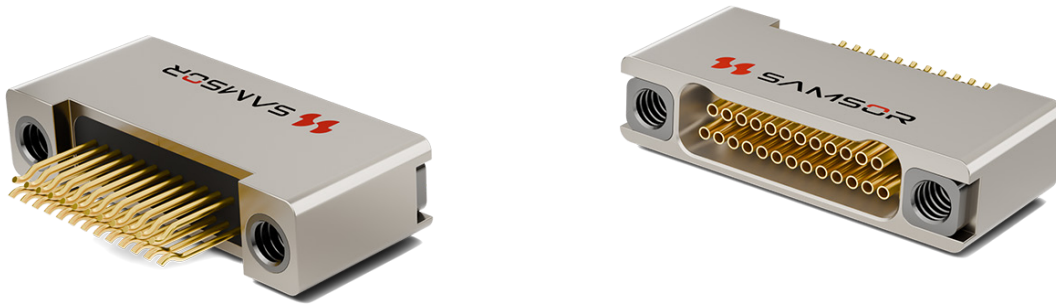
Shell Finish: N - Electroless nickel G - Cadmium S - Stainless steel shell

Number Of Contacts: 9, 15, 21, 25, 31, 37, 51, 65, 69

Type Of Contacts: S - socketss

Type Of Contact tail: SS - Straddle Mount

Locking Hardware Type: TH - Threaded hole #0-80 UNF



Contacts	9	15	21	25	31	37	51	65	69
A	9.53	11.43	13.34	14.61	16.51	18.42	22.86	27.31	28.58
B	6.86	8.76	10.67	11.94	13.84	15.75	20.19	24.64	25.91
C	4.14	6.05	7.95	9.22	11.13	13.03	17.48	21.92	23.19

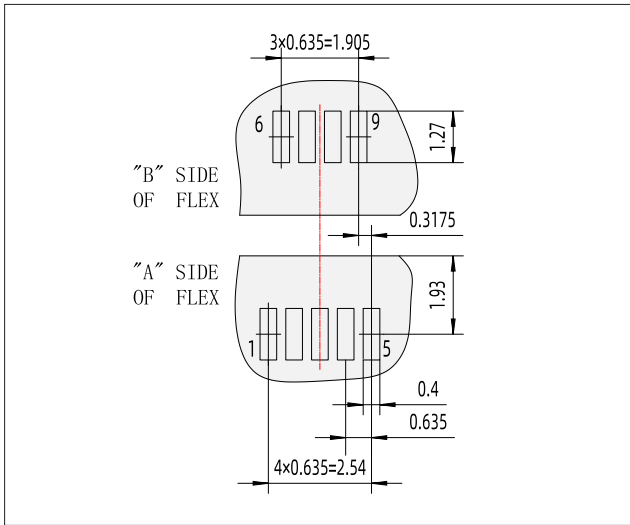
### ND Series

Jan 2025, V1.0

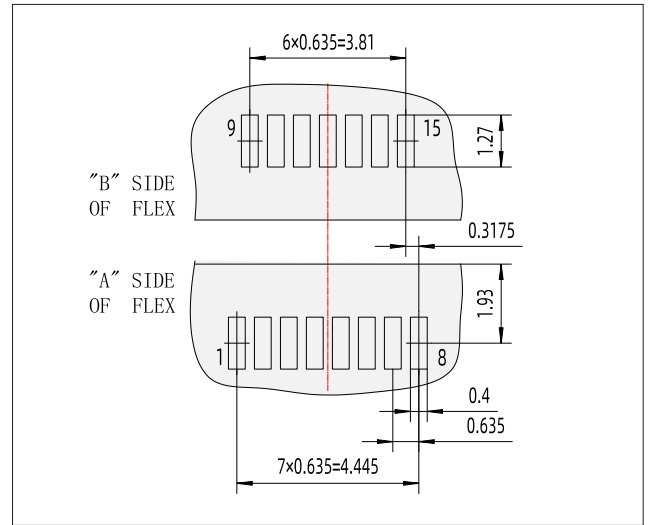
Please visit the official website to download 3D models: [www.samsor.com](http://www.samsor.com)

**ND-2NxxS-SSTH 印制板开孔尺寸**

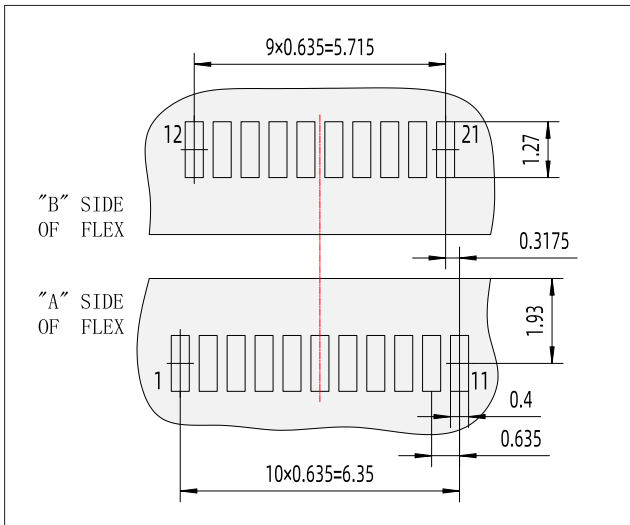
连接器到印制板方向视图



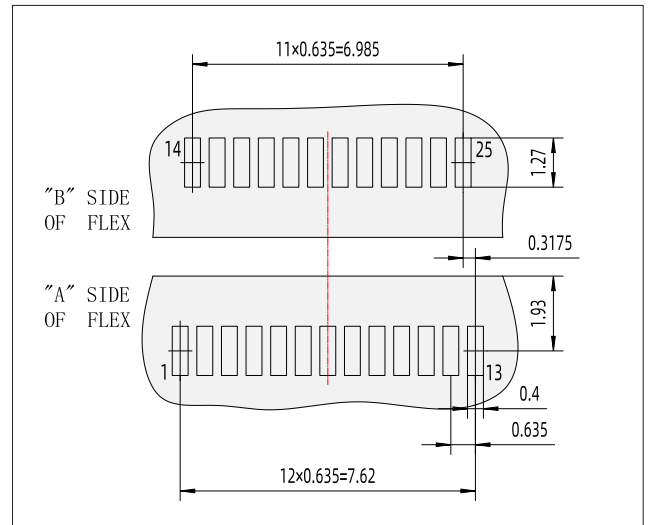
**ND-2N9S-SS-TH**



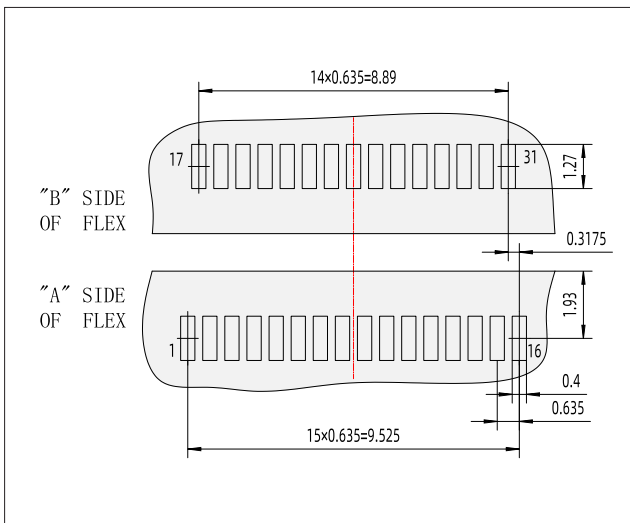
**ND-2N15S-SS-TH**



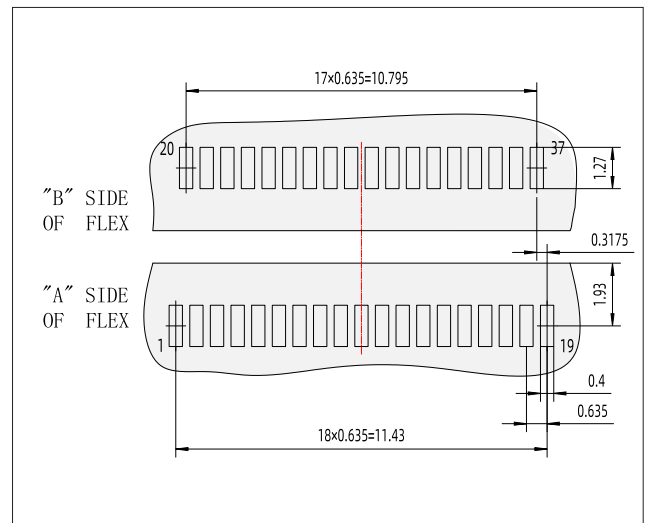
**ND-2N21S-SS-TH**



**ND-2N25S-SS-TH**



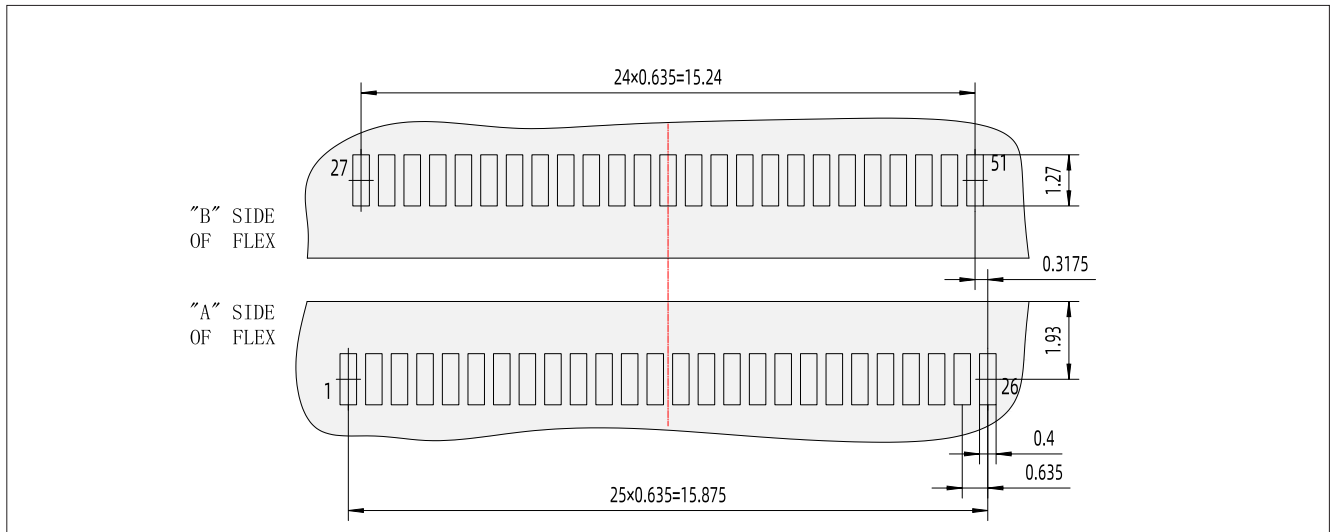
**ND-2N31S-SS-TH**



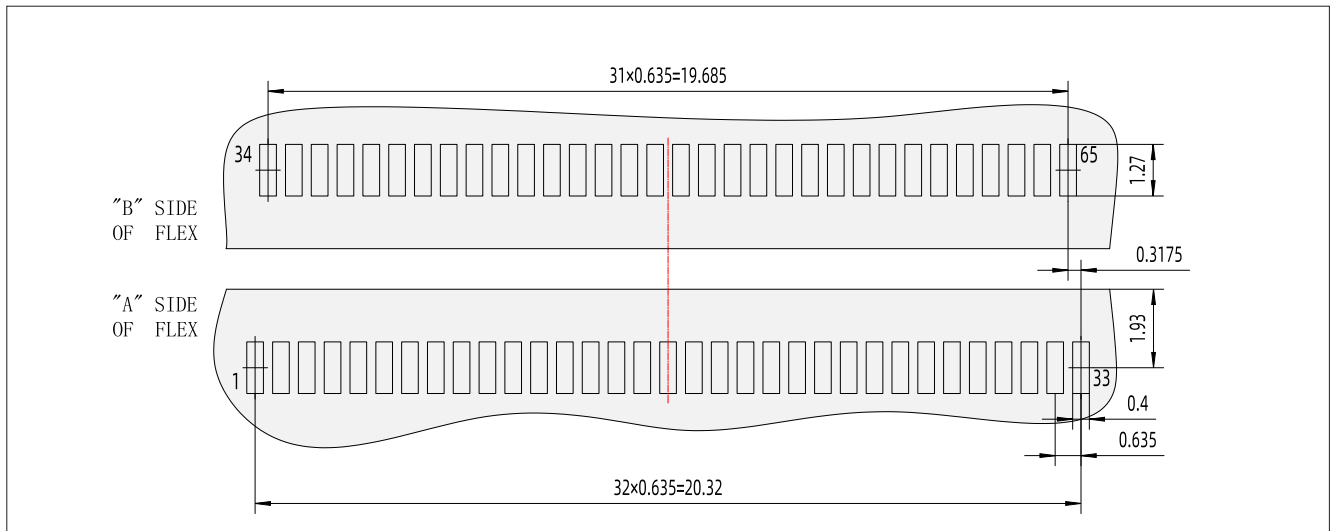
**ND-2N37S-SS-TH**

**ND-2NxS-SSTH 印制板开孔尺寸**

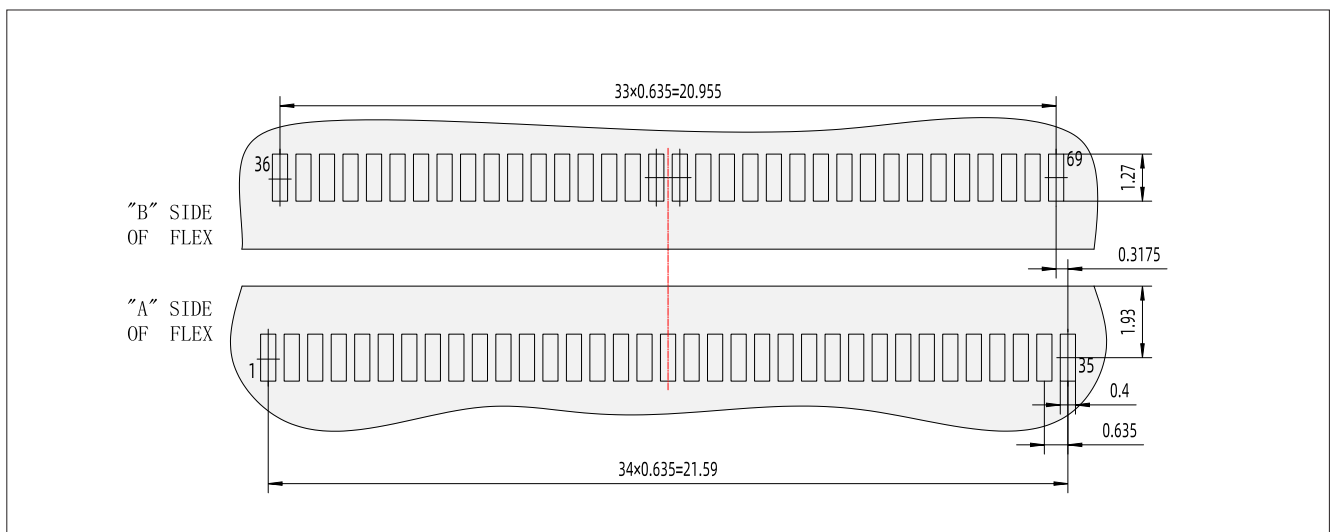
连接器到印制板方向视图



**ND-2N51S-SS-TH**



**ND-2N65S-SS-TH**



**ND-2N69S-SS-TH**

## Receptacle-Straddle Mount

ND	-	2	N	25	S	-	SS	JC
----	---	---	---	----	---	---	----	----

Series: ND

Contact Row: 2 rows

Shell Finish: N - Electroless nickel G - Cadmium S - Stainless steel shell

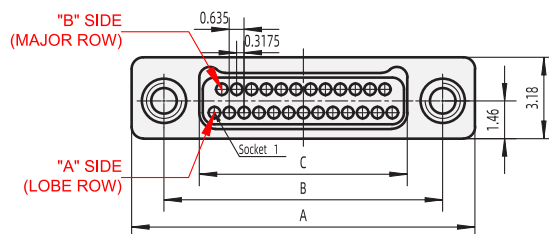
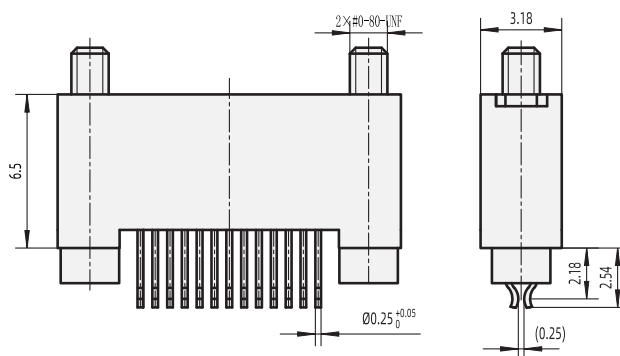
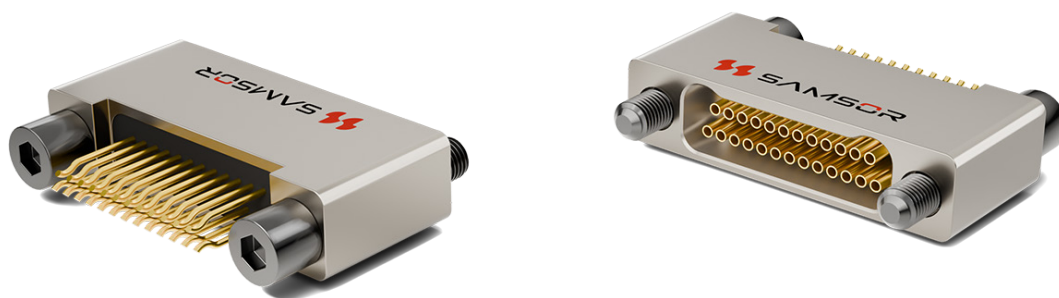
Number Of Contacts: 9, 15, 21, 25, 31, 37, 51, 65, 69

Type Of Contacts: S - sockets

Type Of Contact tail: SS - Straddle Mount

Locking Hardware Type:

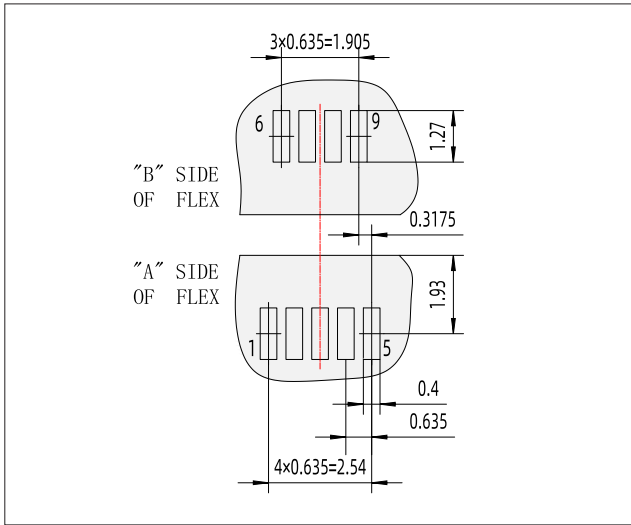
00 - No hardware JC - Locking screw( hexagon socket ) JC1 - Locking screw( straight slot )



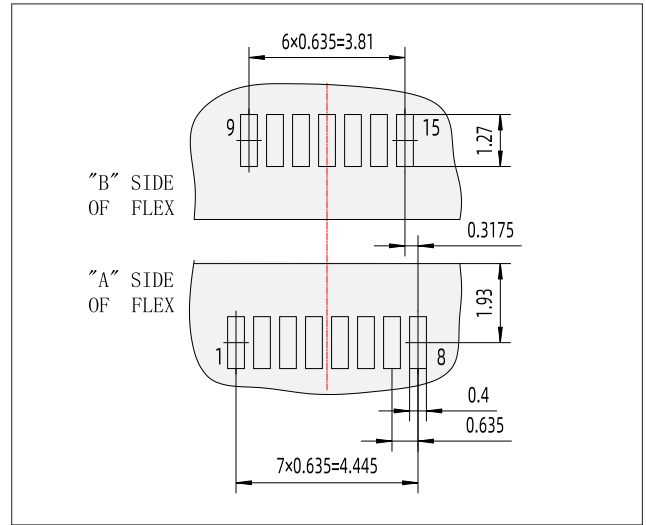
Contacts	9	15	21	25	31	37	51	65	69
A	9.53	11.43	13.34	14.61	16.51	18.42	22.86	27.31	28.58
B	6.86	8.76	10.67	11.94	13.84	15.75	20.19	24.64	25.91
C	4.14	6.05	7.95	9.22	11.13	13.03	17.48	21.92	23.19

**ND-2NxxS-SSJC 印制板开孔尺寸**

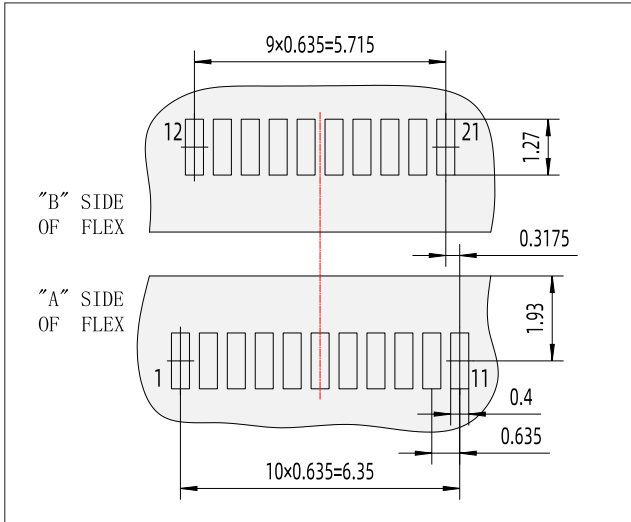
连接器到印制板方向视图



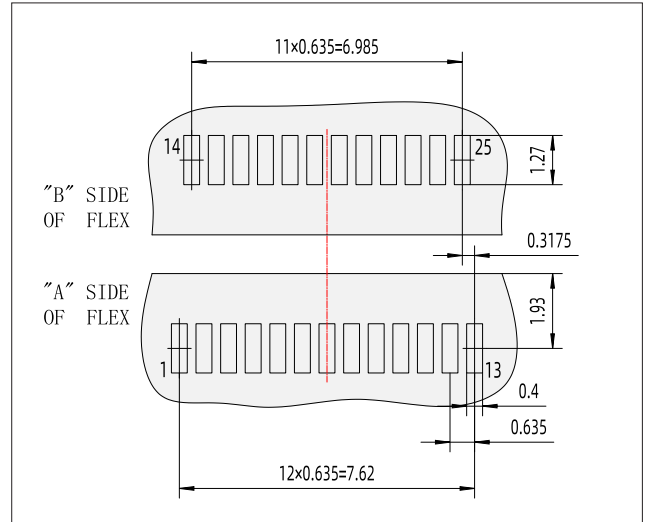
**ND-2N9S-SS-JC**



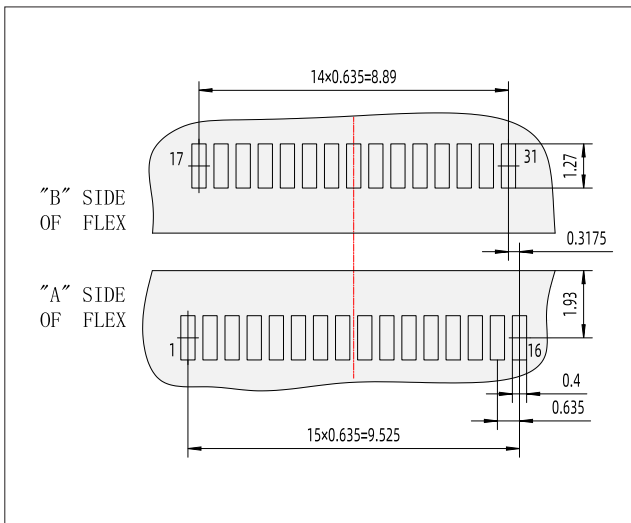
**ND-2N15S-SS-JC**



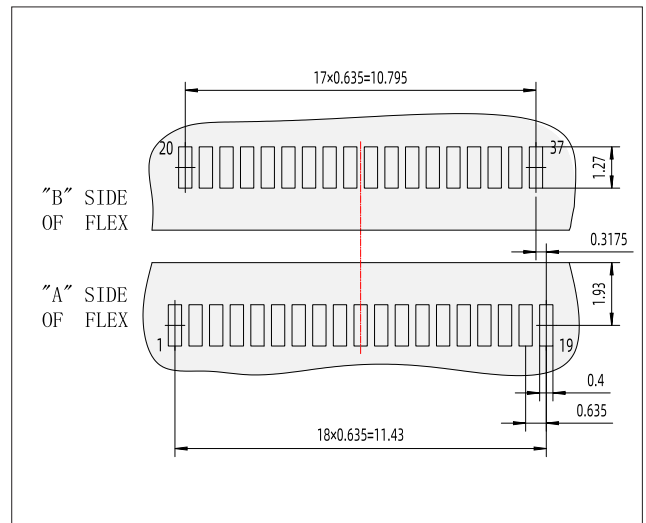
**ND-2N21S-SS-JC**



**ND-2N25S-SS-JC**



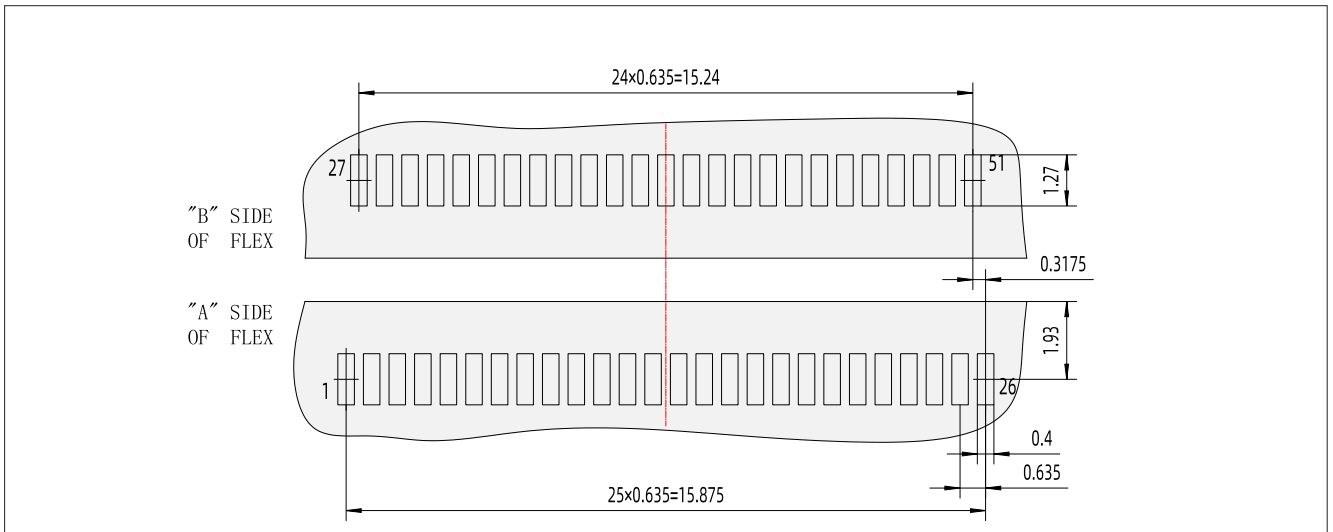
**ND-2N31S-SS-JC**



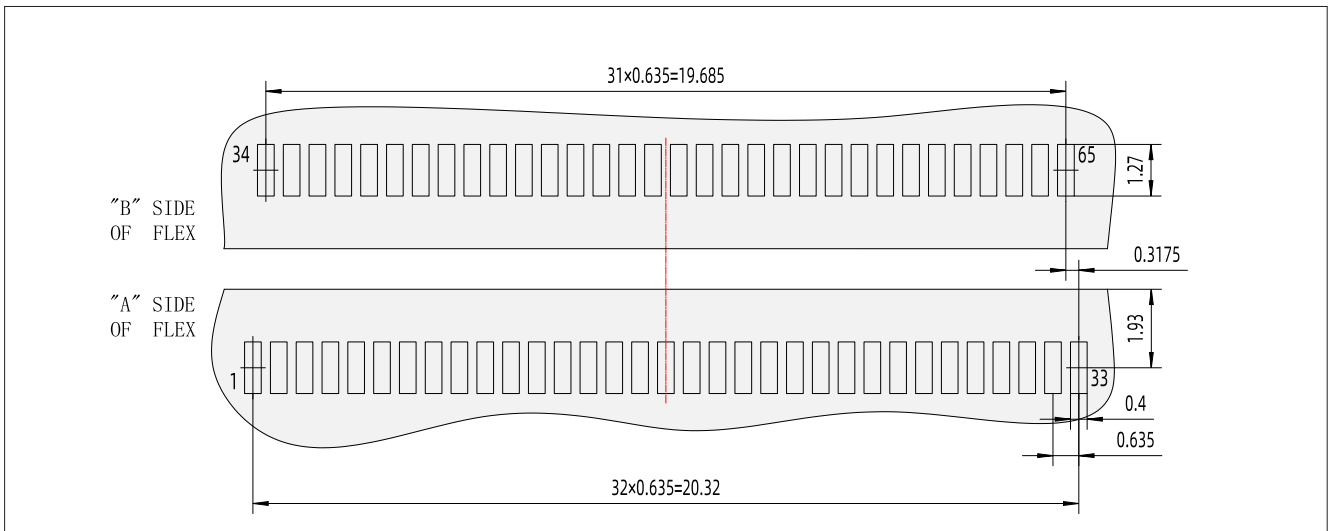
**ND-2N37S-SS-JC**

## ND-2NxxS-SSJC 印制板开孔尺寸

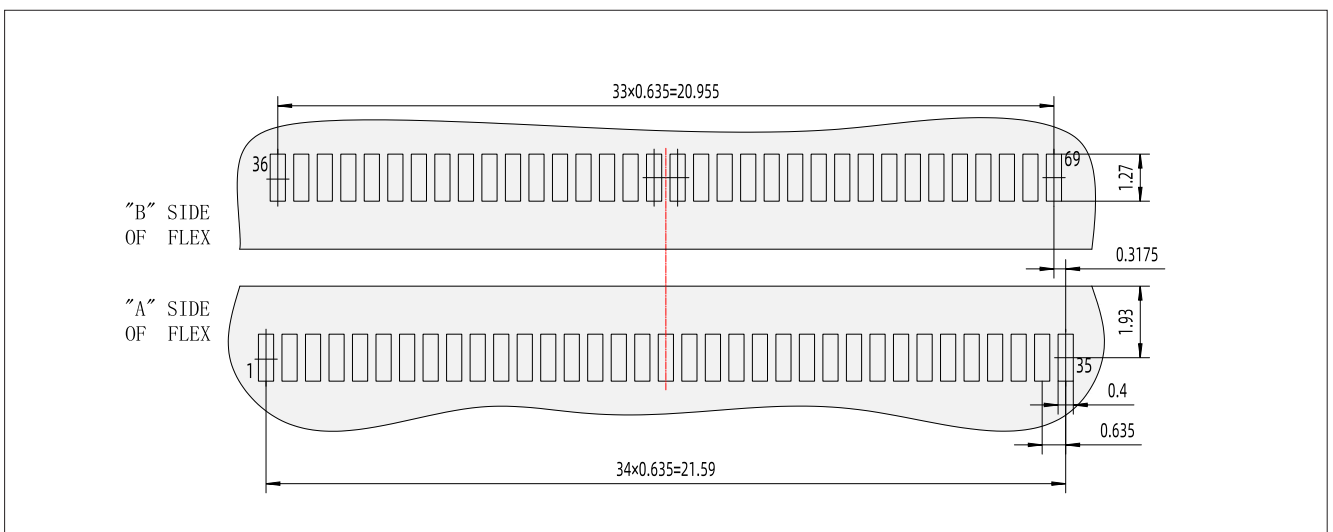
连接器到印制板方向视图



ND-2N51S-SS-JC



ND-2N65S-SS-JC



ND-2N69S-SS-JC