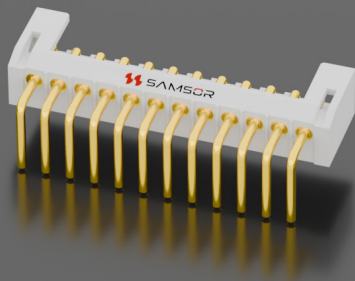
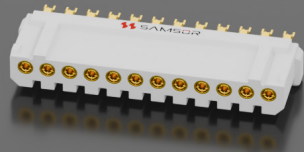
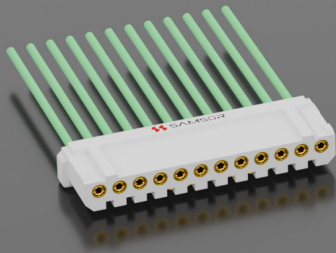
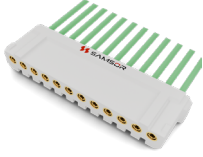
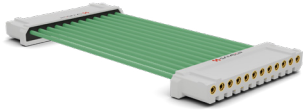

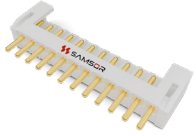
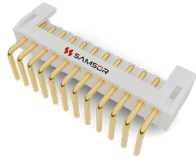


# JL35 Series

## PCB Connector



## Product Selection Guide

JL35 Standard Series		
 <p><b>2</b></p>	 <p><b>3</b></p>	 <p><b>4</b></p>
<p>Pre-wired Plug</p>	<p>Pre-wired Plug(Double-Ended Cable)</p>	<p>Solder Cup Plug</p>
 <p><b>5</b></p>	 <p><b>6</b></p>	
<p>Vertical PCB Receptacle</p>	<p>Right Angle PCB Receptacle</p>	

## Features

Corresponding to the National Military Standard GJB 1438A-2006
Number of Contacts: Available in 10 configurations with 2, 3, 4, 5, 6, 7, 8, 9, 10 and 12 pins
Hyperboloid spring socket contact structure, with 2.54mm standard grid spacing, arranged in a single row
Conductor cross-sectional area suitable for 0.07mm <sup>2</sup> to 0.2mm <sup>2</sup> . For thinner wires, modification is required; please specify when ordering. Default supply: 0.12mm <sup>2</sup> green high-temperature silver-plated wrapped wire

## Performance Specifications

<b>Operating Temperature:</b> -65°C~ +125°C	<b>Dielectric Withstand Voltage:</b> 1000V (AC)
<b>Rated Voltage:</b> 300V AC	<b>Durability:</b> 500 times
<b>Rated Current:</b> 3A	<b>Vibration:</b> 10Hz-2000Hz acceleration 147m/s <sup>2</sup> Interruption duration ≤ 1μs
<b>Insulation Resistance:</b> ≥ 5000MΩ (at normal condition)	<b>Shock:</b> 980m/s <sup>2</sup> Interruption duration ≤ 1μs

## How to order

<b>Series:</b> JL35	JL35 - × ZJ/TK × - S (Note)
<b>Contact Layout:</b> 2、3、4、5、6、7、8、9、10、12	
<b>Contact Type:</b> ZJ - Receptacle with Pin TK - Plug with Socket	
<b>Termination Type:</b> B - Straight Board Mount W - Right angle Board Mount Y - Pre-wired H - Solder Cup	
<b>Cable Type:</b> S - Double-ended Cable Omit - Single-ended Cable	

### Note: Wire Requirements for Pre-wired Product

If not specified, the default configuration is L=200 mm, AFR250 - 0.12mm<sup>2</sup>-250V, Green

If there are other requirements, specify as follows: Wire length (from the rear exit point, unit: mm, default: 200mm); Braid shield (P - Lightweight braided shield; default: no braid shield); Nylon sleeve (F - for military green nylon sleeve; Default: No nylon sleeve); Wire Grade (commonly AFR250, default AFR250); Wire Gauge (compatible with 0.07mm<sup>2</sup> - 0.2mm<sup>2</sup>, default: 0.12mm<sup>2</sup>); Wire Color (optional multiple colors, default: green), Default items may be omitted; all other requirements can be noted. The above notes do not appear on product markings. They only serve as wire requirements for ordering pre-wired products with leads. For additional wiring definitions or requirements, please contact our engineers.

### Note Examples:

(L600PF AFR250 0.15 Green) - Length: 600mm, green wire, type AFR250, Gauge: 0.15mm<sup>2</sup>, braided shielding over wire; nylon sleeve over shielding

(L300F 0.1) - Length: 300mm, green wire, type AFR250, Gauge: 0.1mm<sup>2</sup>, without braid shield, with nylon sleeve over the wire

**Pre-wired Plug**

JL35	-	12	TK	Y	-	L	(Note)
------	---	----	----	---	---	---	--------

**Series:** JL35

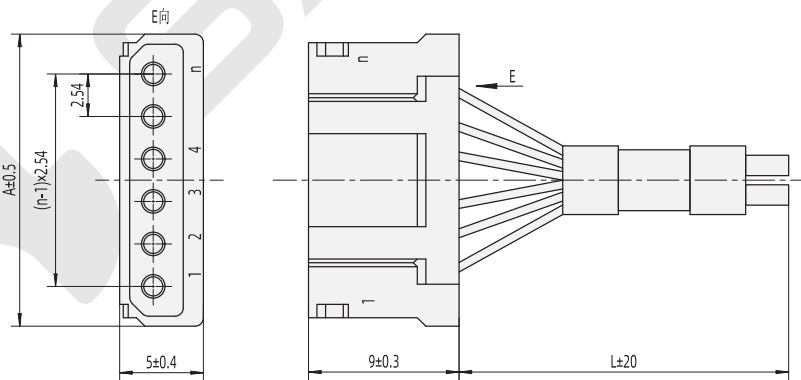
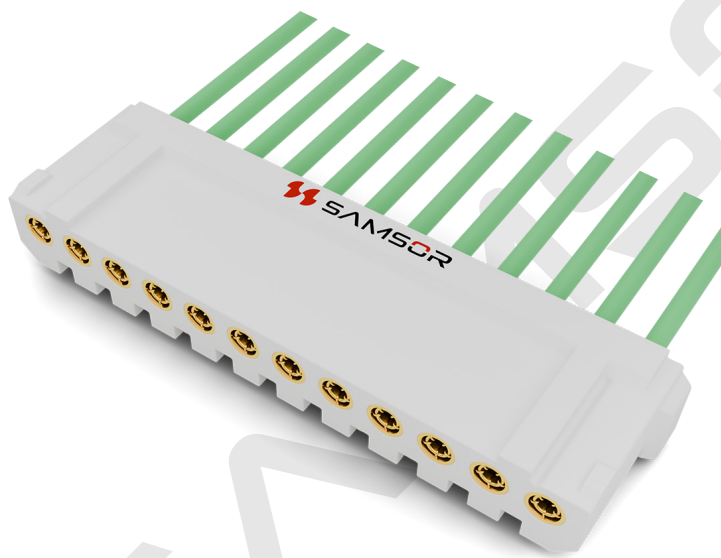
**Contact Layout:** 2, 3, 4, 5, 6, 7, 8, 9, 10, 12

**Contact Type:** TK - Plug with Socket

**Termination Type:** Y - Pre-wired

**Wire Length:** Default wire length is L = 200 mm

**Note:** For wire configuration, please refer to the notes in the "Model Naming" section



Type	A	n(Layout)	Type	A	n(Layout)
JL35-2TKY	7.3	2	JL35-7TKY	20	7
JL35-3TKY	9.84	3	JL35-8TKY	22.54	8
JL35-4TKY	12.38	4	JL35-9TKY	25.08	9
JL35-5TKY	14.92	5	JL35-10TKY	27.62	10
JL35-6TKY	17.46	6	JL35-12TKY	32.7	12

**Pre-wired Plug**

JL35	-	12	TK	Y	-S	-	L	(Note)
------	---	----	----	---	----	---	---	--------

**Series:** JL35

**Contact Layout:** 2、3、4、5、6、7、8、9、10、12

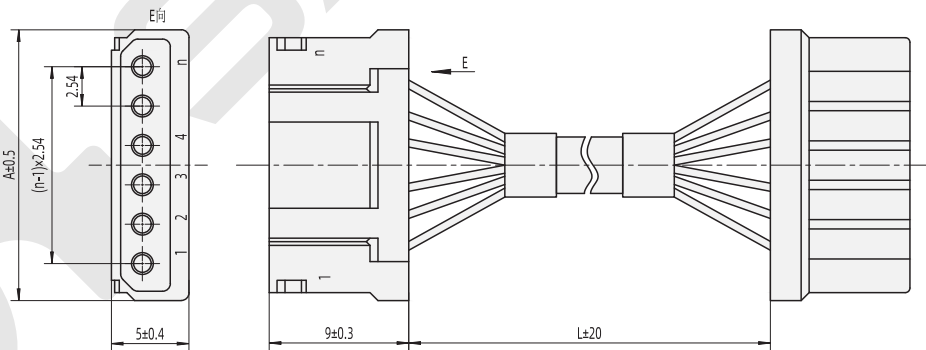
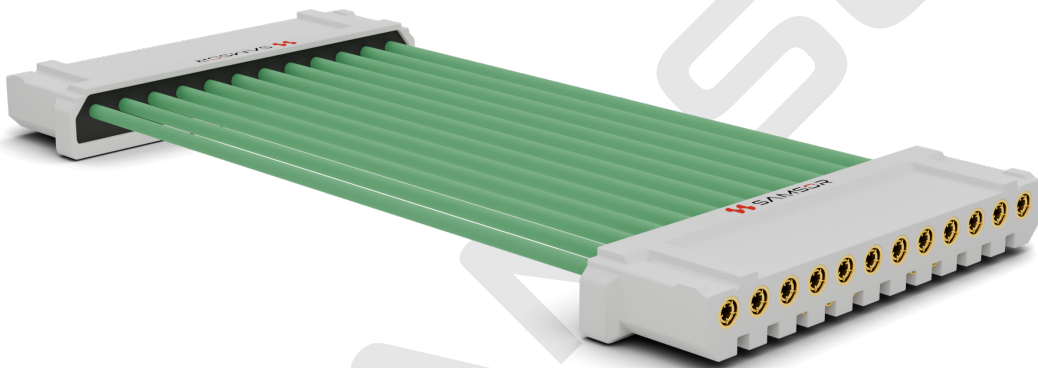
**Contact Type:** TK - Plug with Socket

**Termination Type:** Y - Pre-wired

**Cable Type:** S - Double-ended Cable

**Wire Length:** Default wire length is L = 200 mm

**Note:** For wire configuration, please refer to the notes in the "Model Naming" section



Type	A	n(Layout)	Type	A	n(Layout)
JL35-2TKY-SL	7.3	2	JL35-7TKY-SL	20	7
JL35-3TKY-SL	9.84	3	JL35-8TKY-SL	22.54	8
JL35-4TKY-SL	12.38	4	JL35-9TKY-SL	25.08	9
JL35-5TKY-SL	14.92	5	JL35-10TKY-SL	27.62	10
JL35-6TKY-SL	17.46	6	JL35-12TKY-SL	32.7	12

**Solder Cup Plug**

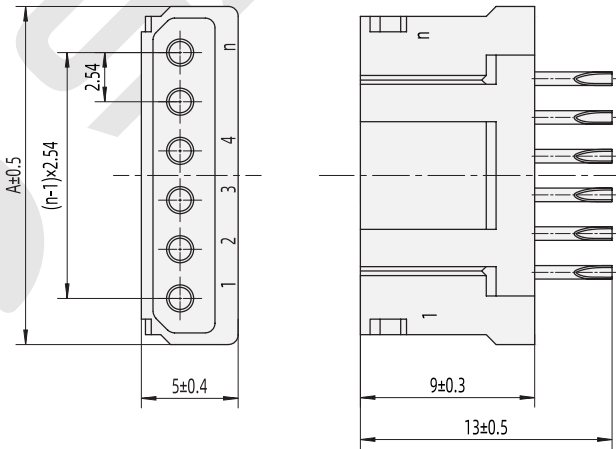
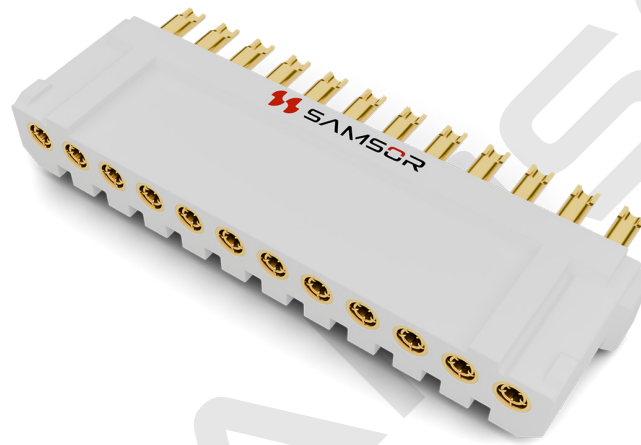
JL35	-	12	TK	H
------	---	----	----	---

Series: JL35

Contact Layout: 2, 3, 4, 5, 6, 7, 8, 9, 10, 12

Contact Type: TK - Plug with Socket

Termination Type: H - Solder Cup



Type	A	n(Layout)	Type	A	n(Layout)
JL35-2TKH	7.3	2	JL35-7TKH	20	7
JL35-3TKH	9.84	3	JL35-8TKH	22.54	8
JL35-4TKH	12.38	4	JL35-9TKH	25.08	9
JL35-5TKH	14.92	5	JL35-10TKH	27.62	10
JL35-6TKH	17.46	6	JL35-12TKH	32.7	12

## PCB Receptacle-Vertical

JL35	-	12	ZJ	B	-	XX
------	---	----	----	---	---	----

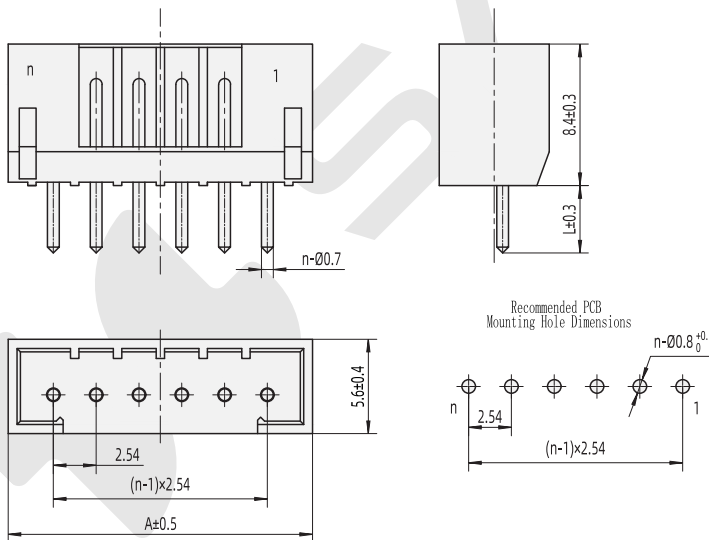
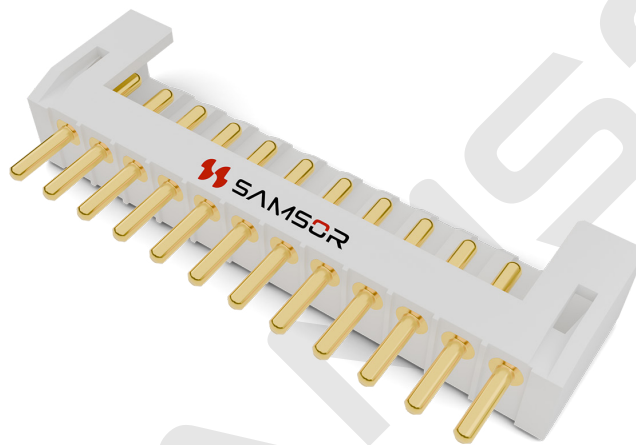
**Series:** JL35

**Contact Layout:** 2, 3, 4, 5, 6, 7, 8, 9, 10, 12

**Contact Type:** ZJ - Receptacle with Pin

**Termination Type:** B - Straight Board Mount

**Pin Length:** No marking: Default length is 4.0mm      -1: Default length is 5.5mm      -2: Default length is 7.0mm



- JL35-ZJB: Standard type, L=4.0mm
- JL35-ZJB-1: Extended pin type, L=5.5mm
- JL35-ZJB-2: Extended pin type, L=7.0mm

Type	A	n(Layout)	Type	A	n(Layout)
JL35-2ZJB	7.9	2	JL35-7ZJB	20.6	7
JL35-3ZJB	10.44	3	JL35-8ZJB	23.14	8
JL35-4ZJB	12.98	4	JL35-9ZJB	25.68	9
JL35-5ZJB	15.52	5	JL35-10ZJB	28.22	10
JL35-6ZJB	18.06	6	JL35-12ZJB	33.3	12

**PCB Receptacle-Right Angle**

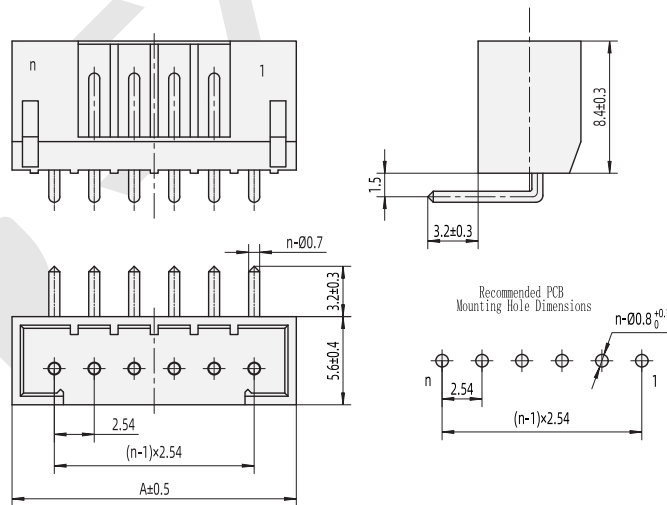
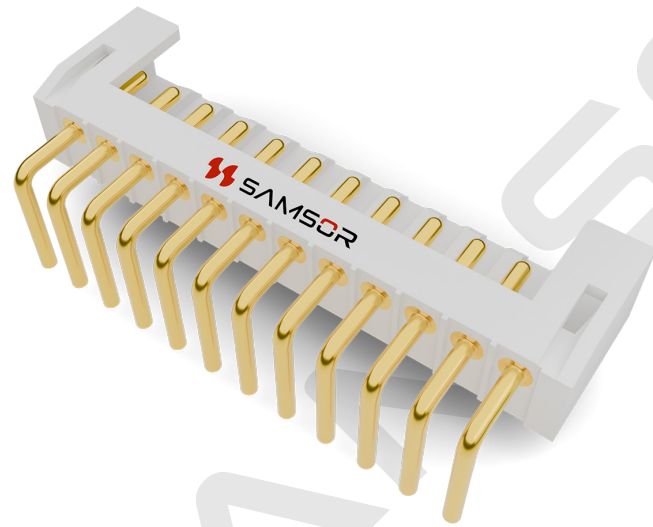
JL35	-	12	ZJ	W
------	---	----	----	---

Series: JL35

Contact Layout: 2, 3, 4, 5, 6, 7, 8, 9, 10, 12

Contact Type: ZJ - Receptacle with Pin

Termination Type: W - Right angle Board Mount



Type	A	n(Layout)	Type	A	n(Layout)
JL35-2ZJW	7.9	2	JL35-7ZJW	20.6	7
JL35-3ZJW	10.44	3	JL35-8ZJW	23.14	8
JL35-4ZJW	12.98	4	JL35-9ZJW	25.68	9
JL35-5ZJW	15.52	5	JL35-10ZJW	28.22	10
JL35-6ZJW	18.06	6	JL35-12ZJW	33.3	12

**Note**

- The through-hole diameter for the solder pin mounting shall be greater than 0.8 mm (or 31 mil as specified), otherwise the solder pin may not pass through the PCB
- The solder pin length (L) shall be selected according to the PCB thickness (H). To ensure soldering quality, it is recommended that  $L - H \geq 1$  mm
- During soldering, the insulator must be flush with the PCB surface. Tilting or suspending the insulator is strictly prohibited
- For manual soldering, a solder temperature of  $(260 \pm 10)^{\circ}$  C is recommended, with soldering time not exceeding 5 seconds. When using a constant-temperature soldering iron at  $(350 \pm 10)^{\circ}$  C, the soldering time should be (2~3) seconds