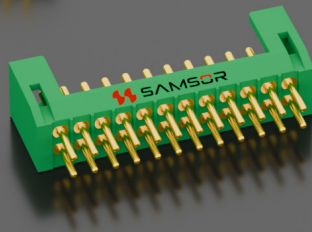
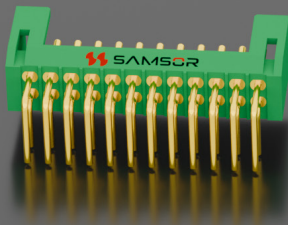
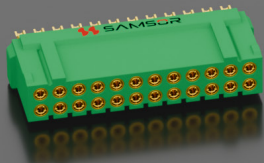
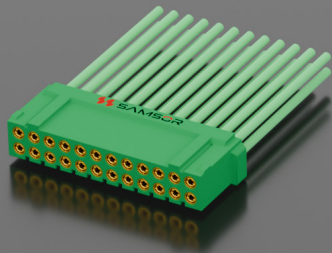
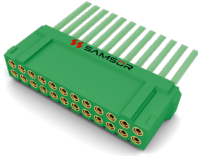
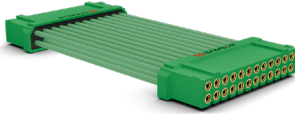

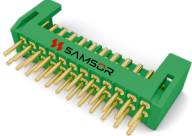
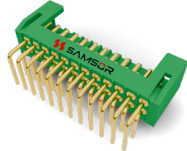


JL24 Series PCB Connector



Product Selection Guide

JL24 Standard Series		
		
2 Pre-wired Plug	3 Pre-wired Plug(Double-Ended Cable)	4 Solder Cup Plug
		
5 Vertical PCB Receptacle	6 Right Angle PCB Receptacle	

Features

Corresponding to the National Military Standard GJB 1438A-2006
Number of Contacts: Available in 13 configurations with 6, 8, 10, 12, 14, 16, 18, 20, 22, 24, 26, 28 and 30 pins
Hyperboloid spring socket contact structure, with 2mm standard grid spacing, arranged in a double row
Conductor cross-sectional area suitable for 0.07mm ² to 0.2mm ² . For thinner wires, modification is required; please specify when ordering. Default supply: 0.12mm ² green high-temperature silver-plated wrapped wire

Performance Specifications

Operating Temperature: -65°C~ +125°C	Dielectric Withstand Voltage: 1000V (AC)
Rated Voltage: 300V AC	Durability: 500 times
Rated Current: 1A	Vibration: 10Hz-2000Hz acceleration 147m/s ² Interruption duration ≤ 1μs
Insulation Resistance: ≥ 5000MΩ (at normal condition)	Shock: 980m/s ² Interruption duration ≤ 1μs

How to order

JL24 - × ZJ/TK × - S (Note)

Series: JL24

Contact Layout: 6、8、10、12、14、16、18、20、22、24、26、28、30

Contact Type: ZJ - Receptacle with Pin TK - Plug with Socket

Termination Type:

B - Straight Board Mount W - Right angle Board Mount
Y - Pre-wired H - Solder Cup

Cable Type: S - Double-ended Cable Omit - Single-ended Cable

Note: Wire Requirements for Pre-wired Product

If not specified, the default configuration is L=200 mm, AFR250 - 0.12mm²-250V, Green

If there are other requirements, specify as follows: Wire length (from the rear exit point, unit: mm, default: 200mm); Braid shield (P - Lightweight braided shield; default: no braid shield); Nylon sleeve (F - for military green nylon sleeve; Default: No nylon sleeve); Wire Grade (commonly AFR250, default AFR250); Wire Gauge (compatible with 0.07mm² - 0.2mm², default: 0.12mm²); Wire Color (optional multiple colors, default: green), Default items may be omitted; all other requirements can be noted. The above notes do not appear on product markings. They only serve as wire requirements for ordering pre-wired products with leads. For additional wiring definitions or requirements, please contact our engineers.

Note Examples:

(L600PF AFR250 0.15 Green) - Length: 600mm, green wire, type AFR250, Gauge: 0.15mm², braided shielding over wire; nylon sleeve over shielding

(L300F 0.1) - Length: 300mm, green wire, type AFR250, Gauge: 0.1mm², without braid shield, with nylon sleeve over the wire

Pre-wired Plug

JL24	-	24	TK	Y	-	L	(Note)
------	---	----	----	---	---	---	--------

Series: JL24

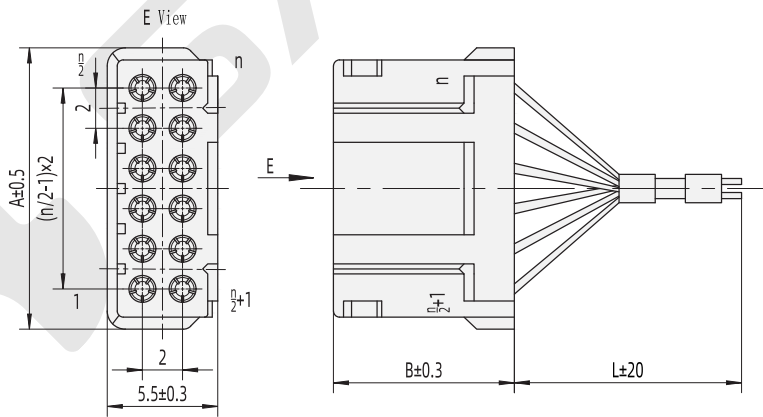
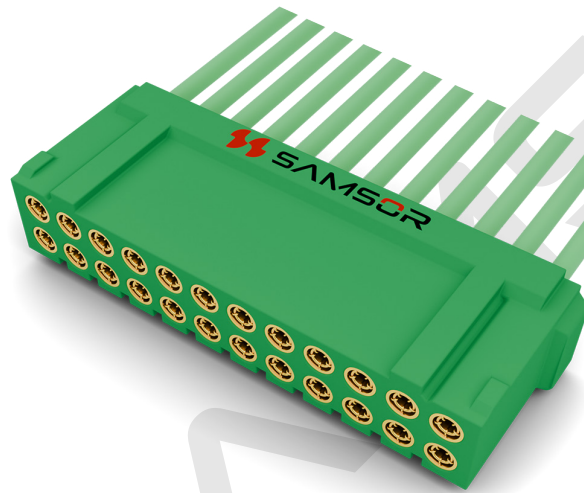
Contact Layout: 6, 8, 10, 12, 14, 16, 18, 20, 22, 24, 26, 28, 30

Contact Type: TK - Plug with Socket

Termination Type: Y - Pre-wired

Wire Length: Default wire length is L = 200 mm

Note: For wire configuration, please refer to the notes in the "Model Naming" section



Type	A	B	n(Layout)	Type	A	B	n(Layout)
JL24-6TKY-L	8	9	6	JL24-20TKY-L	22	9	20
JL24-8TKY-L	10	9	8	JL24-22TKY-L	24	9	22
JL24-10TKY-L	12	9	10	JL24-24TKY-L	26	9	24
JL24-12TKY-L	14	9	12	JL24-26TKY-L	28	10	26
JL24-14TKY-L	16	9	14	JL24-28TKY-L	30	9	28
JL24-16TKY-L	18	9	16	JL24-30TKY-L	32	10	30
JL24-18TKY-L	20	9	18				

JL24 Series

Pre-wired Plug

JL24 - 24 TK Y -S - L (Note)

Series: JL24

Contact Layout: 6, 8, 10, 12, 14, 16, 18, 20, 22, 24, 26, 28, 30

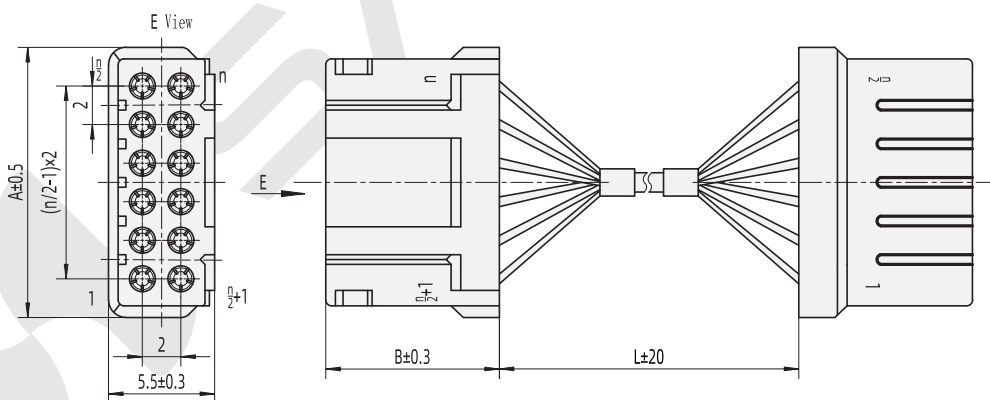
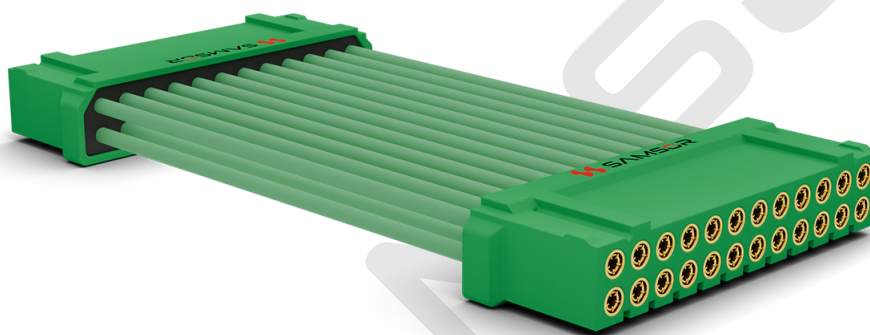
Contact Type: TK - Plug with Socket

Termination Type: Y - Pre-wired

Cable Type: S - Double-ended Cable

Wire Length: Default wire length is L = 200 mm

Note: For wire configuration, please refer to the notes in the "Model Naming" section



Type	A	B	n(Layout)	Type	A	B	n(Layout)
JL24-6TKY-SL	8	9	6	JL24-20TKY-SL	22	9	20
JL24-8TKY-SL	10	9	8	JL24-22TKY-SL	24	9	22
JL24-10TKY-SL	12	9	10	JL24-24TKY-SL	26	9	24
JL24-12TKY-SL	14	9	12	JL24-26TKY-SL	28	10	26
JL24-14TKY-SL	16	9	14	JL24-28TKY-SL	30	9	28
JL24-16TKY-SL	18	9	16	JL24-30TKY-SL	32	10	30
JL24-18TKY-SL	20	9	18				

Solder Cup Plug

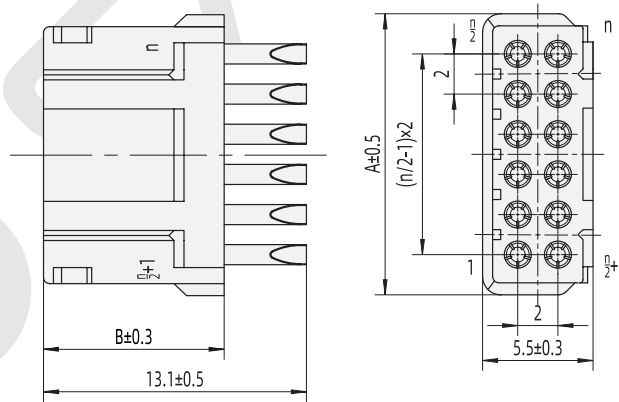
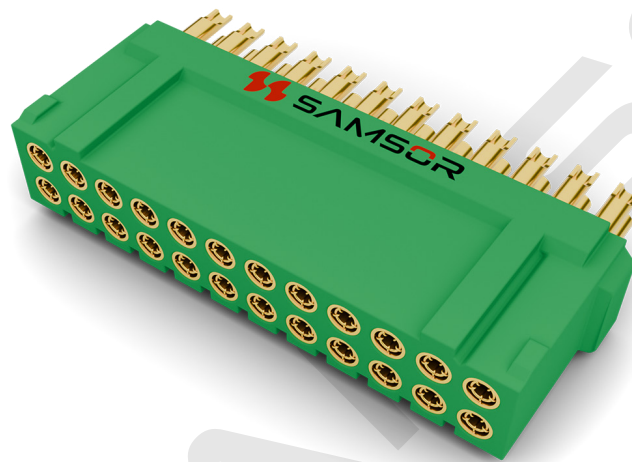
JL24	-	24	TK	H
------	---	----	----	---

Series: JL24

Contact Layout: 6, 8, 10, 12, 14, 16, 18, 20, 22, 24, 26, 28, 30

Contact Type: TK - Plug with Socket

Termination Type: H - Solder Cup



Type	A	B	n(Layout)	Type	A	B	n(Layout)
JL24-6TKH	8	9	6	JL24-20TKH	22	9	20
JL24-8TKH	10	9	8	JL24-22TKH	24	9	22
JL24-10TKH	12	9	10	JL24-24TKH	26	9	24
JL24-12TKH	14	9	12	JL24-26TKH	28	10	26
JL24-14TKH	16	9	14	JL24-28TKH	30	9	28
JL24-16TKH	18	9	16	JL24-30TKH	32	10	30
JL24-18TKH	20	9	18				

PCB Receptacle-Vertical

JL24 - 24 ZJ B - XX

Series: JL24

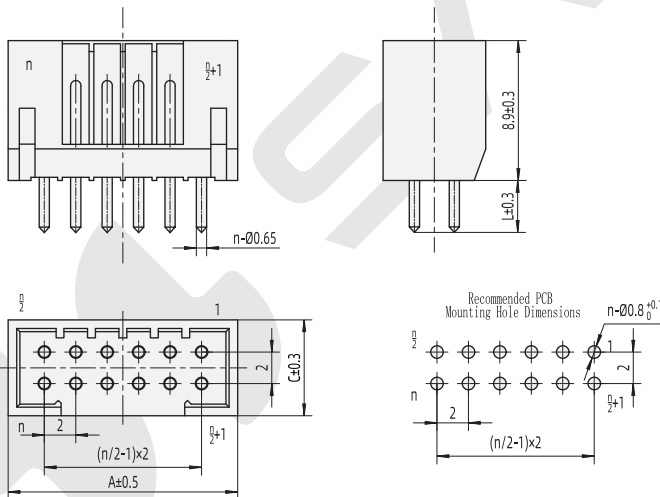
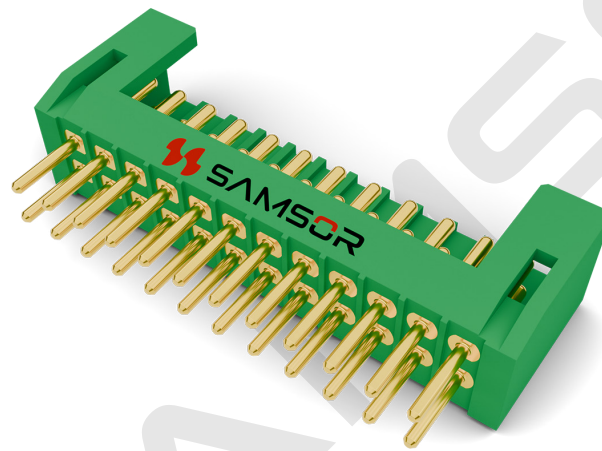
Contact Layout: 6, 8, 10, 12, 14, 16, 18, 20, 22, 24, 26, 28, 30

Contact Type: ZJ - Receptacle with Pin

Termination Type: B - Straight Board Mount

Pin Length:

No marking: Default length is 3.3mm -1: Default length is 4.5mm -2: Default length is 5.5mm -3: Default length is 6.5mm



- JL24-ZJB: Standard type, L=3.3mm
- JL24-ZJB-1: Extended pin type, L=4.5mm
- JL24-ZJB-2: Extended pin type, L=5.5mm
- JL24-ZJB-3: Extended pin type, L=6.5mm

Type	A	C	n(Layout)	Type	A	C	n(Layout)
JL24-6ZJB	8.6	6.1	6	JL24-20ZJB	22.3	5.85	20
JL24-8ZJB	10.3	5.85	8	JL24-22ZJB	24.6	6.1	22
JL24-10ZJB	12.6	6.1	10	JL24-24ZJB	26.6	6.1	24
JL24-12ZJB	14.6	6.1	12	JL24-26ZJB	28.3	5.85	26
JL24-14ZJB	16.6	6.1	14	JL24-28ZJB	30.6	6.1	28
JL24-16ZJB	18.6	6.1	16	JL24-30ZJB	32.6	6.1	30
JL24-18ZJB	20.6	6.1	18				

PCB Receptacle-Right Angle

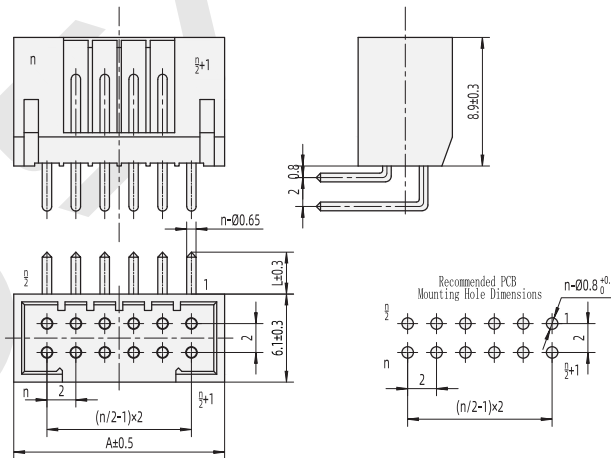
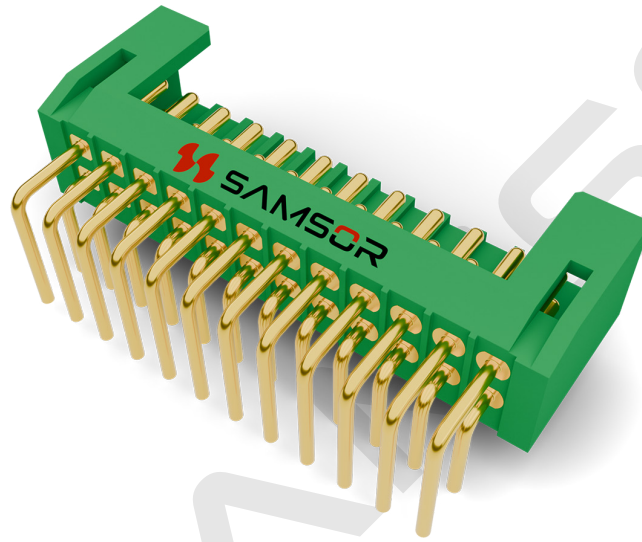
JL24	-	24	ZJ	W
------	---	----	----	---

Series: JL24

Contact Layout: 6, 8, 10, 12, 14, 16, 18, 20, 22, 24, 26, 28, 30

Contact Type: ZJ - Receptacle with Pin

Termination Type: W - Right angle Board Mount



Type	A	n(Layout)	Type	A	n(Layout)
JL24-6ZJW	8.6	6	JL24-20ZJW	22.3	20
JL24-8ZJW	10.3	8	JL24-22ZJW	24.6	22
JL24-10ZJW	12.6	10	JL24-24ZJW	26.6	24
JL24-12ZJW	14.6	12	JL24-26ZJW	28.3	26
JL24-14ZJW	16.6	14	JL24-28ZJW	30.6	28
JL24-16ZJW	18.6	16	JL24-30ZJW	32.6	30
JL24-18ZJW	20.6	18			

Note

- The through-hole diameter for the solder pin mounting shall be greater than 0.8 mm (or 31 mil as specified), otherwise the solder pin may not pass through the PCB
- The solder pin length (L) shall be selected according to the PCB thickness (H). To ensure soldering quality, it is recommended that $L - H \geq 1$ mm
- During soldering, the insulator must be flush with the PCB surface. Tilting or suspending the insulator is strictly prohibited
- For manual soldering, a solder temperature of $(260 \pm 10)^{\circ}$ C is recommended, with soldering time not exceeding 5 seconds. When using a constant-temperature soldering iron at $(350 \pm 10)^{\circ}$ C, the soldering time should be (2~3) seconds