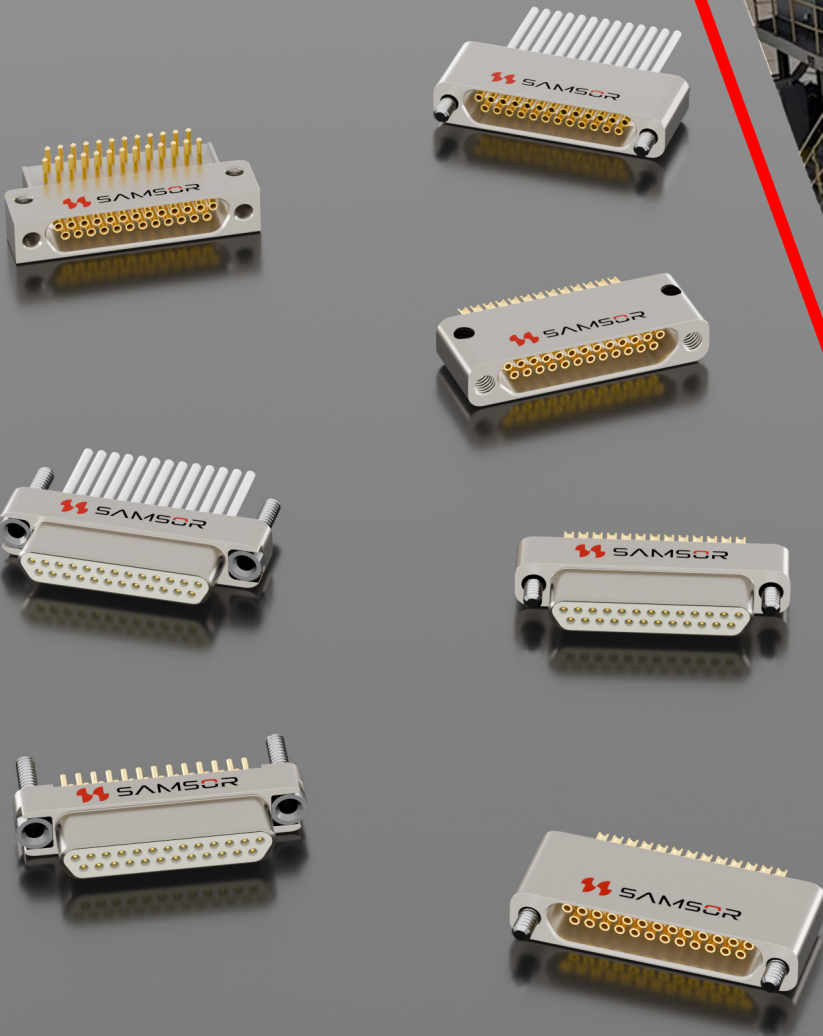


J30JZ Series

Micro-D Connector



Product Selection Guide

J30JZ Series			
			
3 Pre-wired Plug	4 Pre-wired Receptacle	5 Pre-wired Plug	6 Pre-wired Receptacle
			
7 Horizontal Mount Pre-wired Receptacle	8 Solder Cup Plug	9 Solder Cup Receptacle	10 Vertical Mount Solder Cup Plug
			
11 Horizontal Mount Solder Cup Receptacle	12 Vertical PCB Plug	15 Vertical PCB Receptacle	18 Right Angle PCB Plug
			
21 Right Angle PCB Receptacle			
J30JZ Accessory Styles			
			
24 L01	24 L02	25 L01A	25 P01

Features

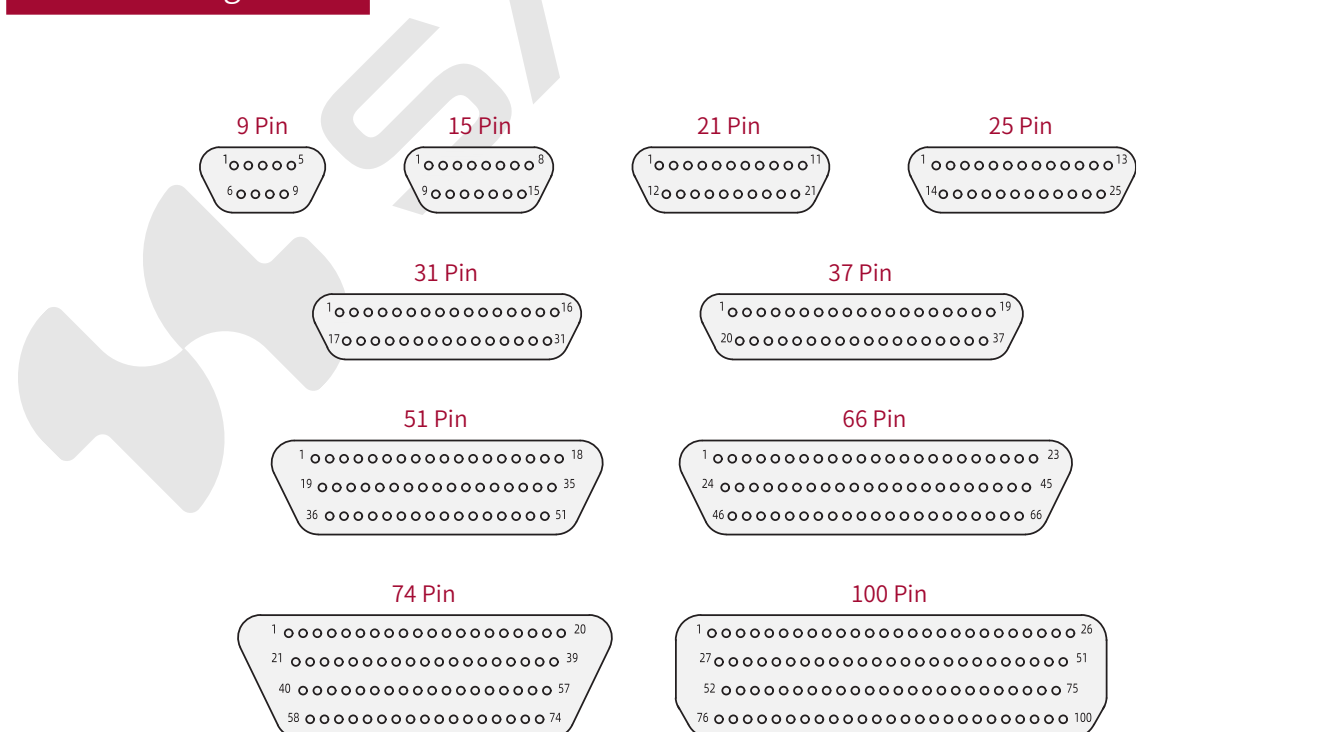
Number of Contacts: 9, 15, 21, 25, 31, 37, 51, 66, 74, 100 pins
This series features a smaller outline dimension compared with the standard J30J series of the same specification, with a volume approximately 40% of that of conventional J30J products.
Conductor cross-sectional area: 0.1 mm ² to 0.15 mm ² . Additionally, conductors with a cross-sectional area of 0.07 mm ² can also be used, but the product model must be specially noted
The product complies with GJB2446A-2011 requirements
Implemented Enterprise Standard: Q/SS 107-2017

Performance Specifications

Operating Temperature	-55°C ~ +125°C
Vibration	10Hz ~ 2000Hz 196m/s ²
Random Vibration	Power density 0.4G ² /Hz.The total acceleration-root-mean square is 23.1G
Shock	735m/s ² 11ms
Rated Current	3A
Contact Resistance	≤ 10mΩ
Insulation Resistance	≥ 5000MΩ
Dielectric Withstand Voltage	600V
Durability	1000 times

Contact Arrangement

Face View Pin Connector



How to order

J30JZ	×	N	25	TJ/ZK	×	×	(Note)
-------	---	---	----	-------	---	---	--------

Series: Receptacle - J30JZ Plug - J30JZ/X

Shell Style:

Omit - Free End P - Vertical Mounting L - Horizontal Mounting
 PE - Vertical Mount Shell Modification, Free End Unsecured

Shell Material & Finish:

N - Aluminum Alloy with Nickel Plated G - Aluminum Alloy with Cadmium Plated
 S - Stainless Steel with Passivation

Contact Layout: 9、15、21、25、31、37、51、66、74、100

Contact Type: TJ - Plug with Pin ZK - Receptacle with Socket

Termination Type: CA - Pre-wired SA - Solder Cup

NA - Vertical PCB

N1A - Vertical PCB (Pin length extended by 1mm based on NA; other specifications unchanged)

N2A - Vertical PCB (Pin length extended by 2mm based on NA; other specifications unchanged)

N3A - Vertical PCB (Pin length extended by 3mm based on NA; other specifications unchanged)

WA - Right-Angle PCB

W1A-Right-Angle PCB(Pin length extended by 1mm based on WA; other specifications unchanged)

W2A-Right-Angle PCB(Pin length extended by 2mm based on WA; other specifications unchanged)

W3A-Right-Angle PCB(Pin length extended by 3mm based on WA; other specifications unchanged)

Hardware Type:

000 - No Hardware

L01 - With Jackscrew, Slot Head Jackscrew

L20 - With Jackscrew, Hex Head Jackscrew

L22 - With Jackscrew, Phillips Jackscrew

L01A - With Jackscrew, Captive Screwlocks

L02 - With Jackscrew, Specific for J30JZPEN, Slot Head Jackscrew

L21 - With Jackscrew, Specific for J30JZPEN, Hex Head Jackscrew

L23 - With Jackscrew, Specific for J30JZPEN, Phillips Jackscrew

P01 - With Mount Jackscrew Hardware, suitable for Panel Thickness 2.5mm (max)

P02 - With Mount Jackscrew Hardware, suitable for Panel Thickness 5mm (max)

Note: Wire Requirements for Pre-wired Product

If not specified, the default configuration is L=250 mm, AFR250 - 0.12mm²-250V, White

If there are other requirements, specify as follows: Wire length (from the rear exit point, unit: mm, default: 250mm); Braid shield (P - Lightweight braided shield; default: no braid shield); Nylon sleeve(F - for military green nylon sleeve; Default: No nylon sleeve); Wire Grade (commonly AFR250, default AFR250); Wire Gauge(compatible with 0.1mm² - 0.15mm², default: 0.12mm²); Wire Color (optional multiple colors, default: white), Default items may be omitted; all other requirements can be noted. The above notes do not appear on product markings. They only serve as wire requirements for ordering pre-wired products with leads.For additional wiring definitions or requirements, please contact our engineers.

Note Examples:

(L600PF AFR250 0.15 White) - Length: 600mm, white wire, type AFR250, Gauge: 0.15mm², braided shielding over wire; nylon sleeve over shielding

(L300F 0.1) - Length: 300mm, white wire, type AFR250, Gauge: 0.1mm², without braid shield, with nylon sleeve over the wire

Pre-wired Plug - Free End

J30JZ/X	N	25	TJ	CA	L01	(Note)
---------	---	----	----	----	-----	--------



Series: Plug - J30JZ/X

Shell Material & Finish:

N - Aluminum Alloy with Nickel Plated

G - Aluminum Alloy with Cadmium Plated

S - Stainless Steel with Passivation

Contact Layout: 9、15、21、25、31、37、51、66、74、100

Contact Type: TJ - Plug with Pin

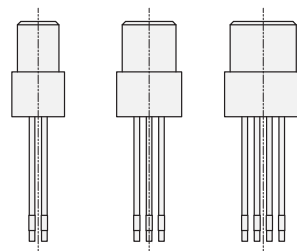
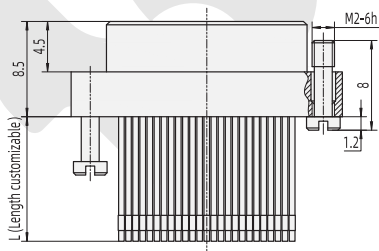
Termination Type: CA - Pre-wired

Hardware Type: L01、L20、L22 - Jackscrew

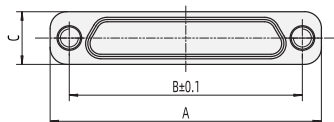
L01A - Captive Screwlocks

For details, refer to "Hardware" section

Note: For wire configuration, please refer to the notes in the "Model Naming" section



9~37 Pin 51~66 Pin 74~100 Pin



Type	A	B	C
J30JZ/XN9TJCAL01	14	10.6	4.7
J30JZ/XN15TJCAL01	17.8	14.4	
J30JZ/XN21TJCAL01	21.6	18.2	
J30JZ/XN25TJCAL01	24.2	20.8	
J30JZ/XN31TJCAL01	28	24.6	
J30JZ/XN37TJCAL01	31.8	28.4	5.8
J30JZ/XN51TJCAL01	30.5	27.1	
J30JZ/XN66TJCAL01	36.9	33.5	
J30JZ/XN74TJCAL01	33.1	29.7	6.9
J30JZ/XN100TJCAL01	40.7	37.3	

Pre-wired Receptacle - Vertical Mounting

J30JZ	N	25	ZK	CA	000	(Note)
-------	---	----	----	----	-----	--------



Series: Receptacle - J30JZ

Shell Material & Finish:

N - Aluminum Alloy with Nickel Plated

G - Aluminum Alloy with Cadmium Plated

S - Stainless Steel with Passivation

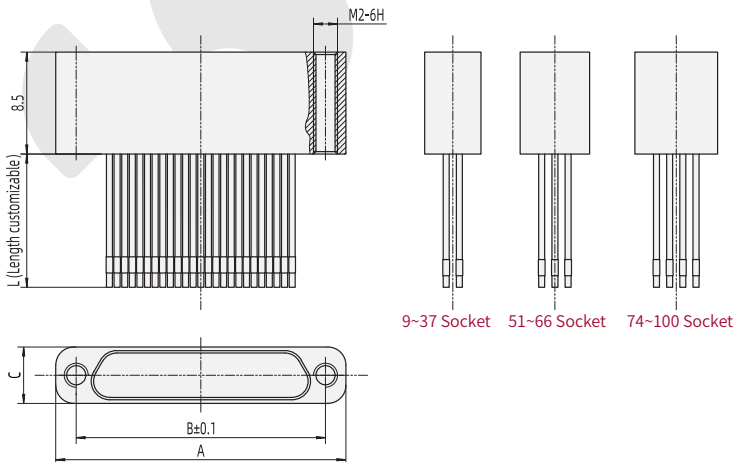
Contact Layout: 9、15、21、25、31、37、51、66、74、100

Contact Type: ZK - Receptacle with Socket

Termination Type: CA - Pre-wired

Hardware Type: 000 - Integrated thread, no hardware required

Note: For wire configuration, please refer to the notes in the "Model Naming" section



Type	A	B	C
J30JZN9ZKCA000	14	10.6	4.7
J30JZN15ZKCA000	17.8	14.4	
J30JZN21ZKCA000	21.6	18.2	
J30JZN25ZKCA000	24.2	20.8	
J30JZN31ZKCA000	28	24.6	
J30JZN37ZKCA000	31.8	28.4	
J30JZN51ZKCA000	30.5	27.1	5.8
J30JZN66ZKCA000	36.9	33.5	
J30JZN74ZKCA000	33.1	29.7	6.9
J30JZN100ZKCA000	40.7	37.3	

J30JZ Series

Pre-wired Plug - Vertical Mounting

J30JZ/X	P	N	25	TJ	CA	P01	(Note)
---------	---	---	----	----	----	-----	--------



Series: Plug - J30JZ/X

Shell Style: P - Vertical Mounting

Shell Material & Finish:

N - Aluminum Alloy with Nickel Plated

G - Aluminum Alloy with Cadmium Plated

S - Stainless Steel with Passivation

Contact Layout: 9、15、21、25、31、37、51、66、74、100

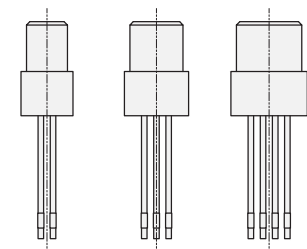
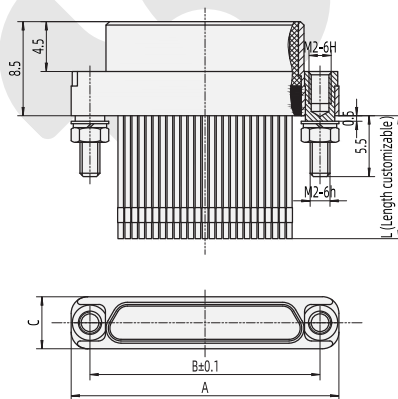
Contact Type: TJ - Plug with Pin

Termination Type: CA - Pre-wired

Hardware Type: P01、P02 - With Mount Jackscrew Hardware

For details, refer to "Hardware" section

Note: For wire configuration, please refer to the notes in the "Model Naming" section



9~37 Pin 51~66 Pin 74~100 Pin

Type	A	B	C
J30JZ/XPN9TJCAP01	14	10.6	4.7
J30JZ/XPN15TJCAP01	17.8	14.4	
J30JZ/XPN21TJCAP01	21.6	18.2	
J30JZ/XPN25TJCAP01	24.2	20.8	
J30JZ/XPN31TJCAP01	28	24.6	
J30JZ/XPN37TJCAP01	31.8	28.4	5.8
J30JZ/XPN51TJCAP01	30.5	27.1	
J30JZ/XPN66TJCAP01	36.9	33.5	
J30JZ/XPN74TJCAP01	33.1	29.7	6.9
J30JZ/XPN100TJCAP01	40.7	37.3	

Pre-wired Receptacle - Free End-With Jackscrew

J30JZ	PE	N	25	ZK	CA	L02	(Note)
-------	----	---	----	----	----	-----	--------



Series: Receptacle - J30JZ

Shell Style: PE - Vertical Mount Shell Modification, Free End Unsecured

Shell Material & Finish:

N - Aluminum Alloy with Nickel Plated

G - Aluminum Alloy with Cadmium Plated

S - Stainless Steel with Passivation

Contact Layout: 9、15、21、25、31、37、51、66、74、100

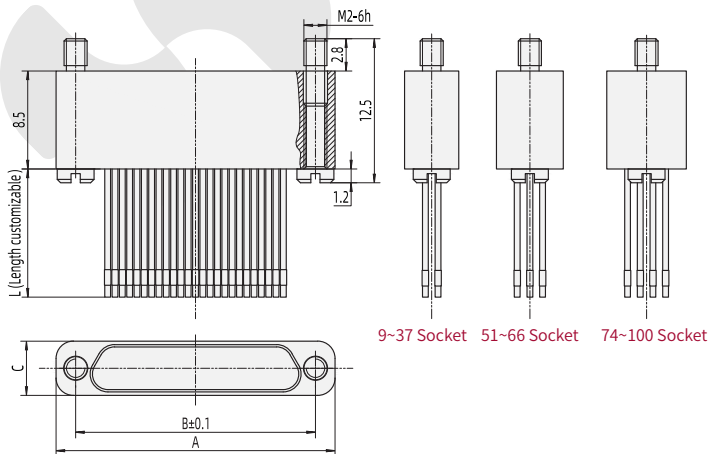
Contact Type: ZK - Receptacle with Socket

Termination Type: CA - Pre-wired

Hardware Type: L02、L21、L23 - Jackscrew

For details, refer to "Hardware" section

Note: For wire configuration, please refer to the notes in the "Model Naming" section



Type	A	B	C
J30JZPEN9ZKCAL02	14	10.6	4.7
J30JZPEN15ZKCAL02	17.8	14.4	
J30JZPEN21ZKCAL02	21.6	18.2	
J30JZPEN25ZKCAL02	24.2	20.8	
J30JZPEN31ZKCAL02	28	24.6	
J30JZPEN37ZKCAL02	31.8	28.4	5.8
J30JZPEN51ZKCAL02	30.5	27.1	
J30JZPEN66ZKCAL02	36.9	33.5	
J30JZPEN74ZKCAL02	33.1	29.7	6.9
J30JZPEN100ZKCAL02	40.7	37.3	

J30JZ Series

Pre-wired Receptacle - Horizontal Mounting



J30JZ	L	N	25	ZK	CA	000	(Note)

Series: Receptacle - J30JZ

Shell Style: L - Horizontal Mounting

Shell Material & Finish:

N - Aluminum Alloy with Nickel Plated

G - Aluminum Alloy with Cadmium Plated

S - Stainless Steel with Passivation

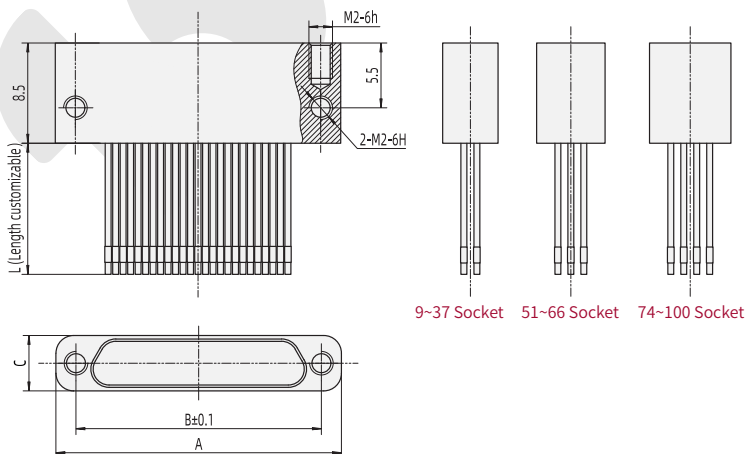
Contact Layout: 9、15、21、25、31、37、51、66、74、100

Contact Type: ZK - Receptacle with Socket

Termination Type: CA - Pre-wired

Hardware Type: 000 - Integrated thread, no hardware required

Note: For wire configuration, please refer to the notes in the "Model Naming" section



Type	A	B	C
J30JZLN9ZKCA000	14	10.6	4.7
J30JZLN15ZKCA000	17.8	14.4	
J30JZLN21ZKCA000	21.6	18.2	
J30JZLN25ZKCA000	24.2	20.8	
J30JZLN31ZKCA000	28	24.6	
J30JZLN37ZKCA000	31.8	28.4	5.8
J30JZLN51ZKCA000	30.5	27.1	
J30JZLN66ZKCA000	36.9	33.5	
J30JZLN74ZKCA000	33.1	29.7	6.9
J30JZLN100ZKCA000	40.7	37.3	

Solder Cup Plug - Free End

J30JZ/X	N	25	TJ	SA	L01
---------	---	----	----	----	-----



Series: Plug - J30JZ/X

Shell Material & Finish:

N - Aluminum Alloy with Nickel Plated
S - Stainless Steel with Passivation

G - Aluminum Alloy with Cadmium Plated

Contact Layout: 9、15、21、25、31、37、51、66、74、100

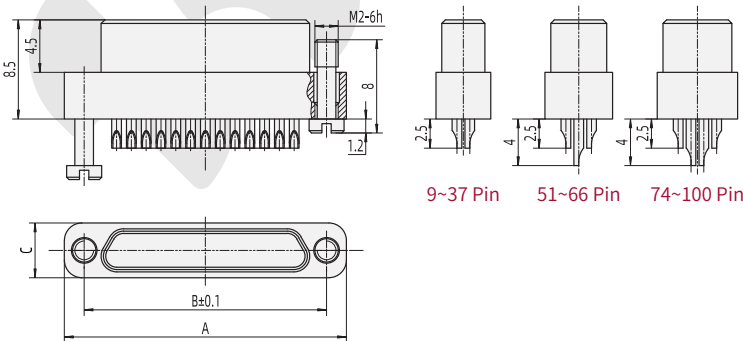
Contact Type: TJ - Plug with Pin

Termination Type: SA - Solder Cup

Hardware Type: L01、L20、L22 - Jackscrew

L01A - Captive Screwlocks

For details, refer to "Hardware" section



Type	A	B	C
J30JZ/XN9TJSAL01	14	10.6	4.7
J30JZ/XN15TJSAL01	17.8	14.4	
J30JZ/XN21TJSAL01	21.6	18.2	
J30JZ/XN25TJSAL01	24.2	20.8	
J30JZ/XN31TJSAL01	28	24.6	
J30JZ/XN37TJSAL01	31.8	28.4	
J30JZ/XN51TJSAL01	30.5	27.1	5.8
J30JZ/XN66TJSAL01	36.9	33.5	
J30JZ/XN74TJSAL01	33.1	29.7	6.9
J30JZ/XN100TJSAL01	40.7	37.3	

J30JZ Series

Solder Cup Receptacle - Free End

J30JZ	N	25	ZK	SA	000
-------	---	----	----	----	-----



Series: Receptacle - J30JZ

Shell Material & Finish:

N - Aluminum Alloy with Nickel Plated

G - Aluminum Alloy with Cadmium Plated

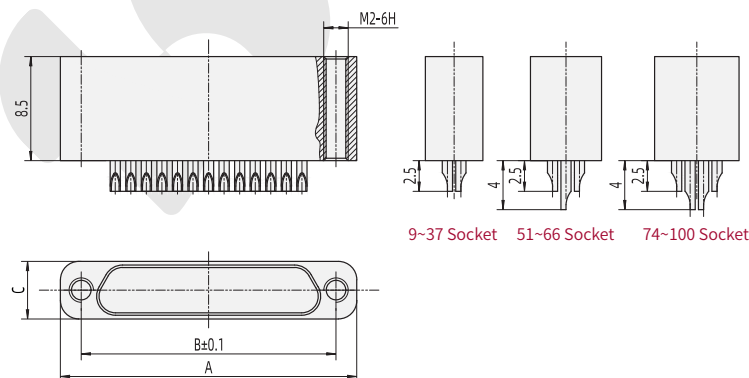
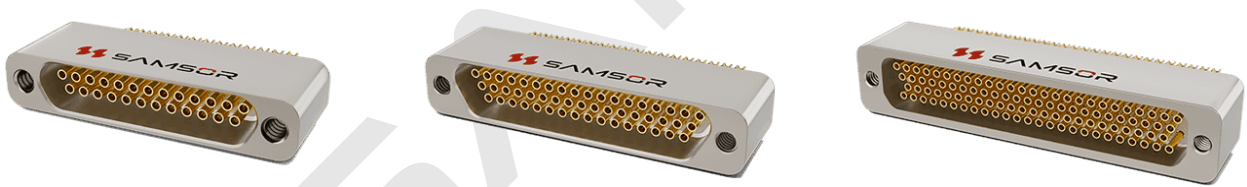
S - Stainless Steel with Passivation

Contact Layout: 9、15、21、25、31、37、51、66、74、100

Contact Type: ZK - Receptacle with Socket

Termination Type: SA - Solder Cup

Hardware Type: 000 - Integrated thread, no hardware required



Type	A	B	C
J30JZN9ZKSA000	14	10.6	4.7
J30JZN15ZKSA000	17.8	14.4	
J30JZN21ZKSA000	21.6	18.2	
J30JZN25ZKSA000	24.2	20.8	
J30JZN31ZKSA000	28	24.6	5.8
J30JZN37ZKSA000	31.8	28.4	
J30JZN51ZKSA000	30.5	27.1	
J30JZN66ZKSA000	36.9	33.5	6.9
J30JZN74ZKSA000	33.1	29.7	
J30JZN100ZKSA000	40.7	37.3	

Solder Cup Plug - Vertical Mounting

J30JZ/X	P	N	25	TJ	SA	P01
---------	---	---	----	----	----	-----



Series: Plug - J30JZ/X

Shell Style: P - Vertical Mounting

Shell Material & Finish:

N - Aluminum Alloy with Nickel Plated

G - Aluminum Alloy with Cadmium Plated

S - Stainless Steel with Passivation

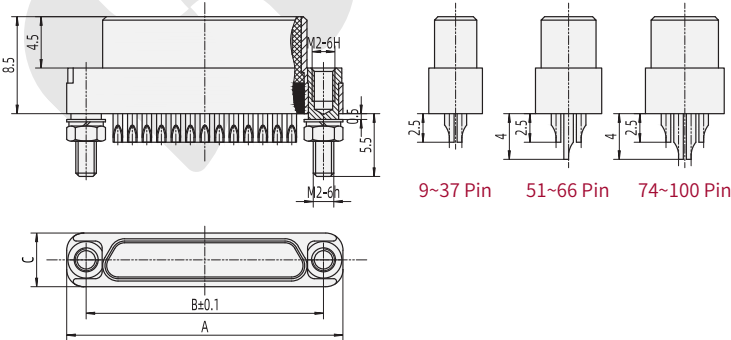
Contact Layout: 9、15、21、25、31、37、51、66、74、100

Contact Type: TJ - Plug with Pin

Termination Type: SA - Solder Cup

Hardware Type: P01、P02 - With Mount Jackscrew Hardware

For details, refer to "Hardware" section



Type	A	B	C
J30JZ/XPN9TJSAP01	14	10.6	4.7
J30JZ/XPN15TJSAP01	17.8	14.4	
J30JZ/XPN21TJSAP01	21.6	18.2	
J30JZ/XPN25TJSAP01	24.2	20.8	
J30JZ/XPN31TJSAP01	28	24.6	
J30JZ/XPN37TJSAP01	31.8	28.4	5.8
J30JZ/XPN51TJSAP01	30.5	27.1	
J30JZ/XPN66TJSAP01	36.9	33.5	
J30JZ/XPN74TJSAP01	33.1	29.7	6.9
J30JZ/XPN100TJSAP01	40.7	37.3	

J30JZ Series

Jan 2025, V1.0

Please visit the official website to download 3D models: www.samsor.com

Solder Cup Receptacle-Horizontal Mounting

J30JZ	L	N	25	ZK	SA	000
-------	---	---	----	----	----	-----



Series: Receptacle - J30JZ

Shell Style: L - Horizontal Mounting

Shell Material & Finish:

N - Aluminum Alloy with Nickel Plated

G - Aluminum Alloy with Cadmium Plated

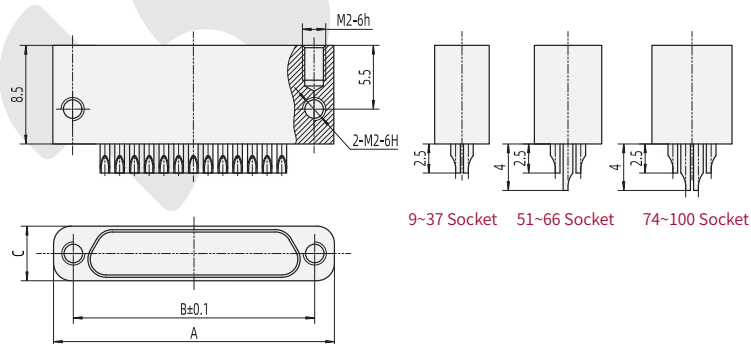
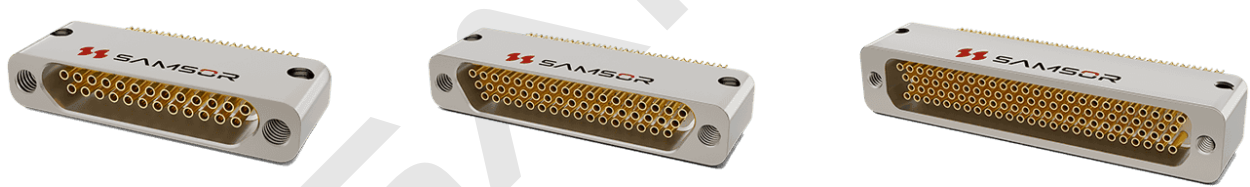
S - Stainless Steel with Passivation

Contact Layout: 9、15、21、25、31、37、51、66、74、100

Contact Type: ZK - Receptacle with Socket

Termination Type: SA - Solder Cup

Hardware Type: 000 - Integrated thread, no hardware required



Type	A	B	C
J30JZLN9ZKSA000	14	10.6	4.7
J30JZLN15ZKSA000	17.8	14.4	
J30JZLN21ZKSA000	21.6	18.2	
J30JZLN25ZKSA000	24.2	20.8	
J30JZLN31ZKSA000	28	24.6	5.8
J30JZLN37ZKSA000	31.8	28.4	
J30JZLN51ZKSA000	30.5	27.1	
J30JZLN66ZKSA000	36.9	33.5	6.9
J30JZLN74ZKSA000	33.1	29.7	
J30JZLN100ZKSA000	40.7	37.3	

J30JZ Series

CB-11

PCB Plug-Vertical

J30JZ/X	P	N	25	TJ	NA	P01
---------	---	---	----	----	----	-----



Series: Plug - J30JZ/X

Shell Style: P - Vertical Mounting

Shell Material & Finish:

N - Aluminum Alloy with Nickel Plated

G - Aluminum Alloy with Cadmium Plated

S - Stainless Steel with Passivation

Contact Layout: 9、15、21、25、31、37、51、66、74、100

Contact Type: TJ - Plug with Pin

Termination Type: NA、N1A、N2A、N3A - Vertical PCB (suitable for Panel Thickness 2.5mm (max))

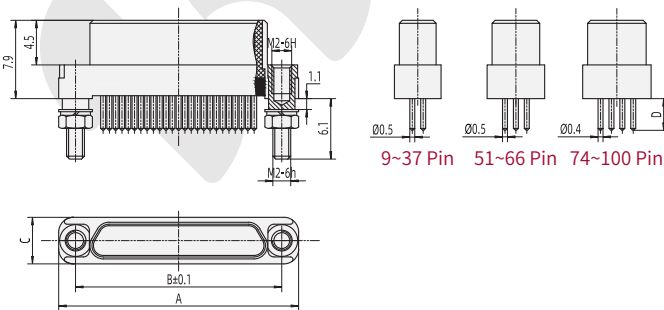
Hardware Type: P01、P02 - With Mount Jackscrew Hardware

For details, refer to "Hardware" section



■ The termination is a Vertical Mount Printed Circuit Board, with a grid pitch of 1.27mm × 1.1mm

■ Type NA: Pin length 3.2mm Type N1A: Pin length 4.2mm
 Type N2A: Pin length 5.2mm Type N3A: Pin length 6.2mm



Type	A	B	C	D
J30JZ/XPN9TJNAP01	14	10.6	4.7	NA:3.2 N1A:4.2 N2A:5.2 N3A:6.2
J30JZ/XPN15TJNAP01	17.8	14.4		
J30JZ/XPN21TJNAP01	21.6	18.2		
J30JZ/XPN25TJNAP01	24.2	20.8		
J30JZ/XPN31TJNAP01	28	24.6		
J30JZ/XPN37TJNAP01	31.8	28.4		
J30JZ/XPN51TJNAP01	30.5	27.1	5.8	
J30JZ/XPN66TJNAP01	36.9	33.5	6.9	
J30JZ/XPN74TJNAP01	33.1	29.7		
J30JZ/XPN100TJNAP01	40.7	37.3		

J30JZ Series

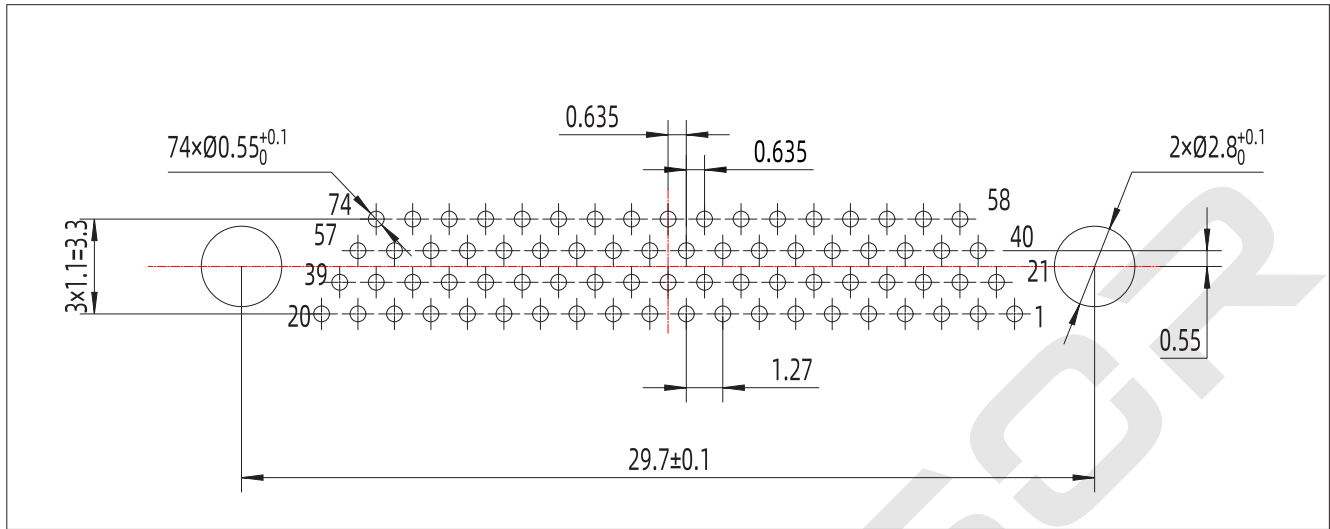
Jan 2025, V1.0

Please visit the official website to download 3D models: www.samsor.com

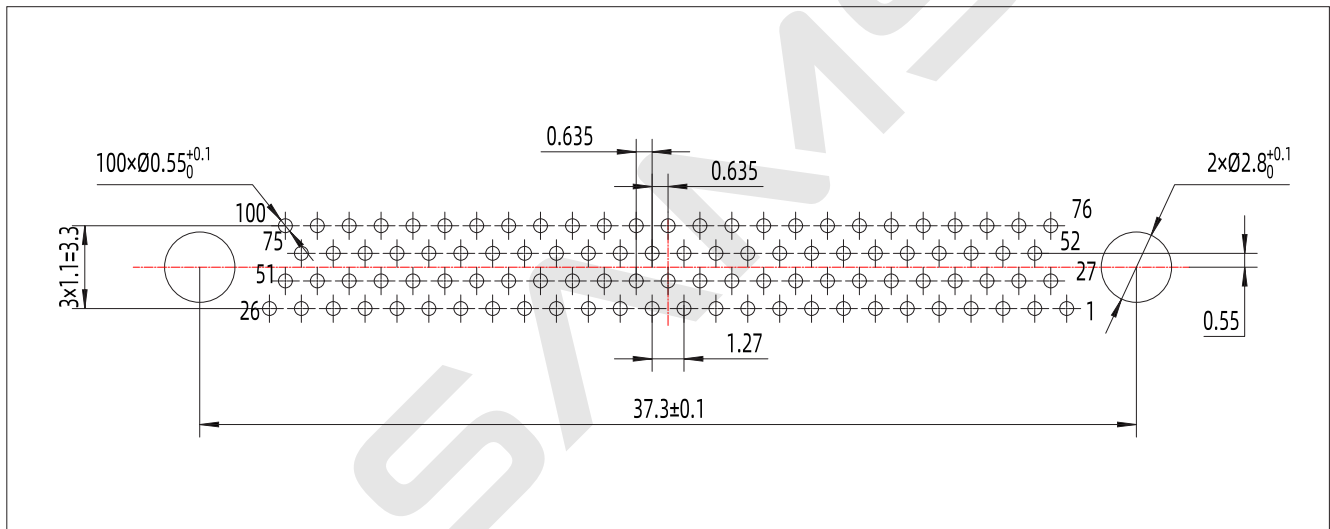
J30JZ/XPnTJNAP01 Series P - Orientation PCB Cutout Dimensions (Grid Spacing 1.27×1.1)

Types NA, N1A, N2A and N3A feature extended pin lengths only; the PCB cutout dimensions is same

Connector-to-PCB Orientation View



J30JZ/XPn74TJNAP01

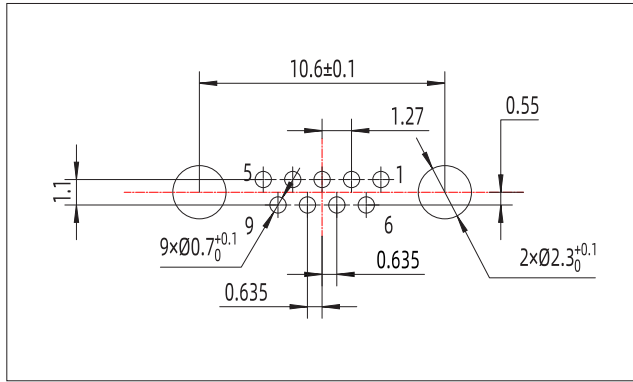


J30JZ/XPn100TJNAP01

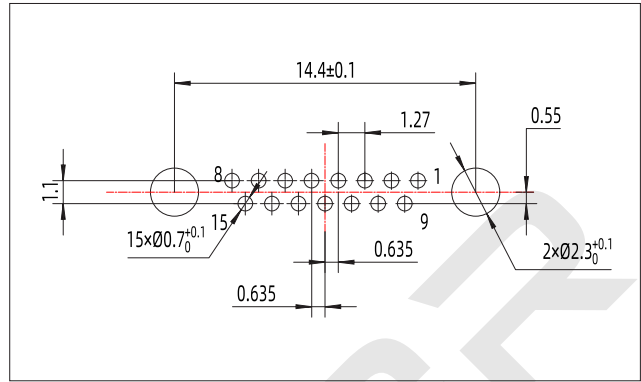
J30JZPNnZKNA000 Series P - Orientation PCB Cutout Dimensions (Grid Spacing 1.27×1.1)

Types NA, N1A, N2A and N3A feature extended pin lengths only; the PCB cutout dimensions is same

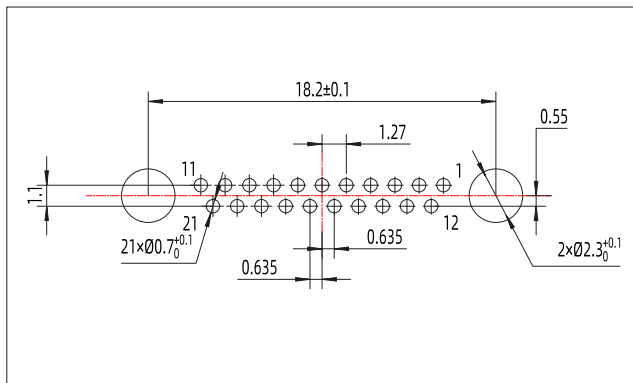
Connector-to-PCB Orientation View



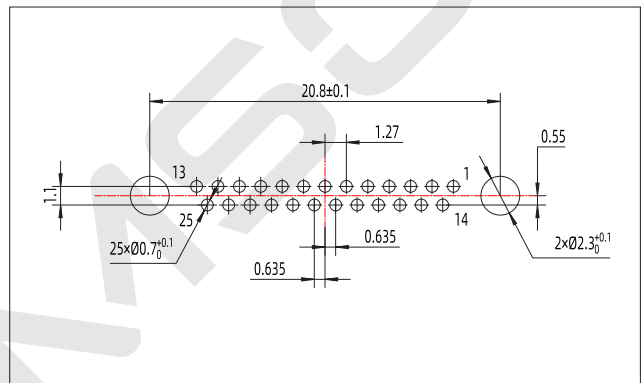
J30JZPN9ZKNA000



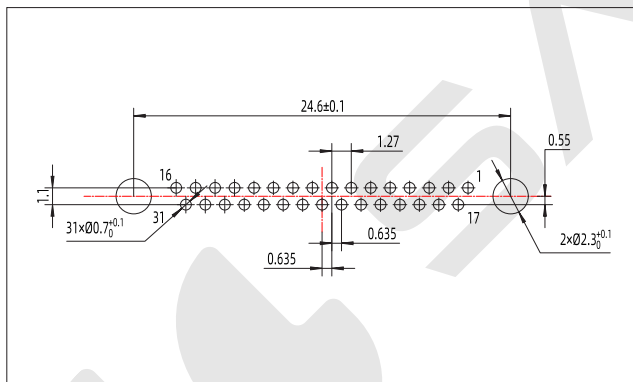
J30JZPN15ZKNA000



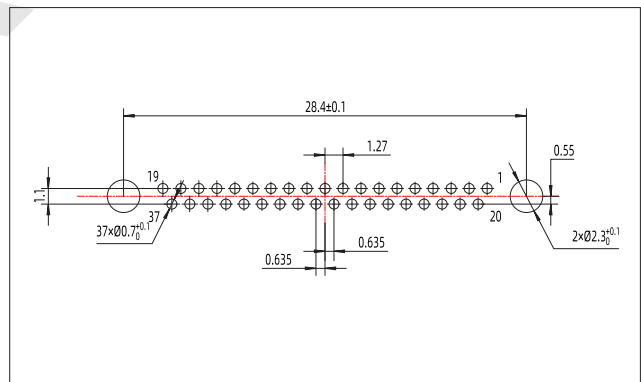
J30JZPN21ZKNA000



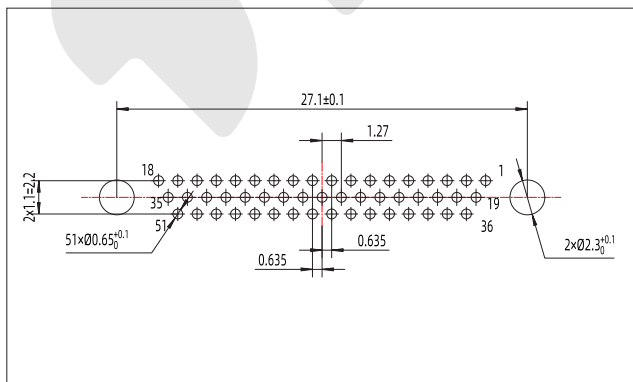
J30JZPN25ZKNA000



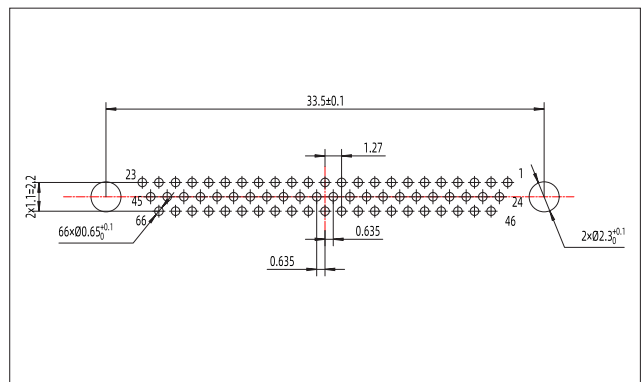
J30JZPN31ZKNA000



J30JZPN37ZKNA000



J30JZPN51ZKNA000

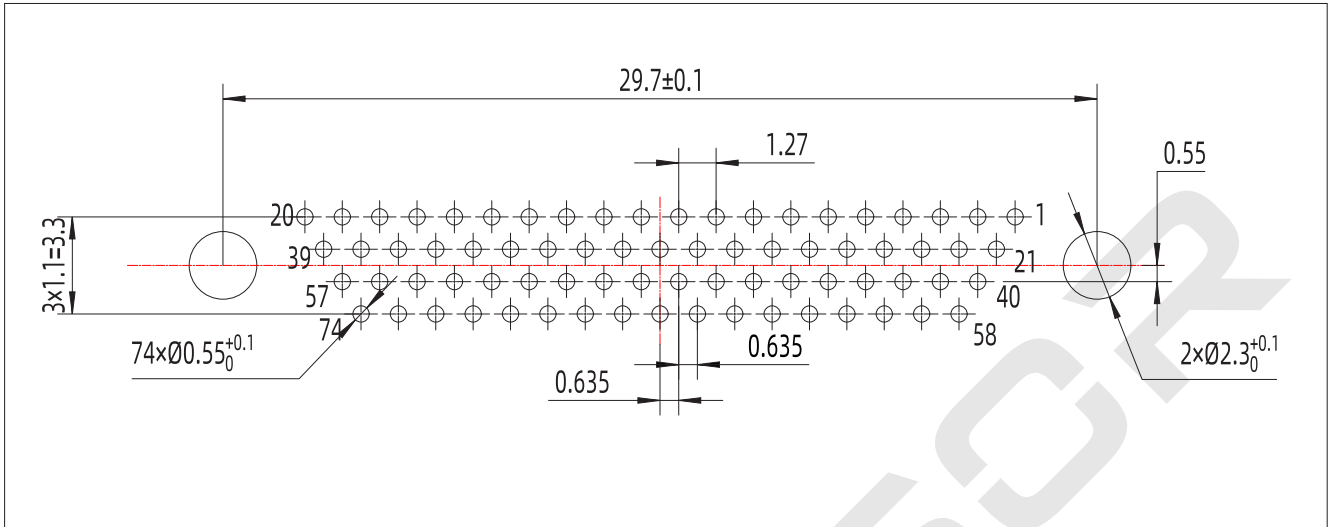


J30JZPN66ZKNA000

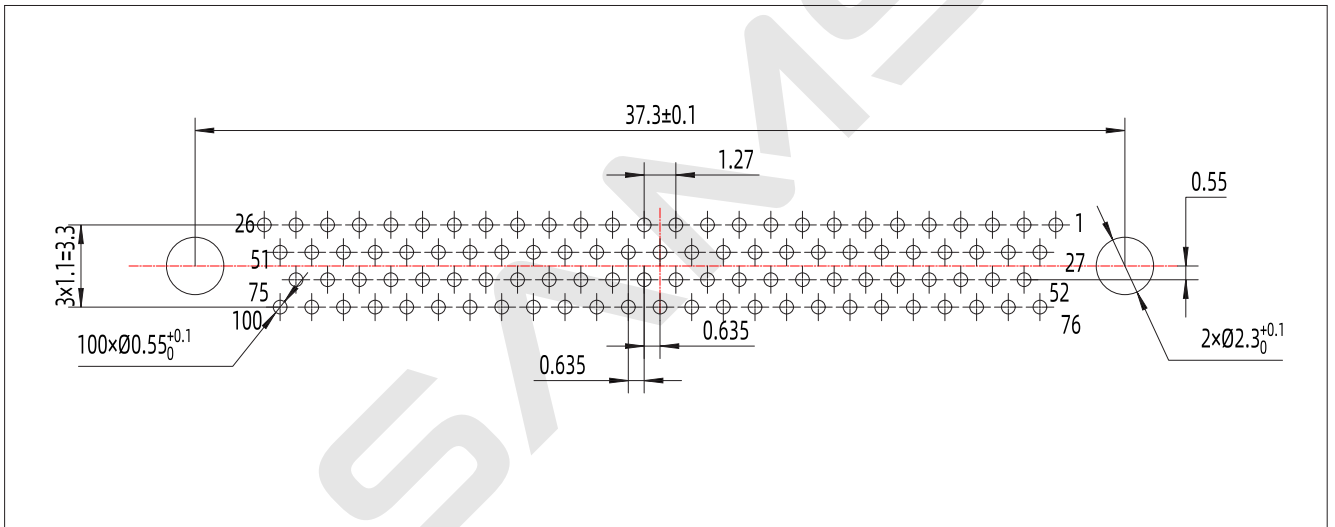
**J30JZPNnZKNA000 Series P - Orientation PCB
Cutout Dimensions (Grid Spacing 1.27×1.1)**

Types NA, N1A, N2A and N3A feature extended pin lengths only; the PCB cutout dimensions is same

Connector-to-PCB Orientation View



J30JZPN74ZKNA000



J30JZPN100ZKNA000

PCB Plug-Right Angle

J30JZ/X	L	N	25	TJ	WA	000
---------	---	---	----	----	----	-----



Series: Plug - J30JZ/X

Shell Style: L - Horizontal Mounting

Shell Material & Finish:

N - Aluminum Alloy with Nickel Plated

G - Aluminum Alloy with Cadmium Plated

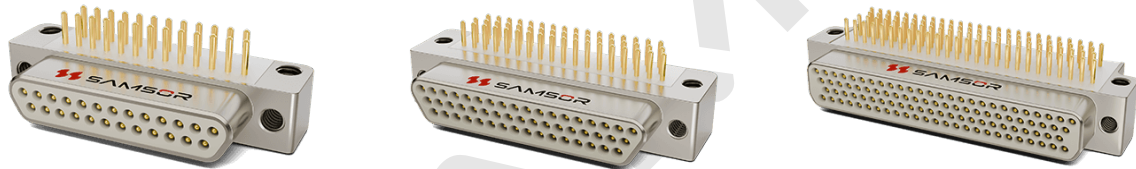
S - Stainless Steel with Passivation

Contact Layout: 9、15、21、25、31、37、51、66、74、100

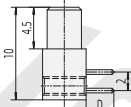
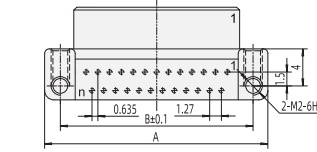
Contact Type: TJ - Plug with Pin

Termination Type: WA、W1A、W2A、W3A - Right Angle PCB (suitable for Panel Thickness 2mm (max))

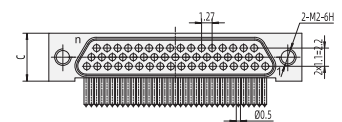
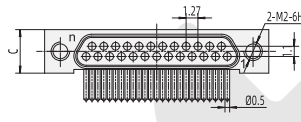
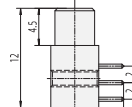
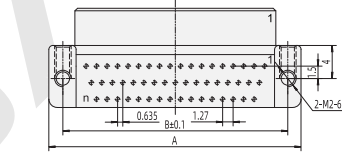
Hardware Type: 000- Integrated thread, no hardware required



9~37 Pin

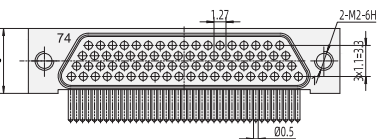
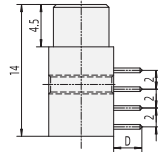
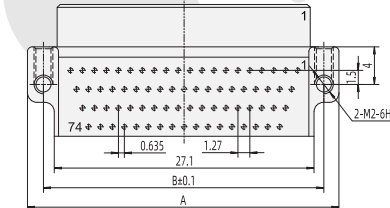


51~66 Pin



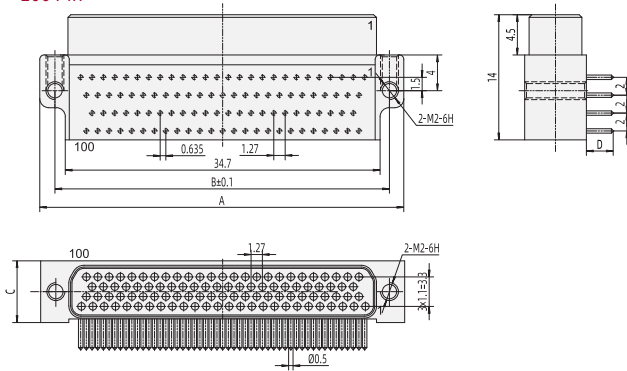
■ The termination is a Right Angle Mount Printed Circuit Board, with a grid pitch of 1.27mm×2mm. There are four types: WA, W1A, W2A, and W3A. Please refer to the table below for specific dimensions

74 Pin



Type	A	B	C	D
J30JZ/XLN9TJWA000	14	10.6	4.7	WA:3 W1A:4 W2A:5 W3A:6
J30JZ/XLN15TJWA000	17.8	14.4		
J30JZ/XLN21TJWA000	21.6	18.2		
J30JZ/XLN25TJWA000	24.2	20.8		
J30JZ/XLN31TJWA000	28	24.6		
J30JZ/XLN37TJWA000	31.8	28.4	5.8	
J30JZ/XLN51TJWA000	30.5	27.1		
J30JZ/XLN66TJWA000	36.9	33.5		
J30JZ/XLN74TJWA000	33.1	29.7	6.9	
J30JZ/XLN100TJWA000	40.7	37.3		

100 Pin

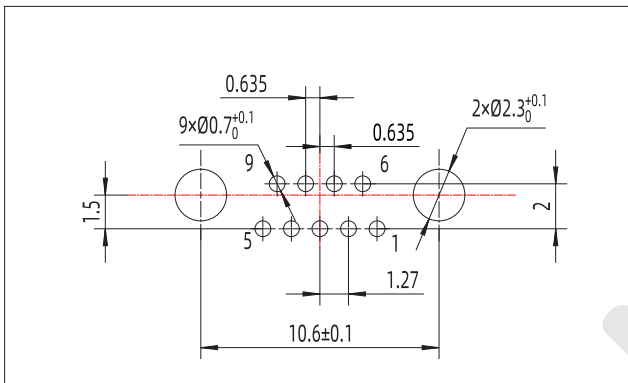


Type	A	B	C	D
J30JZ/XLN9TJWA000	14	10.6	4.7	WA:3 W1A:4 W2A:5 W3A:6
J30JZ/XLN15TJWA000	17.8	14.4		
J30JZ/XLN21TJWA000	21.6	18.2		
J30JZ/XLN25TJWA000	24.2	20.8		
J30JZ/XLN31TJWA000	28	24.6		
J30JZ/XLN37TJWA000	31.8	28.4	5.8	
J30JZ/XLN51TJWA000	30.5	27.1		
J30JZ/XLN66TJWA000	36.9	33.5	6.9	
J30JZ/XLN74TJWA000	33.1	29.7		
J30JZ/XLN100TJWA000	40.7	37.3		

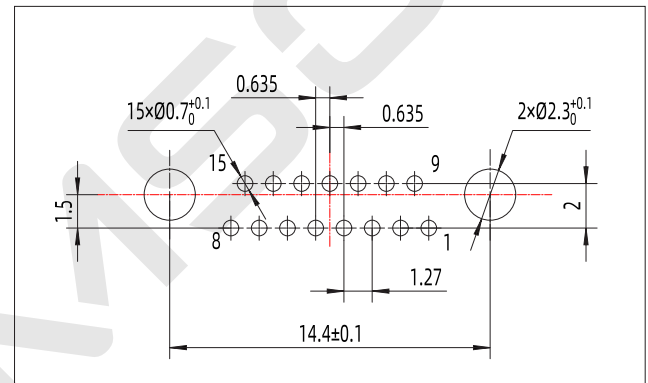
J30JZ/XLNnTJWA000 Series P - Orientation PCB Cutout Dimensions (Grid Spacing 1.27×2)

Types WA, W1A, W2A and W3A feature extended pin lengths only; the PCB cutout dimensions is same

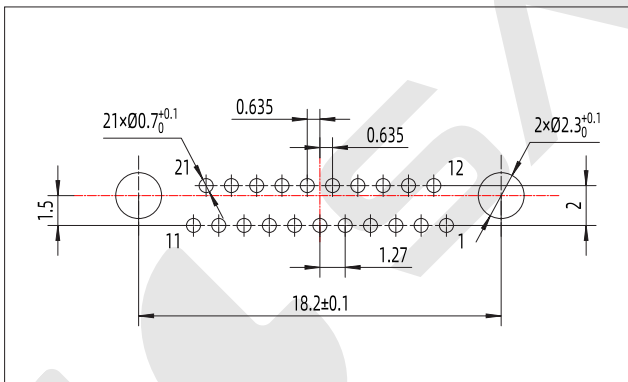
Connector-to-PCB Orientation View



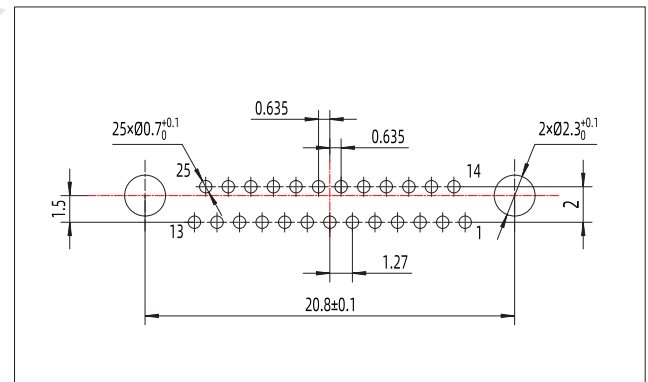
J30JZ/XLN9TJWA000



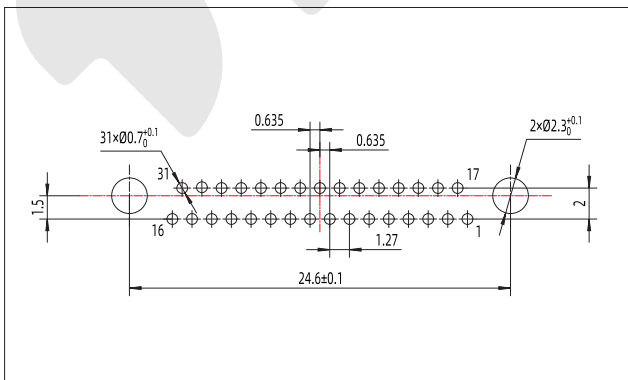
J30JZ/XLN15TJWA000



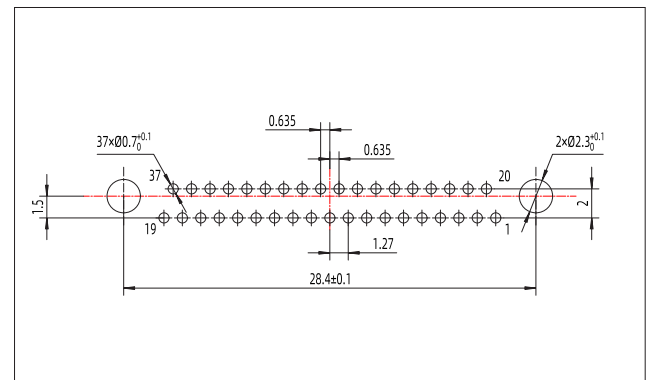
J30JZ/XLN21TJWA000



J30JZ/XLN25TJWA000



J30JZ/XLN31TJWA000

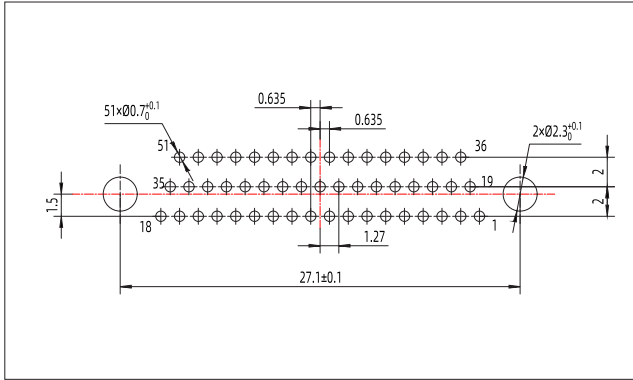


J30JZ/XLN37TJWA000

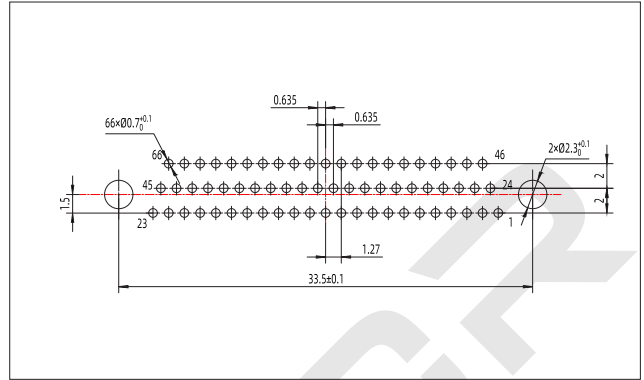
**J30JZ/XLNnTJWA000 Series P - Orientation PCB
Cutout Dimensions (Grid Spacing 1.27×2)**

Types WA, W1A, W2A and W3A feature extended pin lengths only; the PCB cutout dimensions is same

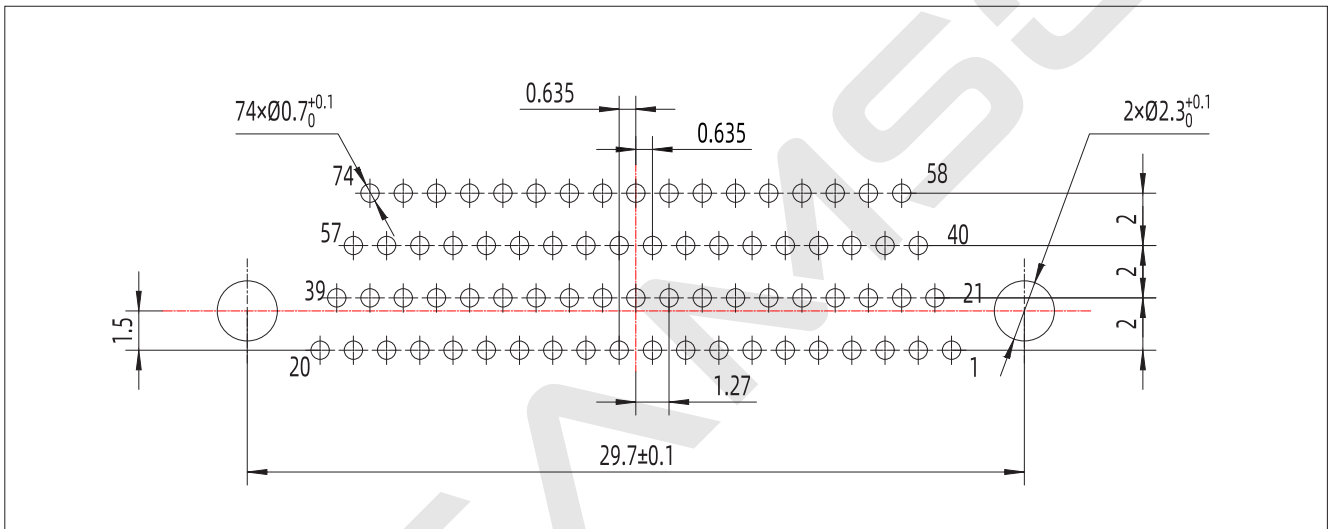
Connector-to-PCB Orientation View



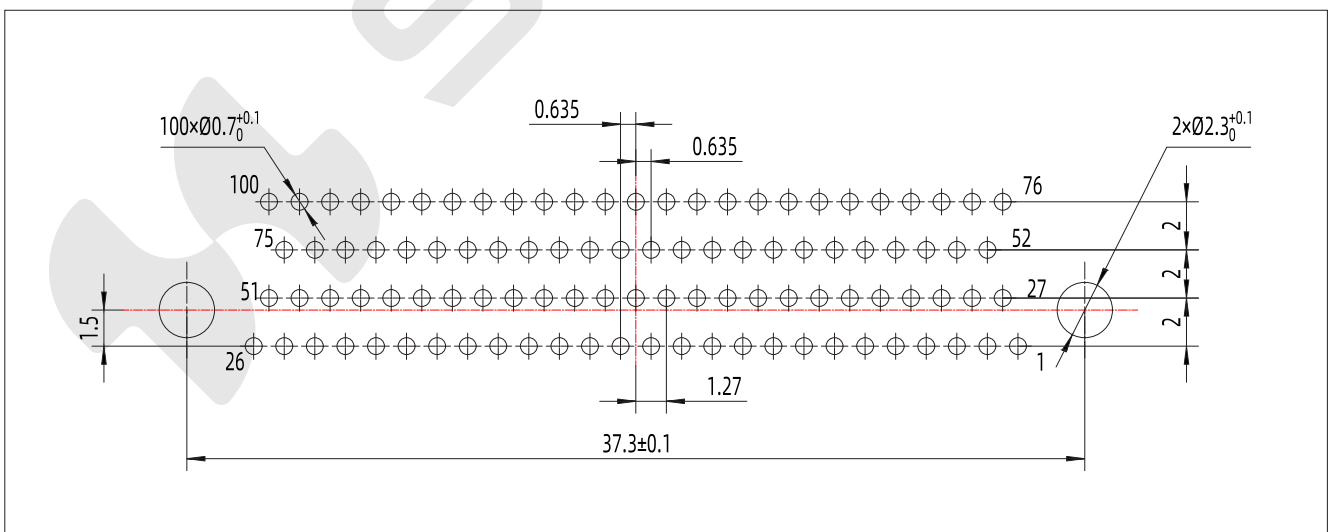
J30JZ/XLN51TJWA000



J30JZ/XLN66TJWA000



J30JZ/XLN74TJWA000



J30JZ/XLN100TJWA000

PCB Receptacle-Right Angle

J30JZ	L	N	25	ZK	WA	000
-------	---	---	----	----	----	-----



Series: Receptacle - J30JZ

Shell Style: L-Horizontal Mounting

Shell Material & Finish:

N - Aluminum Alloy with Nickel Plated

G - Aluminum Alloy with Cadmium Plated

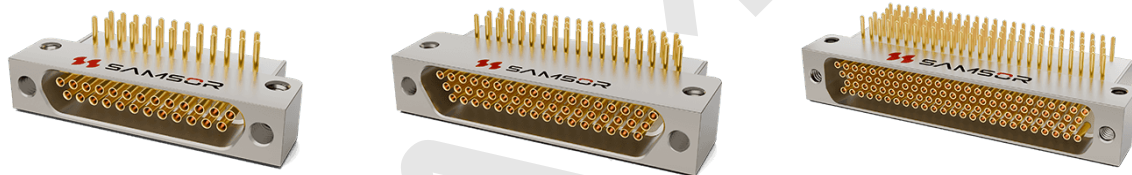
S - Stainless Steel with Passivation

Contact Layout: 9、15、21、25、31、37、51、66、74、100

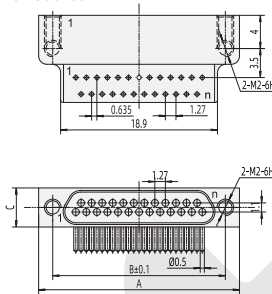
Contact Type: ZK - Receptacle with Socket

Termination Type: WA、W1A、W2A、W3A - Right Angle PCB (suitable for Panel Thickness 2mm (max))

Hardware Type: 000- Integrated thread, no hardware required

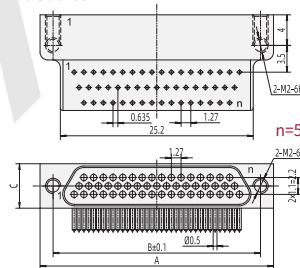


9-37 Socket

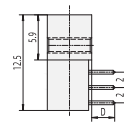


n=9、15、31、37

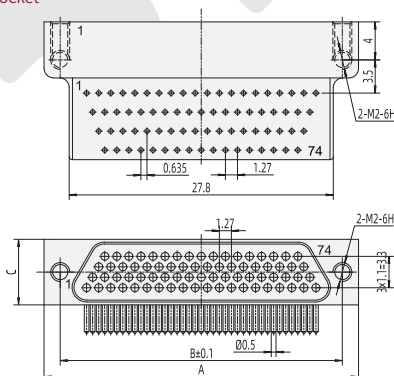
51-66 Socket



n=51、66



74 Socket



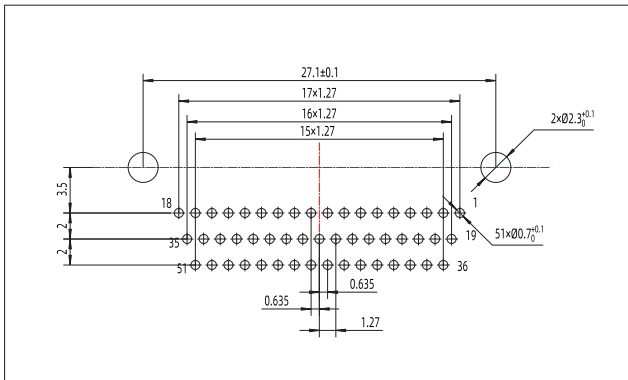
The termination is a Right Angle Mount Printed Circuit Board, with a grid pitch of 1.27mm×2mm. There are four types: WA, W1A, W2A, and W3A. Please refer to the table below for specific dimensions

Type	A	B	C	D
J30JZLN9ZKWA000	14	10.6	4.7	WA:3 W1A:4 W2A:5 W3A:6
J30JZLN15ZKWA000	17.8	14.4		
J30JZLN21ZKWA000	21.6	18.2		
J30JZLN25ZKWA000	24.2	20.8		
J30JZLN31ZKWA000	28	24.6		
J30JZLN37ZKWA000	31.8	28.4		
J30JZLN51ZKWA000	30.5	27.1	5.8	
J30JZLN66ZKWA000	36.9	33.5		
J30JZLN74ZKWA000	33.1	29.7	6.9	
J30JZLN100ZKWA000	40.7	37.3		

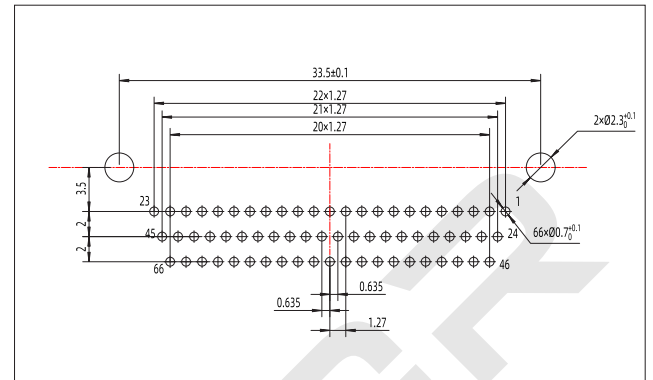
J30JZLNnZKWA000 Series P - Orientation PCB Cutout Dimensions (Grid Spacing 1.27×2)

Types WA, W1A, W2A and W3A feature extended pin lengths only; the PCB cutout dimensions is same

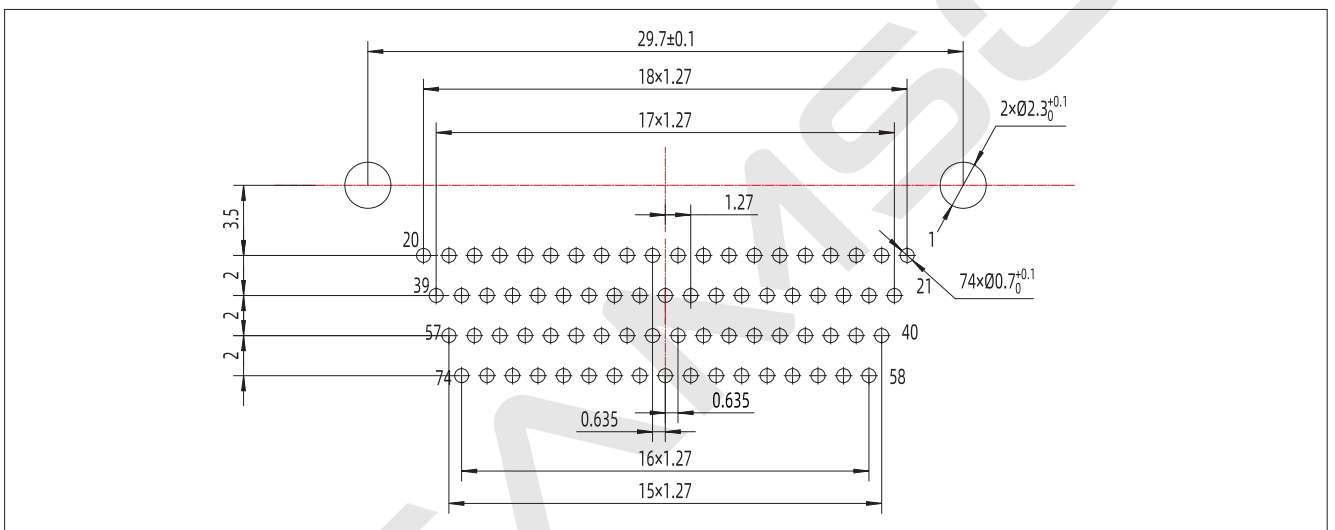
Connector-to-PCB Orientation View



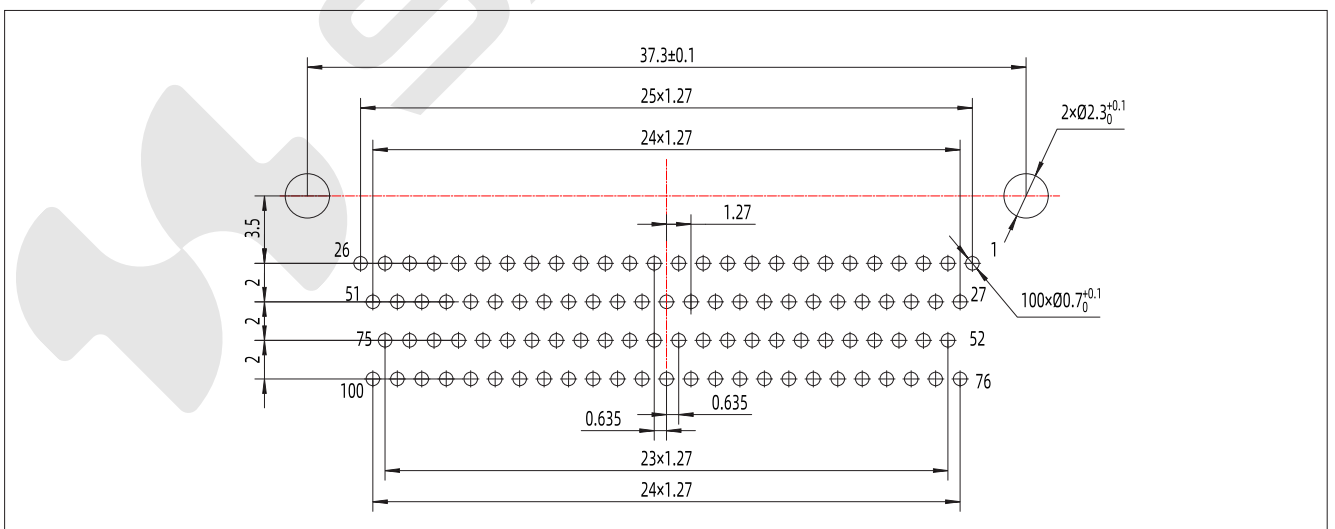
J30JZLN51ZKWA000



J30JZLN66ZKWA000



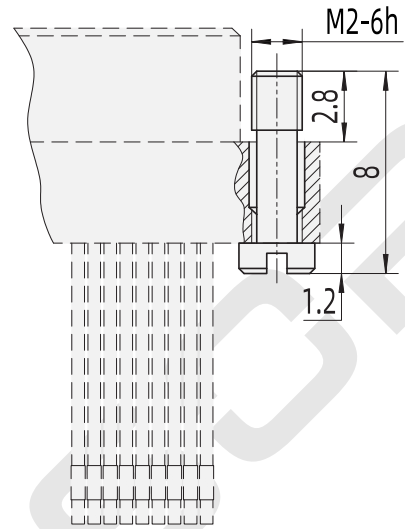
J30JZLN74ZKWA000



J30JZLN100ZKWA000

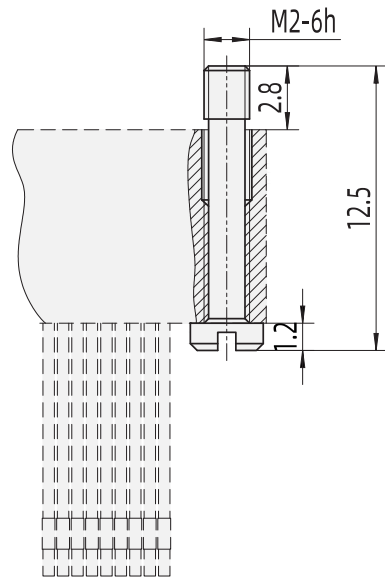
Hardware - Free End

L01、L20、L22



Component Identifier	Instructions
L01	Slotted Head Jackscrew, reverse rotation causes screw removal
L20	Hex socket (S1.5) screw, loosens when rotated counterclockwise
L22	Phillips Jackscrew, reverse rotation causes screw removal

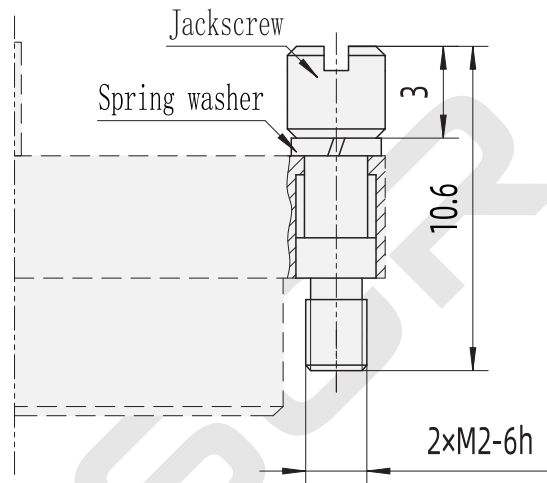
L02、L21、L23



Component Identifier	Application	Instructions
L02	Specifically for J30JZPEN	Slotted Head Jackscrew, reverse rotation causes screw removal
L21		Hex socket (S1.5) screw, loosens when rotated counterclockwise
L23		Phillips Jackscrew, reverse rotation causes screw removal

Hardware - Free End

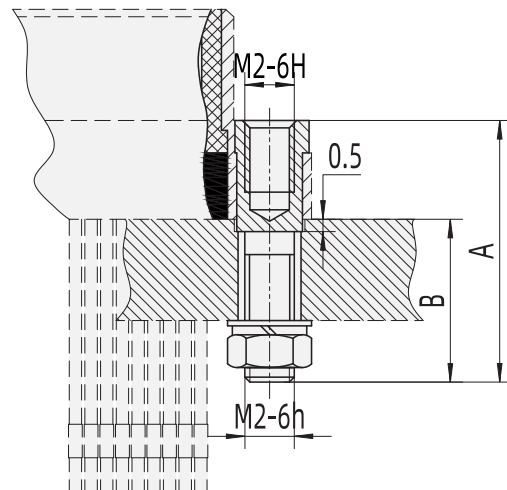
L01A



Component Identifier	Instructions
L01A	The L01A type hardware is designed exclusively for use with the J30JZ plug end for clamping, providing captive functionality

Hardware - Fixed End

P01、P02



Component Identifier	A	B	Instructions
P01	9.5	5.5	Suitable for panel thickness up to 2.5mm
P02	12.5	8.5	Suitable for panel thickness up to 5mm