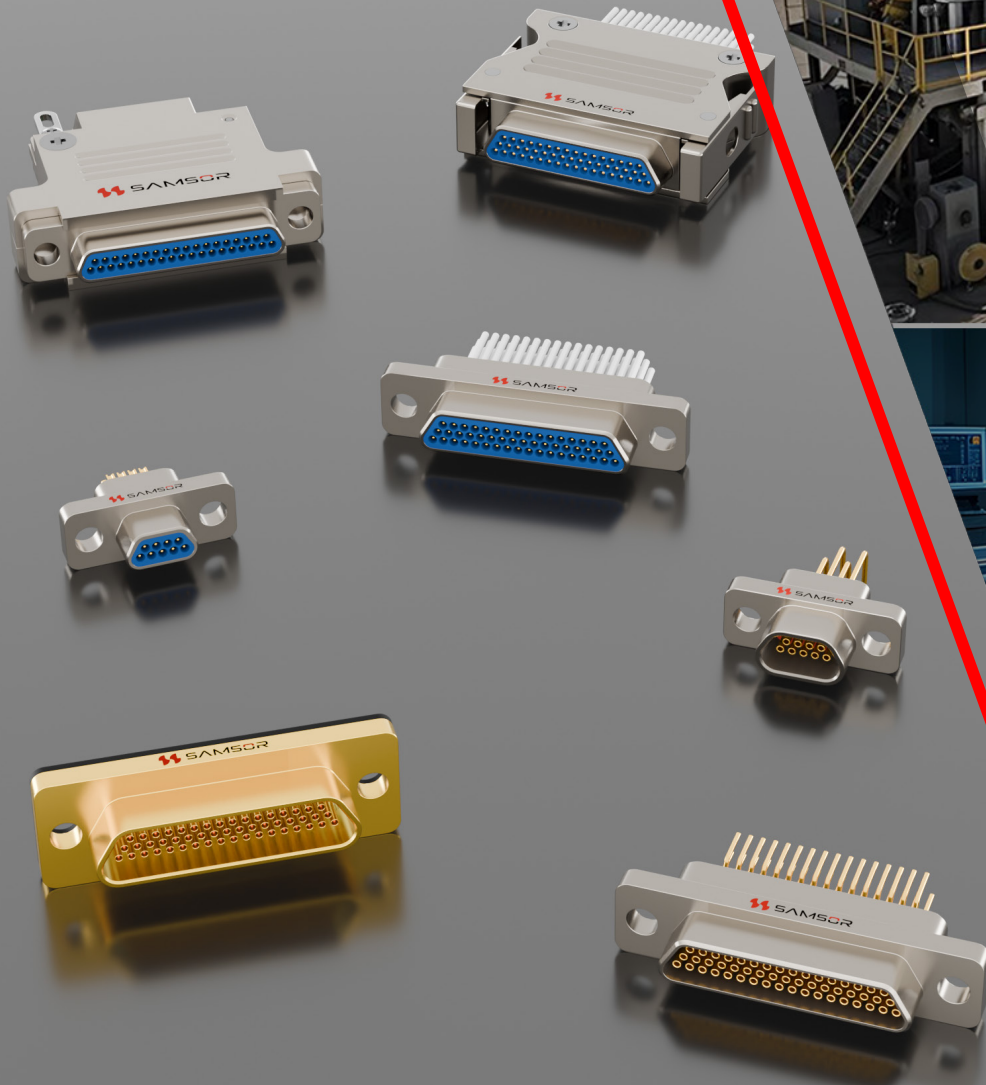




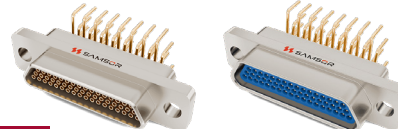

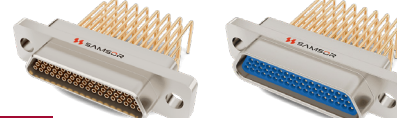
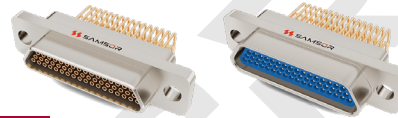
# J30J Series

## Micro-D Connector






# Product Selection Guide

J30J Standard Series		
 <p><b>3</b></p> <p>J30J Standard Pre-wired</p>	 <p><b>5</b></p> <p>J30J Solder Cup</p>	 <p><b>7</b></p> <p>J30J Vertical PCB (2.54×2.54)</p>
 <p><b>13</b></p> <p>J30J Vertical PCB (1.27×2.54)</p>	 <p><b>19</b></p> <p>J30J Right Angle PCB(2.54×2.54)</p>	 <p><b>25</b></p> <p>J30J Right Angle PCB(1.27×2.54)</p>
 <p><b>31</b></p> <p>J30JD Threaded Hole Mounting</p>	 <p><b>33</b></p> <p>J30J Backshell</p>	 <p><b>35</b></p> <p>J30J-C Right Angle Exit</p>
 <p><b>37</b></p> <p>J30J-D Anti-Rotation Accessory</p>	 <p><b>39</b></p> <p>J30J-Q Flange Widened &amp; Lengthened</p>	 <p><b>41</b></p> <p>J30J-Q8 Flange Widened &amp; Lengthened</p>
 <p><b>43</b></p> <p>J30JM Epoxy-sealed</p>	 <p><b>45</b></p> <p>J30JY Rainproof</p>	
J30JA Quick-Lock Series		
 <p><b>47</b></p> <p>J30JA Quick-Lock Pre-wired</p>	 <p><b>49</b></p> <p>J30JA Quick-Lock Solder Cup</p>	 <p><b>50</b></p> <p>J30JA Quick-Lock Vertical PCB</p>
 <p><b>56</b></p> <p>J30JA Quick-Lock Right Angle PCB</p>		

J30JR Reversed Series		
 <p><b>62</b></p> <p>J30JR Reversed Pre-wired</p>	 <p><b>63</b></p> <p>J30JR Reversed Solder Cup</p>	 <p><b>64</b></p> <p>J30JR Reversed Vertical PCB (2.54×2.54)</p>
 <p><b>70</b></p> <p>J30JR Reversed Vertical PCB (1.27×2.54)</p>	 <p><b>76</b></p> <p>J30JR Reversed Right Angle PCB (2.54×2.54)</p>	 <p><b>82</b></p> <p>J30JR Reversed Right Angle PCB (1.27×2.54)</p>

J30J Other Series				
 <p><b>88</b></p> <p>J30JM1 Hermetic</p>	 <p><b>88</b></p> <p>J30JE Shortened Rear</p>	 <p><b>89</b></p> <p>J30JC Phosphor Bronze</p>	 <p><b>89</b></p> <p>J30JN High-Temperature Resistant</p>	 <p><b>89</b></p> <p>J30JS Stainless Steel</p>

Accessory Styles and Panel Cutout Dimensions		
 <p><b>90</b></p> <p>Backshell</p>	 <p><b>92</b></p> <p>Hardware(P type、L type)</p>	 <p><b>101</b></p> <p>Front Panel Cutout Dimensions</p>

## Features

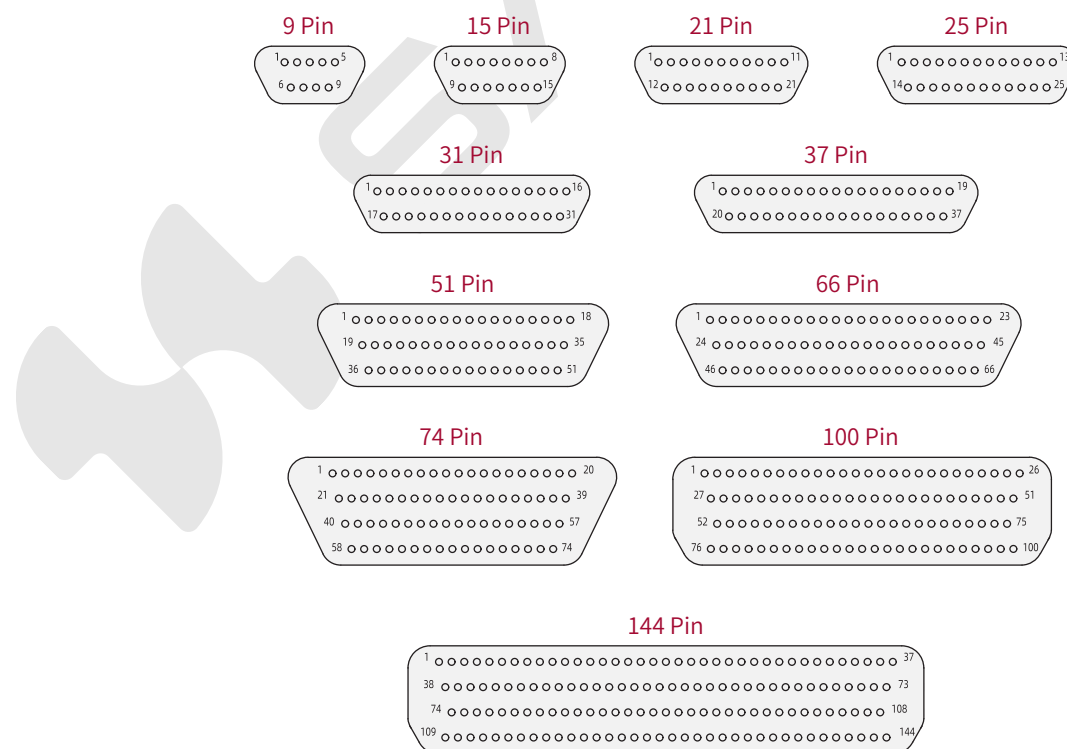
Compatible with the U.S. MDM series product
Number of Contacts: Available in 11 configurations with 9, 15, 21, 25, 31, 37, 51, 66, 74, 100, and 144 pins respectively
Adopts stranded wire elastic pins (TwistPin) contacts, high contact density
Suitable for conductor cross-sectional areas from 0.1mm <sup>2</sup> to 0.15mm <sup>2</sup> . Thinner conductor require modification. Please specify this requirement when placing an order. Default Supply: 0.12mm <sup>2</sup> white high-temperature resistant silver-plated wrapped wire
The hardware for this series is supplied and assembled to the product per ordering requirements. If hardware is not required, it must be specified in the contract
Meets GJB2446A requirements (equivalent to MIL-DTL-83513)
Implemented Enterprise Standard: Q/SS104-2017

## Performance Specifications

<b>Operating Temperature:</b> -55°C ~ +125°C	<b>Vibration:</b> 10Hz ~ 2000Hz 196m/s <sup>2</sup>
<b>Random vibration:</b> Power density 0.4G <sup>2</sup> /Hz. The total acceleration-root-mean square is 23.1G	<b>Shock:</b> 735m/s <sup>2</sup> 11ms
<b>Rated Current:</b> 3A	<b>Contact Resistance:</b> ≤ 10mΩ
<b>Insulation Resistance:</b> ≥ 5000MΩ	<b>Dielectric Withstand Voltage:</b> 800V
<b>Durability:</b> 500 times	

## Contact Arrangement

Face View Pin Connector



## How to order

J30J	×	-	×	TJ/ZK	×	×	-	×	×	(Note)
------	---	---	---	-------	---	---	---	---	---	--------

**Series:** J30J

### Series Modification:

- Omit - Basic Type
- A - Quick - lock
- C - Shell Material is Phosphor Bronze with Nickel Plating
- D - Mounting Holes Modified to M2-6H
- E - Short Shell Type
- M - Epoxy - sealed Type
- M1 - Glass - sintered Hermetic Type
- N - High Temperature Resistant Type (- 55°C~ +250°C)
- R - Reversed Pin & Socket Arrangement (Corresponding to TK/ZJ)
- S - Material: Stainless Steel
- Y - Rainproof Type

**Contact Layout:** 9、15、21、25、31、37、51、66、74、100、144

### Contact Type:

- TJ - Plug with pin                      ZK - Receptacle with socket
- Except for the J30JR series products, which features reversed pin and socket contacts (TK/ZJ), all other products use the fixed mating combination of TJ and ZK*

### Termination Type:

- Omit - Pre-wired              S - Solder Cup              N - Vertical PCB              W - Right-Angle PCB

### Hardware Type:

- Omit - Default hardware(L type for pre - wired and solder plugs; P type for pre - wired and solder receptacles, P5 type for Vertical PCB mount connectors, and P7 type for right - angle PCB mount connectors)
- Y - No Hardware
- Other Types-Refer to "J30J Series Hardware Accessories"for details

**Shell Finish:** Omit - Nickel Plated              G - Cadmium Plated

### Modification Code:

- Omit - Basic Type
- A - Wire with external braided shield, shell tail with backshell
- C - The direction of the wire exit of the pre - wired product is perpendicular to the mating direction of the plug/receptacle
- D - Anti - rotation slot on mating face of receptacle housing flange
- J - Grid pitch of PCB: 1.27mm×2.54mm (Column×Row)
- Q/Q8 - Widened flange
- A1 - Rear cable clamp accessory (only for pre - wired and solder products)
- A3 - Rear cable clamp accessory (only for pre - wired and solder products)

### Note: Wire Requirements for Pre-wired Product

If not specified, the default configuration is L=250 mm, AFR250 - 0.12mm<sup>2</sup>-250V, White

If there are other requirements, specify as follows: Wire length (from the rear exit point, unit: mm, default: 250mm); Braid shield (P - Lightweight braided shield; default: no braid shield); Nylon sleeve(F - for military green nylon sleeve; Default: No nylon sleeve); Wire Grade (commonly AFR250, default AFR250); Wire Gauge(compatible with 0.1mm<sup>2</sup> - 0.15mm<sup>2</sup>, default: 0.12mm<sup>2</sup>); Wire Color (optional multiple colors, default: white), Default items may be omitted; all other requirements can be noted. The above notes do not appear on product markings. They only serve as wire requirements for ordering pre-wired products with leads.For additional wiring definitions or requirements, please contact our engineers

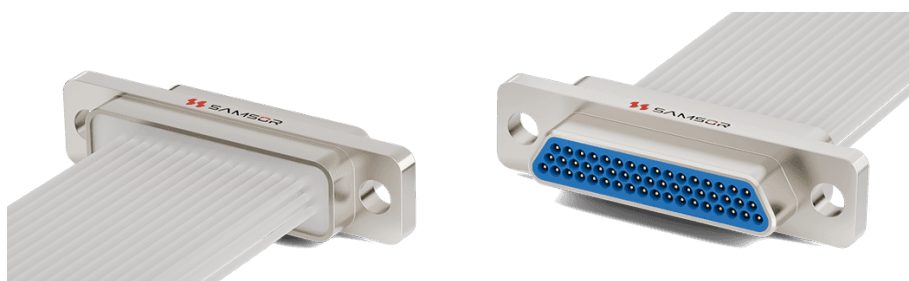
### Note Examples:

(L600PF AFR250 0.15 White) - Length: 600mm, white wire, type AFR250, Gauge: 0.15mm<sup>2</sup>, braided shielding over wire; nylon sleeve over shielding

(L300F 0.1) - Length: 300mm, white wire, type AFR250, Gauge: 0.1mm<sup>2</sup>, without braid shield, with nylon sleeve over the wire.

## Pre-wired Plug - Basic Type J30J-TJ

J30J	-	51	T	J	L	(Note)
------	---	----	---	---	---	--------



**Series:** J30J

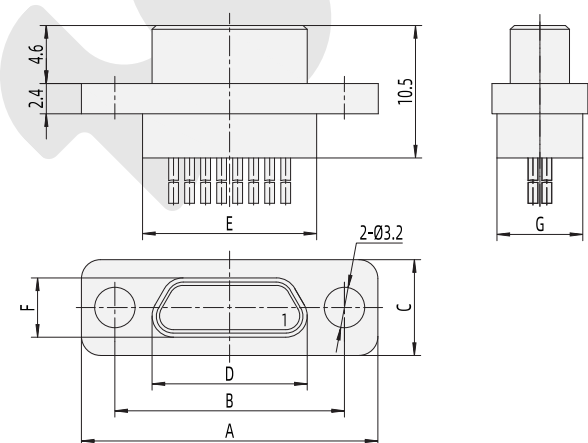
**Contact Layout:** 9, 15, 21, 25, 31, 37, 51, 66, 74, 100, 144

**Plug/Receptacle Type:** T - Plug

**Contact Type:** J - Pin Contact

**Hardware Type:** L - type. For other types, refer to the "J30J Series hardware" section

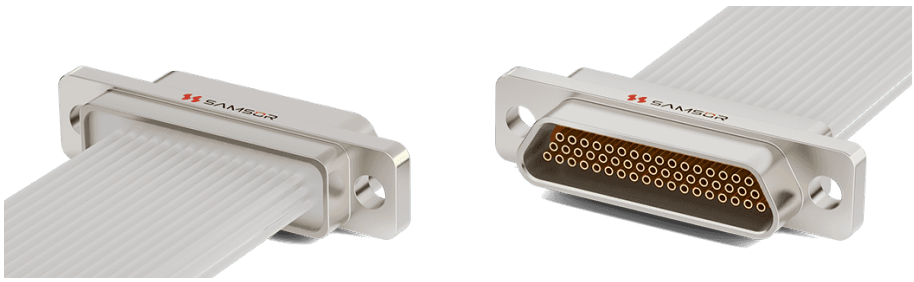
**Note:** For wire configuration, please refer to the notes in the "Model Naming" section



Type	A	B	C	D	E	F	G
J30J-9TJ	19.6	14.3	7.6	8.3	9.9	4.7	6.8
J30J-15TJ	23.5	18.2	7.6	12.3	13.8	4.7	6.8
J30J-21TJ	27.4	22	7.6	16	17.6	4.7	6.8
J30J-25TJ	29.8	24.5	7.6	18.6	20.2	4.7	6.8
J30J-31TJ	33.6	28.3	7.6	22.4	24	4.7	6.8
J30J-37TJ	37.4	32.2	7.6	26.3	27.8	4.7	6.8
J30J-51TJ	36.4	30.86	8.7	25	26.6	5.8	7.9
J30J-66TJ	42.9	37.3	8.7	31.4	33	5.8	7.9
J30J-74TJ	38.8	33.5	9.7	27.5	29.1	6.8	9.1
J30J-100TJ	54.7	45.7	9.7	35	36.6	6.8	9.1
J30J-144TJ	66.6	58.6	9.7	49	50.6	6.8	9.1

**Pre-wired Receptacle- Basic Type J30J-ZK**

J30J	-	51	Z	K	P	(Note)
------	---	----	---	---	---	--------



Series: J30J

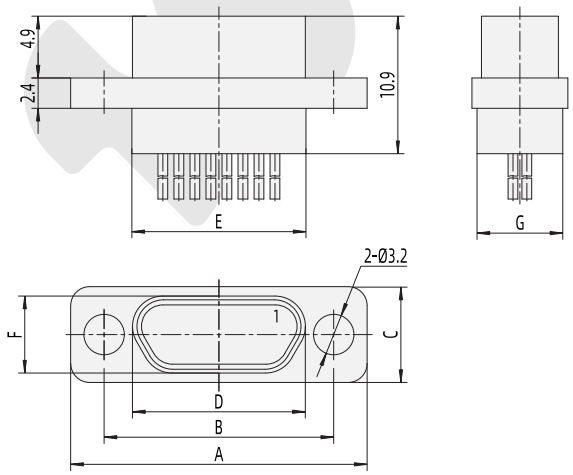
Contact Layout: 9、15、21、25、31、37、51、66、74、100、144

Plug/Receptacle Type: Z - Receptacle

Contact Type: K - Socket Contact

Hardware Type: P - type. For other types, refer to the "J30J Series hardware" section

Note: For wire configuration, please refer to the notes in the "Model Naming" section

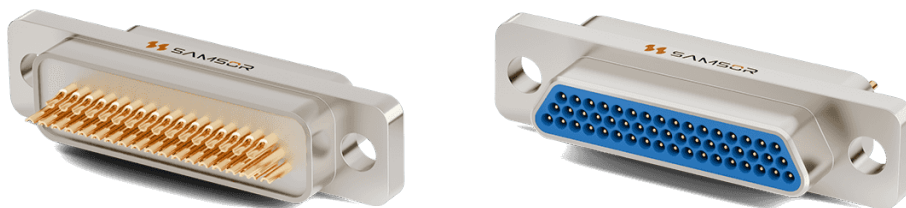


Type	A	B	C	D	E	F	G
J30J-9ZK	19.6	14.3	7.6	9.8	9.9	6.1	6.8
J30J-15ZK	23.5	18.2	7.6	13.7	13.8	6.1	6.8
J30J-21ZK	27.4	22	7.6	17.4	17.6	6.1	6.8
J30J-25ZK	29.8	24.5	7.6	20	20.2	6.1	6.8
J30J-31ZK	33.6	28.3	7.6	23.8	24	6.1	6.8
J30J-37ZK	37.4	32.2	7.6	27.7	27.8	6.1	6.8
J30J-51ZK	36.4	30.86	8.7	26.5	26.6	7.2	7.9
J30J-66ZK	42.9	37.3	8.7	32.9	33	7.2	7.9
J30J-74ZK	38.8	33.5	9.7	29	29.1	8.3	9.1
J30J-100ZK	54.7	45.7	9.7	36.6	36.65	8.2	9.1
J30J-144ZK	66.6	58.6	9.7	50.6	50.6	8.2	9.1

**J30J Series**

## Solder Cup Plug J30J-TJS

J30J	-	51	T	J	S	L
------	---	----	---	---	---	---



Series: J30J

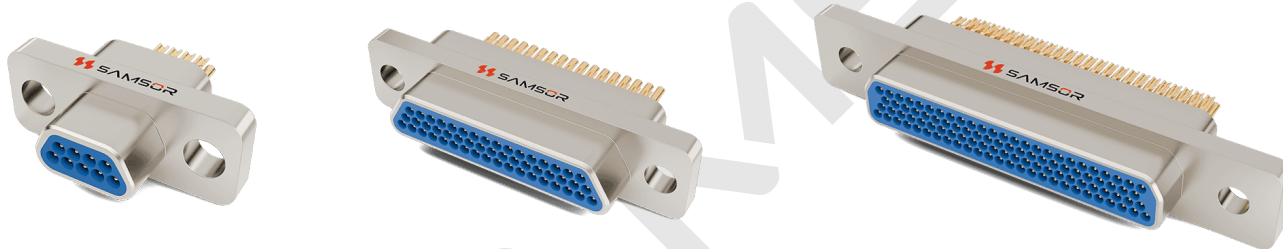
Contact Layout: 9、15、21、25、31、37、51、66、74、100、144

Plug/Receptacle Type: T - Plug

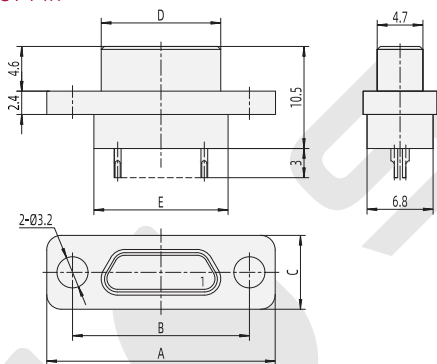
Contact Type: J - Pin Contact

Termination Style: S - Solder Cup

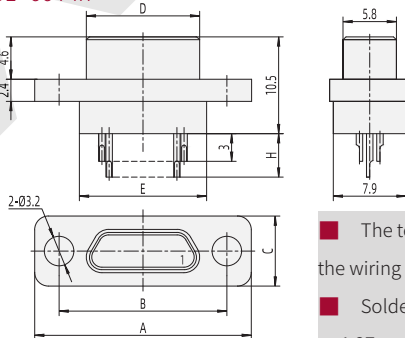
Hardware Type: L - type. For other types, refer to the "J30J Series hardware" section



9~37 Pin



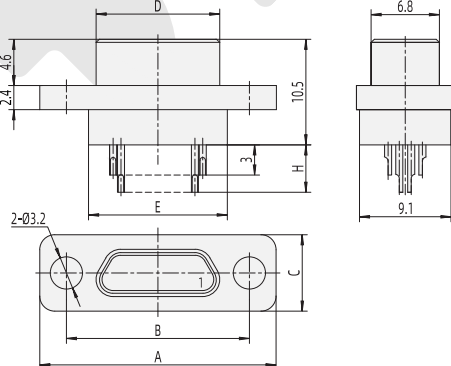
51~66 Pin



The termination is solder cup, customer can solder the wiring themselves

Solder cup inner diameter:  $\Phi 0.5\text{mm}$ , Grid:  $1.1\text{mm} \times 1.27\text{mm}$

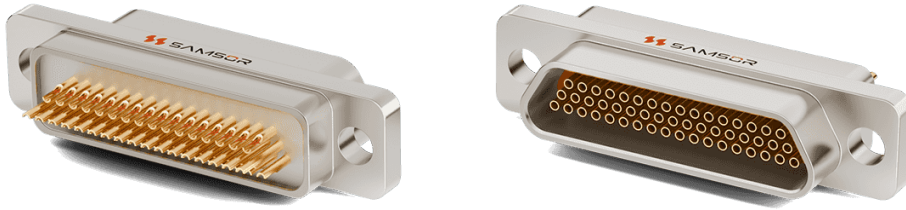
74~144 Pin



Type	A	B	C	D	E	H
J30J-9TJS	19.6	14.3	7.6	8.3	9.9	/
J30J-15TJS	23.5	18.2	7.6	12.3	13.8	/
J30J-21TJS	27.4	22	7.6	16	17.6	/
J30J-25TJS	29.8	24.5	7.6	18.6	20.2	/
J30J-31TJS	33.6	28.3	7.6	22.4	24	/
J30J-37TJS	37.4	32.2	7.6	26.3	27.8	/
J30J-51TJS	36.4	30.86	8.7	25	26.6	5
J30J-66TJS	42.9	37.3	8.7	31.4	33	5
J30J-74TJS	38.8	33.5	9.7	27.5	29.1	5
J30J-100TJS	54.7	45.7	9.7	35	36.6	5
J30J-144TJS	66.6	58.6	9.7	49	50.6	5

**Solder Cup Receptacle J30J-ZKS**

J30J	-	51	Z	K	S	P
------	---	----	---	---	---	---



Series: J30J

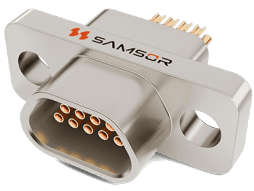
Contact Layout: 9、15、21、25、31、37、51、66、74、100、144

Plug/Receptacle Type: Z - Receptacle

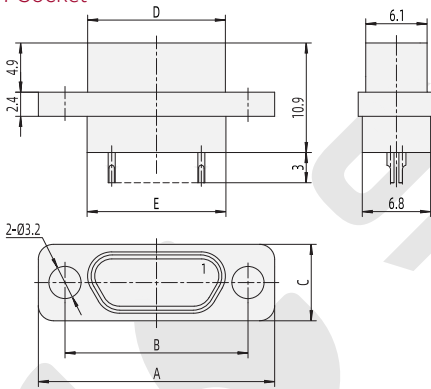
Contact Type: K - Socket Contact

Termination Style: S - Solder Cup

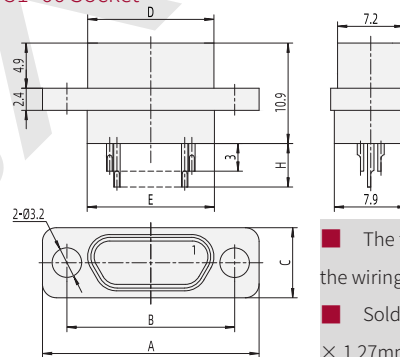
Hardware Type: P - type. For other types, refer to the "J30J Series hardware" section



9~37 Socket



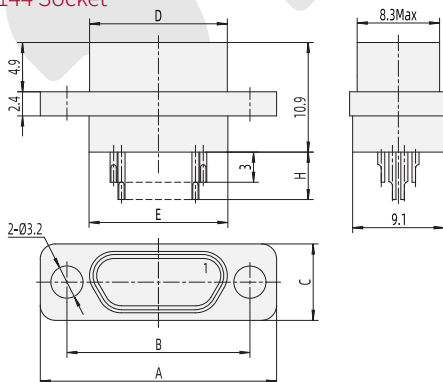
51~66 Socket



■ The termination is solder cup, customer can solder the wiring themselves

■ Solder cup inner diameter:  $\Phi 0.5\text{mm}$ , Grid:  $1.1\text{mm} \times 1.27\text{mm}$

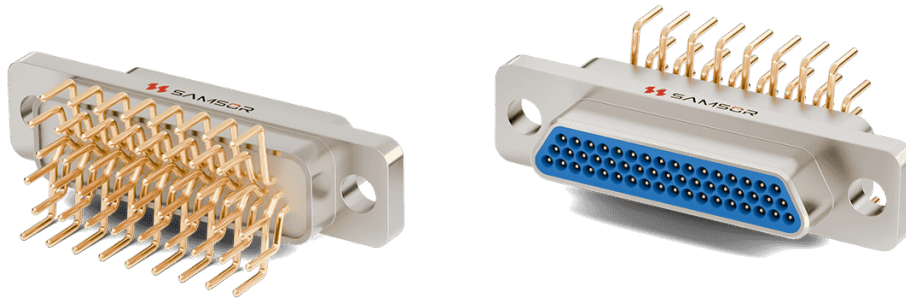
74~144 Socket



Type	A	B	C	D	E	H
J30J-9ZKS	19.6	14.3	7.6	9.8	9.9	/
J30J-15ZKS	23.5	18.2	7.6	13.7	13.8	/
J30J-21ZKS	27.4	22	7.6	17.4	17.6	/
J30J-25ZKS	29.8	24.5	7.6	20	20.2	/
J30J-31ZKS	33.6	28.3	7.6	23.8	24	/
J30J-37ZKS	37.4	32.2	7.6	27.7	27.8	/
J30J-51ZKS	36.4	30.86	8.7	26.5	26.6	5
J30J-66ZKS	42.9	37.3	8.7	32.9	33	5
J30J-74ZKS	38.8	33.5	9.7	29	29.1	5
J30J-100ZKS	54.7	45.7	9.7	36.6	36.65	5
J30J-144ZKS	66.6	58.6	9.7	50.6	50.6	5

## PCB Plug-Vertical J30J-TJNx

J30J	-	51	T	J	N	P5
------	---	----	---	---	---	----



**Series:** J30J

**Contact Layout:** 9、15、21、25、31、37、51、66、74、100、144

**Plug/Receptacle Type:** T - Plug

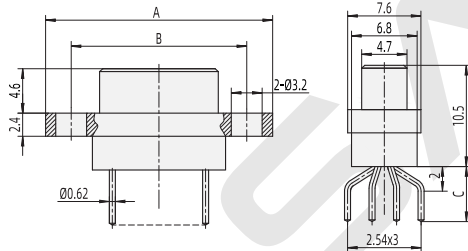
**Contact Type:** J - Pin Contact

**Termination Style:** N-Vertical PCB, Multiple pin lengths are available, distinguished by the code "N+number"

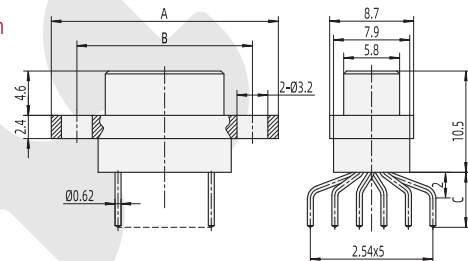
**Hardware Type:** P5 - type. For other types, refer to the "J30J Series hardware" section



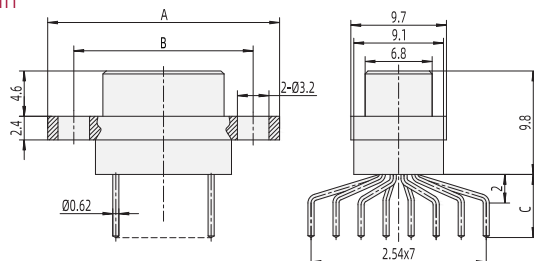
9~37 Pin



51~66 Pin



74~144 Pin



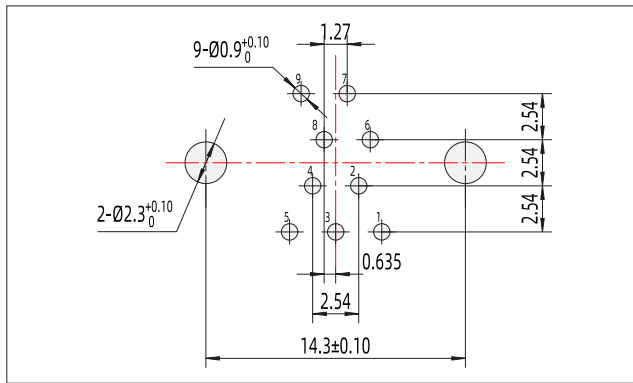
The termination is a Vertical Mount Printed Circuit Board, with a grid of 2.54mmx2.54mm, available in N, N4, and N8. Refer to the table below for detailed dimensions

Type	A	B	C		
			N	N4	N8
J30J-9TJN、N4、N8	19.6	14.3			
J30J-15TJN、N4、N8	23.5	18.2			
J30J-21TJN、N4、N8	27.4	22			
J30J-25TJN、N4、N8	29.8	24.5			
J30J-31TJN、N4、N8	33.6	28.3			
J30J-37TJN、N4、N8	37.4	32.2	5.7	7.2	8
J30J-51TJN、N4、N8	36.4	30.86			
J30J-66TJN、N4、N8	42.9	37.3			
J30J-74TJN、N4、N8	38.8	33.5			
J30J-100TJN、N4、N8	54.7	45.7			
J30J-144TJN、N4、N8	66.6	58.6			

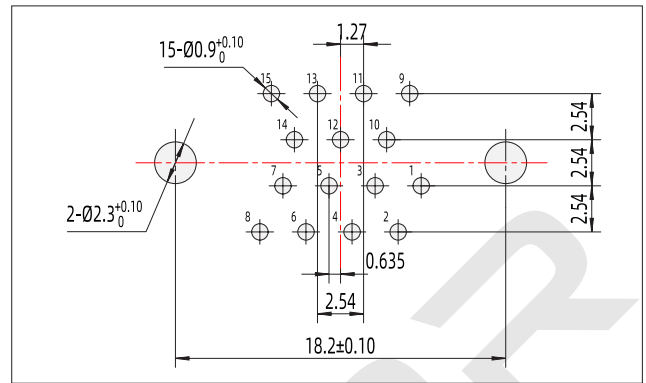
**J30J-TJNx PCB Cutout Dimensions**

Types N, N4 and N8 feature extended pin lengths only; the PCB cutout dimensions is same

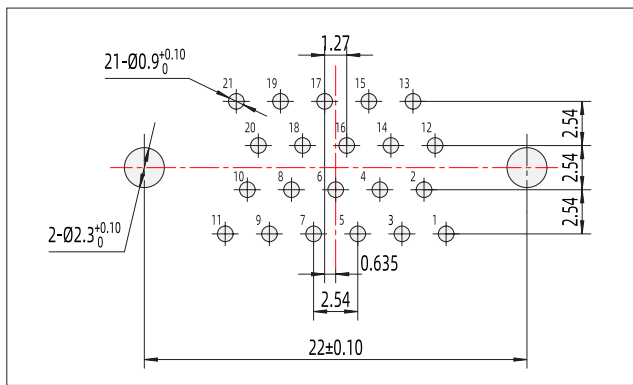
*Connector-to-PCB Orientation View*



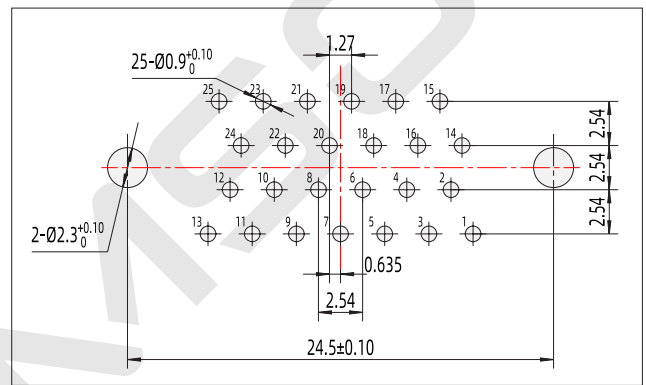
**J30J-9TJN**



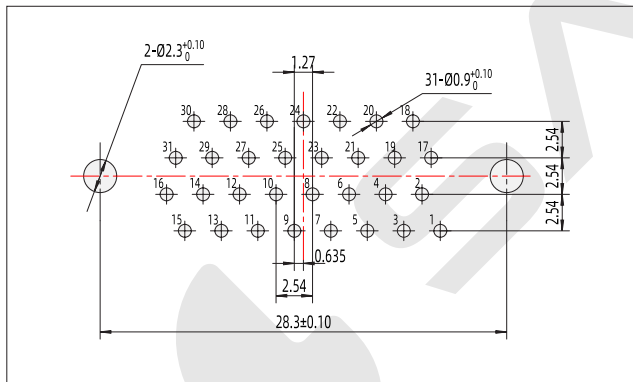
**J30J-15TJN**



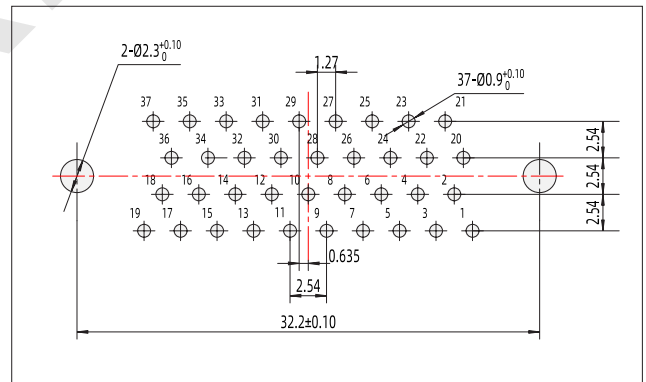
**J30J-21TJN**



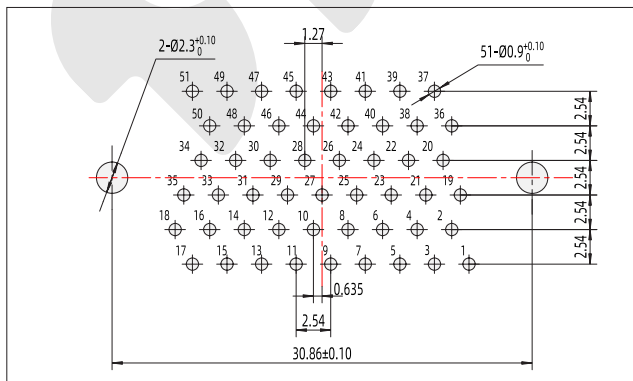
**J30J-25TJN**



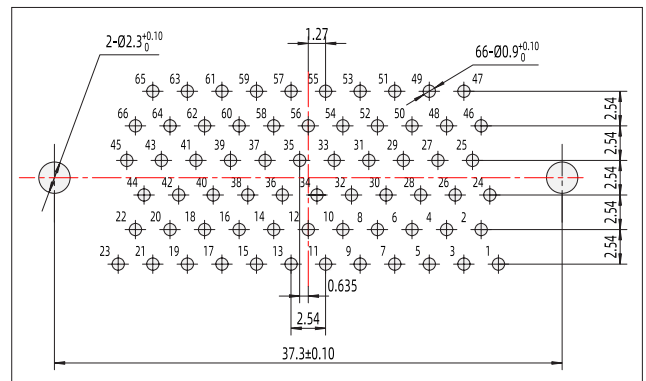
**J30J-31TJN**



**J30J-37TJN**



**J30J-51TJN**

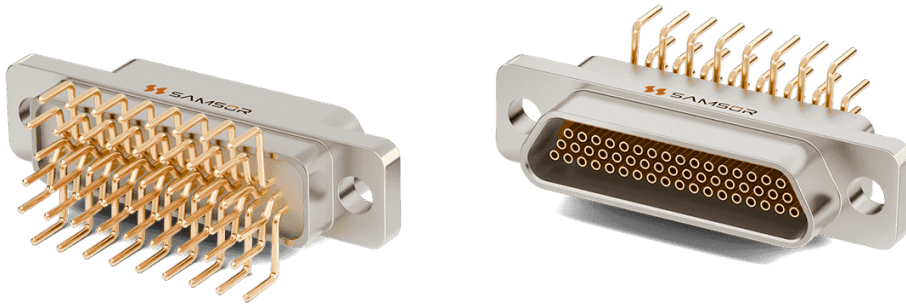


**J30J-66TJN**



**PCB Receptacle-Vertical J30J-ZKNx**

J30J	-	51	Z	K	N	P5
------	---	----	---	---	---	----



Series: J30J

Contact Layout: 9, 15, 21, 25, 31, 37, 51, 66, 74, 100, 144

Plug/Receptacle Type: Z - Receptacle

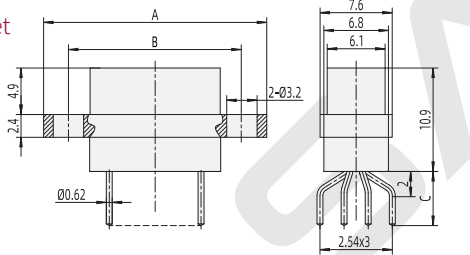
Contact Type: K - Socket Contact

Termination Style: N - Vertical PCB, Multiple pin lengths are available, distinguished by the code "N+number"

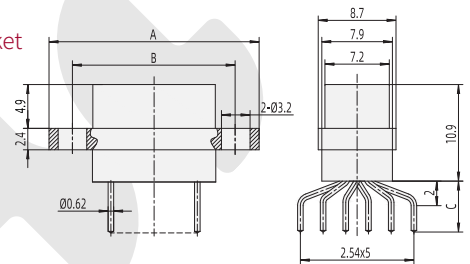
Hardware Type: P5 - type. For other types, refer to the "J30J Series hardware" section



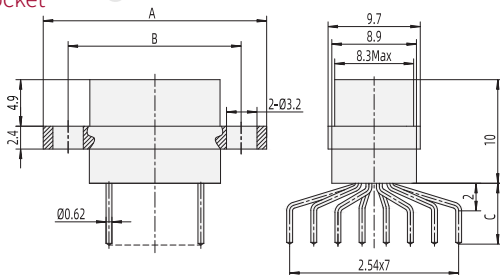
9~37 Socket



51~66 Socket



74~144 Socket



The termination is a Vertical Mount Printed Circuit Board, with a grid of 2.54mmx2.54mm, available in N, N3, and N4. Refer to the table below for detailed dimensions

Type	A	B	C		
			N	N3	N4
J30J-9ZKN, N3, N4	19.6	14.3	5.7	6.7	7.2
J30J-15ZKN, N3, N4	23.5	18.2			
J30J-21ZKN, N3, N4	27.4	22			
J30J-25ZKN, N3, N4	29.8	24.5			
J30J-31ZKN, N3, N4	33.6	28.3			
J30J-37ZKN, N3, N4	37.4	32.2			
J30J-51ZKN, N3, N4	36.4	30.86			
J30J-66ZKN, N3, N4	42.9	37.3			
J30J-74ZKN, N3, N4	38.8	33.5			
J30J-100ZKN, N3, N4	54.7	45.7			
J30J-144ZKN, N3, N4	66.6	58.6			

**J30J Series**

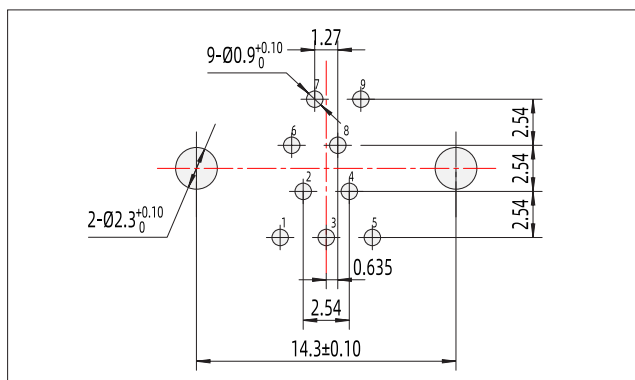
Jan 2025, V1.0

Please visit the official website to download 3D models: [www.samsor.com](http://www.samsor.com)

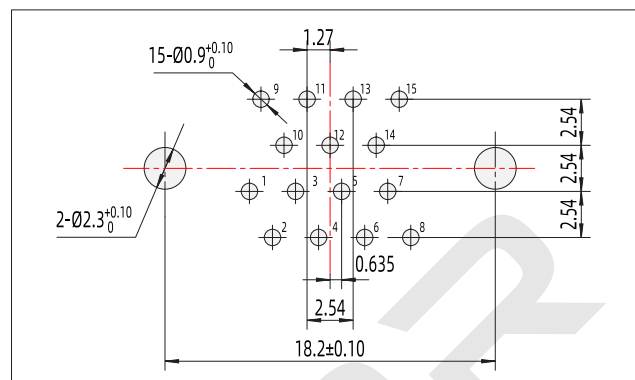
### J30J-ZKNx PCB Cutout Dimensions

Types N, N3, and N4 feature extended pin lengths only; the PCB cutout dimensions is same

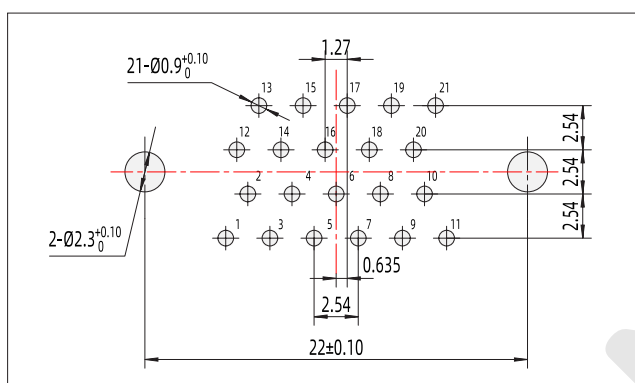
Connector-to-PCB Orientation View



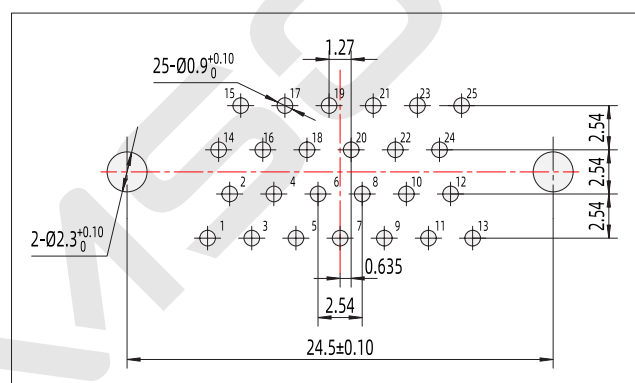
J30J-9ZKN



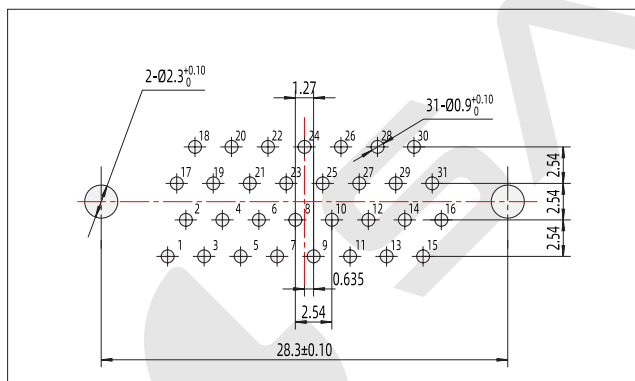
J30J-15ZKN



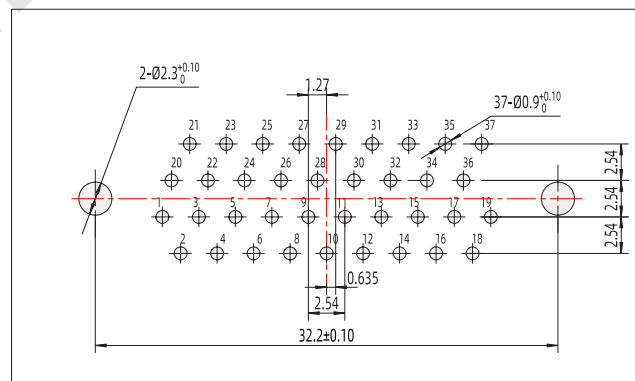
J30J-21ZKN



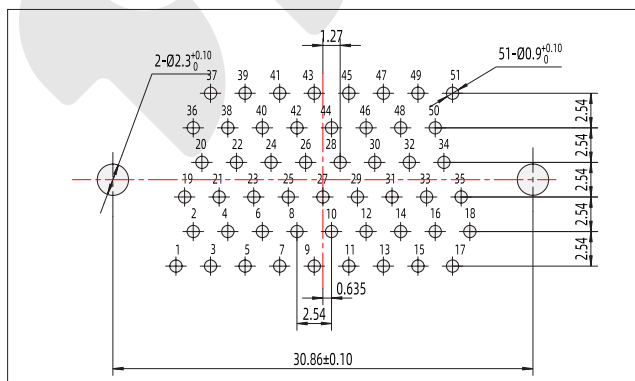
J30J-25ZKN



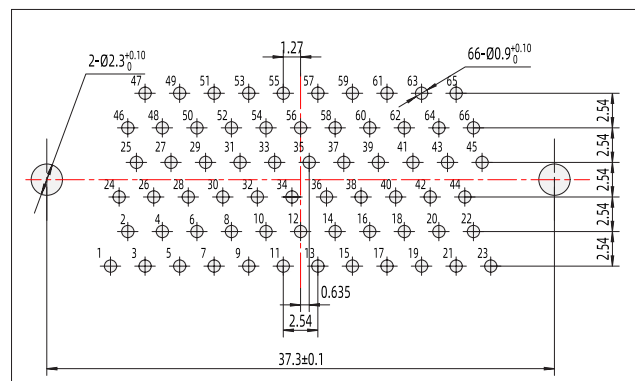
J30J-31ZKN



J30J-37ZKN



J30J-51ZKN

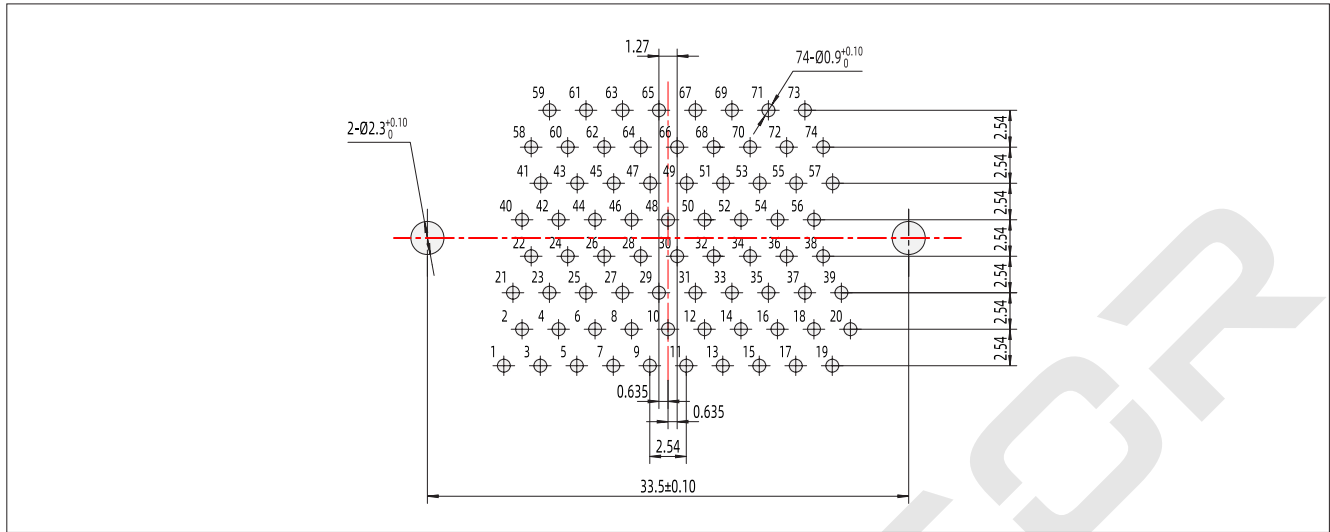


J30J-66ZKN

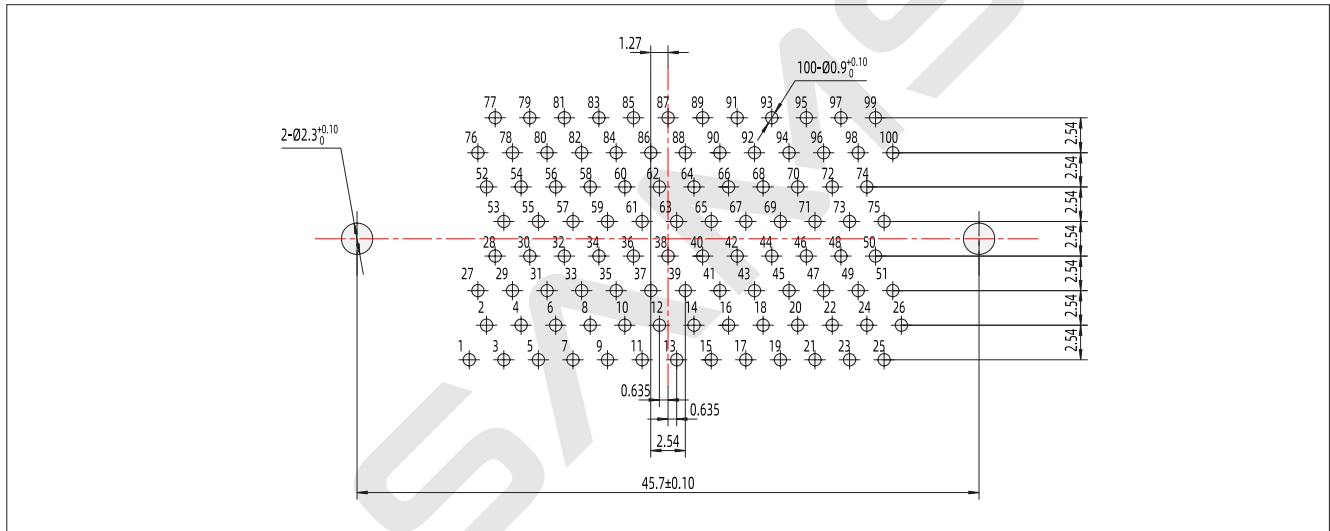
**J30J-ZKNx PCB Cutout Dimensions**

Types N, N3, and N4 feature extended pin lengths only; the PCB cutout dimensions is same

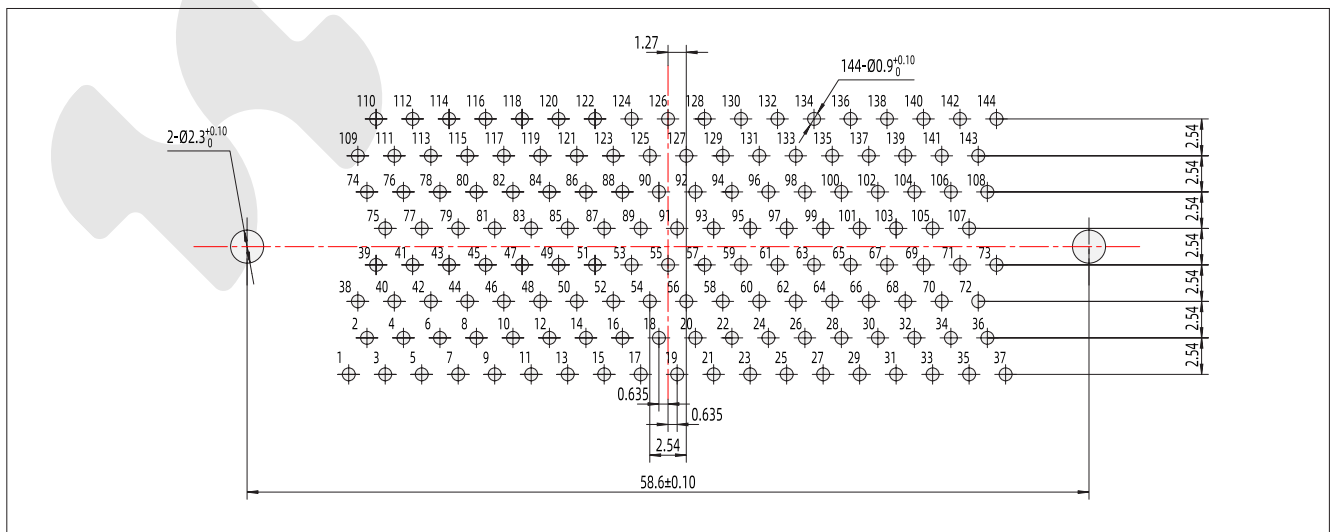
*Connector-to-PCB Orientation View*



**J30J-74ZKN**



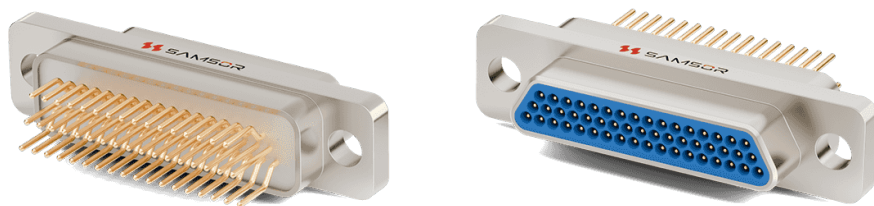
**J30J-100ZKN**



**J30J-144ZKN**

## PCB Plug-Vertical J30J-TJNx-J

J30J - 51 T J N P5 - J



**Series:** J30J

**Contact Layout:** 9, 15, 21, 25, 31, 37, 51, 66, 74, 100, 144

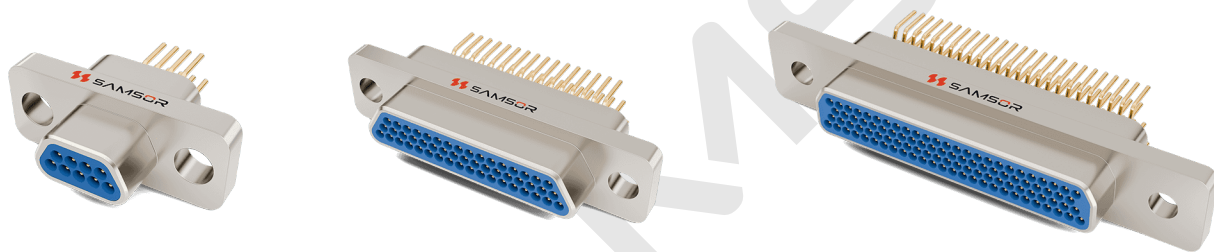
**Plug/Receptacle Type:** T - Plug

**Contact Type:** J - Pin Contact

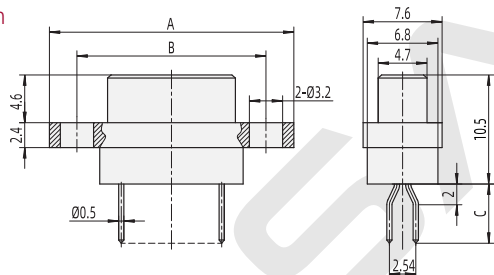
**Termination Style:** N - Vertical PCB, Multiple pin lengths are available, distinguished by the code "N+number"

**Hardware Type:** P5 - type. For other types, refer to the "J30J Series hardware" section

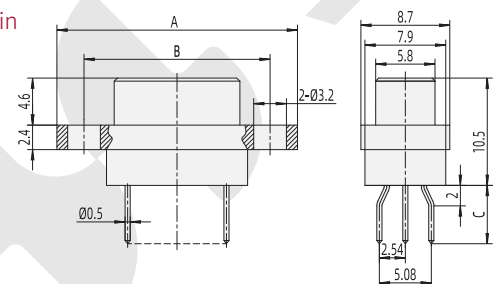
**Modified Style:** Type J, grid pitch 1.27 mm × 2.54 mm



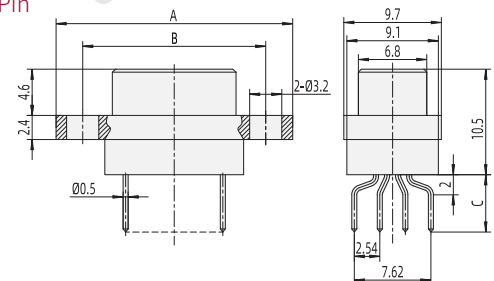
9~37 Pin



51~66 Pin



74~144 Pin



The termination is a Vertical Printed Circuit Board, with a grid of 1.27mmx2.54mm

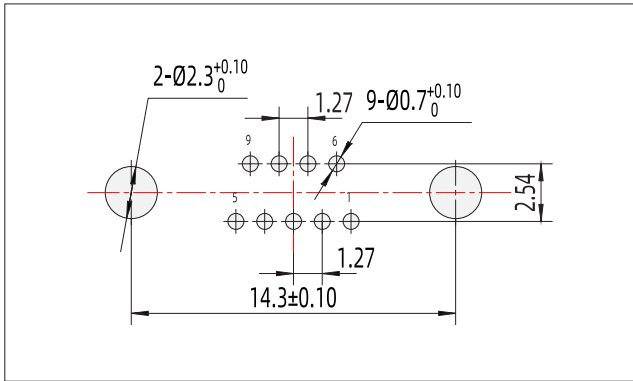
N-Pin length 5.7mm      N3-Pin length 6.7mm  
 N4-Pin length 7.2mm      N8-Pin length 8mm

Type	A	B	C			
			N	N3	N4	N8
J30J-9TJN, N3, N4, N8-J	19.6	14.3				
J30J-15TJN, N3, N4, N8-J	23.5	18.2				
J30J-21TJN, N3, N4, N8-J	27.4	22				
J30J-25TJN, N3, N4, N8-J	29.8	24.5				
J30J-31TJN, N3, N4, N8-J	33.6	28.3				
J30J-37TJN, N3, N4, N8-J	37.4	32.2	5.7	6.7	7.2	8
J30J-51TJN, N3, N4, N8-J	36.4	30.86				
J30J-66TJN, N3, N4, N8-J	42.9	37.3				
J30J-74TJN, N3, N4, N8-J	38.8	33.5				
J30J-100TJN, N3, N4, N8-J	54.7	45.7				
J30J-144TJN, N3, N4, N8-J	66.6	58.6				

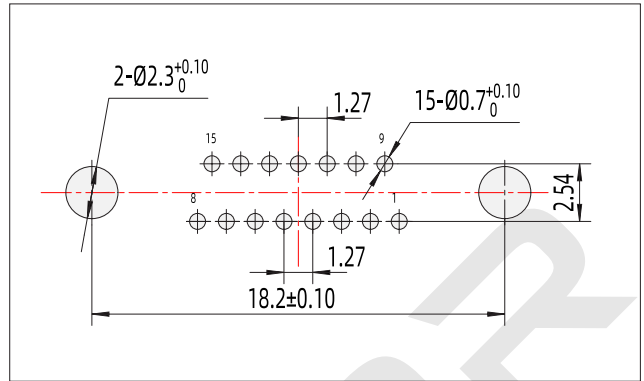
**J30J-TJNx-J PCB Cutout Dimensions**

Types N, N3, N4 and N8 feature extended pin lengths only; the PCB cutout dimensions is same

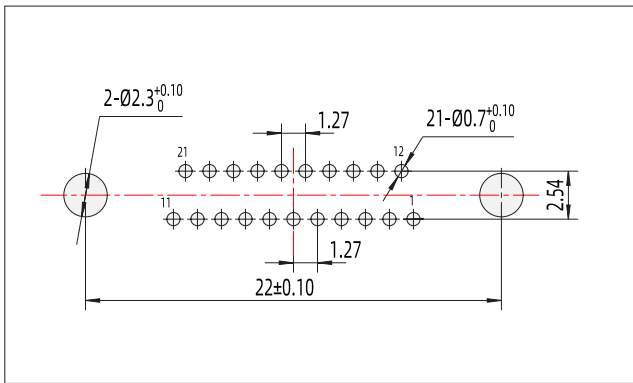
*Connector-to-PCB Orientation View*



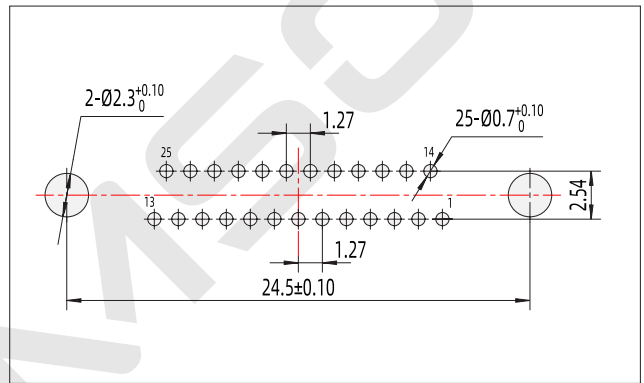
**J30J-9TJN-J**



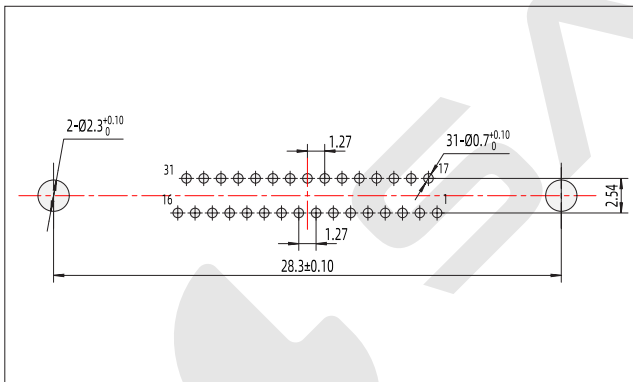
**J30J-15TJN-J**



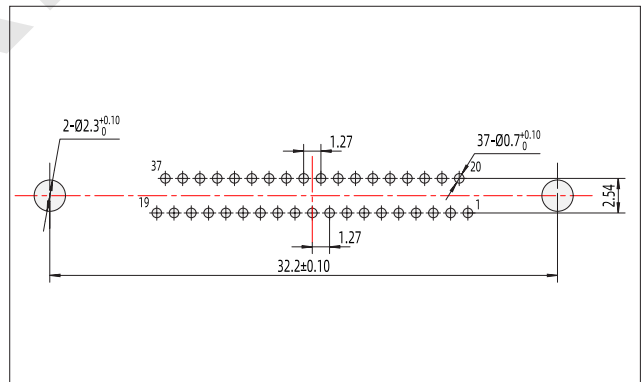
**J30J-21TJN-J**



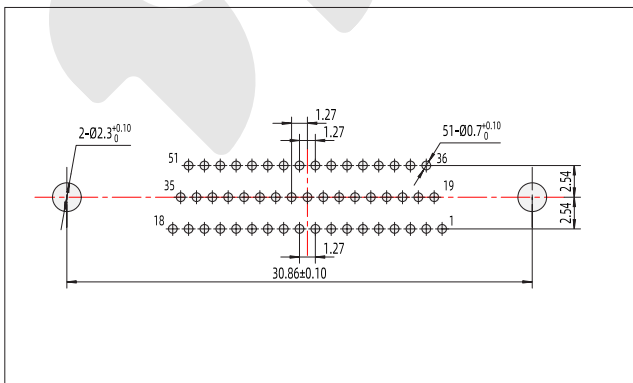
**J30J-25TJN-J**



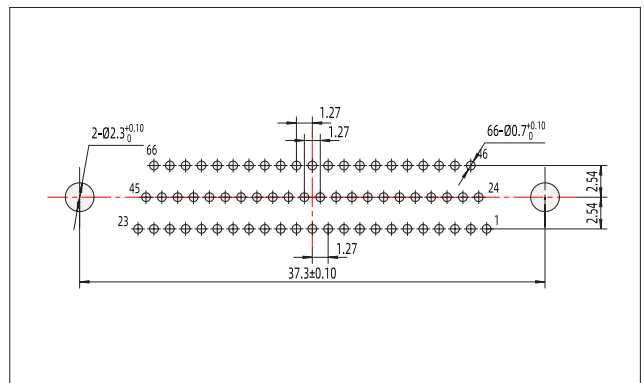
**J30J-31TJN-J**



**J30J-37TJN-J**



**J30J-51TJN-J**

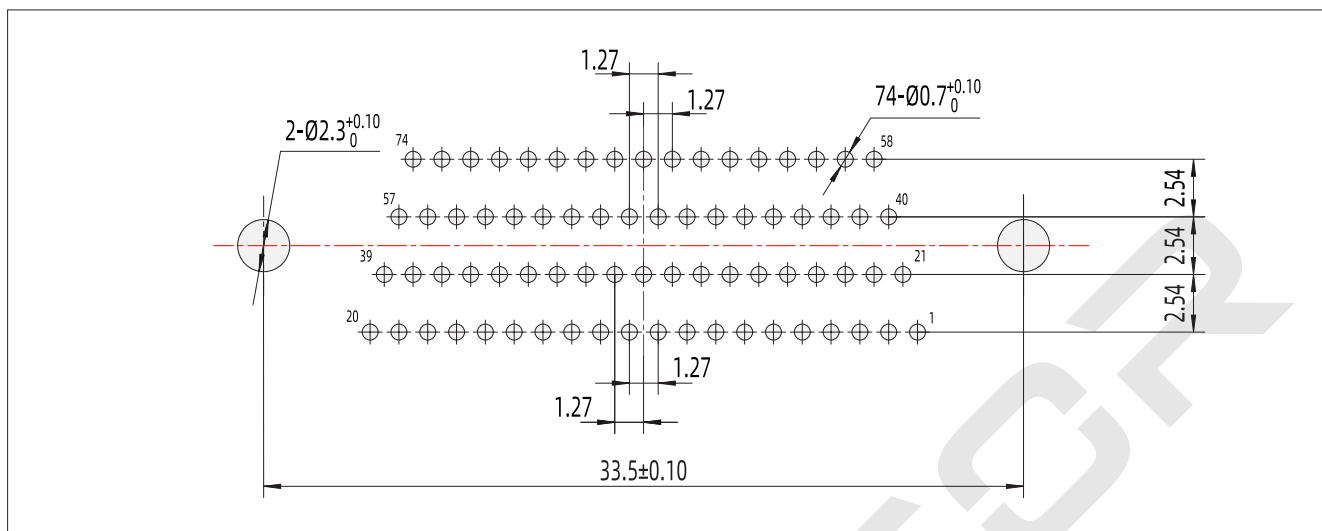


**J30J-66TJN-J**

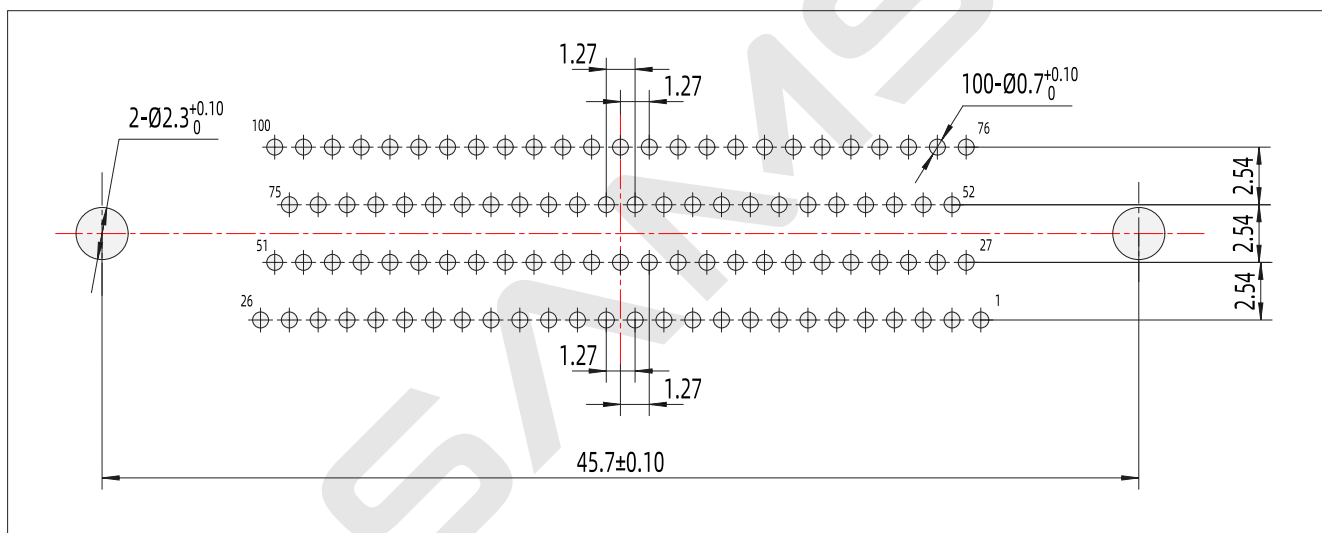
**J30J-TJNx-J PCB Cutout Dimensions**

Types N, N3, N4 and N8 feature extended pin lengths only; the PCB cutout dimensions is same

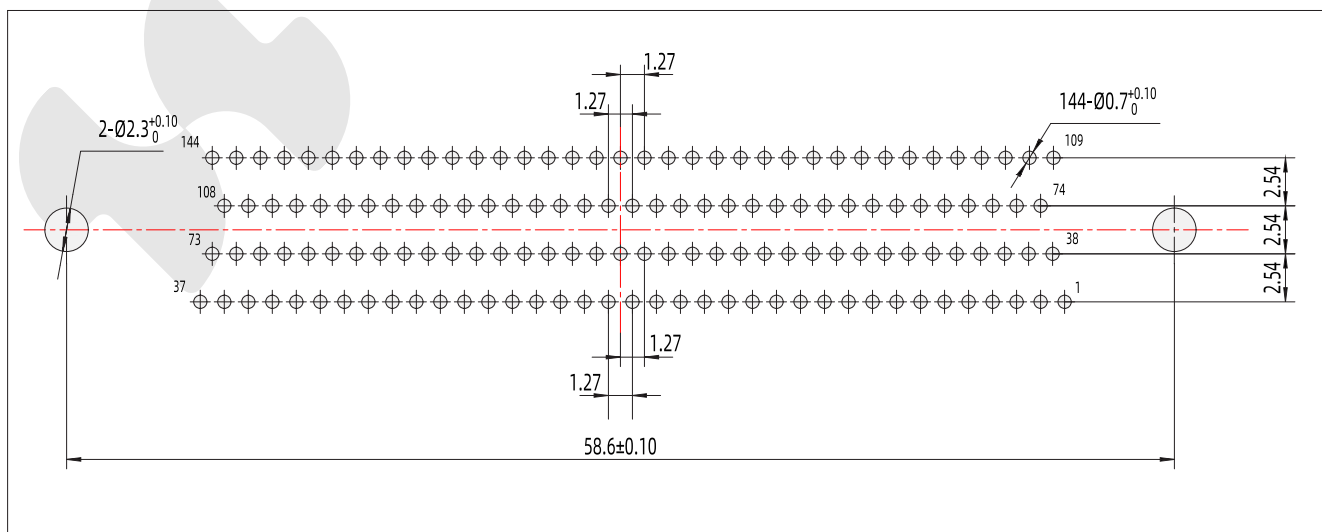
Connector-to-PCB Orientation View



**J30J-74TJN-J**



**J30J-100TJN-J**



**J30J-144TJN-J**

**PCB Receptacle-Vertical J30J-ZKNx-J**

J30J	-	51	Z	K	N	P5	-	J
------	---	----	---	---	---	----	---	---



Series: J30J

Contact Layout: 9、15、21、25、31、37、51、66、74、100、144

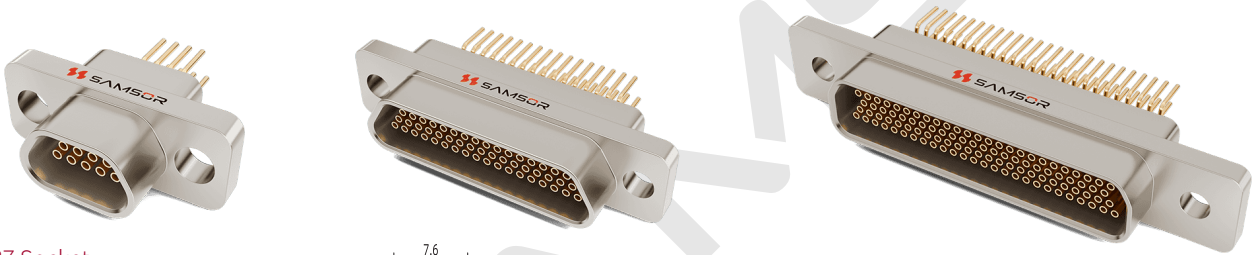
Plug/Receptacle Type: Z - Receptacle

Contact Type: K - Socket Contact

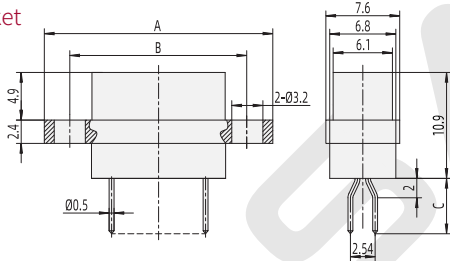
Termination Style: N - Vertical PCB, Multiple pin lengths are available, distinguished by the code "N+number"

Hardware Type: P5 - type. For other types, refer to the "J30J Series hardware" section

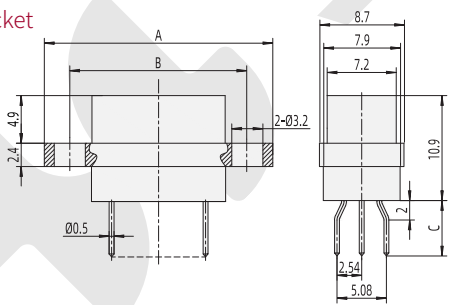
Modified Style: Type J, grid pitch 1.27 mm × 2.54 mm



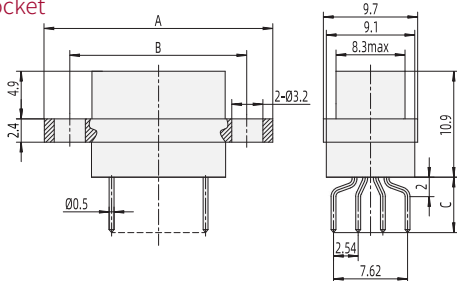
9~37 Socket



51~66 Socket



74~144 Socket



- The termination is a Vertical Printed Circuit Board, with a grid of 1.27mmx2.54mm
- N-Pin length 5.7mm                      N3-Pin length 6.7mm
- N4-Pin length 7.2mm                      N8-Pin length 8mm

Type	A	B	C			
			N	N3	N4	N8
J30J-9ZKN、N3、N4、N8-J	19.6	14.3				
J30J-15ZKN、N3、N4、N8-J	23.5	18.2				
J30J-21ZKN、N3、N4、N8-J	27.4	22				
J30J-25ZKN、N3、N4、N8-J	29.8	24.5				
J30J-31ZKN、N3、N4、N8-J	33.6	28.3				
J30J-37ZKN、N3、N4、N8-J	37.4	32.2	5.7	6.7	7.2	8
J30J-51ZKN、N3、N4、N8-J	36.4	30.86				
J30J-66ZKN、N3、N4、N8-J	42.9	37.3				
J30J-74ZKN、N3、N4、N8-J	38.8	33.5				
J30J-100ZKN、N3、N4、N8-J	54.7	45.7				
J30J-144ZKN、N3、N4、N8-J	66.6	58.6				

**J30J Series**

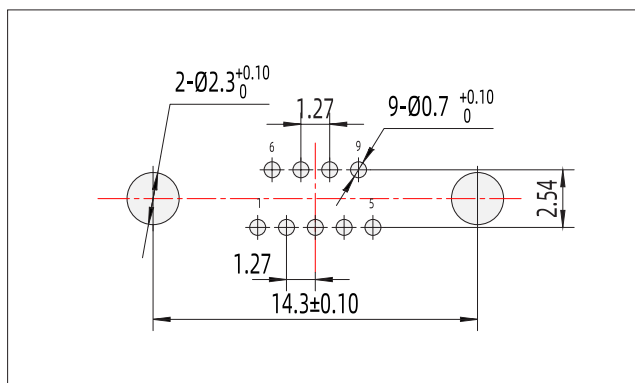
Jan 2025, V1.0

Please visit the official website to download 3D models: [www.samsor.com](http://www.samsor.com)

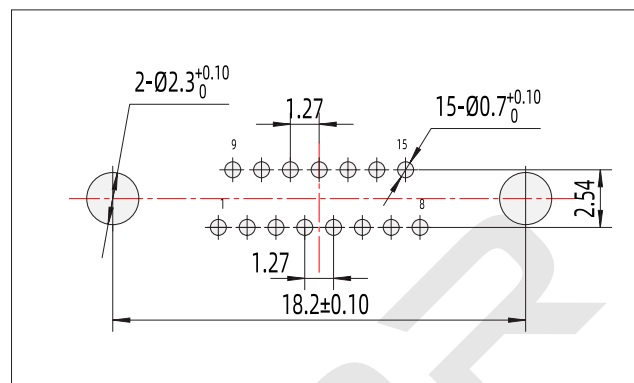
### J30J-ZKNx-J PCB Cutout Dimensions

Types N, N3, N4 and N8 feature extended pin lengths only; the PCB cutout dimensions is same

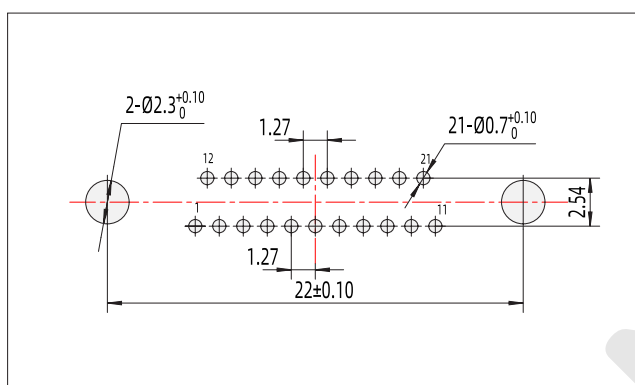
Connector-to-PCB Orientation View



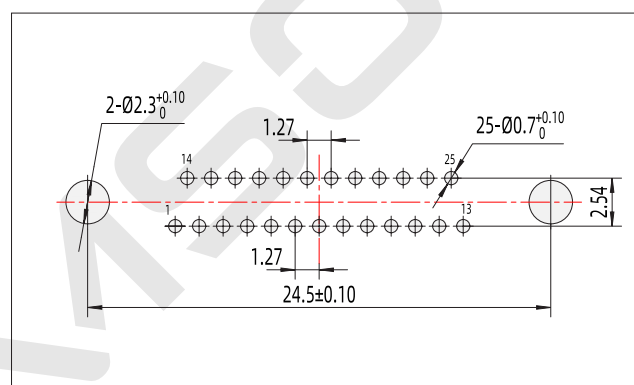
J30J-9ZKN-J



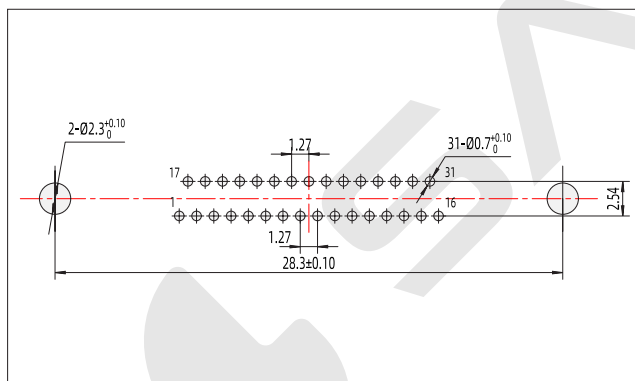
J30J-15ZKN-J



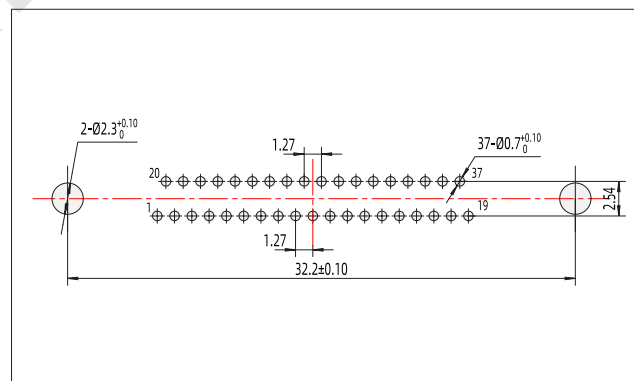
J30J-21ZKN-J



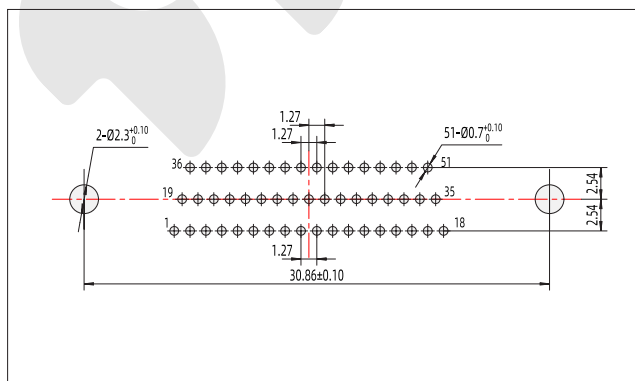
J30J-25ZKN-J



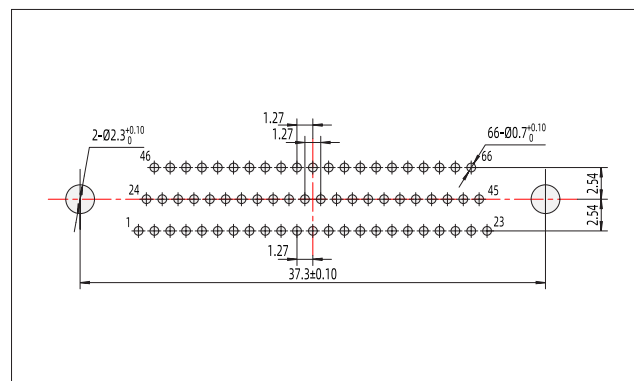
J30J-31ZKN-J



J30J-37ZKN-J



J30J-51ZKN-J

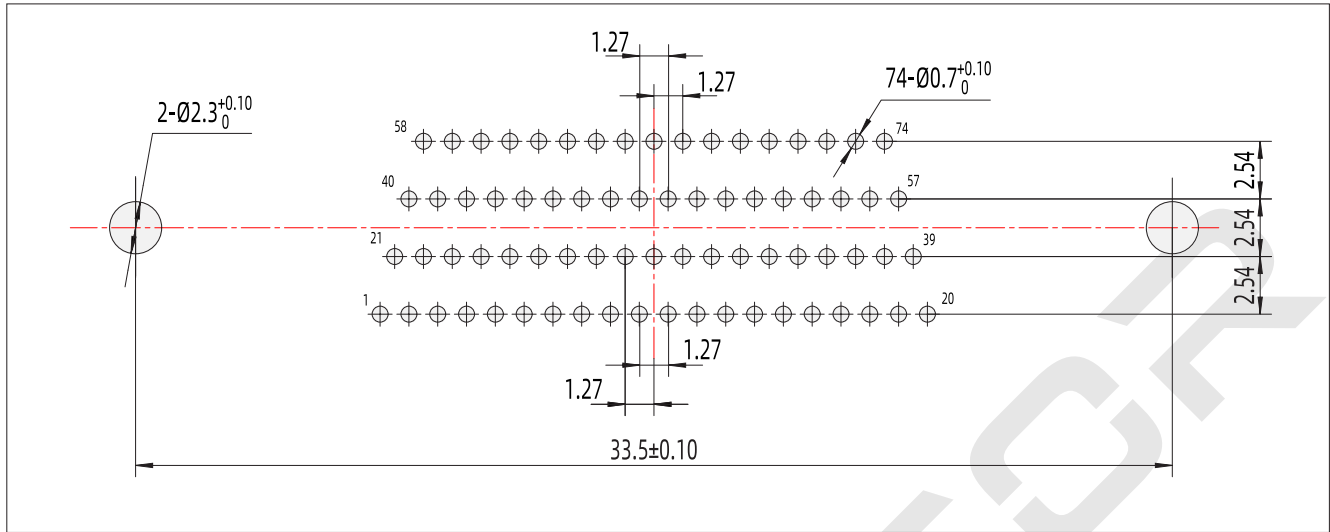


J30J-66ZKN-J

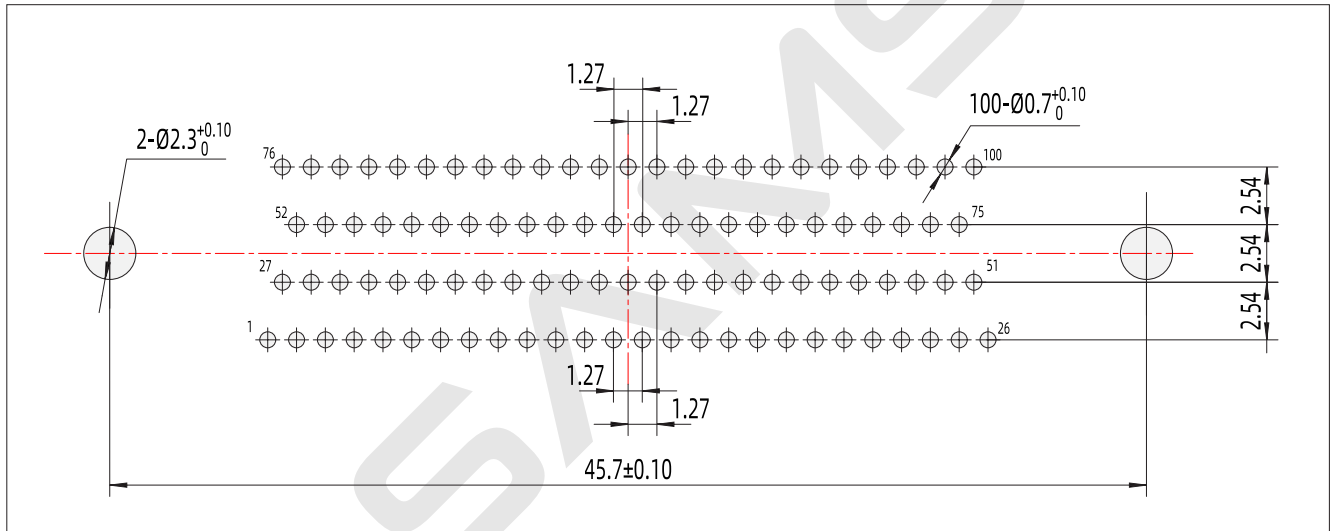
**J30J-ZKNx-J PCB Cutout Dimensions**

Types N, N3, N4 and N8 feature extended pin lengths only; the PCB cutout dimensions is same

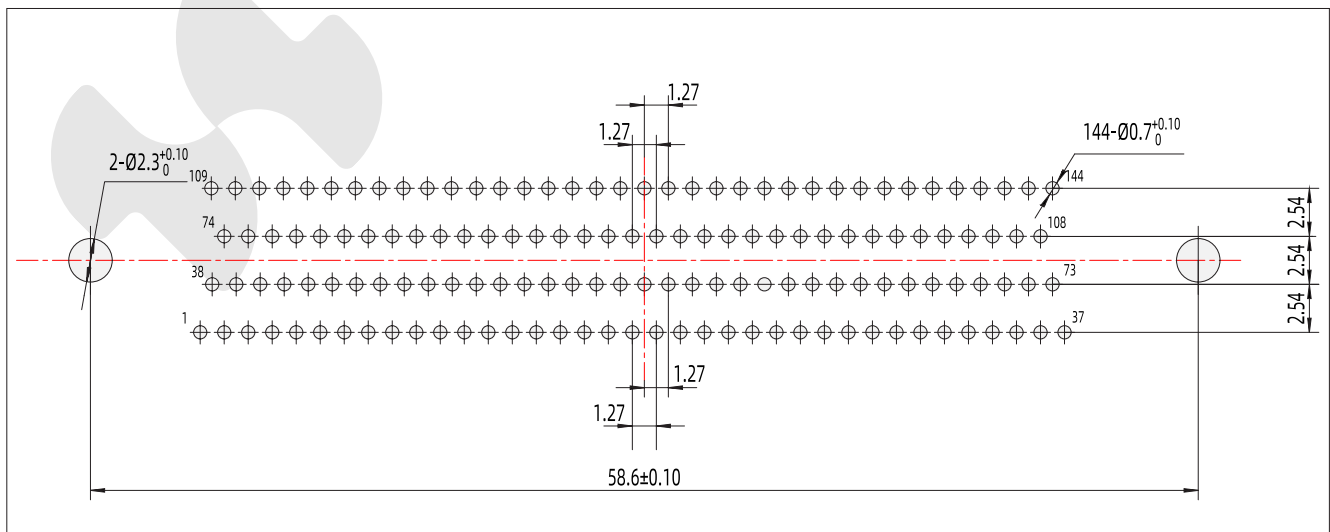
Connector-to-PCB Orientation View



**J30J-74ZKN-J**



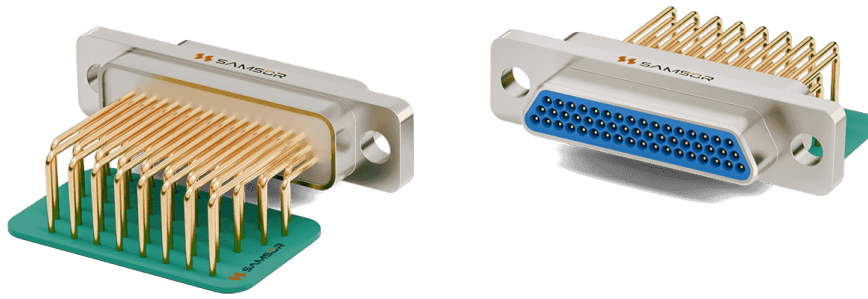
**J30J-100ZKN-J**



**J30J-144ZKN-J**

## PCB Plug-Right Angle J30J-TJW

J30J	-	51	T	J	W	P7
------	---	----	---	---	---	----



**Series:** J30J

**Contact Layout:** 9、15、21、25、31、37、51、66、74、100、144

**Plug/Receptacle Type:** T - Plug

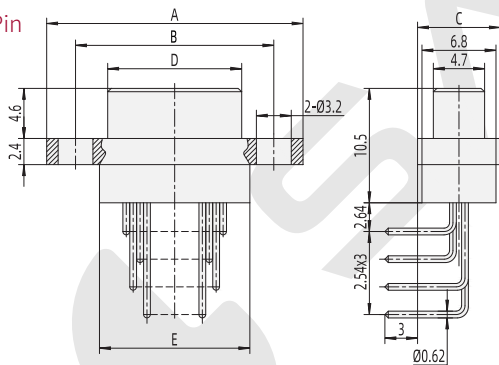
**Contact Type:** J - Pin Contact

**Termination Style:** W - Right Angle PCB

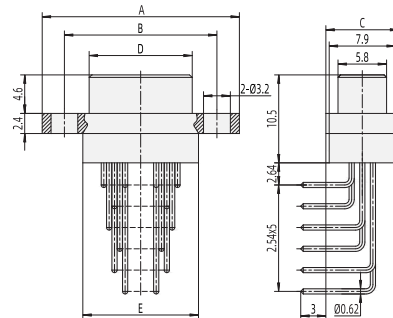
**Hardware Type:** P7 - type. For other types, refer to the "J30J Series hardware" section



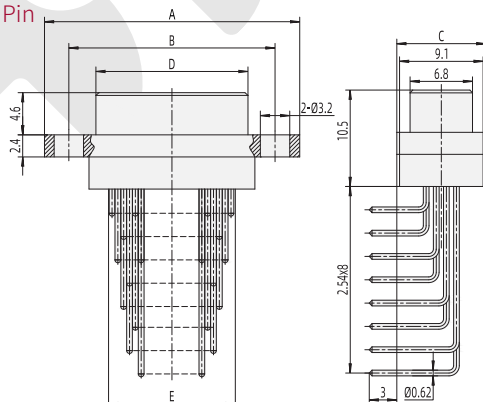
9~37 Pin



51~66 Pin



74~144 Pin

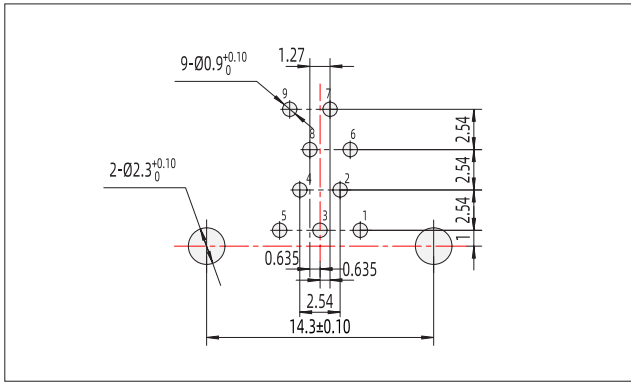


The termination is a Right-Angle Mount Printed Circuit Board, with a grid of 2.54mmx2.54mm

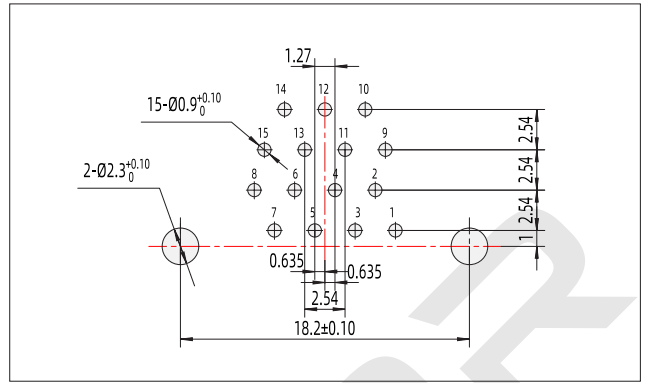
Type	A	B	C	D	E
J30J-9TJW	19.6	14.3	7.6	8.3	9.9
J30J-15TJW	23.5	18.2	7.6	12.3	13.8
J30J-21TJW	27.4	22	7.6	16	17.6
J30J-25TJW	29.8	24.5	7.6	18.6	20.2
J30J-31TJW	33.6	28.3	7.6	22.4	24
J30J-37TJW	37.4	32.2	7.6	26.3	27.8
J30J-51TJW	36.4	30.86	8.7	25	26.6
J30J-66TJW	42.9	37.3	8.7	31.4	33
J30J-74TJW	38.8	33.5	9.7	27.5	29.1
J30J-100TJW	54.7	45.7	9.7	35	36.6
J30J-144TJW	66.6	58.6	9.7	49	50.6

**J30J-TJW PCB Cutout Dimensions**

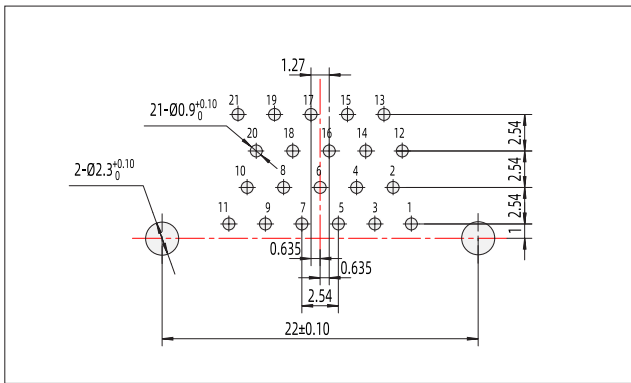
Connector-to-PCB Orientation View



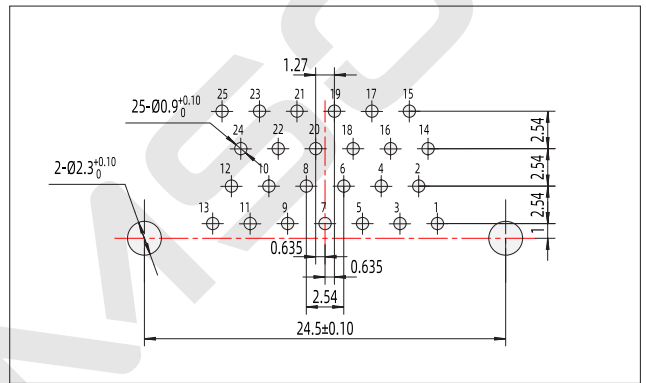
**J30J-9TJW**



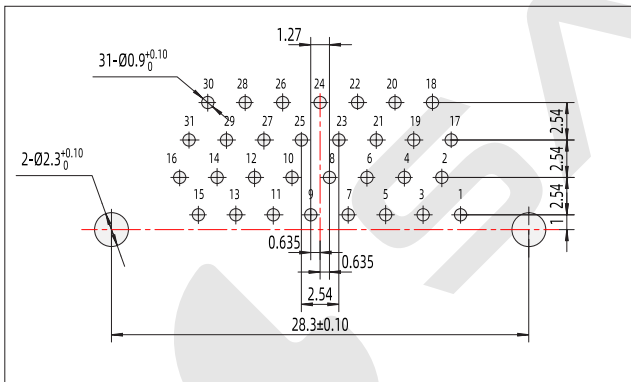
**J30J-15TJW**



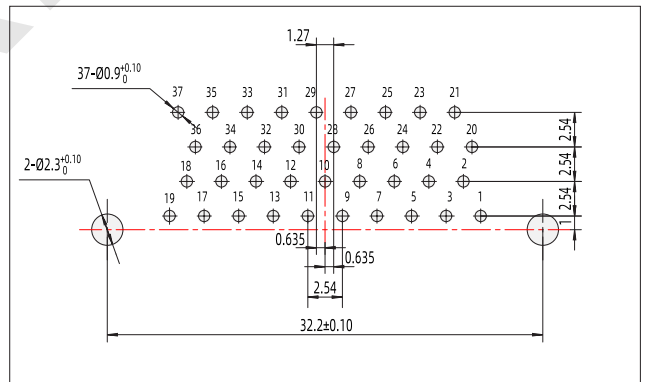
**J30J-21TJW**



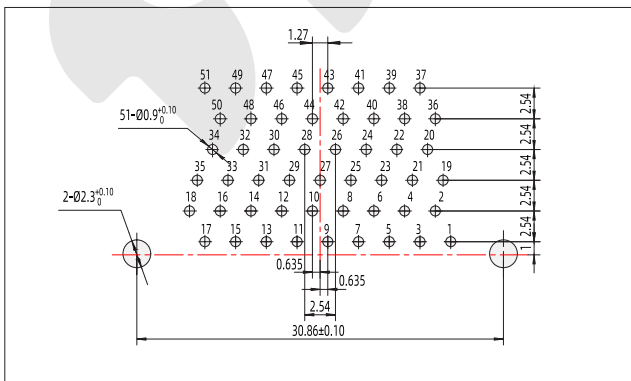
**J30J-25TJW**



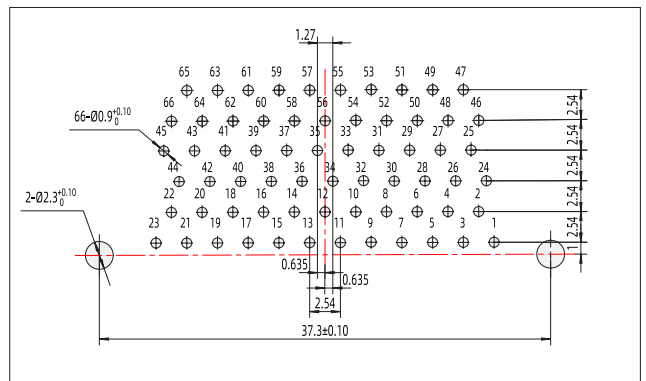
**J30J-31TJW**



**J30J-37TJW**



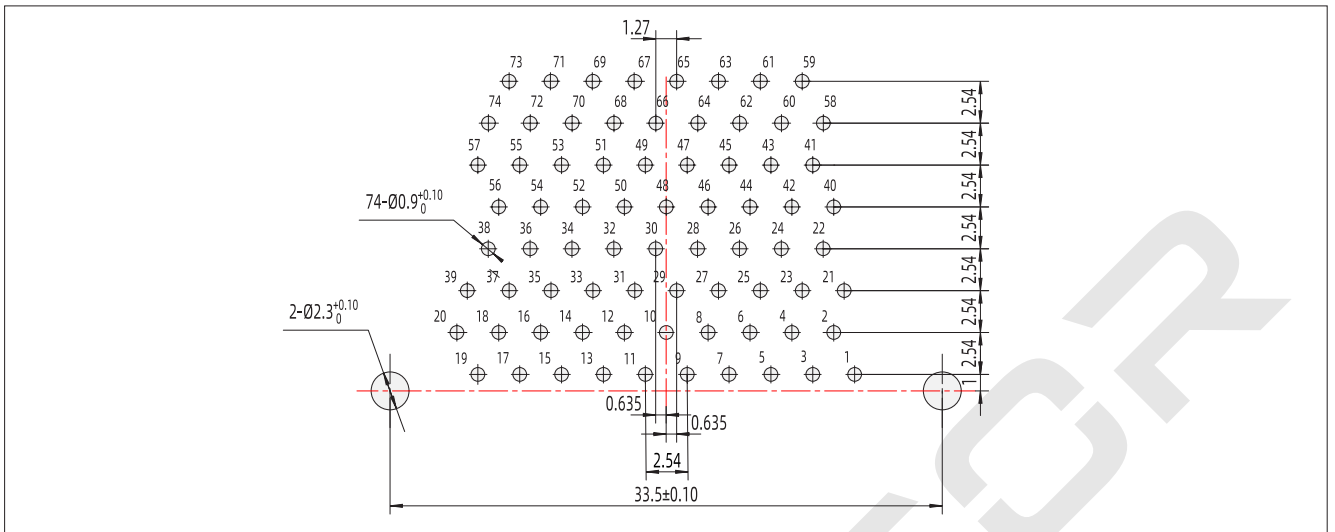
**J30J-51TJW**



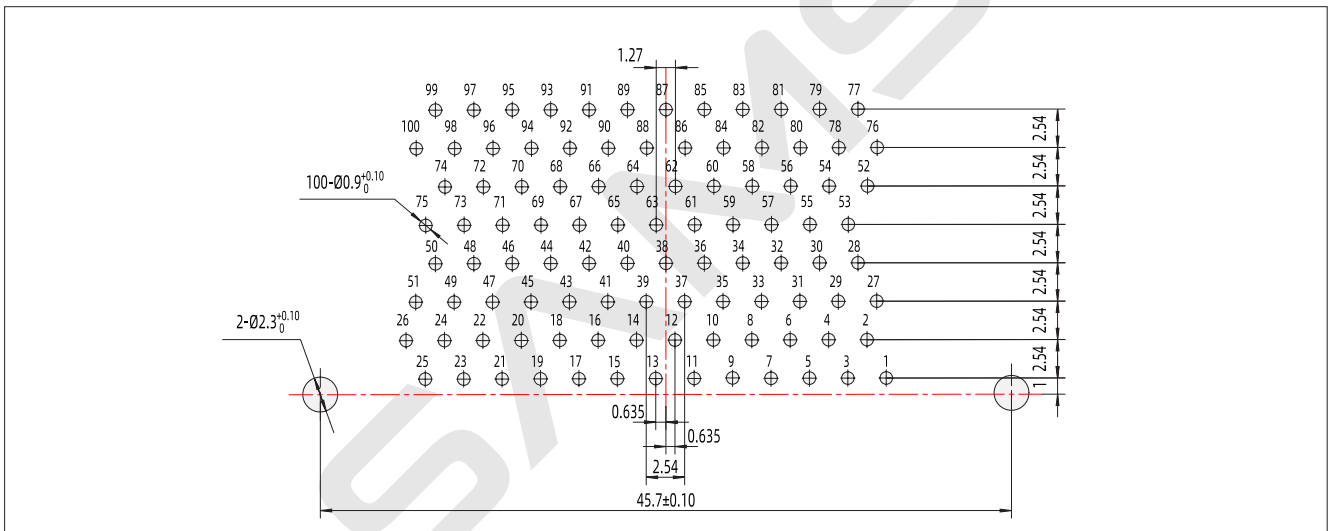
**J30J-66TJW**

## J30J-TJW PCB Cutout Dimensions

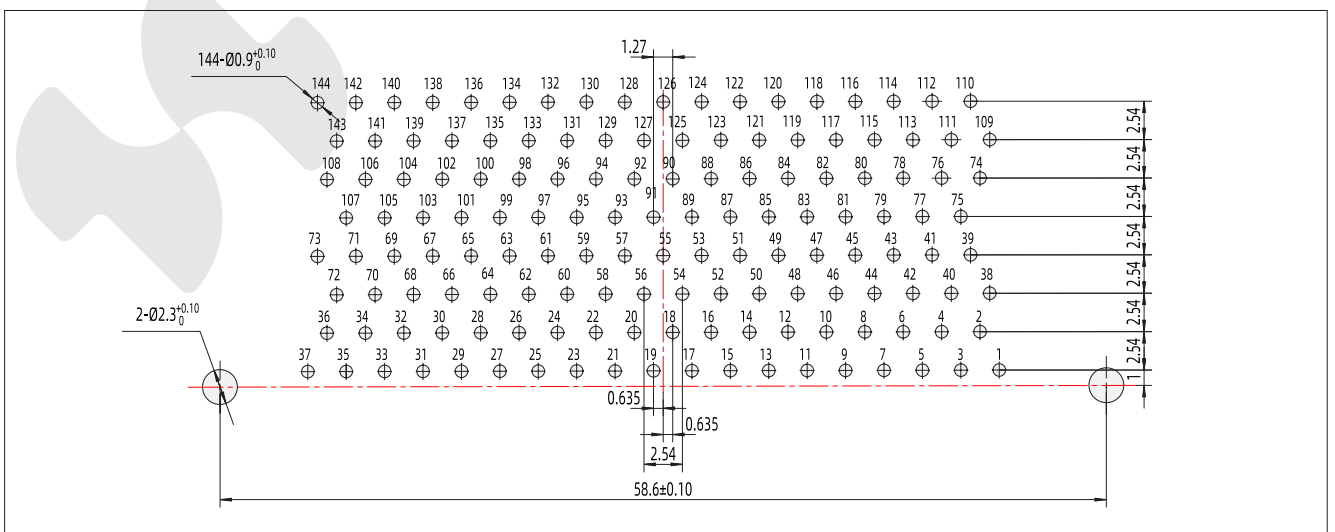
Connector-to-PCB Orientation View



J30J-74TJW



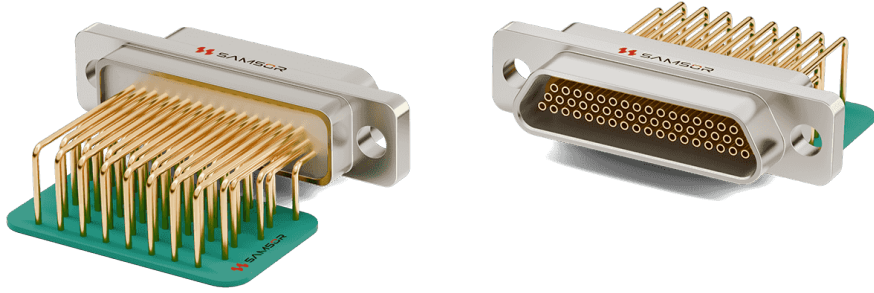
J30J-100TJW



J30J-144TJW

**PCB Receptacle-Right Angle J30J-ZKW**

J30J	-	51	Z	K	W	P7
------	---	----	---	---	---	----



Series: J30J

Contact Layout: 9, 15, 21, 25, 31, 37, 51, 66, 74, 100, 144

Plug/Receptacle Type: Z - Receptacle

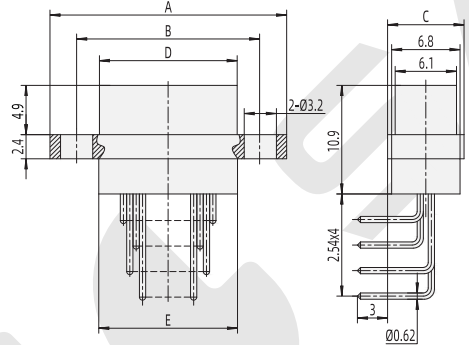
Contact Type: K - Socket Contact

Termination Style: W - Right Angle PCB

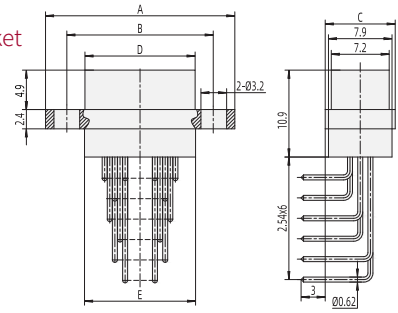
Hardware Type: P7 - type. For other types, refer to the "J30J Series hardware" section



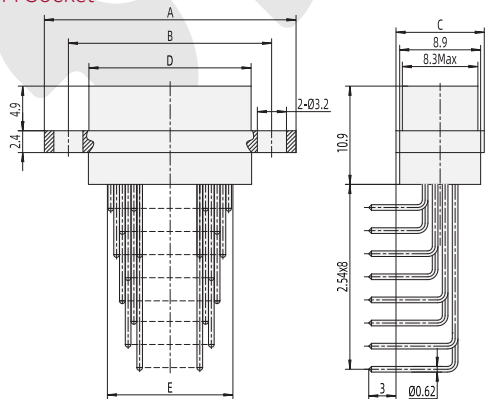
9~37 Socket



51~66 Socket



74~144 Socket

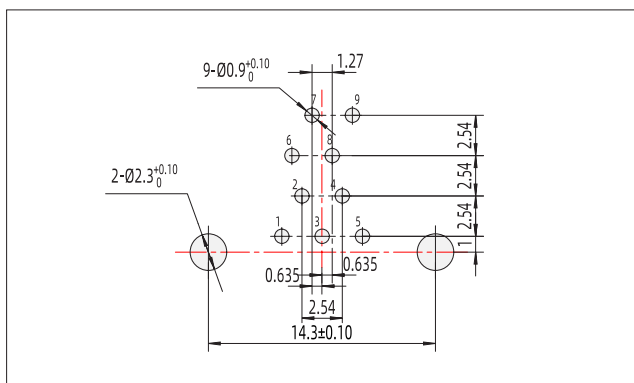


The termination is a Right-Angle Mount Printed Circuit Board, with a grid of 2.54mmx2.54mm

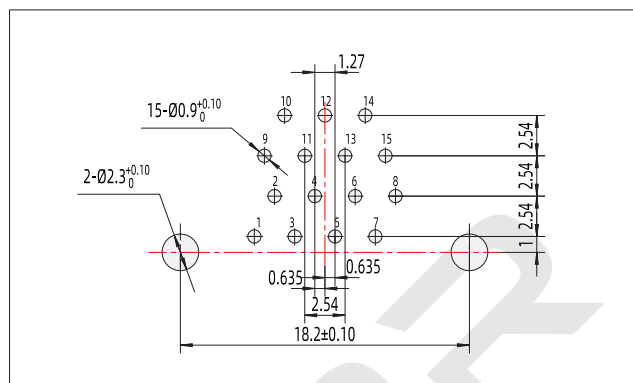
Type	A	B	C	D	E
J30J-9ZKW	19.6	14.3	7.6	9.8	9.9
J30J-15ZKW	23.5	18.2	7.6	13.7	13.8
J30J-21ZKW	27.4	22	7.6	17.4	17.6
J30J-25ZKW	29.8	24.5	7.6	20	20.2
J30J-31ZKW	33.6	28.3	7.6	23.8	24
J30J-37ZKW	37.4	32.2	7.6	27.7	27.8
J30J-51ZKW	36.4	30.86	8.7	26.5	26.6
J30J-66ZKW	42.9	37.3	8.7	32.9	33
J30J-74ZKW	38.8	33.5	9.7	29	29.1
J30J-100ZKW	54.7	45.7	9.7	36.6	36.65
J30J-144ZKW	66.6	58.6	9.7	50.6	50.6

## J30J-ZKW PCB Cutout Dimensions

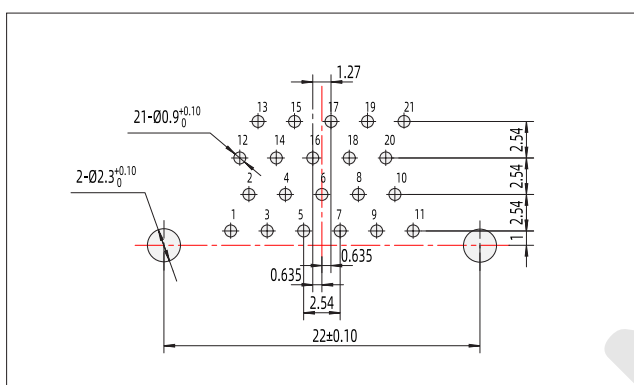
### Connector-to-PCB Orientation View



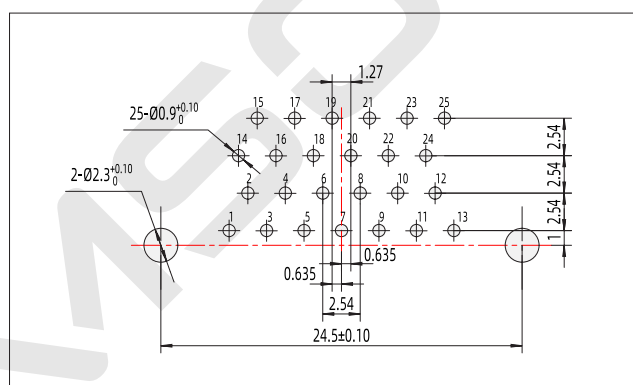
**J30J-9ZKW**



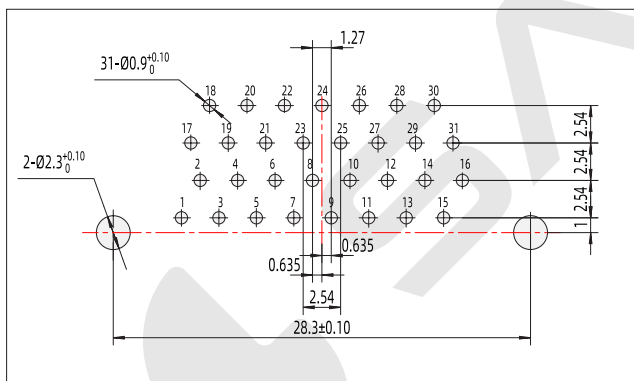
**J30J-15ZKW**



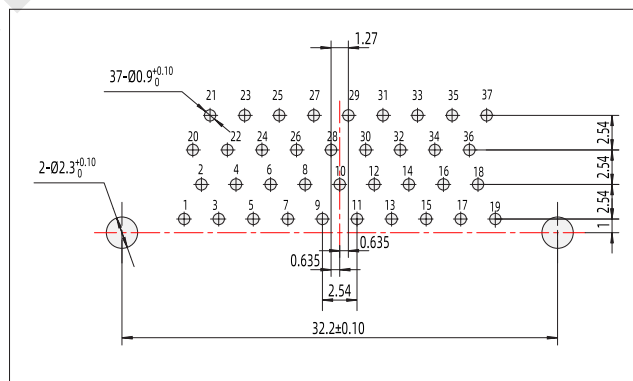
**J30J-21ZKW**



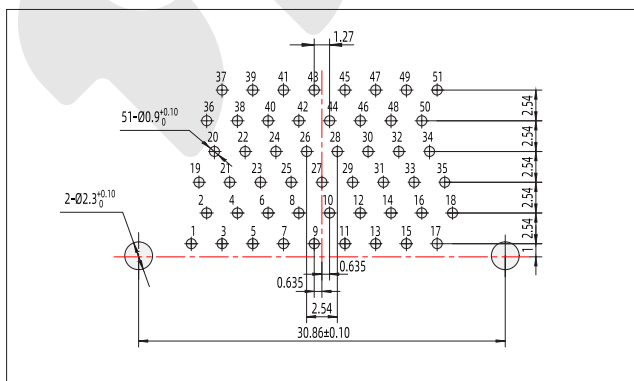
**J30J-25ZKW**



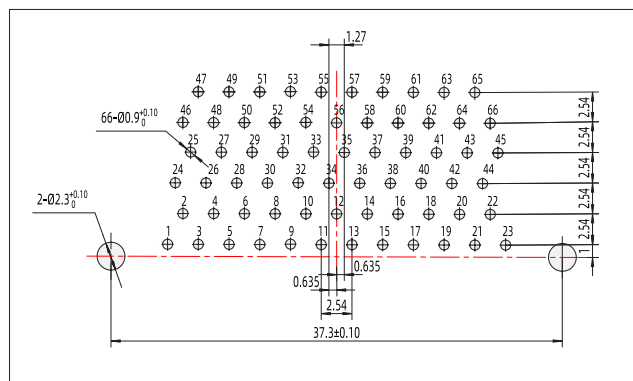
**J30J-31ZKW**



**J30J-37ZKW**



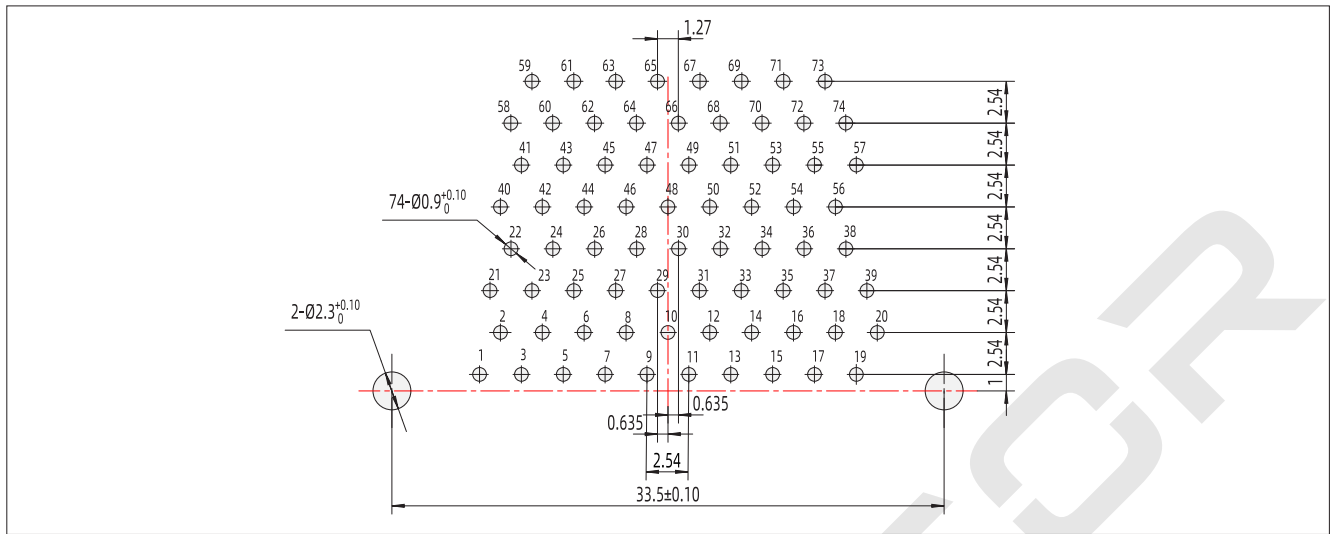
**J30J-51ZKW**



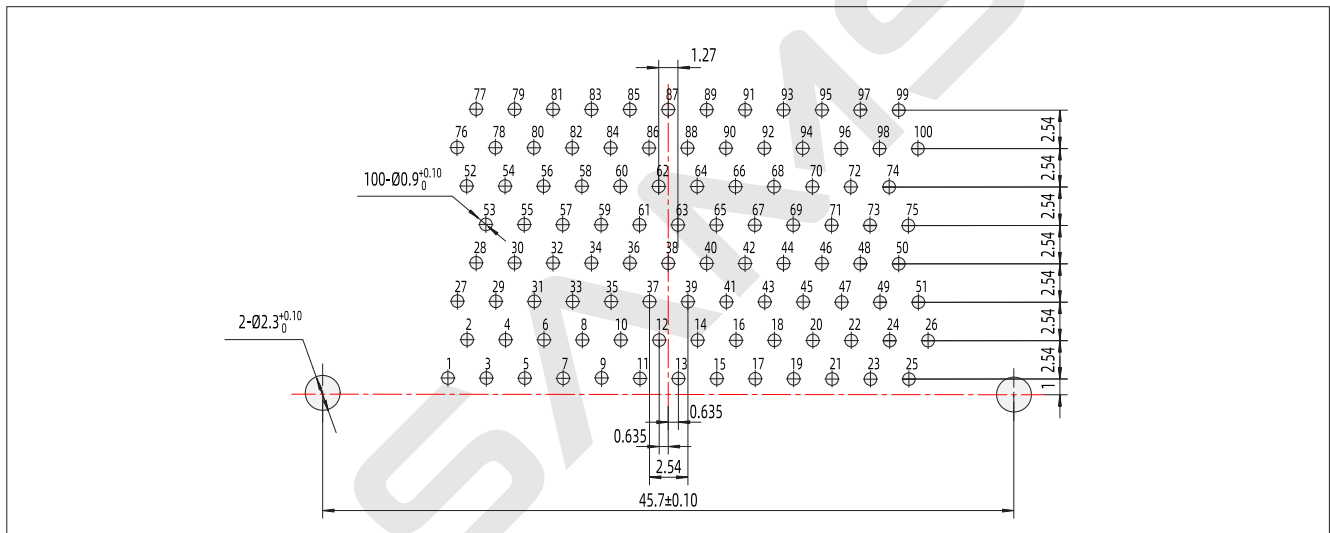
**J30J-66ZKW**

**J30J-ZKW PCB Cutout Dimensions**

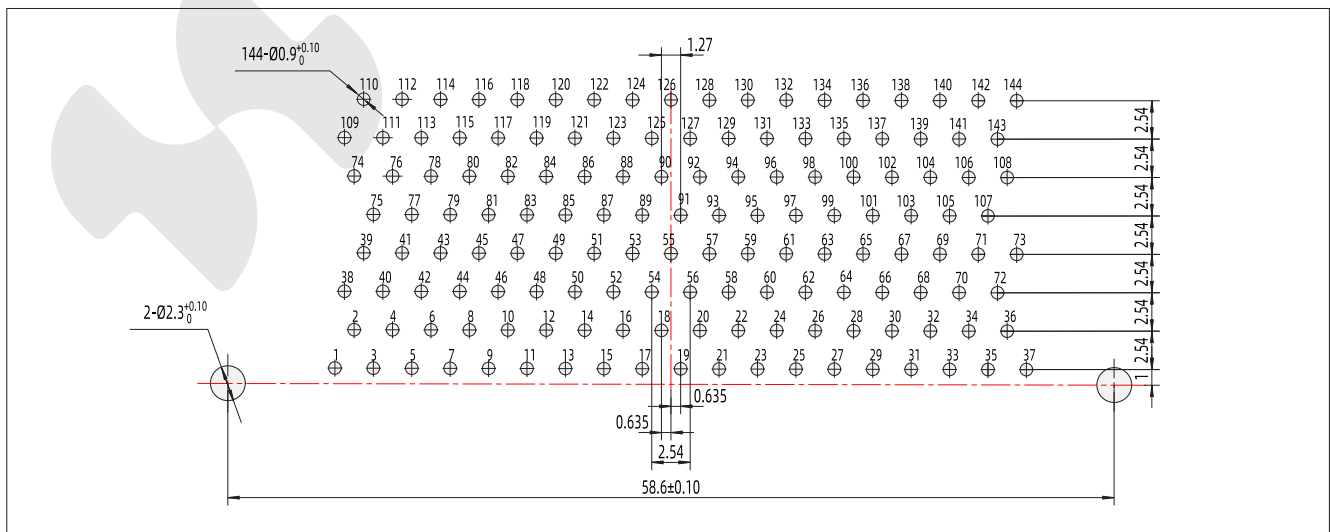
Connector-to-PCB Orientation View



**J30J-74ZKW**



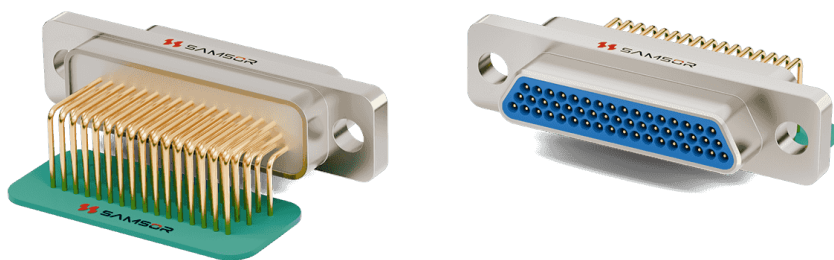
**J30J-100ZKW**



**J30J-144ZKW**

## PCB Plug-Right Angle J30J-TJW-J

J30J - 51 T J W P7 - J



Series: J30J

Contact Layout: 9、15、21、25、31、37、51、66、74、100、144

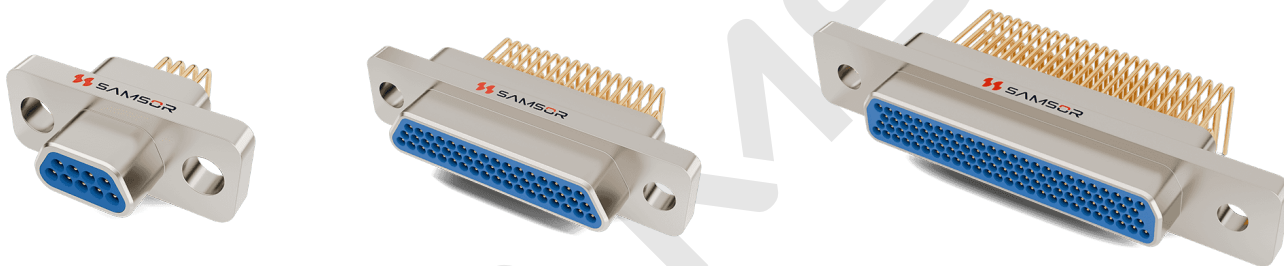
Plug/Receptacle Type: T - Plug

Contact Type: J - Pin Contact

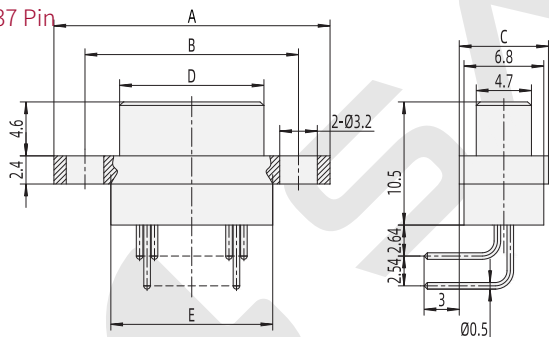
Termination Style: W - Right Angle PCB

Hardware Type: P7 - type. For other types, refer to the "J30J Series hardware" section

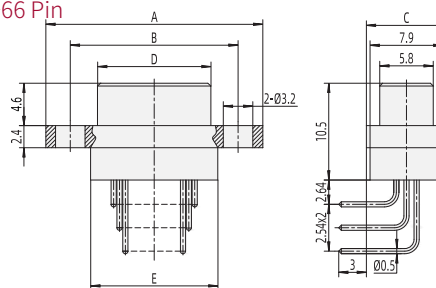
Modified Style: Type J, grid pitch 1.27 mm × 2.54 mm



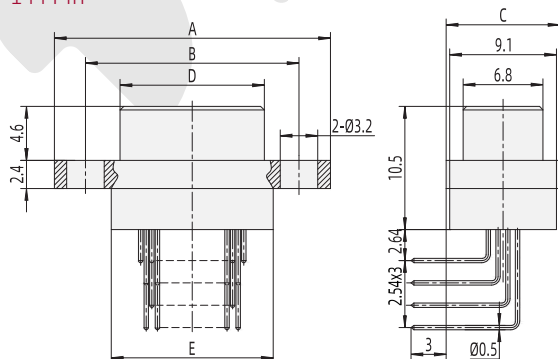
9~37 Pin



51~66 Pin



74~144 Pin

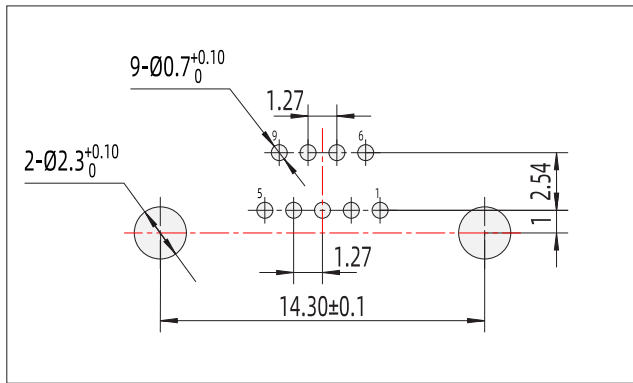


The termination is a Right-Angle Mount Printed Circuit Board, with a grid of 1.27mmx2.54mm

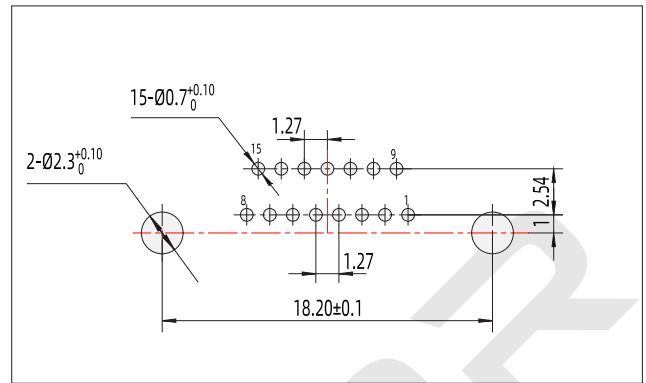
Type	A	B	C	D	E
J30J-9TJW-J	19.6	14.3	7.6	8.3	9.9
J30J-15TJW-J	23.5	18.2	7.6	12.3	13.8
J30J-21TJW-J	27.4	22	7.6	16	17.6
J30J-25TJW-J	29.8	24.5	7.6	18.6	20.2
J30J-31TJW-J	33.6	28.3	7.6	22.4	24
J30J-37TJW-J	37.4	32.2	7.6	26.3	27.8
J30J-51TJW-J	36.4	30.86	8.7	25	26.6
J30J-66TJW-J	42.9	37.3	8.7	31.4	33
J30J-74TJW-J	38.8	33.5	9.7	27.5	29.1
J30J-100TJW-J	54.7	45.7	9.7	35	36.6
J30J-144TJW-J	66.6	58.6	9.7	49	50.6

**J30J-TJW-J PCB Cutout Dimensions**

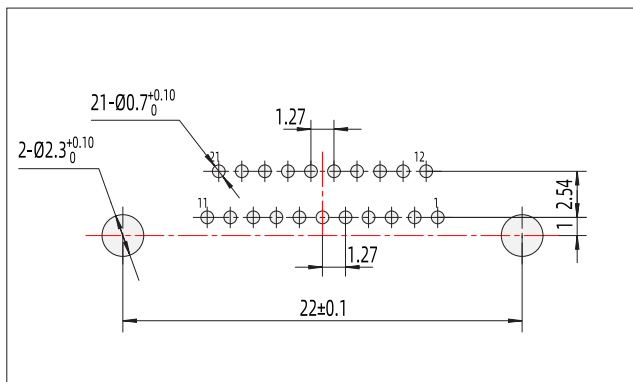
*Connector-to-PCB Orientation View*



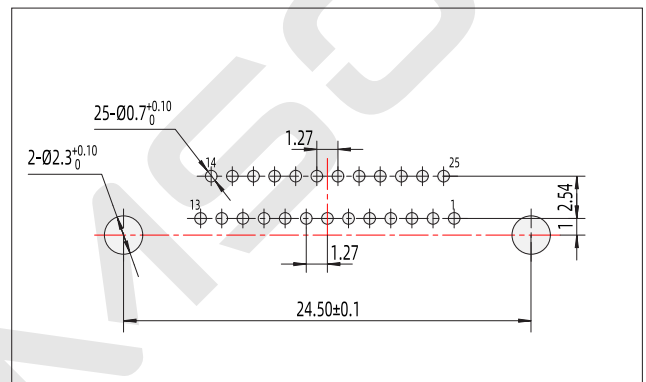
**J30J-9TJW-J**



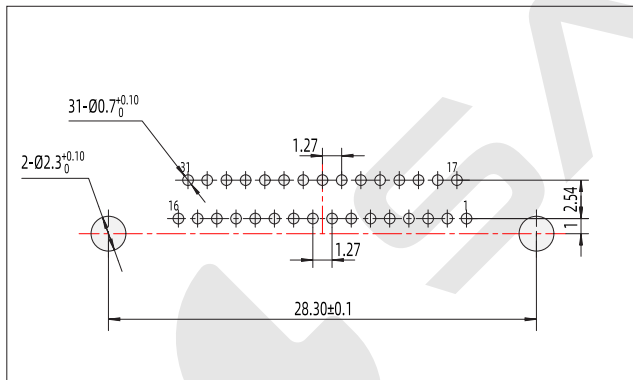
**J30J-15TJW-J**



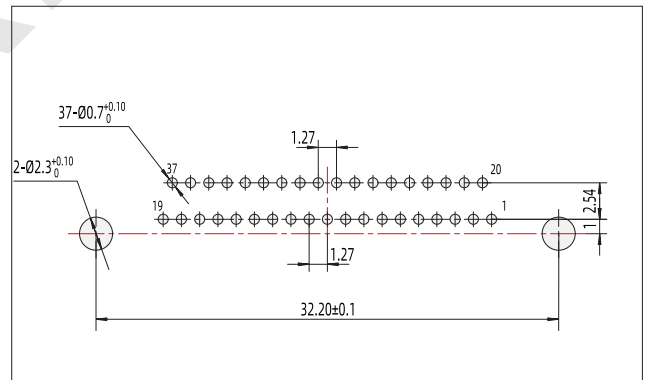
**J30J-21TJW-J**



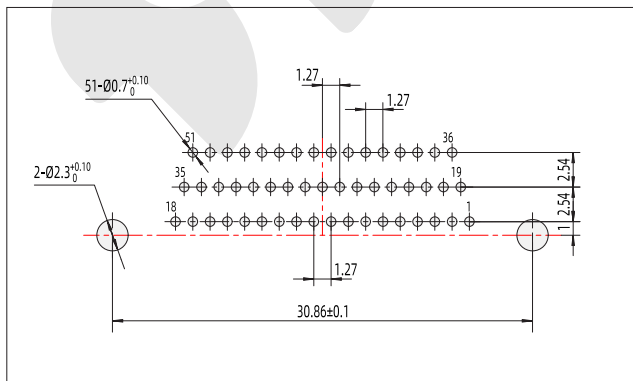
**J30J-25TJW-J**



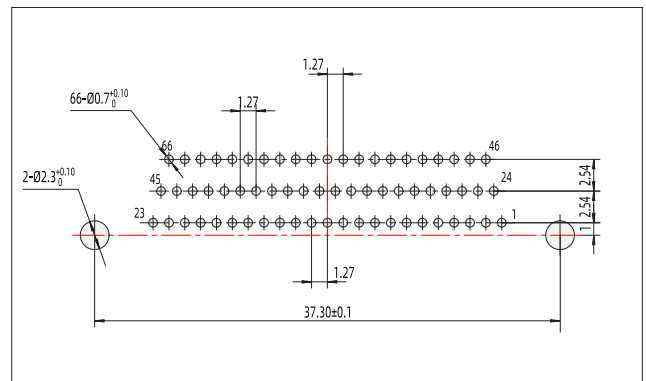
**J30J-31TJW-J**



**J30J-37TJW-J**



**J30J-51TJW-J**

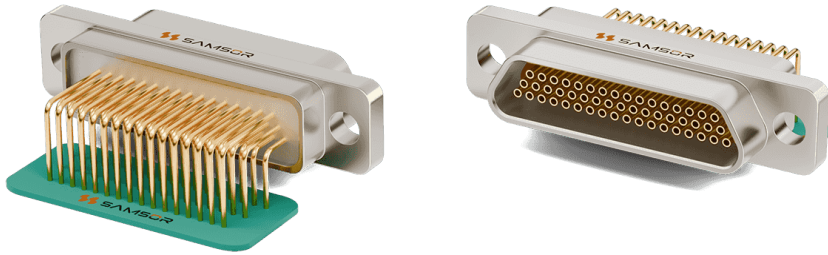


**J30J-66TJW-J**



**PCB Receptacle-Right Angle J30J-ZKW-J**

J30J	-	51	Z	K	W	P7	-	J
------	---	----	---	---	---	----	---	---



Series: J30J

Contact Layout: 9, 15, 21, 25, 31, 37, 51, 66, 74, 100, 144

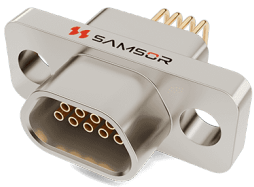
Plug/Receptacle Type: Z - Receptacle

Contact Type: K - Socket Contact

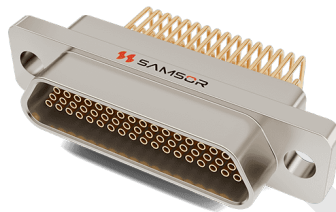
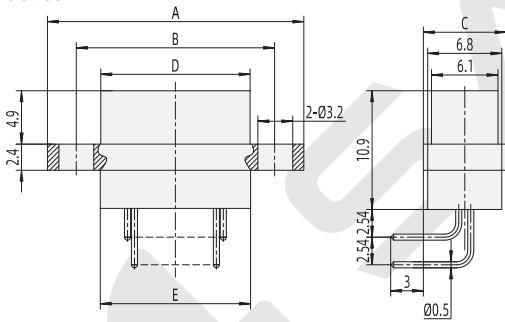
Termination Style: W - Right Angle PCB

Hardware Type: P7 - type. For other types, refer to the "J30J Series hardware" section

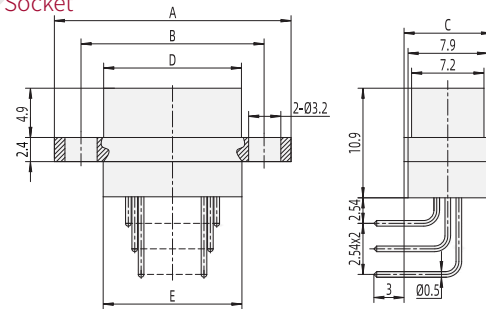
Modified Style: Type J, grid pitch 1.27 mm × 2.54 mm



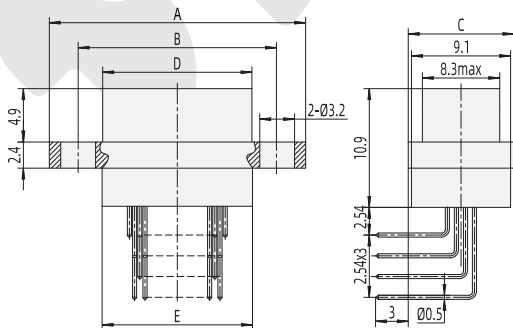
9~37 Socket



51~66 Socket



74~144 Socket

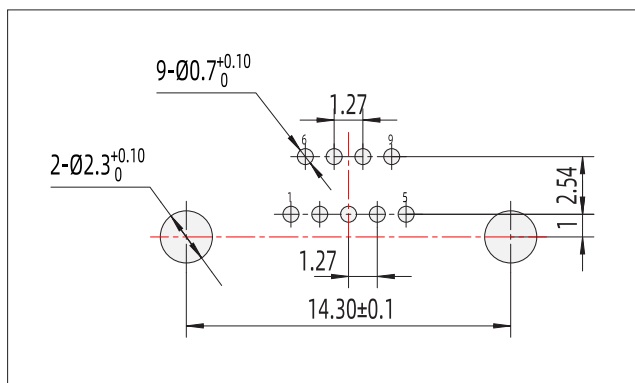


The termination is a Right-Angle Mount Printed Circuit Board, with a grid of 1.27mmx2.54mm

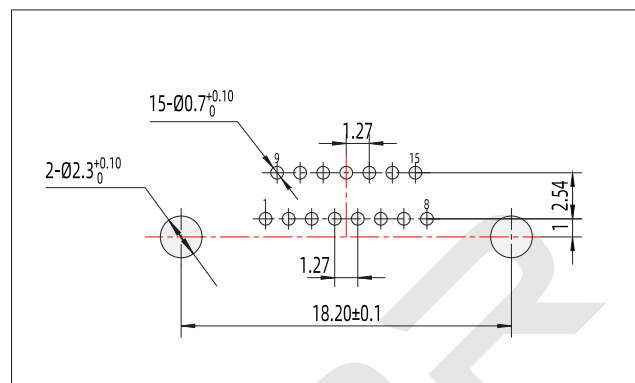
Type	A	B	C	D	E
J30J-9ZKW-J	19.6	14.3	7.6	9.8	9.9
J30J-15ZKW-J	23.5	18.2	7.6	13.7	13.8
J30J-21ZKW-J	27.4	22	7.6	17.4	17.6
J30J-25ZKW-J	29.8	24.5	7.6	20	20.2
J30J-31ZKW-J	33.6	28.3	7.6	23.8	24
J30J-37ZKW-J	37.4	32.2	7.6	27.7	27.8
J30J-51ZKW-J	36.4	30.86	8.7	26.5	26.6
J30J-66ZKW-J	42.9	37.3	8.7	32.9	33
J30J-74ZKW-J	38.8	33.5	9.7	29	29.1
J30J-100ZKW-J	54.7	45.7	9.7	36.6	36.65
J30J-144ZKW-J	66.6	58.6	9.7	50.6	50.6

## J30J-ZKW-J PCB Cutout Dimensions

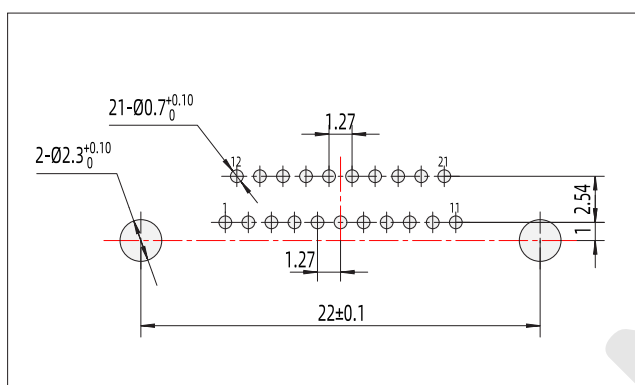
Connector-to-PCB Orientation View



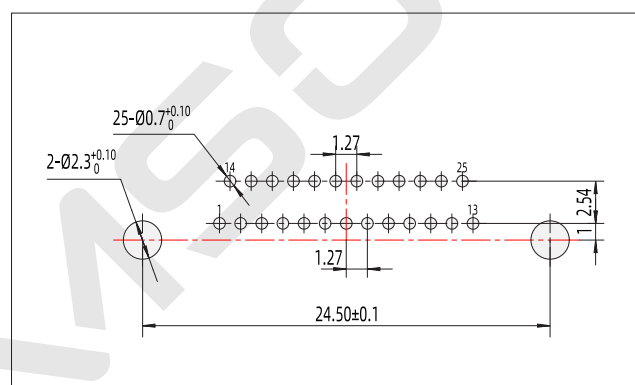
J30J-9ZKW-J



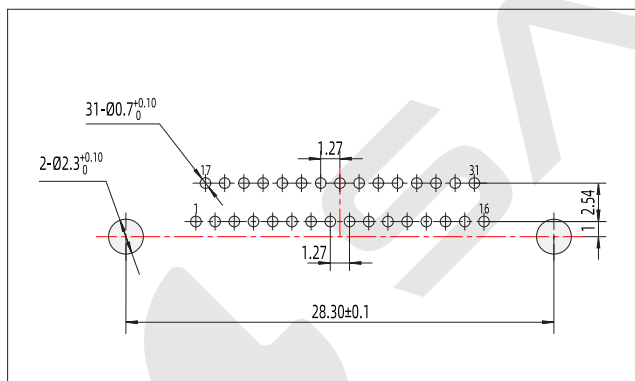
J30J-15ZKW-J



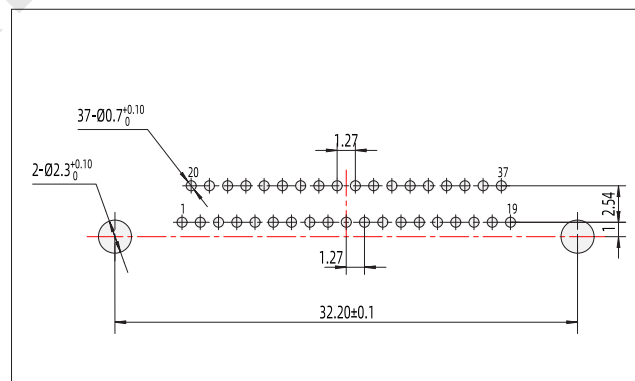
J30J-21ZKW-J



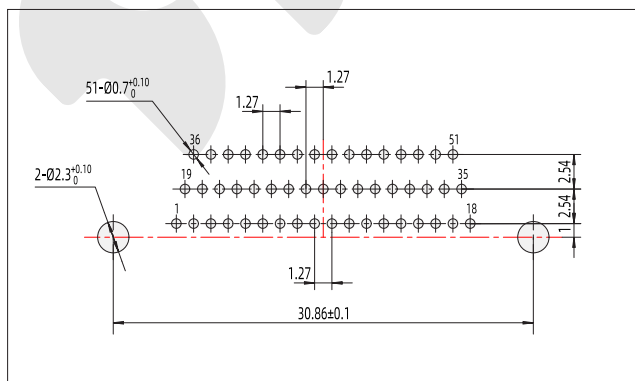
J30J-25ZKW-J



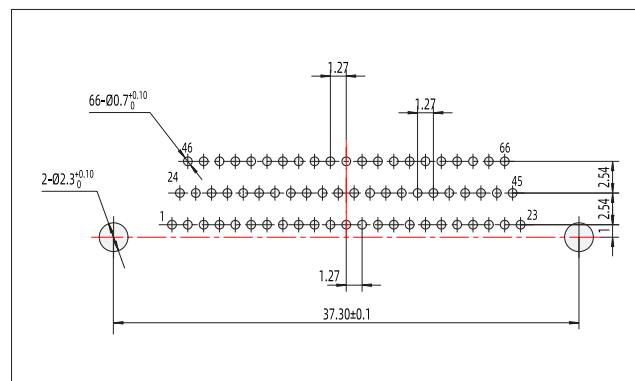
J30J-31ZKW-J



J30J-37ZKW-J



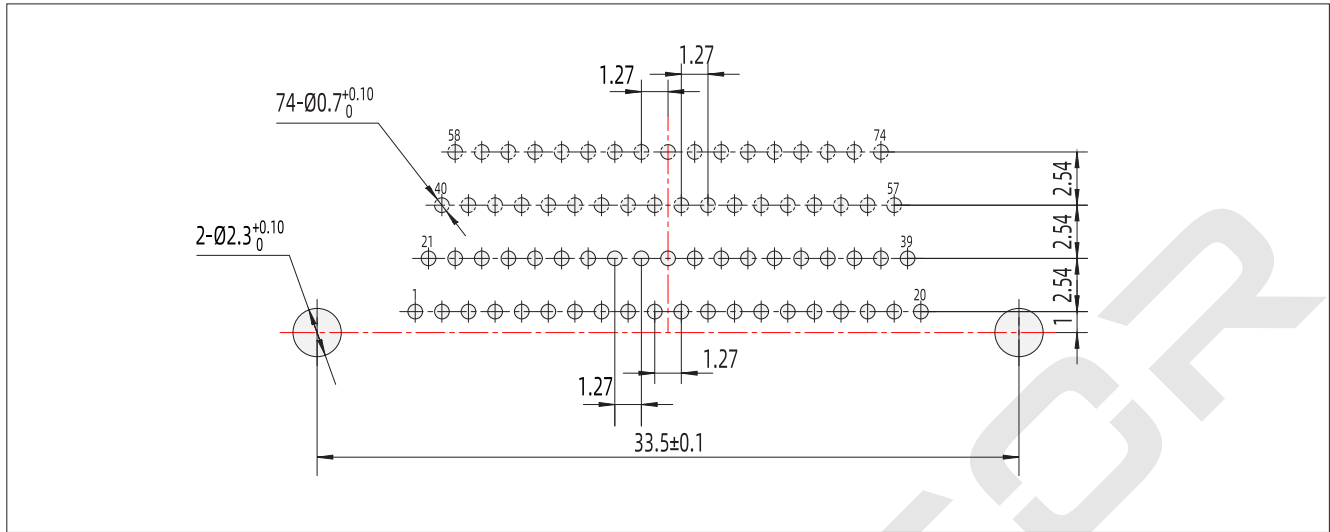
J30J-51ZKW-J



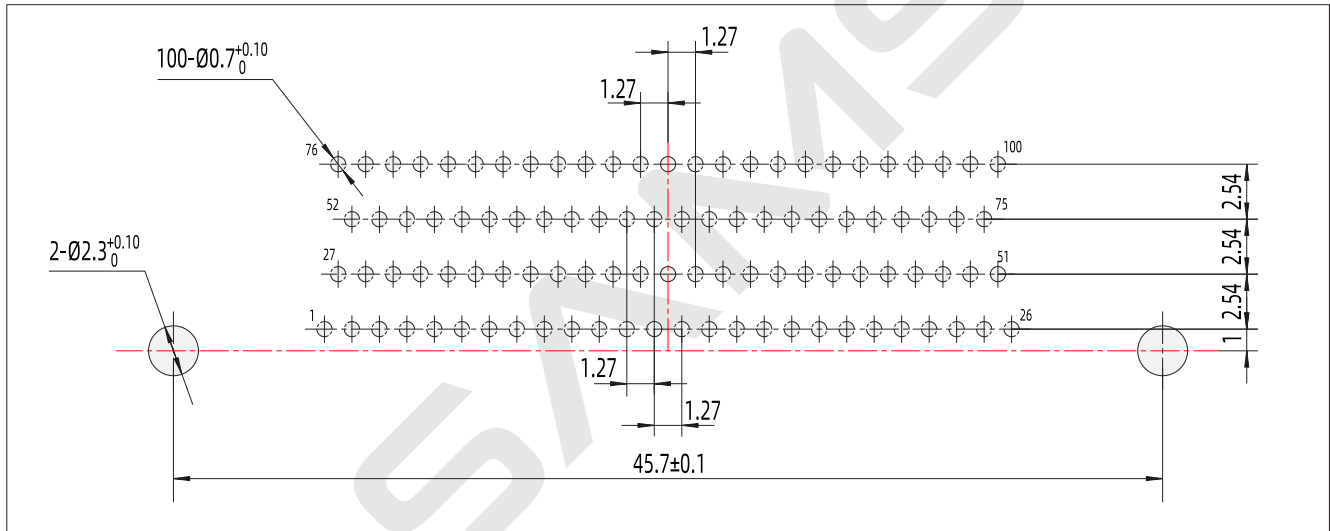
J30J-66ZKW-J

**J30J-ZKW-J PCB Cutout Dimensions**

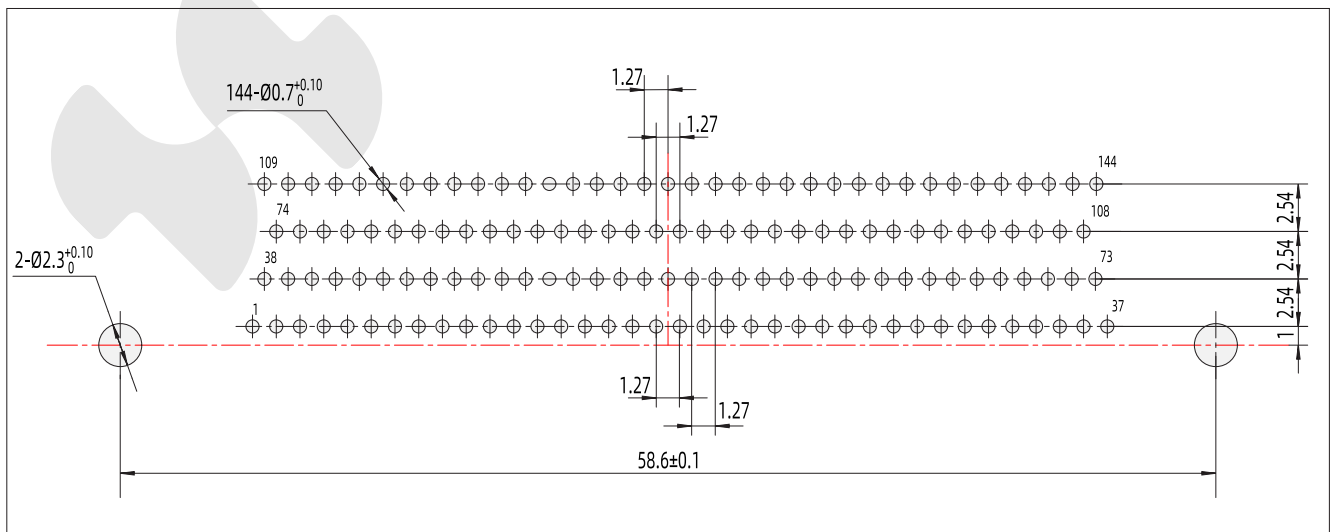
Connector-to-PCB Orientation View



**J30J-74ZKW-J**



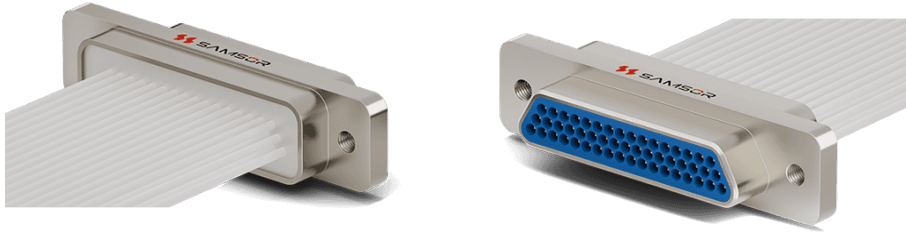
**J30J-100ZKW-J**



**J30J-144ZKW-J**

**Pre-wired Plug-  
Threaded mounting holes J30JD-TJ**

J30JD	-	51	T	J	L9	(Note)
-------	---	----	---	---	----	--------



**Series:** J30JD

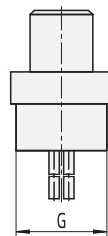
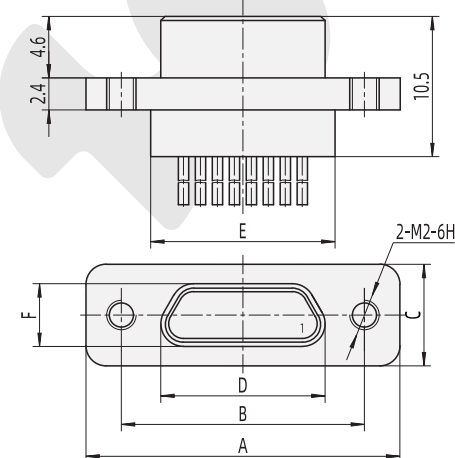
**Contact Layout:** 9, 15, 21, 25, 31, 37, 51, 66, 74, 100, 144

**Plug/Receptacle Type:** T - Plug

**Contact Type:** J - Pin Contact

**Hardware Type:** L9 - type. Application at the free end

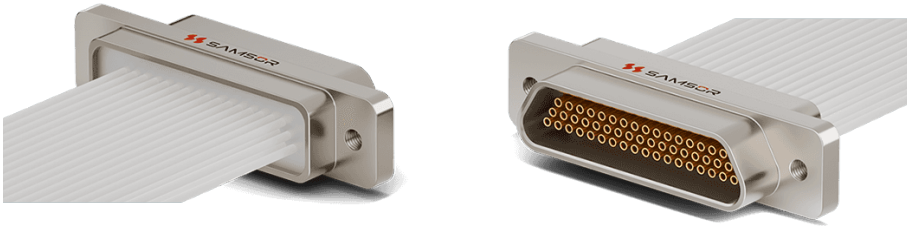
**Note:** For wire configuration, please refer to the notes in the "Model Naming" section



Type	A	B	C	D	E	F	G
J30JD-9TJ	19.6	14.3	7.6	8.3	9.9	4.7	6.8
J30JD-15TJ	23.5	18.2	7.6	12.3	13.8	4.7	6.8
J30JD-21TJ	27.4	22	7.6	16	17.6	4.7	6.8
J30JD-25TJ	29.8	24.5	7.6	18.6	20.2	4.7	6.8
J30JD-31TJ	33.6	28.3	7.6	22.4	24	4.7	6.8
J30JD-37TJ	37.4	32.2	7.6	26.3	27.8	4.7	6.8
J30JD-51TJ	36.4	30.86	8.7	25	26.6	5.8	7.9
J30JD-66TJ	42.9	37.3	8.7	31.4	33	5.8	7.9
J30JD-74TJ	38.8	33.5	9.7	27.5	29.1	6.8	9.1
J30JD-100TJ	54.7	45.7	9.7	35	36.6	6.8	9.1
J30JD-144TJ	66.6	58.6	9.7	49	50.6	6.8	9.1

**Pre-wired Receptacle-  
Threaded Mounting Hole J30JD-ZK**

J30JD - 51 Z K P46 (Note)



**Series:** J30JD

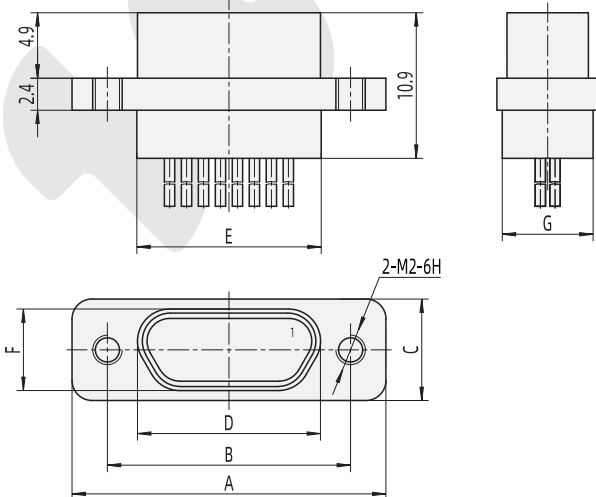
**Contact Layout:** 9, 15, 21, 25, 31, 37, 51, 66, 74, 100, 144

**Plug/Receptacle Type:** Z - Receptacle

**Contact Type:** K - Socket Contact

**Hardware Type:** P46 - type. Application at the fixed end

**Note:** For wire configuration, please refer to the notes in the "Model Naming" section



Type	A	B	C	D	E	F	G
J30JD-9ZK	19.6	14.3	7.6	9.8	9.9	6.1	6.8
J30JD-15ZK	23.5	18.2	7.6	13.7	13.8	6.1	6.8
J30JD-21ZK	27.4	22	7.6	17.4	17.6	6.1	6.8
J30JD-25ZK	29.8	24.5	7.6	20	20.2	6.1	6.8
J30JD-31ZK	33.6	28.3	7.6	23.8	24	6.1	6.8
J30JD-37ZK	37.4	32.2	7.6	27.7	27.8	6.1	6.8
J30JD-51ZK	36.4	30.86	8.7	26.5	26.6	7.2	7.9
J30JD-66ZK	42.9	37.3	8.7	32.9	33	7.2	7.9
J30JD-74ZK	38.8	33.5	9.7	29	29.1	8.3	9.1
J30JD-100ZK	54.7	45.7	9.7	36.6	36.65	8.2	9.1
J30JD-144ZK	66.6	58.6	9.7	50.6	50.6	8.2	9.1

**Pre-wired Plug - with Backshell J30J-TJ-A**

J30J - 51 T J L - A (Note)



**Series:** J30J

**Contact Layout:** 9, 15, 21, 25, 31, 37, 51, 66, 74, 100, 144

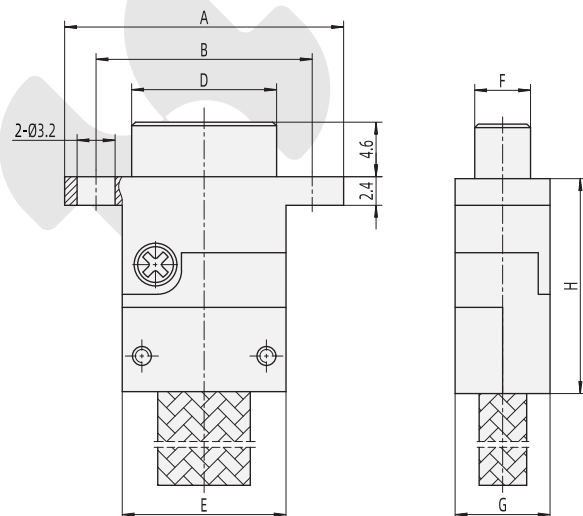
**Plug/Receptacle Type:** T - Plug

**Contact Type:** J - Pin Contact

**Hardware Type:** L - type. For other types, refer to the "J30J Series hardware" section

**Modified Style:** A type - Add backshell at the end

**Note:** For wire configuration, please refer to the notes in the "Model Naming" section



- Rear equipped with backshell
- Wire with external braided shield

Type	A	B	D	E	F	G	H
J30J-9TJ-A	19.6	14.3	8.3	9.9	4.7	8	23
J30J-15TJ-A	23.5	18.2	12.3	13.8	4.7	8	23
J30J-21TJ-A	27.4	22	16	17.6	4.7	8	23
J30J-25TJ-A	29.8	24.5	18.6	20.2	4.7	8	23
J30J-31TJ-A	33.6	28.3	22.4	24	4.7	8	23
J30J-37TJ-A	37.4	32.2	26.3	27.8	4.7	8	23
J30J-51TJ-A	36.4	30.86	25	26.6	5.8	9	23
J30J-66TJ-A	42.9	37.3	31.4	33	5.8	9	23
J30J-74TJ-A	38.8	33.5	27.5	29.1	6.8	11	25
J30J-100TJ-A	54.7	45.7	35	36.8	6.8	11	25
J30J-144TJ-A	66.6	58.6	49	50.6	6.8	11	25

**Pre-wired Receptacle - with Backshell J30J-ZK-A**

J30J	-	51	Z	K	P	-	A	(Note)
------	---	----	---	---	---	---	---	--------



**Series:** J30J

**Contact Layout:** 9, 15, 21, 25, 31, 37, 51, 66, 74, 100, 144

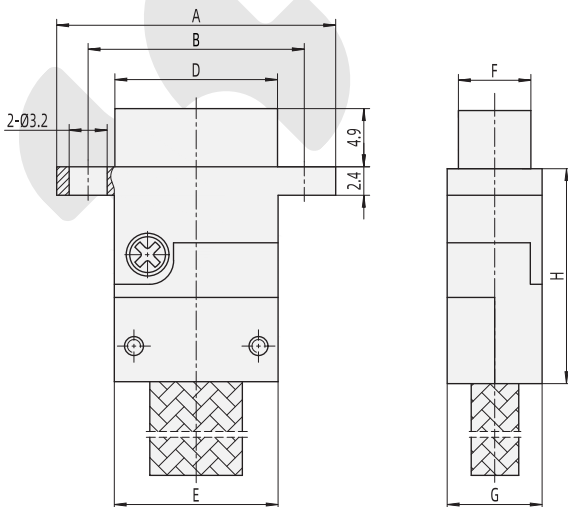
**Plug/Receptacle Type:** Z - Receptacle

**Contact Type:** K - Socket Contact

**Hardware Type:** P - type. For other types, refer to the "J30J Series hardware" section

**Modified Style:** A type - Add backshell at the end

**Note:** For wire configuration, please refer to the notes in the "Model Naming" section

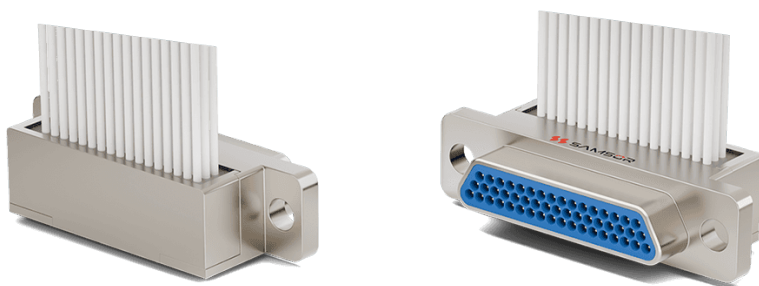


- Rear equipped with backshell
- Wire with external braided shield

Type	A	B	D	E	F	G	H
J30J-9ZK-A	19.6	14.3	9.8	9.9	6.1	8	23.5
J30J-15ZK-A	23.5	18.2	13.7	13.8	6.1	8	23.5
J30J-21ZK-A	27.4	22	17.4	17.6	6.1	8	23.5
J30J-25ZK-A	29.8	24.5	20	20.2	6.1	8	23.5
J30J-31ZK-A	33.6	28.3	23.8	24	6.1	8	23.5
J30J-37ZK-A	37.4	32.2	27.7	27.8	6.1	8	23.5
J30J-51ZK-A	36.4	30.86	26.5	26.6	7.2	9	23.5
J30J-66ZK-A	42.9	37.3	32.9	33	7.2	9	23.5
J30J-74ZK-A	38.8	33.5	29	29.1	8.3	11	25.5
J30J-100ZK-A	54.7	45.7	36.6	36.8	8.2	11	25.5
J30J-144ZK-A	66.6	58.6	50.6	50.6	8.2	11	25.5

## Pre-wired Plug - Right Angle Exit J30J-TJ-C

J30J - 51 T J L - C (Note)



**Series:** J30J

**Contact Layout:** 9, 15, 21, 25, 31, 37, 51, 66, 74, 100, 144

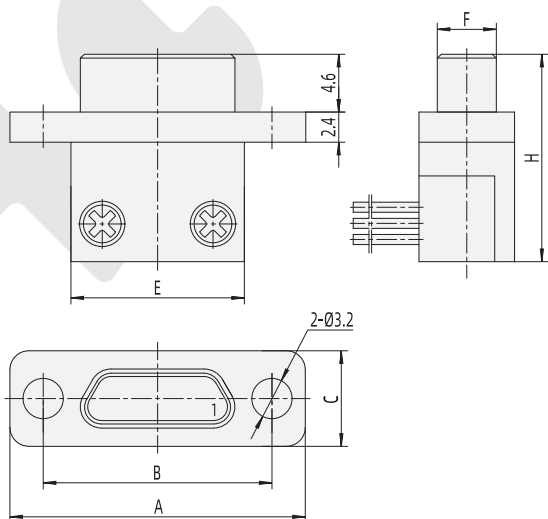
**Plug/Receptacle Type:** T - Plug

**Contact Type:** J - Pin Contact

**Hardware Type:** L - type. For other types, refer to the "J30J Series hardware" section

**Modified Style:** C type - The wire exit direction at the tail end is perpendicular to the connector's mating direction

**Note:** For wire configuration, please refer to the notes in the "Model Naming" section



■ The wire exit direction at the tail end is perpendicular to the connector's mating direction

■ The wire exit directions of J30J-TJ-C and J30J-ZK-C are opposite

■ -C-Type modification applies only to pre-wired products

Type	A	B	C	E	F	H
J30J-9TJ-C	19.6	14.3	8	9.9	4.7	16.5
J30J-15TJ-C	23.5	18.2	8	13.8	4.7	16.5
J30J-21TJ-C	27.4	22	8	17.6	4.7	16.5
J30J-25TJ-C	29.8	24.5	8	20.2	4.7	16.5
J30J-31TJ-C	33.6	28.3	8	24	4.7	16.5
J30J-37TJ-C	37.4	32.2	8	27.8	4.7	16.5
J30J-51TJ-C	36.4	30.86	9.1	26.6	5.8	17.8
J30J-66TJ-C	42.9	37.3	9.1	33	5.8	17.8
J30J-74TJ-C	38.8	33.5	10.1	29.1	6.8	19
J30J-100TJ-C	54.7	45.7	10.1	36.6	6.8	19

**Pre-wired Receptacle - Right Angle Exit J30J-ZK-C**

J30J	-	51	Z	K	P	-	C	(Note)
------	---	----	---	---	---	---	---	--------



**Series:** J30J

**Contact Layout:** 9, 15, 21, 25, 31, 37, 51, 66, 74, 100, 144

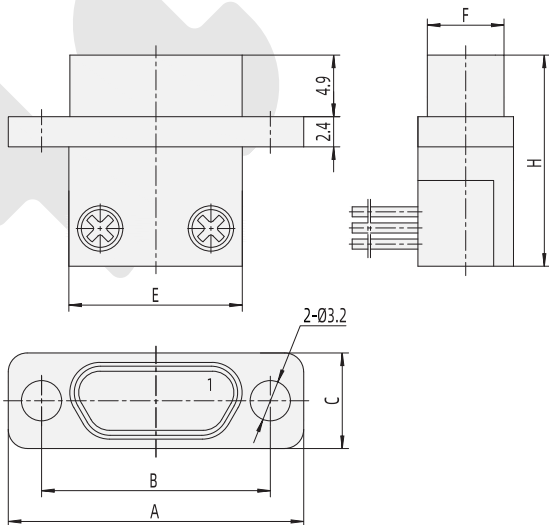
**Plug/Receptacle Type:** Z - Receptacle

**Contact Type:** K - Socket Contact

**Hardware Type:** P - type. For other types, refer to the "J30J Series hardware" section

**Modified Style:** C type - The wire exit direction at the tail end is perpendicular to the connector's mating direction

**Note:** For wire configuration, please refer to the notes in the "Model Naming" section



The wire exit direction at the tail end is perpendicular to the connector's mating direction

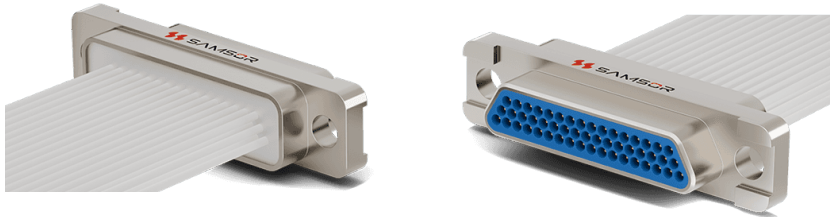
The wire exit directions of J30J-TJ-C and J30J-ZK-C are opposite

-C-Type modification applies only to pre-wired products

Type	A	B	C	E	F	H
J30J-9ZK-C	19.6	14.3	8	9.9	6.1	16.9
J30J-15ZK-C	23.5	18.2	8	13.8	6.1	16.9
J30J-21ZK-C	27.4	22	8	17.6	6.1	16.9
J30J-25ZK-C	29.8	24.5	8	20.2	6.1	16.9
J30J-31ZK-C	33.6	28.3	8	24	6.1	16.9
J30J-37ZK-C	37.4	32.2	8	27.8	6.1	16.9
J30J-51ZK-C	36.4	30.86	9.1	26.6	7.2	18.2
J30J-66ZK-C	42.9	37.3	9.1	33	7.2	18.2
J30J-74ZK-C	38.8	33.5	10.1	29.1	8.3	19.4
J30J-100ZK-C	54.7	45.7	10.1	36.6	8.3	19.4

**Pre-wired Plug -  
Jackscrew Anti - Rotation J30J-TJ-D**

J30J - 51 T J L - D (Note)



**Series:** J30J

**Contact Layout:** 9、15、21、25、31、37、51、66、74、100、144

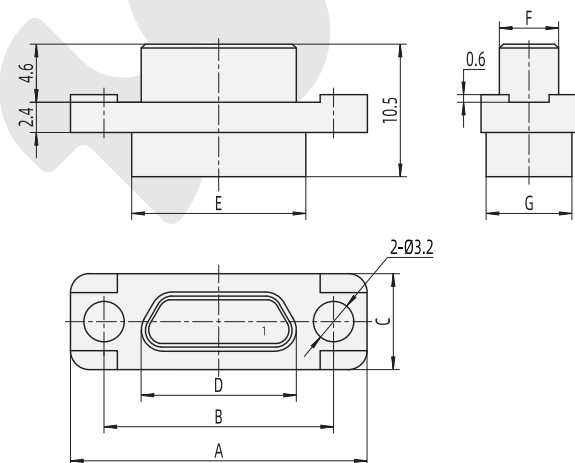
**Plug/Receptacle Type:** T - Plug

**Contact Type:** J - Pin Contact

**Hardware Type:** L - type. For other types, refer to the "J30J Series hardware" section

**Modified Style:** D type - Installation of Jackscrew Anti - Rotation Modification

**Note:** For wire configuration, please refer to the notes in the "Model Naming" section

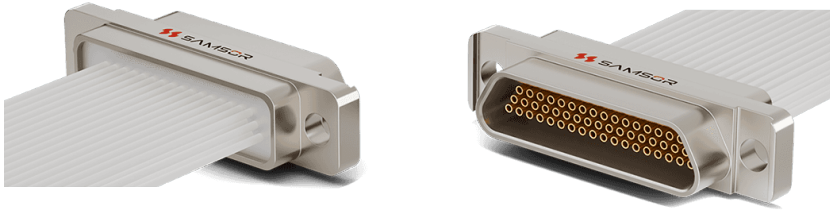


■ Flange Shell has anti - rotation slots to prevent fastener rotation during installation

Type	A	B	C	D	E	F	G
J30J-9TJ-D	19.6	14.3	7.6	8.3	9.9	4.7	6.8
J30J-15TJ-D	23.5	18.2	7.6	12.3	13.8	4.7	6.8
J30J-21TJ-D	27.4	22	7.6	16	17.6	4.7	6.8
J30J-25TJ-D	29.8	24.5	7.6	18.6	20.2	4.7	6.8
J30J-31TJ-D	33.6	28.3	7.6	22.4	24	4.7	6.8
J30J-37TJ-D	37.4	32.2	7.6	26.3	27.8	4.7	6.8
J30J-51TJ-D	36.4	30.86	8.7	25	26.6	5.8	7.9
J30J-66TJ-D	42.9	37.3	8.7	31.4	33	5.8	7.9
J30J-74TJ-D	38.8	33.5	9.7	27.5	29.1	6.8	9.1
J30J-100TJ-D	54.7	45.7	9.7	35	36.6	6.8	9.1
J30J-144TJ-D	66.6	58.6	9.7	49	50.6	6.8	9.1

**Pre-wired Receptacle-  
Jackscrew Anti - Rotation J30J-ZK-D**

J30J	-	51	Z	K	P	-	D	(Note)
------	---	----	---	---	---	---	---	--------



Series: J30J

Contact Layout: 9, 15, 21, 25, 31, 37, 51, 66, 74, 100, 144

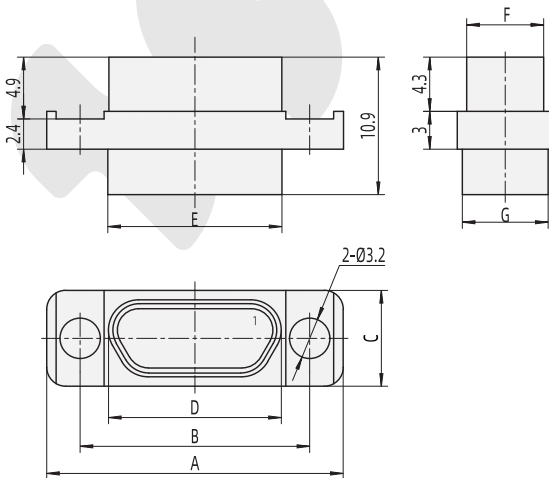
Plug/Receptacle Type: Z - Receptacle

Contact Type: K - Socket Contact

Hardware Type: P - type. For other types, refer to the "J30J Series hardware" section

Modified Style: D type - Installation of Jackscrew Anti - Rotation Modification

Note: For wire configuration, please refer to the notes in the "Model Naming" section

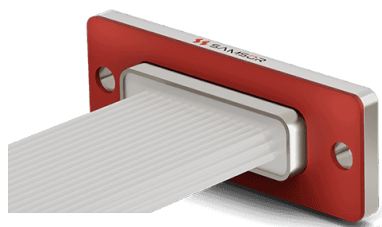


Flange Shell has anti - rotation slots to prevent fastener rotation during installation

Type	A	B	C	D	E	F	G
J30J-9ZK-D	19.6	14.3	7.6	9.8	9.9	6.1	6.8
J30J-15ZK-D	23.5	18.2	7.6	13.7	13.8	6.1	6.8
J30J-21ZK-D	27.4	22	7.6	17.4	17.6	6.1	6.8
J30J-25ZK-D	29.8	24.5	7.6	20	20.2	6.1	6.8
J30J-31ZK-D	33.6	28.3	7.6	23.8	24	6.1	6.8
J30J-37ZK-D	37.4	32.2	7.6	27.7	27.8	6.1	6.8
J30J-51ZK-D	36.4	30.86	8.7	26.5	26.6	7.2	7.9
J30J-66ZK-D	42.9	37.3	8.7	32.9	33	7.2	7.9
J30J-74ZK-D	38.8	33.5	9.7	29	29.1	8.3	9.1
J30J-100ZK-D	54.7	45.7	9.7	36.6	36.65	8.2	9.1
J30J-144ZK-D	66.6	58.6	9.7	50.6	50.6	8.2	9.1

**J30J Series**

**Pre-wired Plug -  
Flange Widened J30J-TJ-Q**



J30J	-	51	T	J	P	-	Q	(Note)
------	---	----	---	---	---	---	---	--------

**Series:** J30J

**Contact Layout:** 9, 15, 21, 25, 31, 37, 51, 66, 74, 100, 144

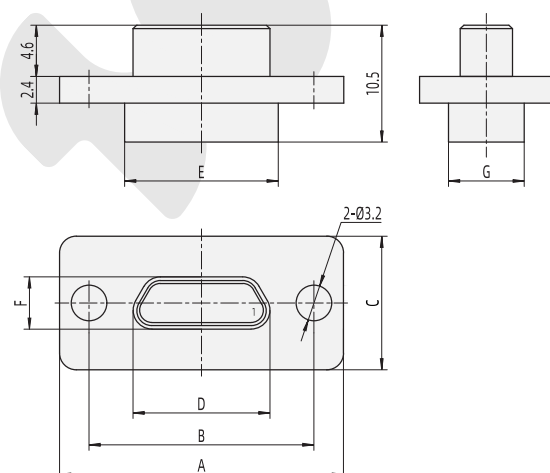
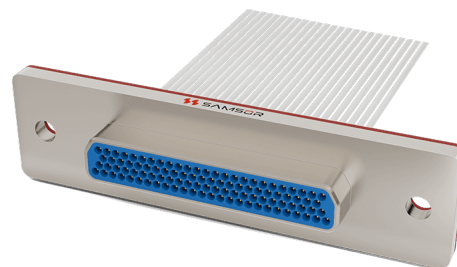
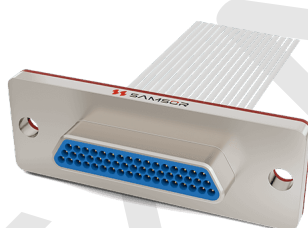
**Plug/Receptacle Type:** T - Plug

**Contact Type:** J - Pin Contact

**Hardware Type:** P - type. For other types, refer to the "J30J Series hardware" section

**Modified Style:** Q type-Flange Widened Modification

**Note:** For wire configuration, please refer to the notes in the "Model Naming" section



- The spacing between the shell flange and mounting holes is increased
- Mounting gaskets are added (thickness: 1mm)

Type	A	B	C	D	E	F	G
J30J-9TJ-Q	26	21	14	8.3	9.9	4.7	6.8
J30J-15TJ-Q	29.9	24.9	14	12.3	13.8	4.7	6.8
J30J-21TJ-Q	33.8	28.7	14	16	17.6	4.7	6.8
J30J-25TJ-Q	36.2	31.2	14	18.6	20.2	4.7	6.8
J30J-31TJ-Q	40	35	14	22.4	24	4.7	6.8
J30J-37TJ-Q	43.8	38.9	14	26.3	27.8	4.7	6.8
J30J-51TJ-Q	42.6	37.6	15.2	25	26.6	5.8	7.9
J30J-66TJ-Q	49.3	44	15.2	31.4	33	5.8	7.9
J30J-74TJ-Q	45.2	40.2	16.1	27.5	29.1	6.8	9.1
J30J-100TJ-Q	61.1	52.4	16.1	35	36.6	6.8	9.1

**Pre-wired Receptacle -  
Flange Widened J30J-ZK-Q**

J30J	-	51	Z	K	P	-	Q	(Note)
------	---	----	---	---	---	---	---	--------



Series: J30J

Contact Layout: 9, 15, 21, 25, 31, 37, 51, 66, 74, 100, 144

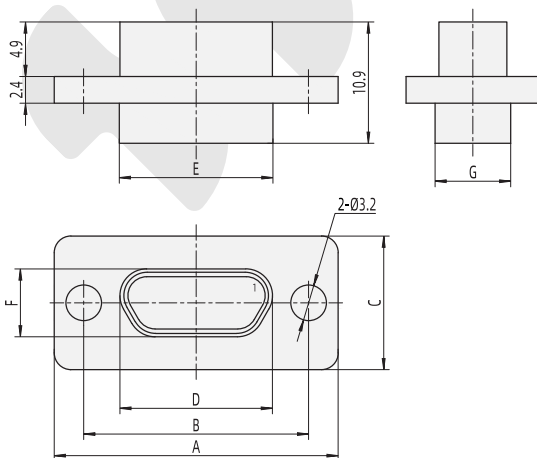
Plug/Receptacle Type: Z - Receptacle

Contact Type: K - Socket Contact

Hardware Type: P - type. For other types, refer to the "J30J Series hardware" section

Modified Style: Q type-Flange Widened Modification

Note: For wire configuration, please refer to the notes in the "Model Naming" section



- The spacing between the shell flange and mounting holes is increased
- Mounting gaskets are added (thickness: 1mm)

Type	A	B	C	D	E	F	G
J30J-9ZK-Q	26	21	14	9.8	9.9	6.1	6.8
J30J-15ZK-Q	29.9	24.9	14	13.7	13.8	6.1	6.8
J30J-21ZK-Q	33.8	28.7	14	17.4	17.6	6.1	6.8
J30J-25ZK-Q	36.2	31.2	14	20	20.2	6.1	6.8
J30J-31ZK-Q	40	35	14	23.8	24	6.1	6.8
J30J-37ZK-Q	43.8	38.9	14	27.7	27.8	6.1	6.8
J30J-51ZK-Q	42.6	37.6	15.2	26.5	26.6	7.2	7.9
J30J-66ZK-Q	49.3	44	15.2	32.9	33	7.2	7.9
J30J-74ZK-Q	45.2	40.2	16.1	29	29.1	8.3	9.1
J30J-100ZK-Q	61.1	52.4	16.1	36.6	36.65	8.2	9.1

**Pre-wired Plug-  
Flange Widened J30J-TJ-Q8**



J30J - 51 T J L - Q8 (Note)

**Series:** J30J

**Contact Layout:** 9、15、21、25、31、37、51、66、74、100

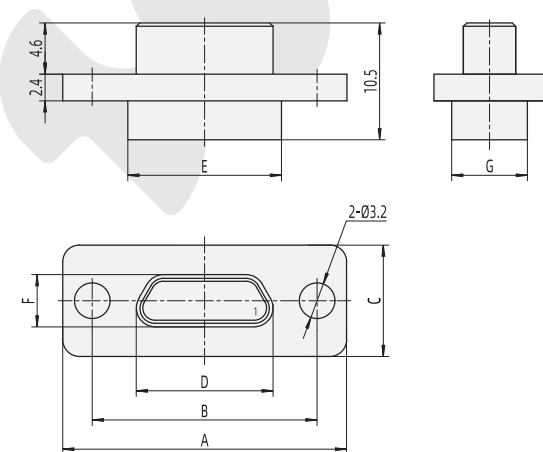
**Plug/Receptacle Type:** T - Plug

**Contact Type:** J - Pin Contact

**Hardware Type:** L - type. For other types, refer to the "J30J Series hardware" section

**Modified Style:** Q8 type-Flange Widened Modification

**Note:** For wire configuration, please refer to the notes in the "Model Naming" section



**Increase the spacing between shell flanges and installation holes**

Type	A	B	C	D	E	F	G
J30J-9TJ-Q8	21.4	16.1	11.6	8.3	11.7	4.7	6.8
J30J-15TJ-Q8	25.3	20	11.6	12.3	15.6	4.7	6.8
J30J-21TJ-Q8	29.2	23.8	11.6	16	19.4	4.7	6.8
J30J-25TJ-Q8	31.6	26.3	11.6	18.6	22	4.7	6.8
J30J-31TJ-Q8	35.4	30.1	11.6	22.4	25.8	4.7	6.8
J30J-37TJ-Q8	39.2	34	11.6	26.3	29.6	4.7	6.8
J30J-51TJ-Q8	38.2	32.6	12.6	25	28.4	5.8	7.9
J30J-66TJ-Q8	44.7	39.1	12.6	31.4	34.8	5.8	7.9
J30J-74TJ-Q8	40.6	35.3	13.8	27.5	30.9	6.8	9.1
J30J-100TJ-Q8	56.5	47.5	13.8	35	38.6	6.8	9.1

**Pre-wired Receptacle -  
Flange Widened J30J-ZK-Q8**



J30J	-	51	Z	K	P	-	Q8	(Note)
------	---	----	---	---	---	---	----	--------

**Series:** J30J

**Contact Layout:** 9, 15, 21, 25, 31, 37, 51, 66, 74, 100, 144

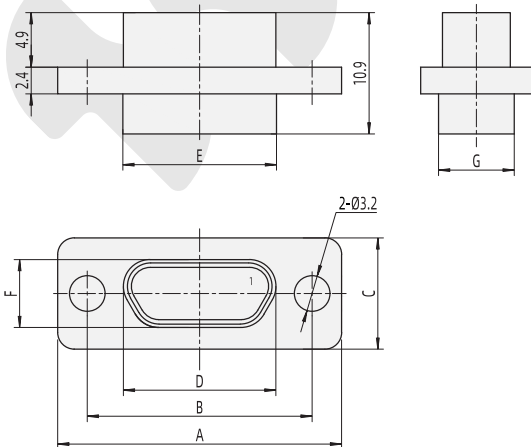
**Plug/Receptacle Type:** Z - Receptacle

**Contact Type:** K - Socket Contact

**Hardware Type:** P - type. For other types, refer to the "J30J Series hardware" section

**Modified Style:** Q8 type-Flange Widened Modification

**Note:** For wire configuration, please refer to the notes in the "Model Naming" section



■ Increase the spacing between shell flanges and installation holes

Type	A	B	C	D	E	F	G
J30J-9 ZK-Q8	21.4	16.1	11.6	9.8	11.7	6.1	6.8
J30J-15 ZK-Q8	25.3	20	11.6	13.7	15.6	6.1	6.8
J30J-21 ZK-Q8	29.2	23.8	11.6	17.4	19.4	6.1	6.8
J30J-25 ZK-Q8	31.6	26.3	11.6	20	22	6.1	6.8
J30J-31 ZK-Q8	35.4	30.1	11.6	23.8	25.8	6.1	6.8
J30J-37 ZK-Q8	39.2	34	11.6	27.7	29.6	6.1	6.8
J30J-51 ZK-Q8	38.2	32.6	12.6	26.5	28.4	7.2	7.9
J30J-66 ZK-Q8	44.7	39.1	12.6	32.9	34.8	7.2	7.9
J30J-74 ZK-Q8	40.6	35.3	13.8	29	30.9	8.3	9.1
J30J-100 ZK-Q8	56.5	47.5	13.8	36.6	38.6	8.2	9.1

■ The J30JM Epoxy-sealed connector, compared to the J30J standard model, increases an additional air leakage rate specification of  $5.0 \times 10^{-2} \text{ Pa} \cdot \text{cm}^3/\text{s}$  (at 1 standard atmosphere)

■ The J30JM Epoxy-sealed connector has an independent detailed specification, Q/SS 122-2022 "Detailed Specification for J30JM Micro-D Rectangular Electrical Connectors"

### Pre-wired Receptacle - Epoxy-Sealed Type J30JM-ZK

J30JM	-	51	Z	K	P	(Note)
-------	---	----	---	---	---	--------



**Series:** J30JM

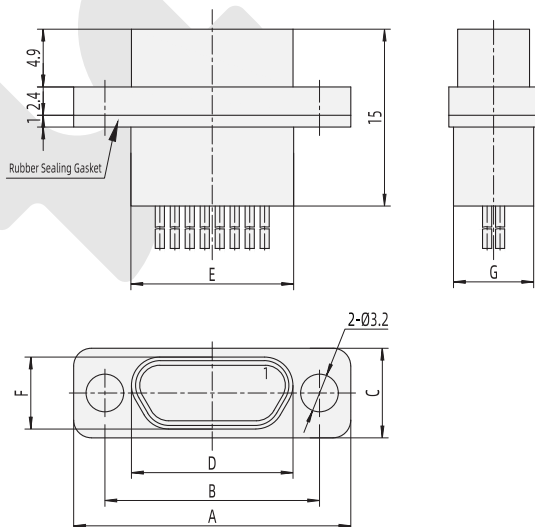
**Contact Layout:** 9, 15, 21, 25, 31, 37, 51, 66, 74, 100

**Plug/Receptacle Type:** Z - Receptacle

**Contact Type:** K - Socket Contact

**Hardware Type:** P - type. For other types, refer to the "J30J Series hardware" section

**Note:** For wire configuration, please refer to the notes in the "Model Naming" section



Type	A	B	C	D	E	F	G
J30JM-9ZK	19.6	14.3	12	9.8	9.9	6.1	6.8
J30JM-15ZK	23.5	18.2	12	13.7	13.8	6.1	6.8
J30JM-21ZK	27.4	22	12	17.4	17.6	6.1	6.8
J30JM-25ZK	29.8	24.5	12	20	20.2	6.1	6.8
J30JM-31ZK	33.6	28.3	12	23.8	24	6.1	6.8
J30JM-37ZK	37.4	32.2	12	27.7	27.8	6.1	6.8
J30JM-51ZK	36.4	30.86	13	26.5	26.6	7.2	7.9
J30JM-66ZK	42.9	37.3	13	32.9	33	7.2	7.9
J30JM-74ZK	38.8	33.5	14	29	29.1	8.3	9.1
J30JM-100ZK	54.7	45.7	14	36.6	36.65	8.2	9.1

**Solder Cup Receptacle - Epoxy-Sealed Type J30JM-ZKS**

J30JM	-	51	Z	K	S	P
-------	---	----	---	---	---	---



Series: J30JM

Contact Layout: 9, 15, 21, 25, 31, 37, 51, 66, 74, 100

Plug/Receptacle Type: Z - Receptacle

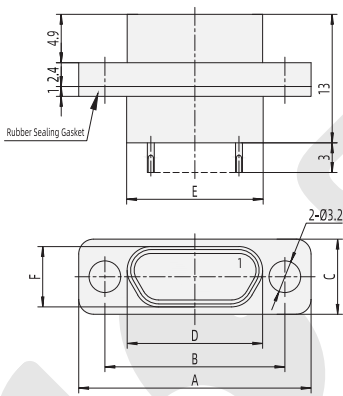
Contact Type: K - Socket Contact

Termination Style: S - Solder Cup

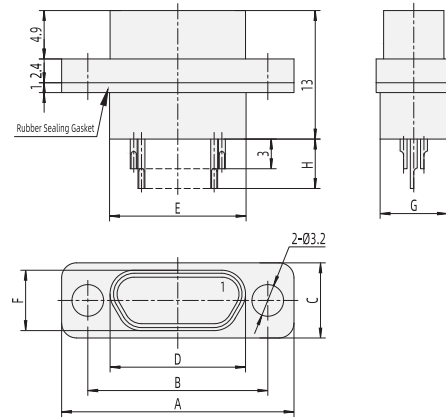
Hardware Type: P - type. For other types, refer to the "J30J Series hardware" section



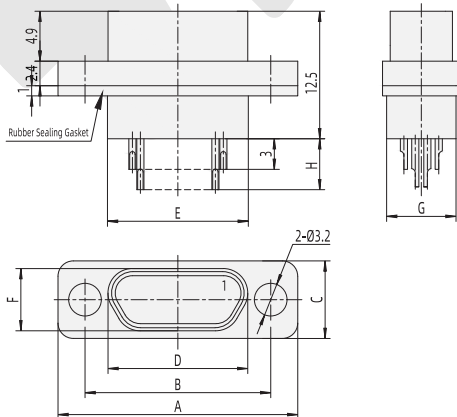
9~37 Socket



51~66 Socket



74~100 Socket

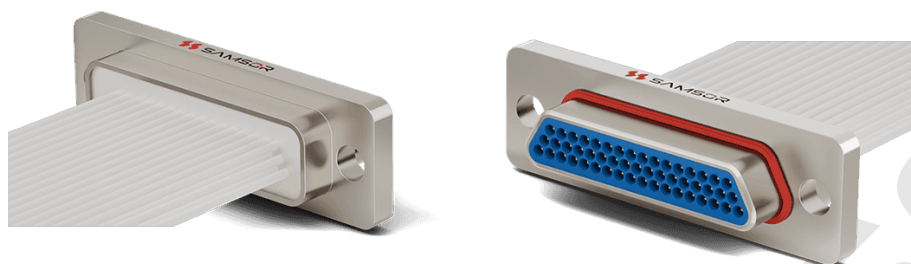


Type	A	B	C	D	E	F	G	H
J30JM-9ZKS	19.6	14.3	11.6	9.8	9.9	6.1	6.8	/
J30JM-15ZKS	23.5	18.2	11.6	13.7	13.8	6.1	6.8	/
J30JM-21ZKS	27.4	22	11.6	17.4	17.6	6.1	6.8	/
J30JM-25ZKS	29.8	24.5	11.6	20	20.2	6.1	6.8	/
J30JM-31ZKS	33.6	28.3	11.6	23.8	24	6.1	6.8	/
J30JM-37ZKS	37.4	32.2	11.6	27.7	27.8	6.1	6.8	/
J30JM-51ZKS	36.4	30.86	12.7	26.5	26.6	7.2	7.9	5
J30JM-66ZKS	42.9	37.3	12.7	32.9	33	7.2	7.9	5
J30JM-74ZKS	38.8	33.5	13.7	29	29.1	8.3	9.1	5
J30JM-100ZKS	54.7	45.7	13.7	36.6	36.65	8.3	9.1	5

- The J30JY model adds rain protection function based on the J30J basic model. Add sealing rings to the plug and square rubber pads to the receptacle. The shell is made of stainless steel
- The waterproof performance of J30JY type meets the requirements of program I (rainfall and blowing rain) and program III (dripping) in GJB150.8. After the test, the insulation resistance is greater than 1000MΩ, the withstand voltage is 300V AC, and there are no visible water droplets in the plug-in end chamber
- The J30JY product has an independent detailed product specification, Q/SS 124-2023 《Detailed Specification for J30JY Micro-D Rectangular Electrical Connectors》

## Pre-wired Plug - Rainproof J30JY-TJ

J30JY	-	51	T	J	L	(Note)
-------	---	----	---	---	---	--------



**Series:** J30JY

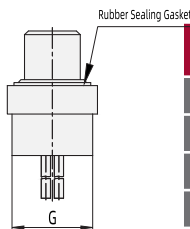
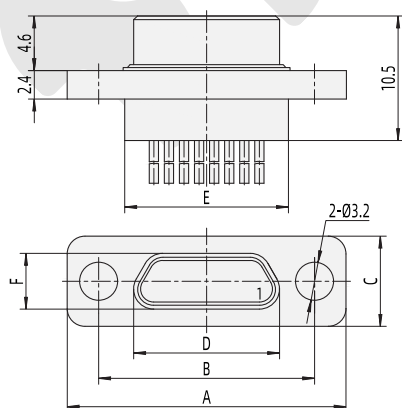
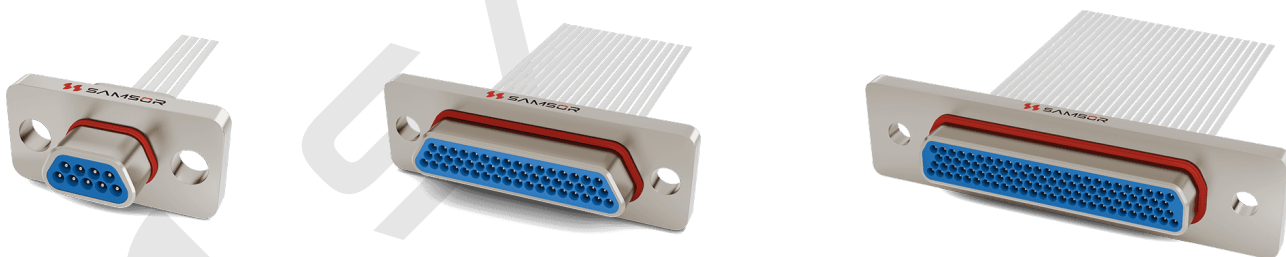
**Contact Layout:** 9、15、21、25、31、37、51、66、74、100

**Plug/Receptacle Type:** T - Plug

**Contact Type:** J - Pin Contact

**Hardware Type:** L - type. For other types, refer to the "J30J Series hardware" section

**Note:** For wire configuration, please refer to the notes in the "Model Naming" section



Type	A	B	C	D	E	F	G
J30JY-9TJ	19.6	14.3	9.6	8.3	9.9	4.7	6.8
J30JY-15TJ	23.5	18.2	9.6	12.3	13.8	4.7	6.8
J30JY-21TJ	27.4	22	9.6	16	17.6	4.7	6.8
J30JY-25TJ	29.8	24.5	9.6	18.6	20.2	4.7	6.8
J30JY-31TJ	33.6	28.3	9.6	22.4	24	4.7	6.8
J30JY-37TJ	37.4	32.2	9.6	26.3	27.8	4.7	6.8
J30JY-51TJ	36.4	30.86	11.6	25	26.6	5.8	7.9
J30JY-66TJ	42.9	37.3	11.6	31.4	33	5.8	7.9
J30JY-74TJ	38.8	33.5	13.6	27.5	29.1	6.8	9.1
J30JY-100TJ	54.7	45.7	13.6	35	36.3	6.8	9.1

**Pre-wired Receptacle - Rainproof J30JY-ZK**

J30JY	-	51	Z	K	P	(Note)
-------	---	----	---	---	---	--------



**Series:** J30JY

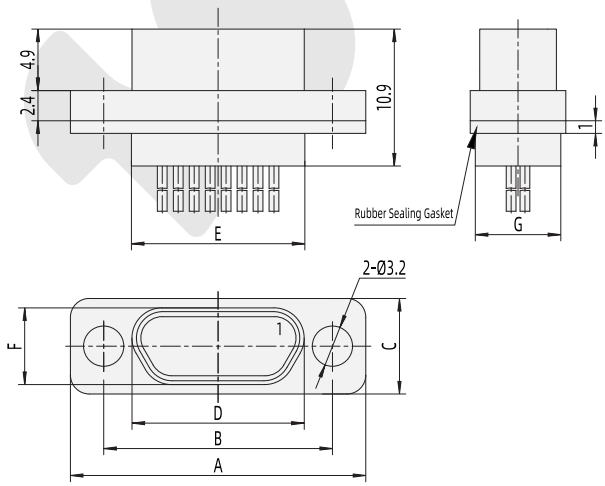
**Contact Layout:** 9、15、21、25、31、37、51、66、74、100

**Plug/Receptacle Type:** Z - Receptacle

**Contact Type:** K - Socket Contact

**Hardware Type:** P - type. For other types, refer to the "J30J Series hardware" section

**Note:** For wire configuration, please refer to the notes in the "Model Naming" section



Type	A	B	C	D	E	F	G
J30JY-9ZK	19.6	14.3	9.6	9.8	9.9	6.1	6.8
J30JY-15ZK	23.5	18.2	9.6	13.7	13.8	6.1	6.8
J30JY-21ZK	27.4	22	9.6	17.4	17.6	6.1	6.8
J30JY-25ZK	29.8	24.5	9.6	20	20.2	6.1	6.8
J30JY-31ZK	33.6	28.3	9.6	23.8	24	6.1	6.8
J30JY-37ZK	37.4	32.2	9.6	27.7	27.8	6.1	6.8
J30JY-51ZK	36.4	30.86	11.6	26.5	26.6	7.2	7.9
J30JY-66ZK	42.9	37.3	11.6	32.9	33	7.2	7.9
J30JY-74ZK	38.8	33.5	13.6	29	29.1	8.3	9.1
J30JY-100ZK	54.7	45.7	13.6	36.6	36.6	8.3	9.1

**J30J Series**

Pre-wired Plug - Quick Lock **J30JA-TJ**

J30JA	-	51	T	J	(Note)
-------	---	----	---	---	--------



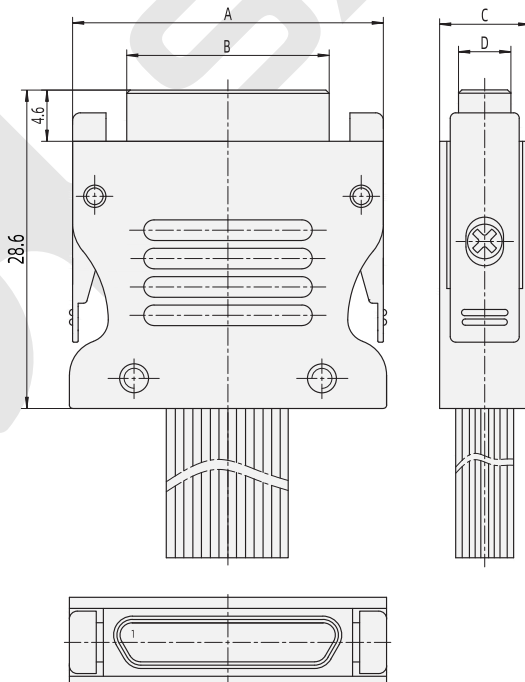
Series: J30JA

Contact Layout: 9, 15, 21, 25, 31, 37, 51, 66, 74, 100, 144

Plug/Receptacle Type: T - Plug

Contact Type: J - Pin Contact

Note: For wire configuration, please refer to the notes in the "Model Naming" section



Type	A	B	C	D
J30JA-9TJ	18.2	8.4	8.1	4.7
J30JA-15TJ	22.1	12.3	8.1	4.7
J30JA-21TJ	25.8	16	8.1	4.7
J30JA-25TJ	28.4	18.6	8.1	4.7
J30JA-31TJ	32.2	22.4	8.1	4.7
J30JA-37TJ	36	26.3	8.1	4.7
J30JA-51TJ	34.8	25	10	5.8
J30JA-66TJ	41.2	31.4	10	5.8
J30JA-74TJ	37.3	27.5	11	6.8
J30JA-100TJ	44.8	35	11	6.8
J30JA-144TJ	58.8	49	11	6.8

**Pre - wired Receptacle - Quick Lock J30JA-ZK**

J30JA	-	51	Z	K	(Note)
-------	---	----	---	---	--------



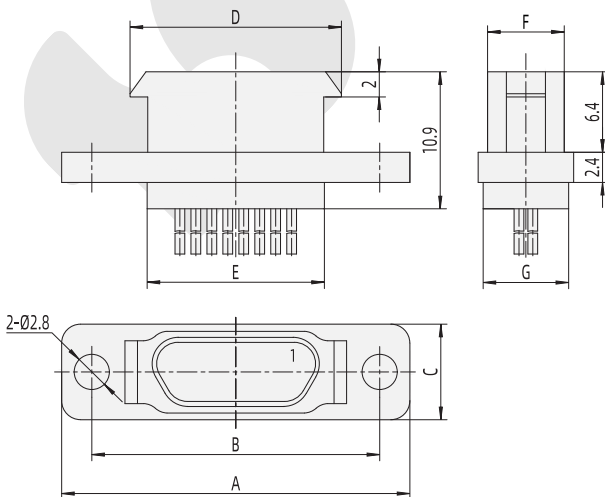
Series: J30JA

Contact Layout: 9, 15, 21, 25, 31, 37, 51, 66, 74, 100, 144

Plug/Receptacle Type: Z - Receptacle

Contact Type: K - Socket Contact

Note: For wire configuration, please refer to the notes in the "Model Naming" section



Type	A	B	C	D	E	F	G
J30JA-9ZK	23.4	18.6	7.6	14.3	9.8	6.5	6.8
J30JA-15ZK	27.4	22.6	7.6	18.3	13.8	6.5	6.8
J30JA-21ZK	31.1	26.3	7.6	22	17.5	6.5	6.8
J30JA-25ZK	33.7	28.9	7.6	24.6	20.1	6.5	6.8
J30JA-31ZK	37.5	32.7	7.6	28.4	24.1	6.5	6.8
J30JA-37ZK	41.4	36.6	7.6	32.3	27.8	6.5	6.8
J30JA-51ZK	40.1	35.3	8.7	31	26.5	7.6	7.9
J30JA-66ZK	46.5	41.7	8.7	37.4	33	7.6	7.9
J30JA-74ZK	42.6	37.8	9.8	33.5	29	8.7	9
J30JA-100ZK	50.1	45.3	9.8	41	36.5	8.7	9
J30JA-144ZK	64.1	59.3	9.8	55	50.6	8.7	9.1

**J30J Series**

## Solder Cup Receptacle - Quick Lock J30JA-ZKS

J30JA - 51 Z K S



Series: J30JA

Contact Layout: 9、15、21、25、31、37、51、66、74、100、144

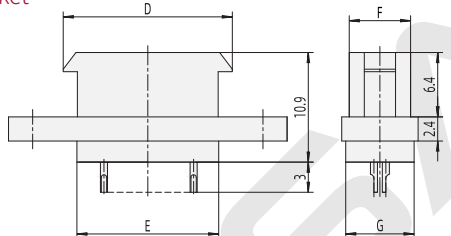
Plug/Receptacle Type: Z - Receptacle

Contact Type: K - Socket Contact

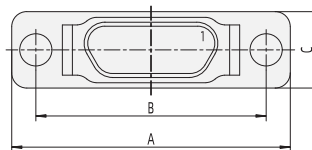
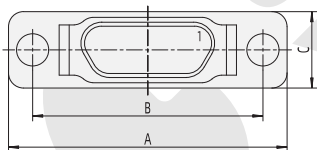
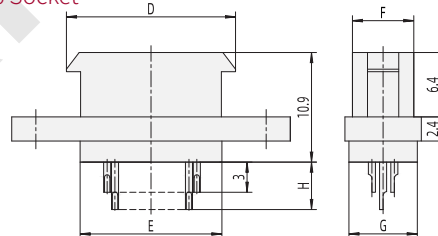
Termination Style: S - Solder Cup



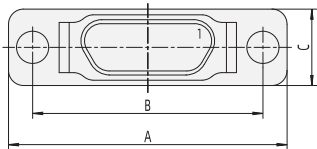
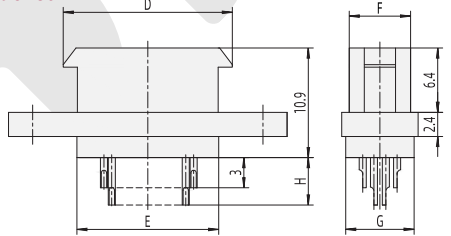
9~37 Socket



51~66 Socket



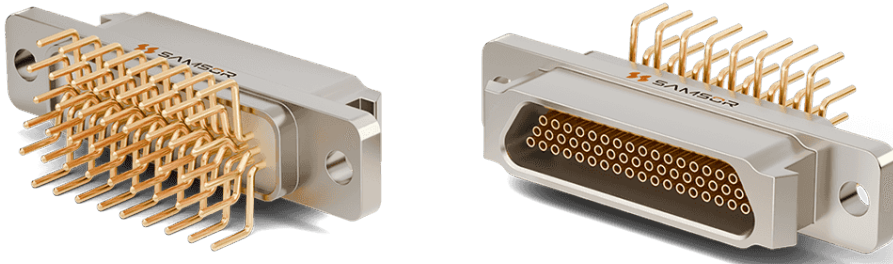
74~144 Socket



Type	A	B	C	D	E	F	G	H
J30JA-9ZKS	23.4	18.6	7.6	14.3	9.8	6.5	6.8	/
J30JA-15ZKS	27.4	22.6	7.6	18.3	13.8	6.5	6.8	/
J30JA-21ZKS	31.1	26.3	7.6	22	17.5	6.5	6.8	/
J30JA-25ZKS	33.7	28.9	7.6	24.6	20.1	6.5	6.8	/
J30JA-31ZKS	37.5	32.7	7.6	28.4	24.1	6.5	6.8	/
J30JA-37ZKS	41.4	36.6	7.6	32.3	27.8	6.5	6.8	/
J30JA-51ZKS	40.1	35.3	8.7	31	26.5	7.6	7.9	5
J30JA-66ZKS	46.5	41.7	8.7	37.4	33	7.6	7.9	5
J30JA-74ZKS	42.6	37.8	9.8	33.5	29	8.7	9	5
J30JA-100ZKS	50.1	45.3	9.8	41	36.5	8.7	9	5
J30JA-144ZKS	64.1	59.3	9.8	55	50.6	8.7	9.1	5

**Quick - Lock Vertical PCB Receptacle J30JA-ZKN**

J30JA	-	51	Z	K	N	V
-------	---	----	---	---	---	---



Series: J30JA

Contact Layout: 9, 15, 21, 25, 31, 37, 51, 66, 74, 100, 144

Plug/Receptacle Type: Z - Receptacle

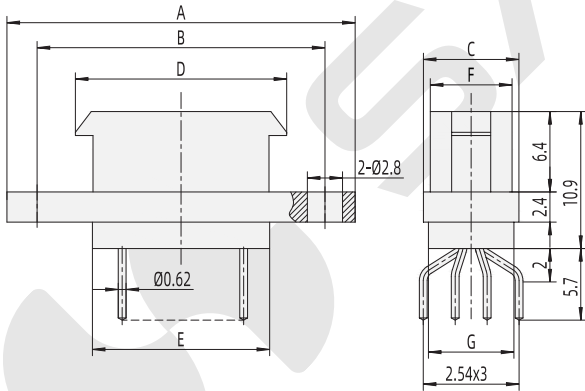
Contact Type: K - Socket Contact

Termination Style: N - Vertical PCB

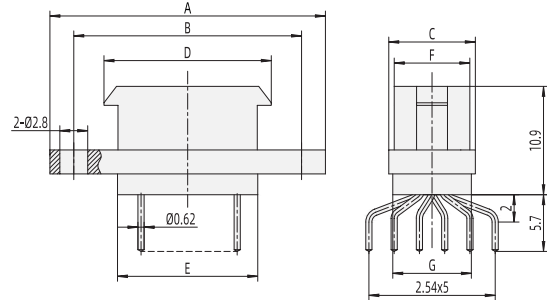
Hardware Type: V - type. For other types, refer to the "J30J Series hardware" section



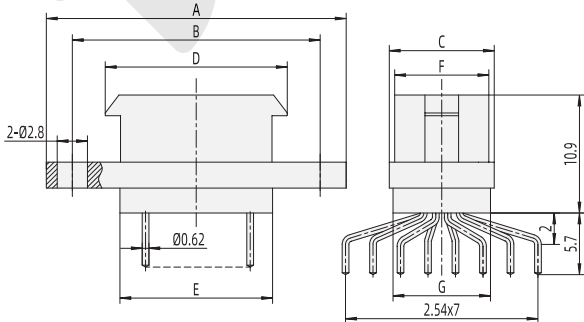
9~37 Socket



51~66 Socket



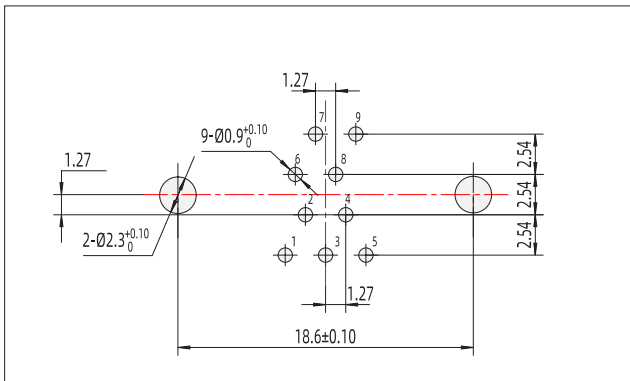
74~144 Socket



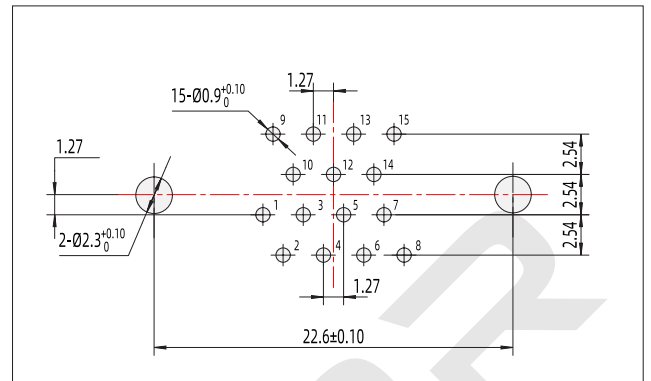
Type	A	B	C	D	E	F	G
J30JA-9ZKN	23.4	18.6	7.6	14.3	9.8	6.5	6.8
J30JA-15ZKN	27.4	22.6	7.6	18.3	13.8	6.5	6.8
J30JA-21ZKN	31.1	26.3	7.6	22	17.5	6.5	6.8
J30JA-25ZKN	33.7	28.9	7.6	24.6	20.1	6.5	6.8
J30JA-31ZKN	37.5	32.7	7.6	28.4	24.1	6.5	6.8
J30JA-37ZKN	41.4	36.6	7.6	32.3	27.8	6.5	6.8
J30JA-51ZKN	40.1	35.3	8.7	31	26.5	7.6	7.9
J30JA-66ZKN	46.5	41.7	8.7	37.4	33	7.6	7.9
J30JA-74ZKN	42.6	37.8	9.8	33.5	29	8.7	9
J30JA-100ZKN	50.1	45.3	9.8	41	36.5	8.7	9
J30JA-144ZK	64.1	59.3	9.8	55	50.6	8.7	9.1

## J30JA-ZKN PCB Cutout Dimensions

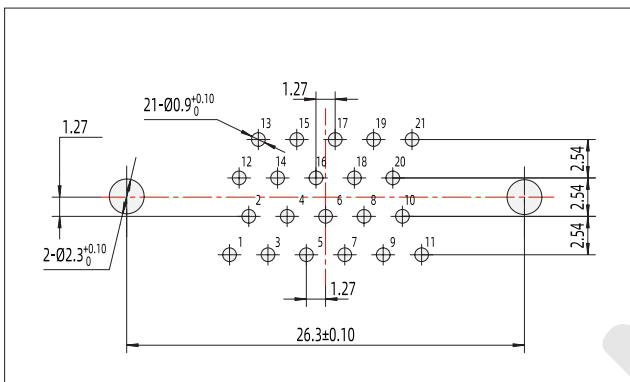
Connector-to-PCB Orientation View



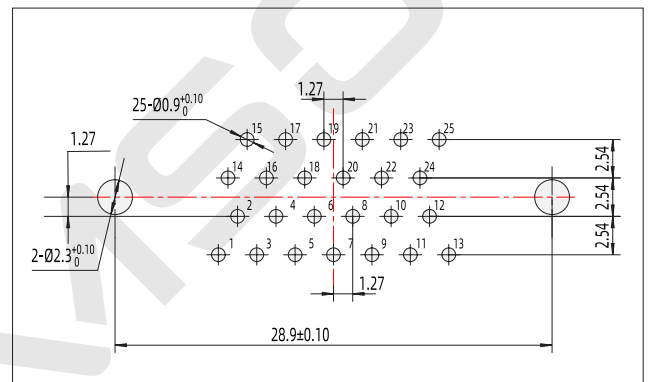
**J30JA-9ZKN**



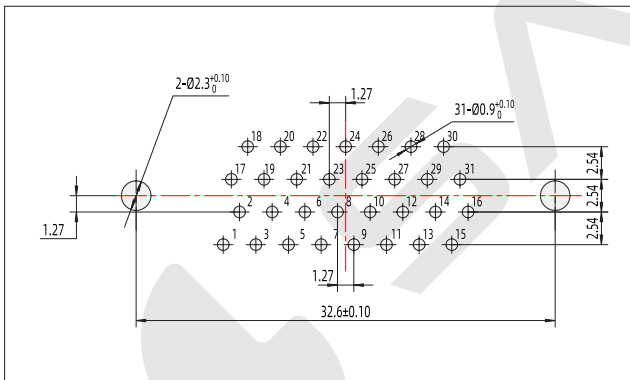
**J30JA-15ZKN**



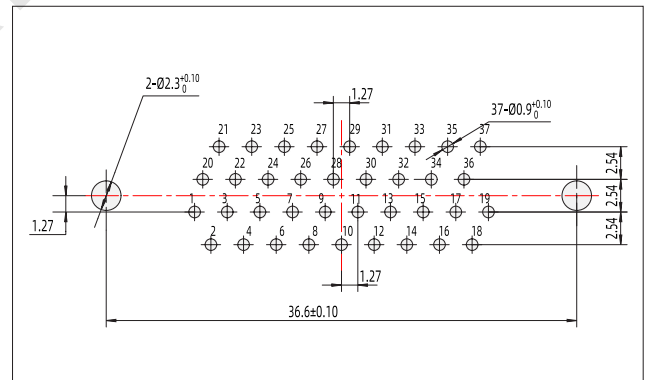
**J30JA-21ZKN**



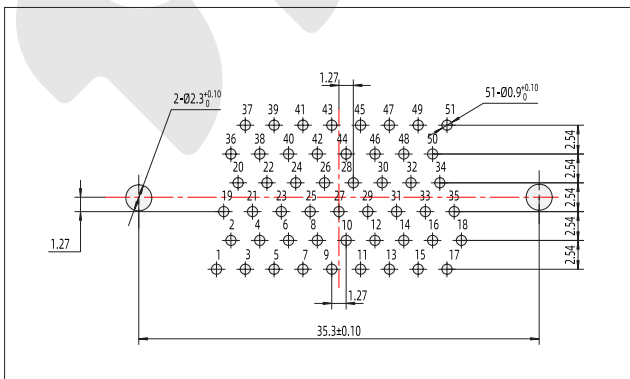
**J30JA-25ZKN**



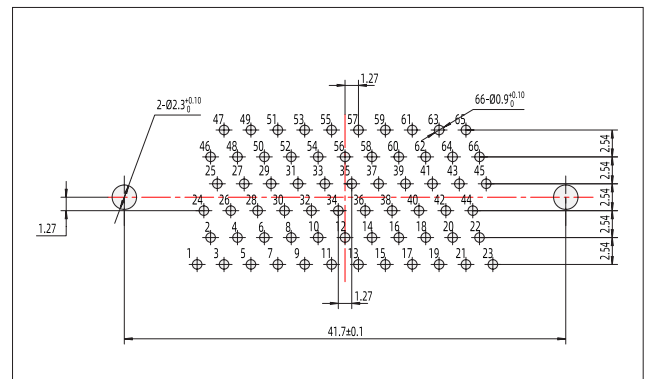
**J30JA-31ZKN**



**J30JA-37ZKN**



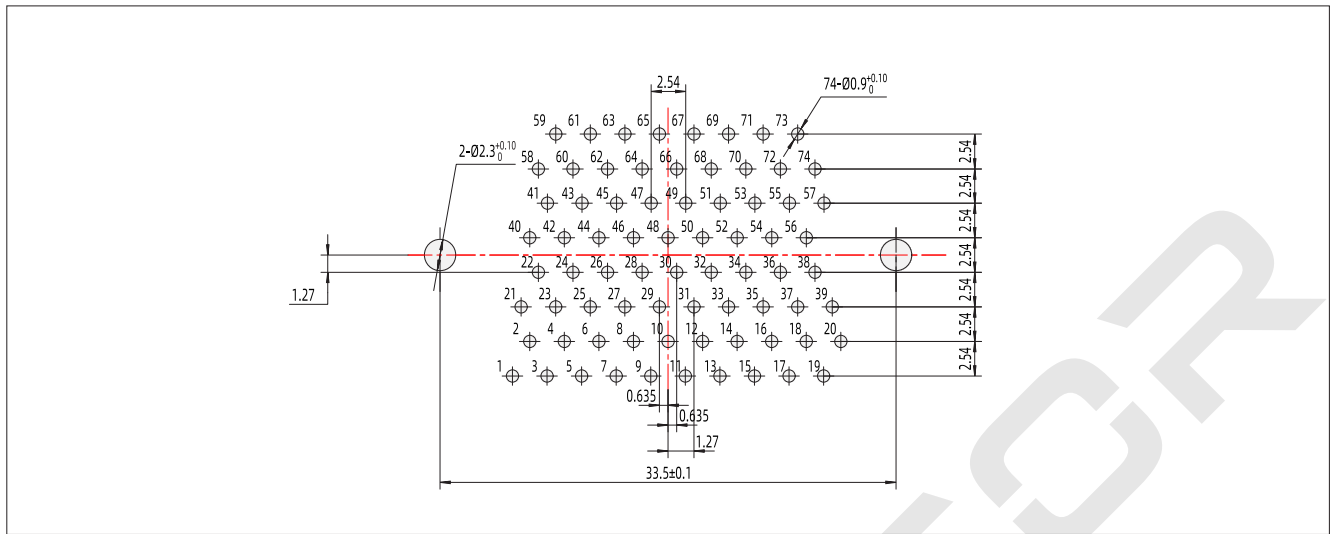
**J30JA-51ZKN**



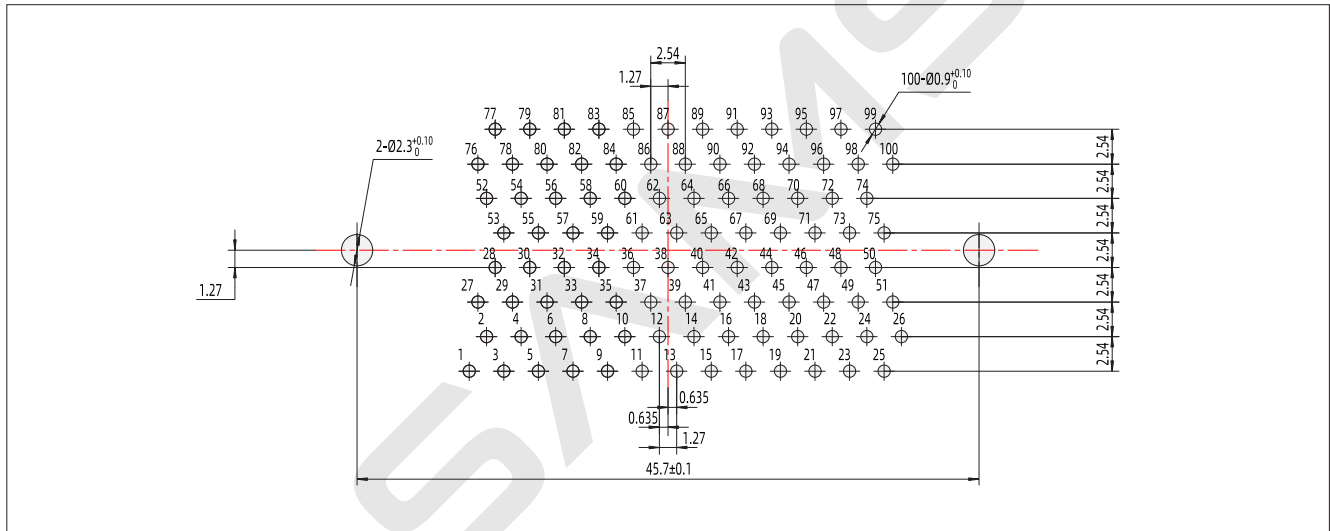
**J30JA-66ZKN**

**J30JA-ZKN PCB Cutout Dimensions**

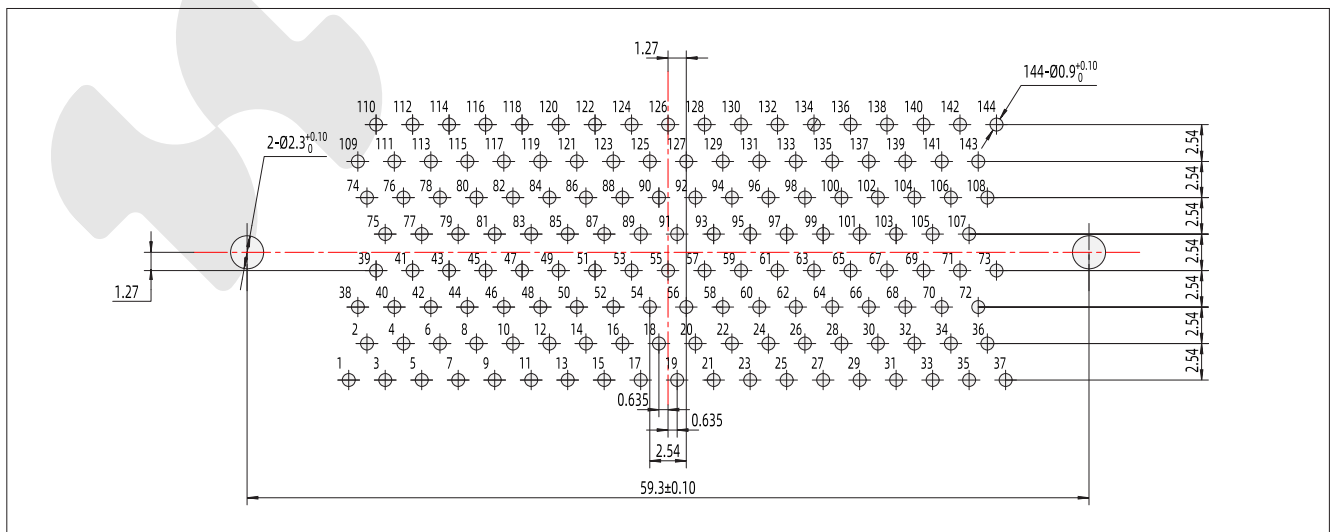
Connector-to-PCB Orientation View



**J30JA-74ZKN**



**J30JA-100ZKN**



**J30JA-144ZKN**

## Quick - Lock Vertical PCB Receptacle J30JA-ZKN-J

J30JA - 51 Z K N V - J



**Series:** J30JA

**Contact Layout:** 9、15、21、25、31、37、51、66、74、100、144

**Plug/Receptacle Type:** Z - Receptacle

**Contact Type:** K - Socket Contact

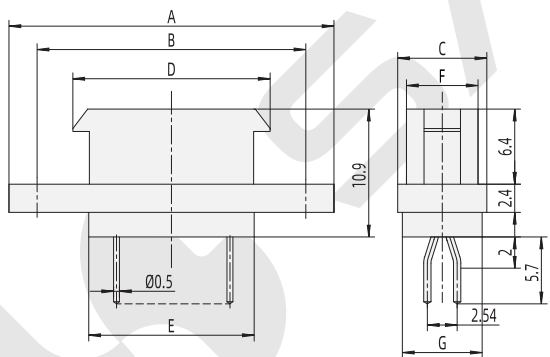
**Termination Style:** N - Vertical PCB

**Hardware Type:** V - type. For other types, refer to the "J30J Series hardware" section

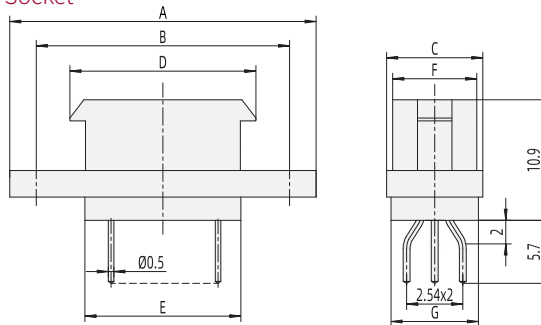
**Modified Style:** Type J, grid pitch 1.27mm × 2.54mm



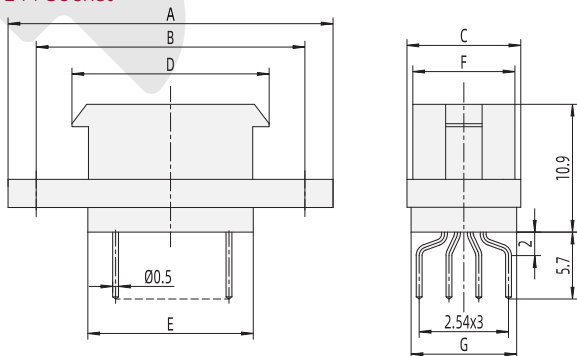
9~37 Socket



51~66 Socket



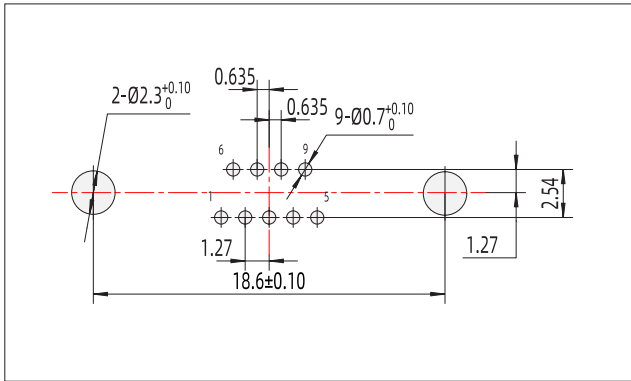
74~144 Socket



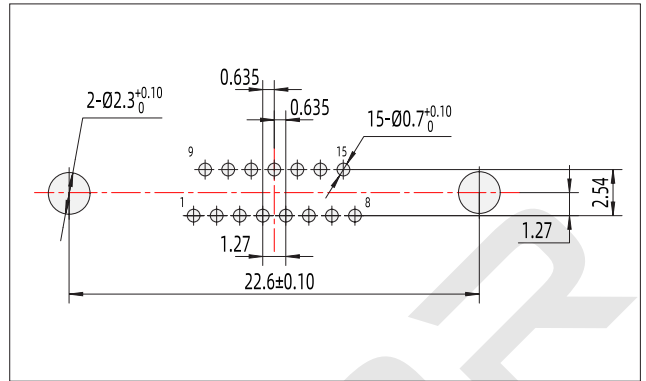
Type	A	B	C	D	E	F	G
J30JA-9ZKN-J	23.4	18.6	7.6	14.3	9.8	6.5	6.8
J30JA-15ZKN-J	27.4	22.6	7.6	18.3	13.8	6.5	6.8
J30JA-21ZKN-J	31.1	26.3	7.6	22	17.5	6.5	6.8
J30JA-25ZKN-J	33.7	28.9	7.6	24.6	20.1	6.5	6.8
J30JA-31ZKN-J	37.5	32.7	7.6	28.4	24.1	6.5	6.8
J30JA-37ZKN-J	41.4	36.6	7.6	32.3	27.8	6.5	6.8
J30JA-51ZKN-J	40.1	35.3	8.7	31	26.5	7.6	7.9
J30JA-66ZKN-J	46.5	41.7	8.7	37.4	33	7.6	7.9
J30JA-74ZKN-J	42.6	37.8	9.8	33.5	29	8.7	9
J30JA-100ZKN-J	50.1	45.3	9.8	41	36.5	8.7	9
J30JA-144ZKN-J	64.1	59.3	9.8	55	50.6	8.7	9.1

**J30JA-ZKN-J PCB Cutout Dimensions**

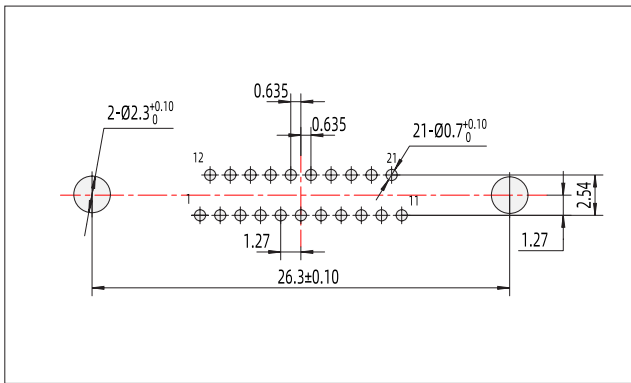
*Connector-to-PCB Orientation View*



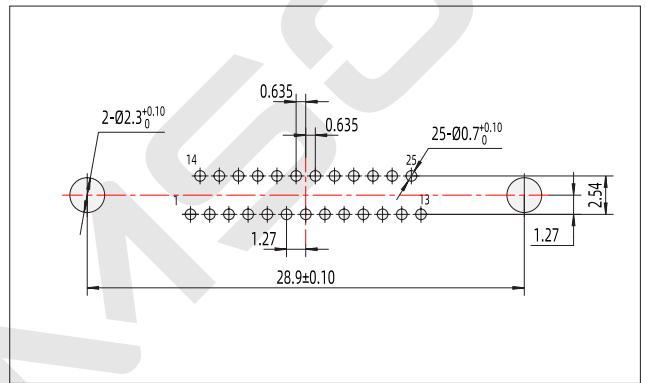
**J30JA-9ZKN-J**



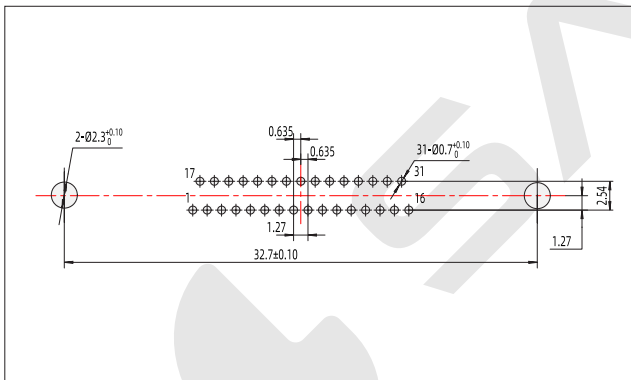
**J30JA-15ZKN-J**



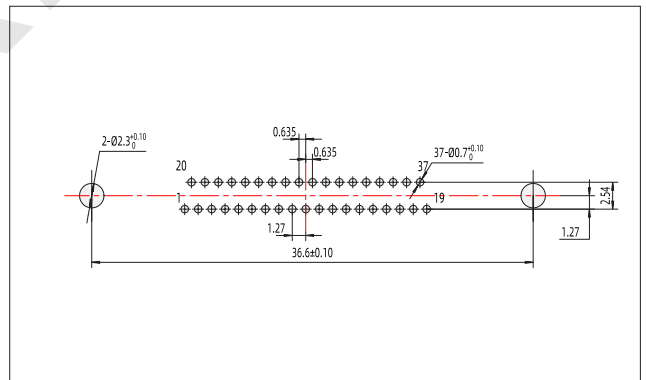
**J30JA-21ZKN-J**



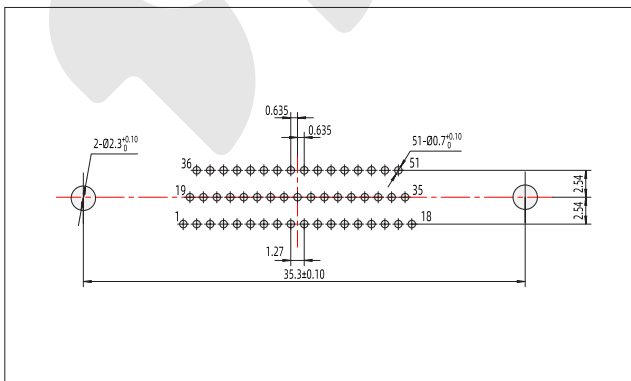
**J30JA-25ZKN-J**



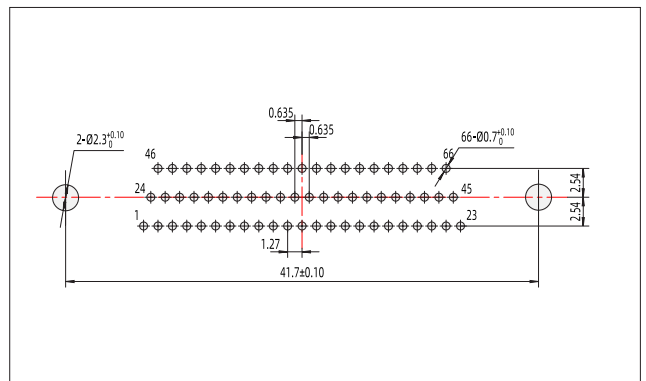
**J30JA-31ZKN-J**



**J30JA-37ZKN-J**



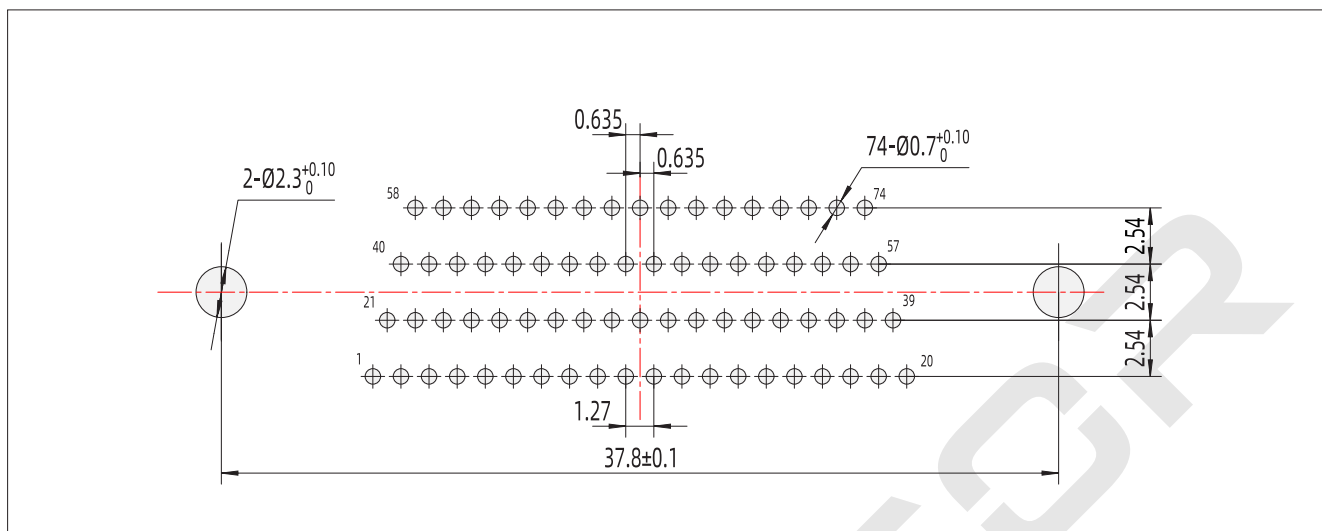
**J30JA-51ZKN-J**



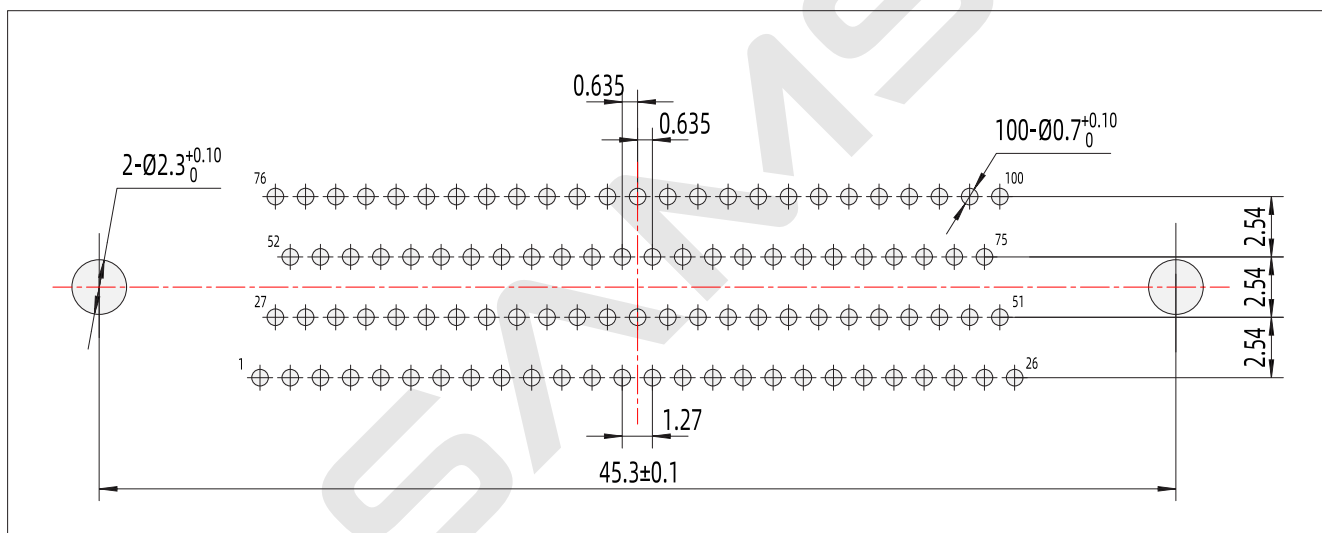
**J30JA-66ZKN-J**

**J30JA-ZKN-J PCB Cutout Dimensions**

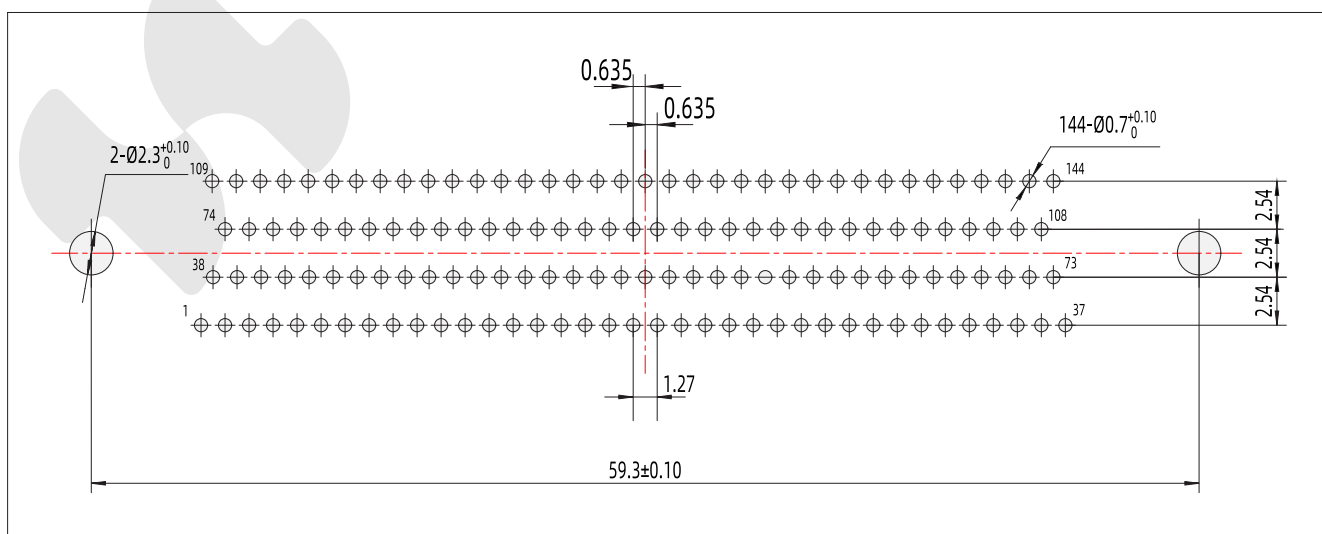
Connector-to-PCB Orientation View



**J30JA-74ZKN-J**



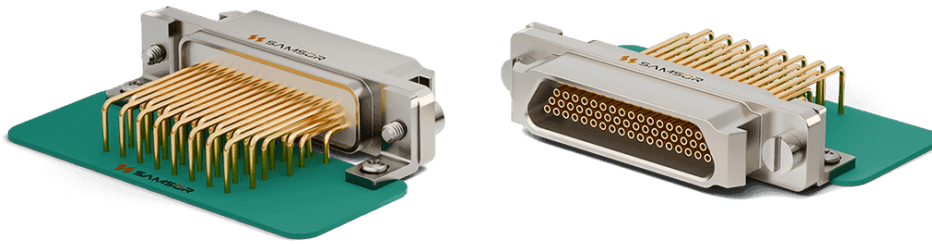
**J30JA-100ZKN-J**



**J30JA-144ZKN-J**

**Quick - Lock Right Angle PCB Receptacle J30JA-ZKW**

J30JA	-	51	Z	K	W	V1
-------	---	----	---	---	---	----



Series: J30JA

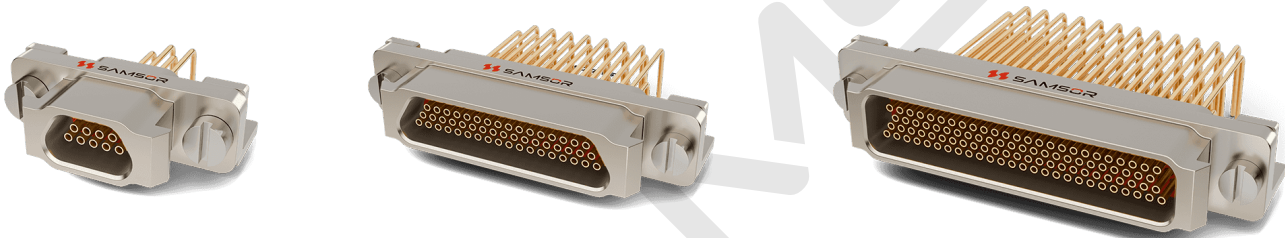
Contact Layout: 9, 15, 21, 25, 31, 37, 51, 66, 74, 100, 144

Plug/Receptacle Type: Z - Receptacle

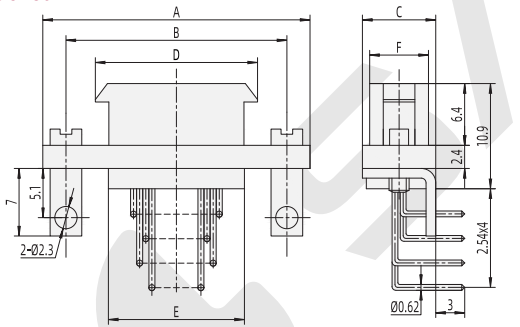
Contact Type: K - Socket Contact

Termination Style: W - Right Angle PCB

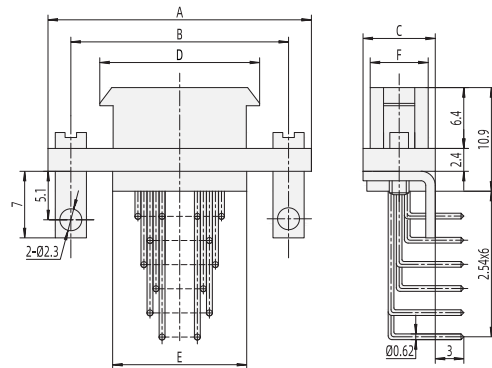
Hardware Type: V1 - type. For other types, refer to the "J30J Series hardware" section



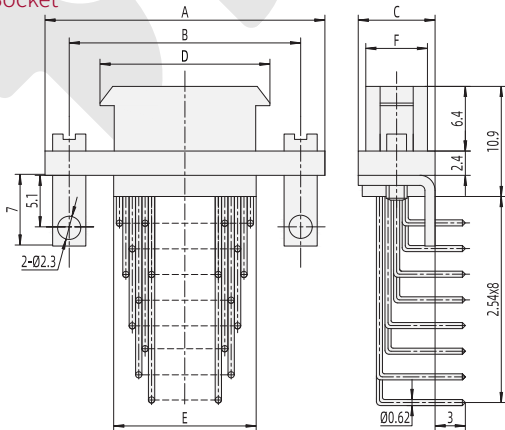
9~37 Socket



51~66 Socket



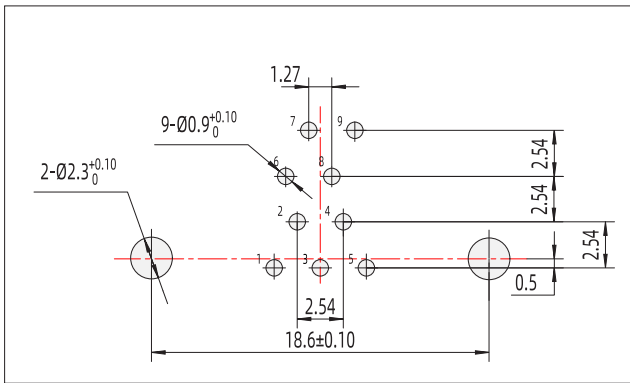
74~144 Socket



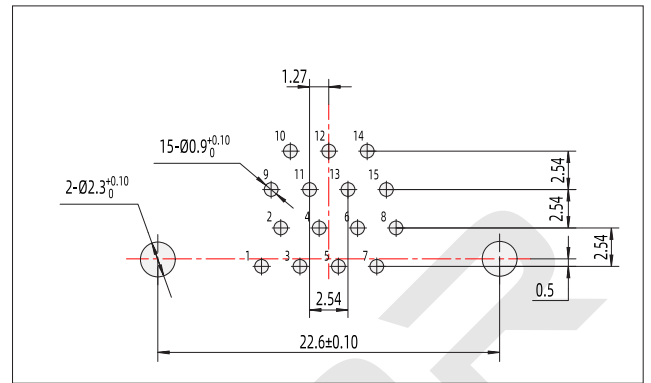
Type	A	B	C	D	E	F
J30JA-9ZKW	23.4	18.6	7.6	14.3	9.8	6.5
J30JA-15ZKW	27.4	22.6	7.6	18.3	13.8	6.5
J30JA-21ZKW	31.1	26.3	7.6	22	17.5	6.5
J30JA-25ZKW	33.7	28.9	7.6	24.6	20.1	6.5
J30JA-31ZKW	37.5	32.7	7.6	28.4	24.1	6.5
J30JA-37ZKW	41.4	36.6	7.6	32.3	27.8	6.5
J30JA-51ZKW	40.1	35.3	8.7	31	26.5	7.6
J30JA-66ZKW	46.5	41.7	8.7	37.4	33	7.6
J30JA-74ZKW	42.6	37.8	9.8	33.5	29	8.7
J30JA-100ZKW	50.1	45.3	9.8	41	36.5	8.7
J30JA-144ZKW	64.1	59.3	9.8	55	50.6	8.7

**J30JA-ZKW PCB Cutout Dimensions**

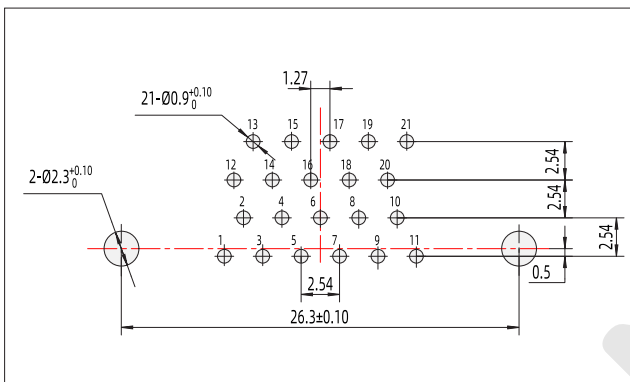
Connector-to-PCB Orientation View



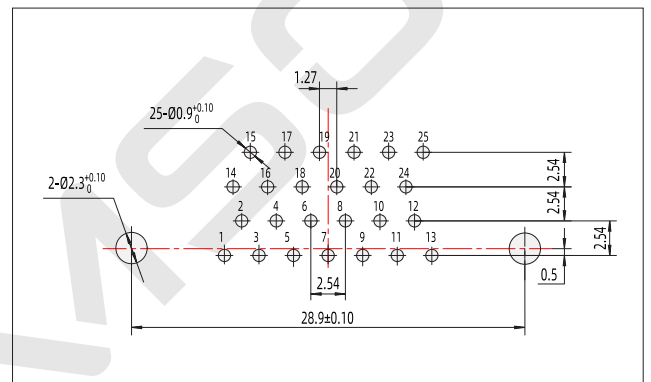
**J30JA-9ZKW**



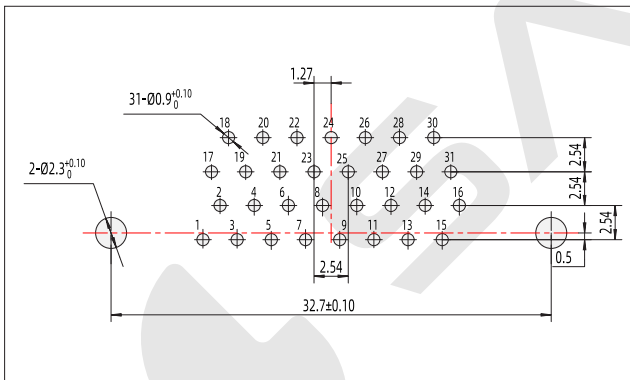
**J30JA-15ZKW**



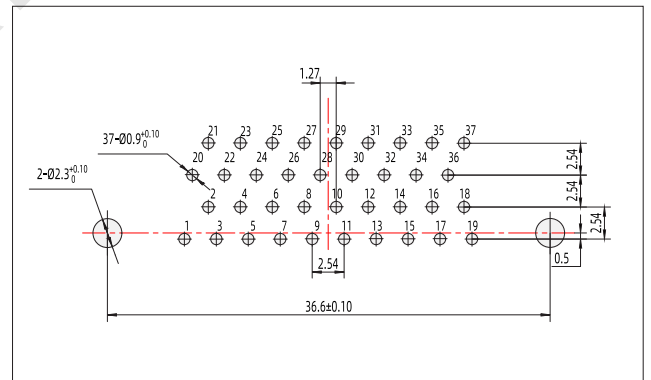
**J30JA-21ZKW**



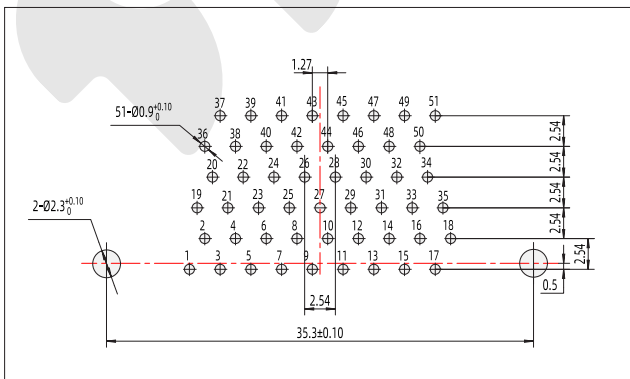
**J30JA-25ZKW**



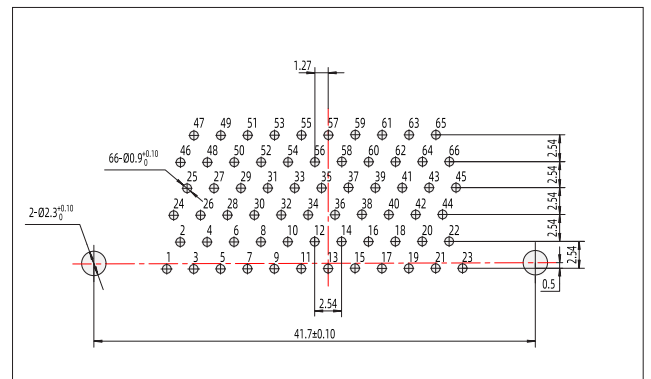
**J30JA-31ZKW**



**J30JA-37ZKW**



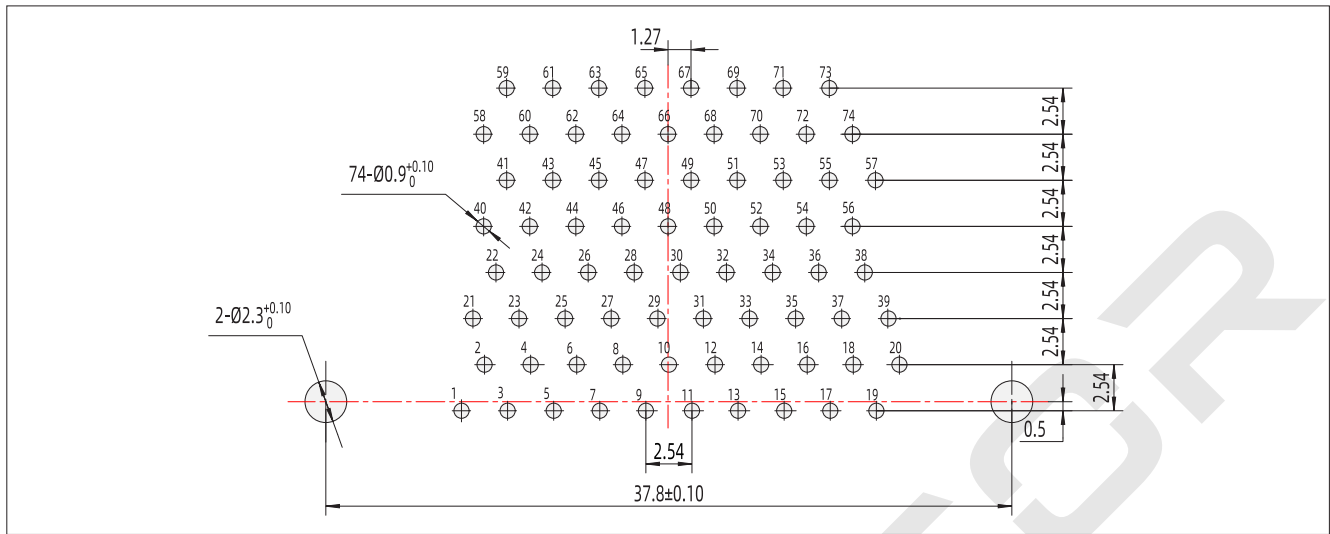
**J30JA-51ZKW**



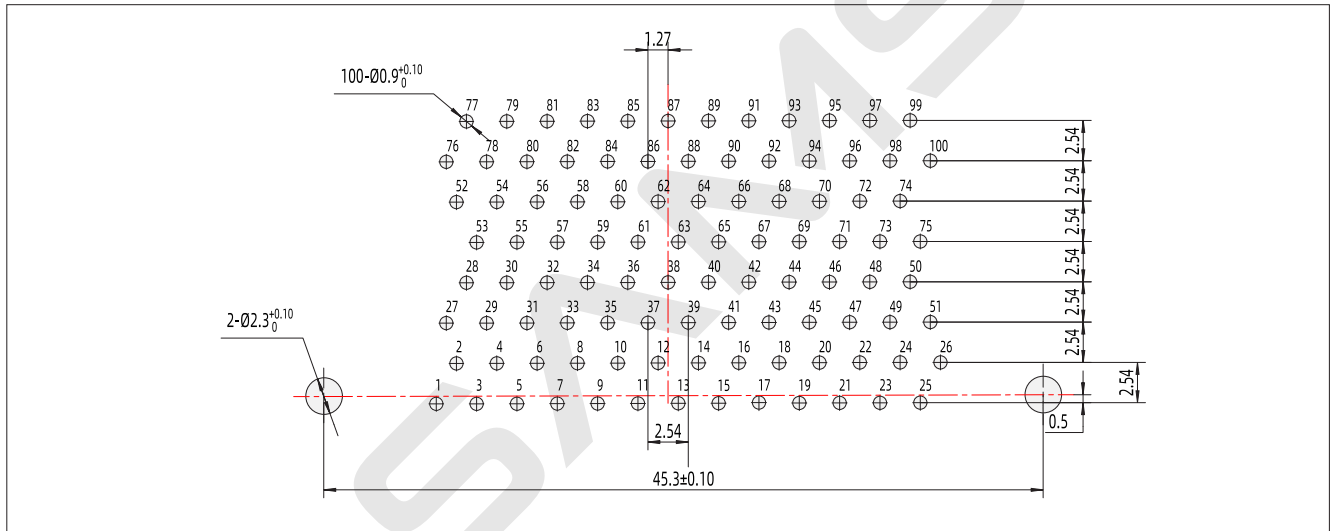
**J30JA-66ZKW**

**J30JA-ZKW PCB Cutout Dimensions**

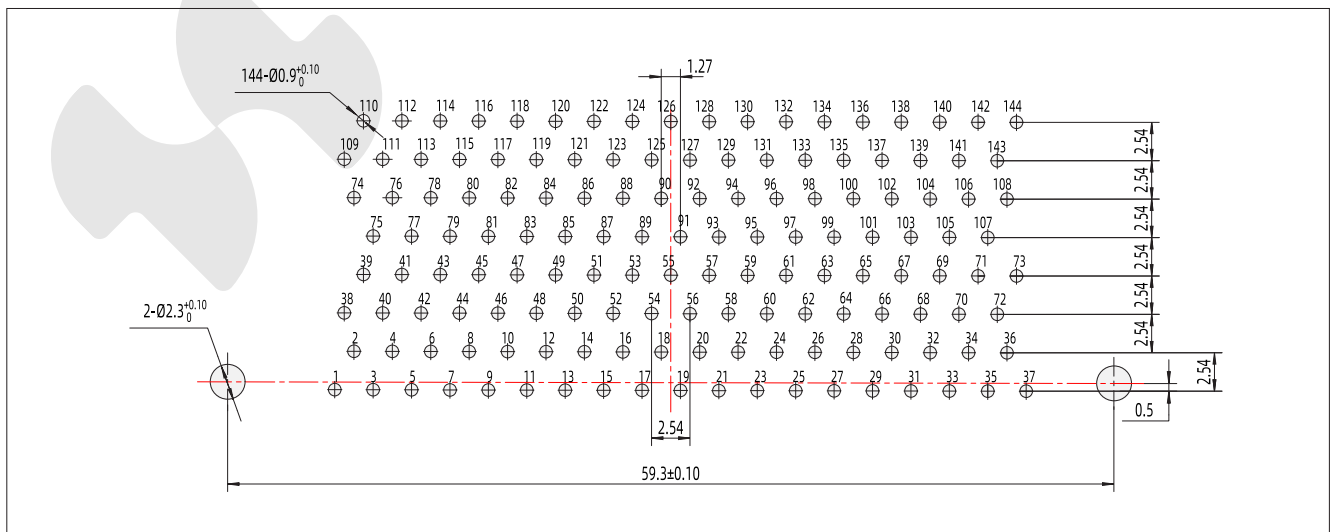
Connector-to-PCB Orientation View



**J30JA-74ZKW**



**J30JA-100ZKW**



**J30JA-144ZKW**

Quick - Lock Right Angle PCB Receptacle J30JA-ZKW-J

J30JA - 51 Z K W V1 - J



Series: J30JA

Contact Layout: 9、15、21、25、31、37、51、66、74、100、144

Plug/Receptacle Type: Z - Receptacle

Contact Type: K - Socket Contact

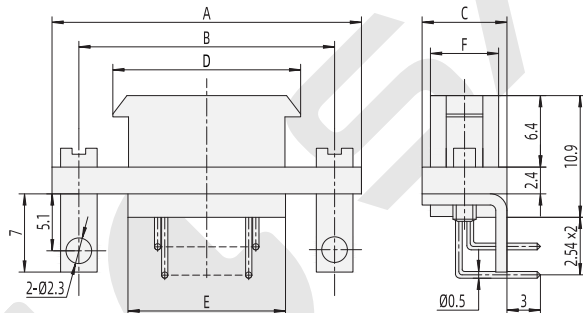
Termination Style: W - Right Angle PCB

Hardware Type: V1 - type. For other types, refer to the "J30J Series hardware" section

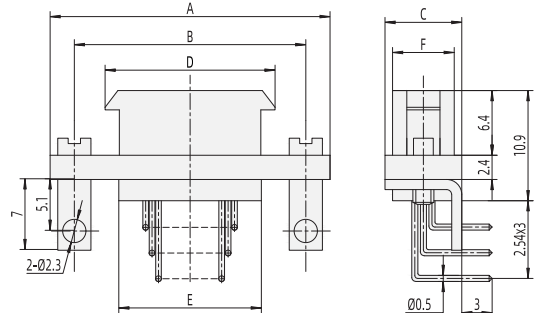
Modified Style: Type J, grid pitch 1.27mm × 2.54mm



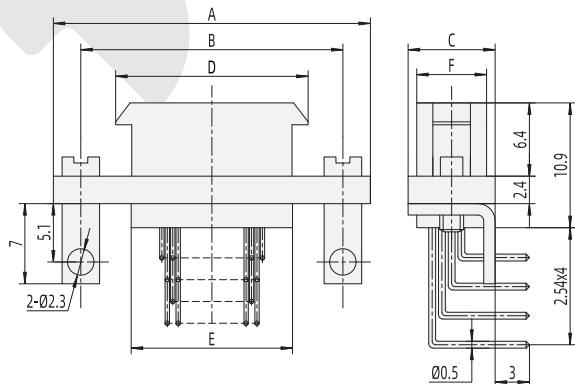
9~37 Socket



51~66 Socket



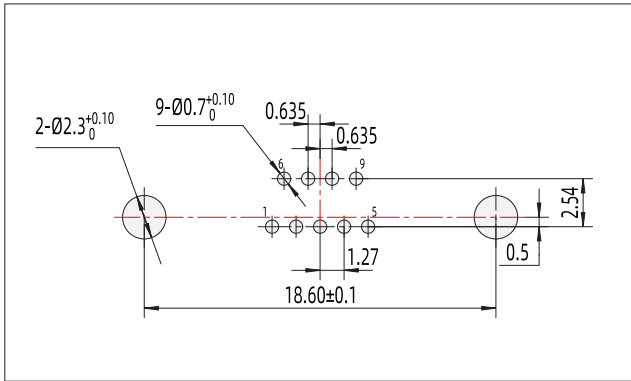
74~144 Socket



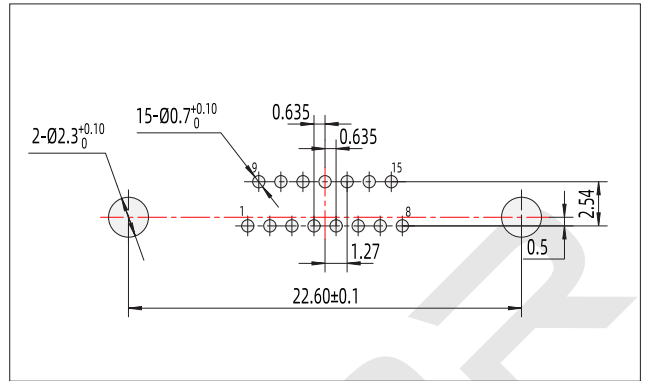
Type	A	B	C	D	E	F
J30JA-9ZKW-J	23.4	18.6	7.6	14.3	9.8	6.5
J30JA-15ZKW-J	27.4	22.6	7.6	18.3	13.8	6.5
J30JA-21ZKW-J	31.1	26.3	7.6	22	17.5	6.5
J30JA-25ZKW-J	33.7	28.9	7.6	24.6	20.1	6.5
J30JA-31ZKW-J	37.5	32.7	7.6	28.4	24.1	6.5
J30JA-37ZKW-J	41.4	36.6	7.6	32.3	27.8	6.5
J30JA-51ZKW-J	40.1	35.3	8.7	31	26.5	7.6
J30JA-66ZKW-J	46.5	41.7	8.7	37.4	33	7.6
J30JA-74ZKW-J	42.6	37.8	9.8	33.5	29	8.7
J30JA-100ZKW-J	50.1	45.3	9.8	41	36.5	8.7
J30JA-144ZKW-J	64.1	59.3	9.8	55	50.6	8.7

**J30JA-ZKW-J PCB Cutout Dimensions**

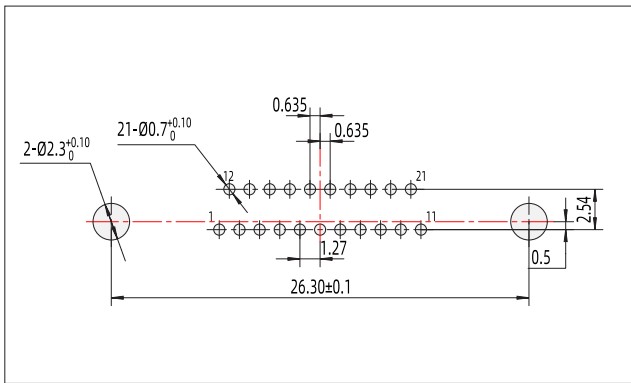
*Connector-to-PCB Orientation View*



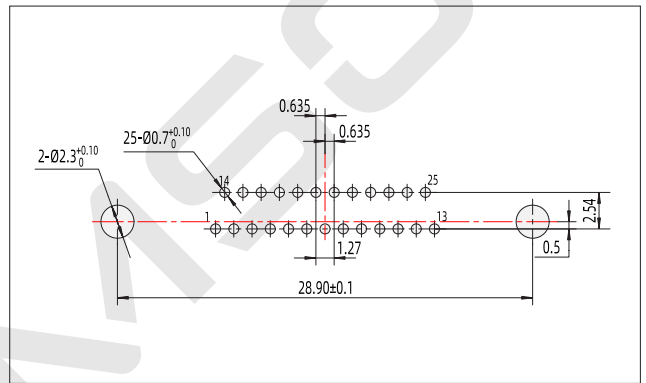
**J30JA-9ZKW-J**



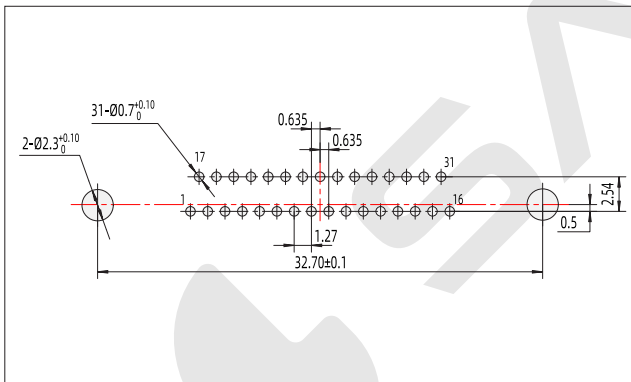
**J30JA-15ZKW-J**



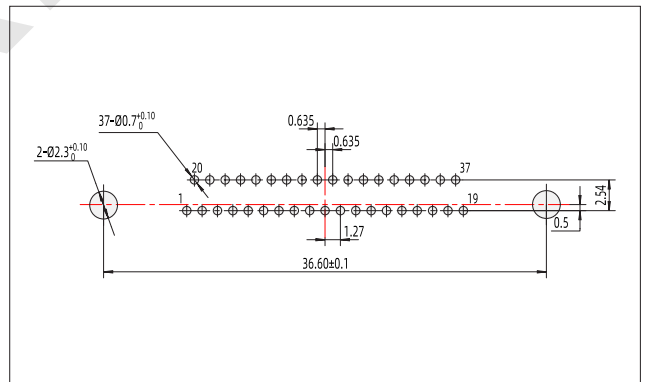
**J30JA-21ZKW-J**



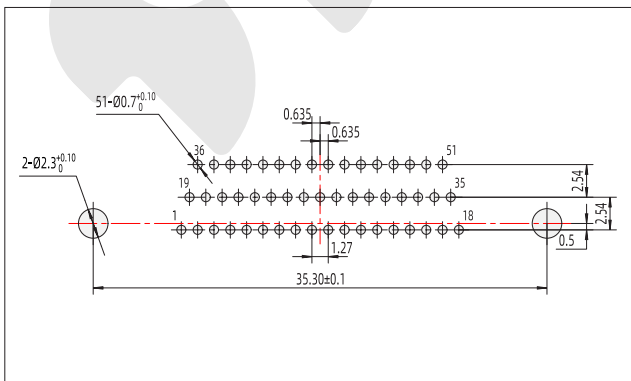
**J30JA-25ZKW-J**



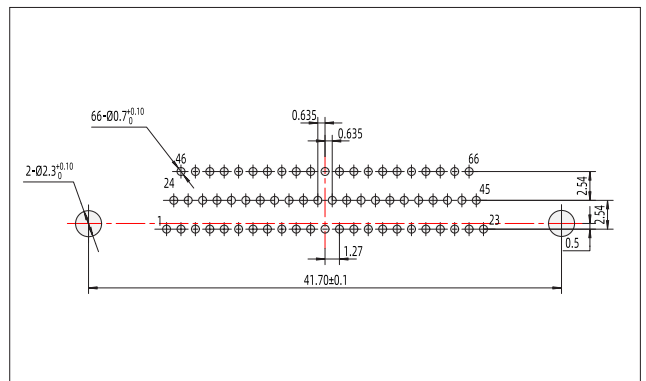
**J30JA-31ZKW-J**



**J30JA-37ZKW-J**



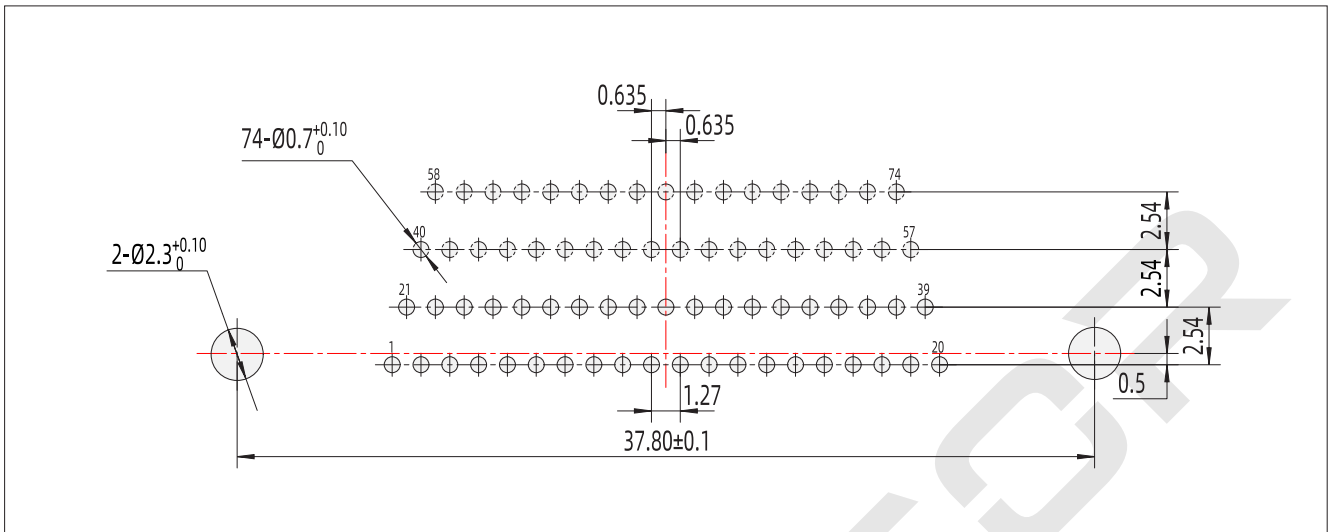
**J30JA-51ZKW-J**



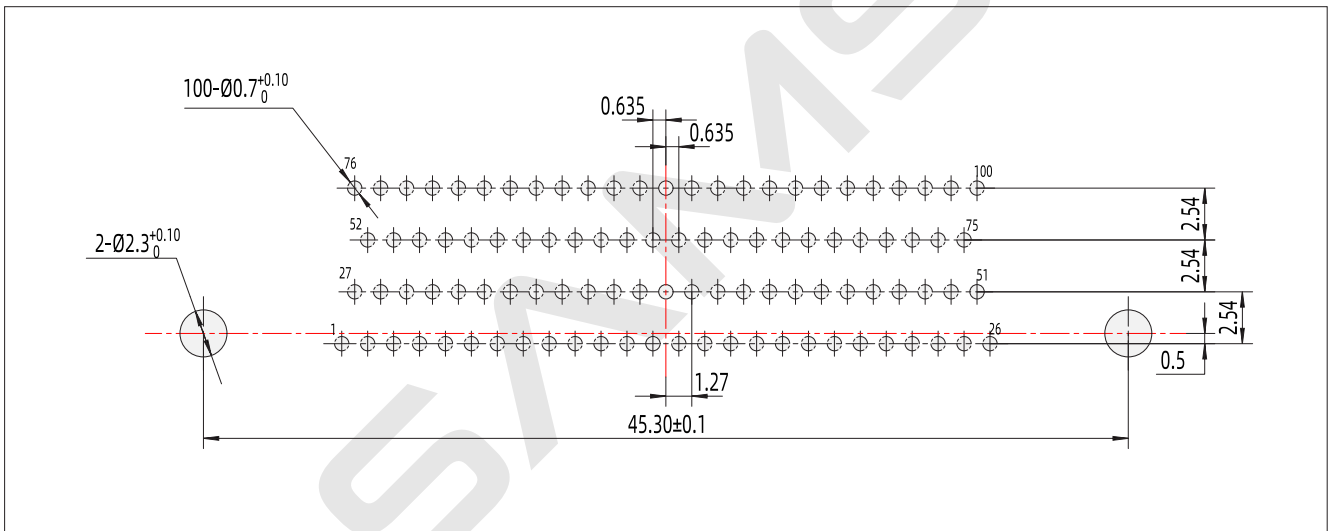
**J30JA-66ZKW-J**

**J30JA-ZKW-J PCB Cutout Dimensions**

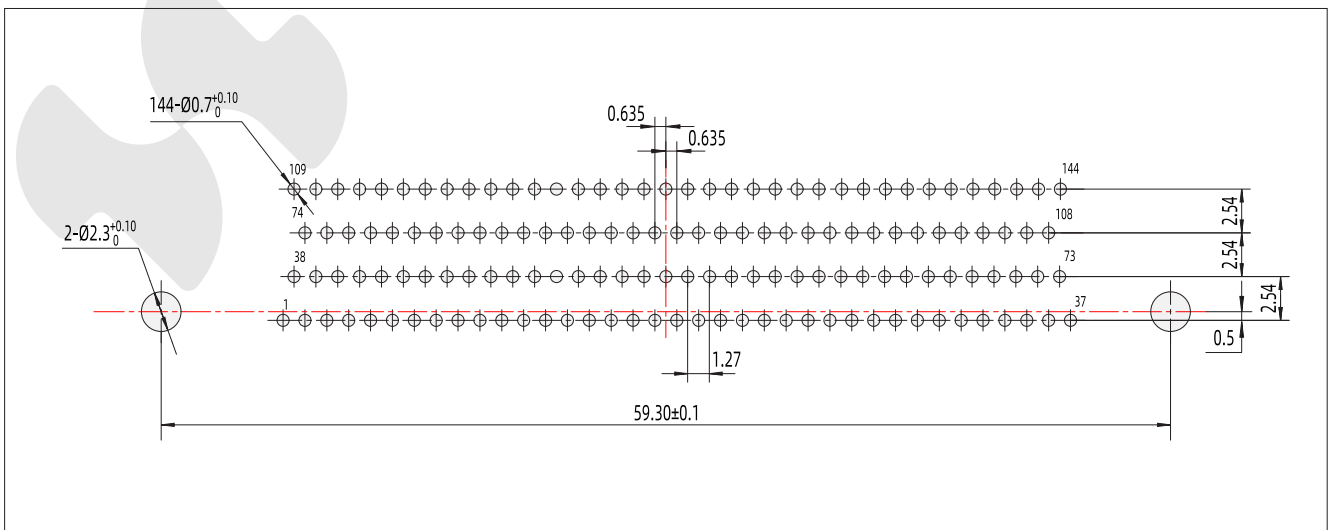
Connector-to-PCB Orientation View



**J30JA-74ZKW-J**



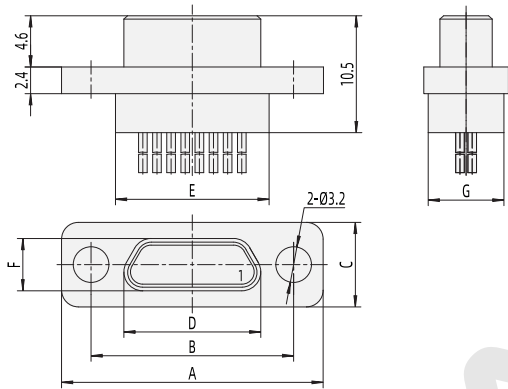
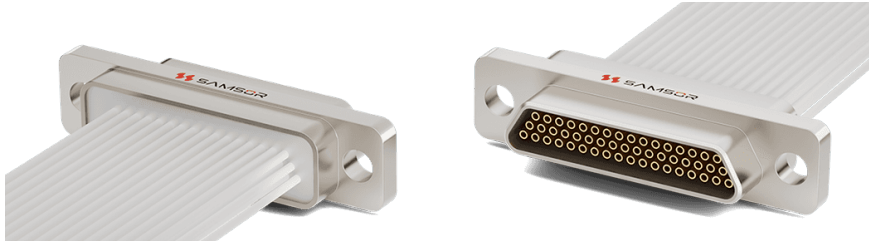
**J30JA-100ZKW-J**



**J30JA-144ZKW-J**

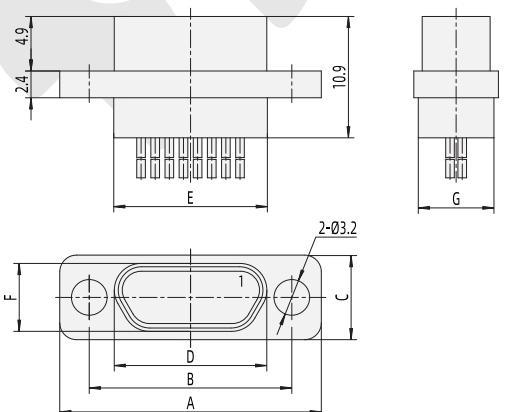
- The J30JR series features a reversed contact configuration compared to the standard J30J series: the plug with socket contacts, and the receptacle with pin contacts
- The pinout of J30JR products is opposite to that of standard J30J products. The PCB cutout dimensions are listed separately below

### Plug with Socket Contacts - Pre-wired **J30JR-TK**



Type	A	B	C	D	E	F	G
J30JR-9TK	19.6	14.3	7.6	8.3	9.9	4.7	6.8
J30JR-15TK	23.5	18.2	7.6	12.3	13.8	4.7	6.8
J30JR-21TK	27.4	22	7.6	16	17.6	4.7	6.8
J30JR-25TK	29.8	24.5	7.6	18.6	20.2	4.7	6.8
J30JR-31TK	33.6	28.3	7.6	22.4	24	4.7	6.8
J30JR-37TK	37.4	32.2	7.6	26.3	27.8	4.7	6.8
J30JR-51TK	36.4	30.86	8.7	25	26.6	5.8	7.9
J30JR-66TK	42.9	37.3	8.7	31.4	33	5.8	7.9
J30JR-74TK	38.8	33.5	9.7	27.5	29.1	6.8	9.1
J30JR-100TK	54.7	45.7	9.7	35	36.6	6.8	9.1
J30JR-144TK	66.6	58.6	9.7	49	50.6	6.8	9.1

### Receptacle with Pin Contacts - Pre-wired **J30JR-ZJ**

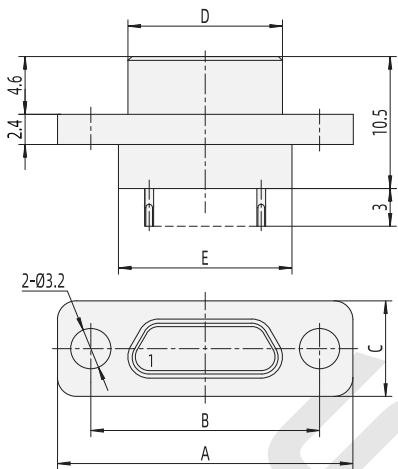


Type	A	B	C	D	E	F	G
J30JR-9ZJ	19.6	14.3	7.6	9.8	9.9	6.1	6.8
J30JR-15ZJ	23.5	18.2	7.6	13.7	13.8	6.1	6.8
J30JR-21ZJ	27.4	22	7.6	17.4	17.6	6.1	6.8
J30JR-25ZJ	29.8	24.5	7.6	20	20.2	6.1	6.8
J30JR-31ZJ	33.6	28.3	7.6	23.8	24	6.1	6.8
J30JR-37ZJ	37.4	32.2	7.6	27.7	27.8	6.1	6.8
J30JR-51ZJ	36.4	30.86	8.7	26.5	26.6	7.2	7.9
J30JR-66ZJ	42.9	37.3	8.7	32.9	33	7.2	7.9
J30JR-74ZJ	38.8	33.5	9.7	29	29.1	8.3	9.1
J30JR-100ZJ	54.7	45.7	9.7	36.6	36.65	8.2	9.1
J30JR-144ZJ	66.6	58.6	9.7	50.6	50.6	8.2	9.1

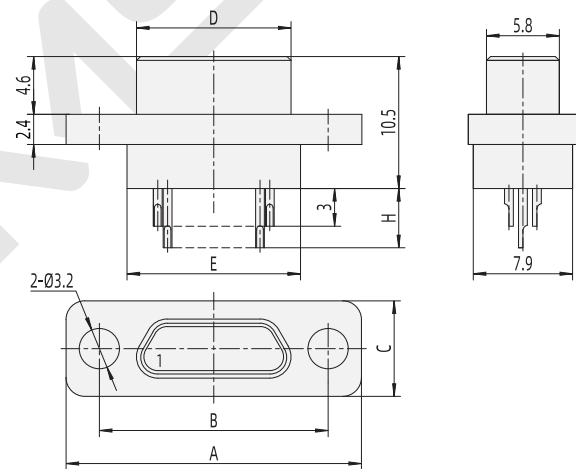
Plug with Socket Contacts - Solder Cup J30JR-TKS



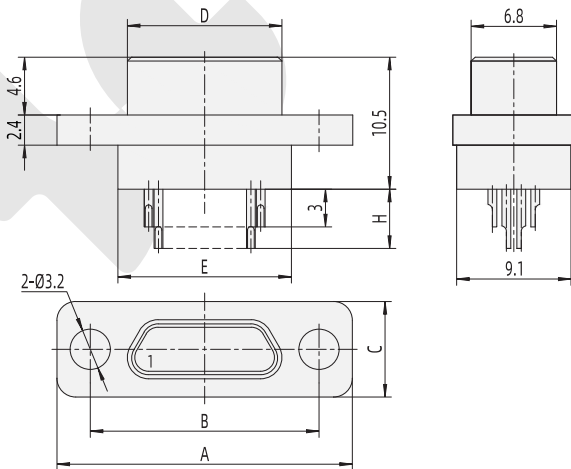
9~37 Socket



51~66 Socket



74~144 Socket



The termination is solder cup, customer can solder the wiring themselves

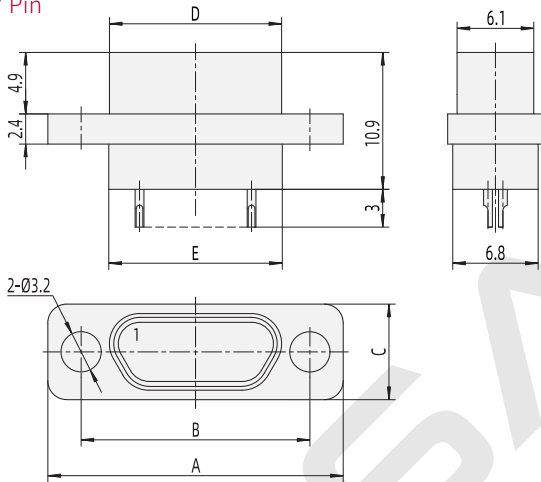
Solder cup inner diameter:  $\Phi 0.5\text{mm}$ , Grid:  $1.1\text{mm} \times 1.27\text{mm}$

Type	A	B	C	D	E	H
J30JR-9TKS	19.6	14.3	7.6	8.3	9.9	/
J30JR-15TKS	23.5	18.2	7.6	12.3	13.8	/
J30JR-21TKS	27.4	22	7.6	16	17.6	/
J30JR-25TKS	29.8	24.5	7.6	18.6	20.2	/
J30JR-31TKS	33.6	28.3	7.6	22.4	24	/
J30JR-37TKS	37.4	32.2	7.6	26.3	27.8	/
J30JR-51TKS	36.4	30.86	8.7	25	26.6	5
J30JR-66TKS	42.9	37.3	8.7	31.4	33	5
J30JR-74TKS	38.8	33.5	9.7	27.5	29.1	5
J30JR-100TKS	54.7	45.7	9.7	35	36.6	5
J30JR-144TKS	66.6	58.6	9.7	49	50.6	5

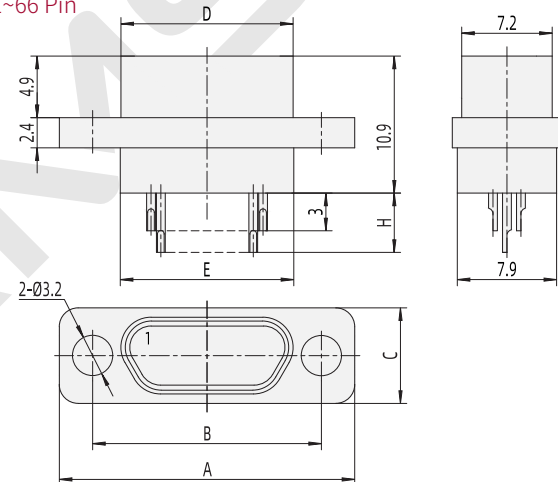
Receptacle with Pin Contacts - Solder Cup **J30JR-ZJS**



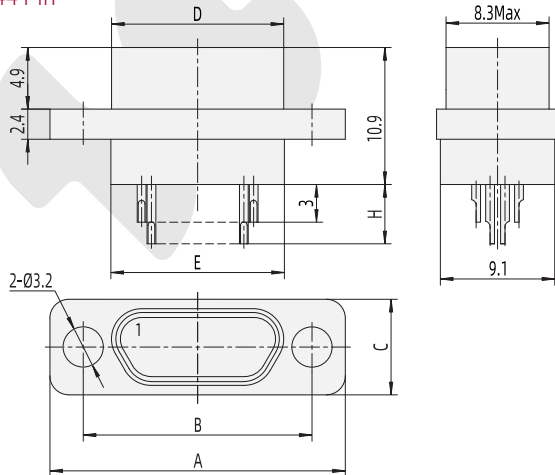
9~37 Pin



51~66 Pin



74~144 Pin

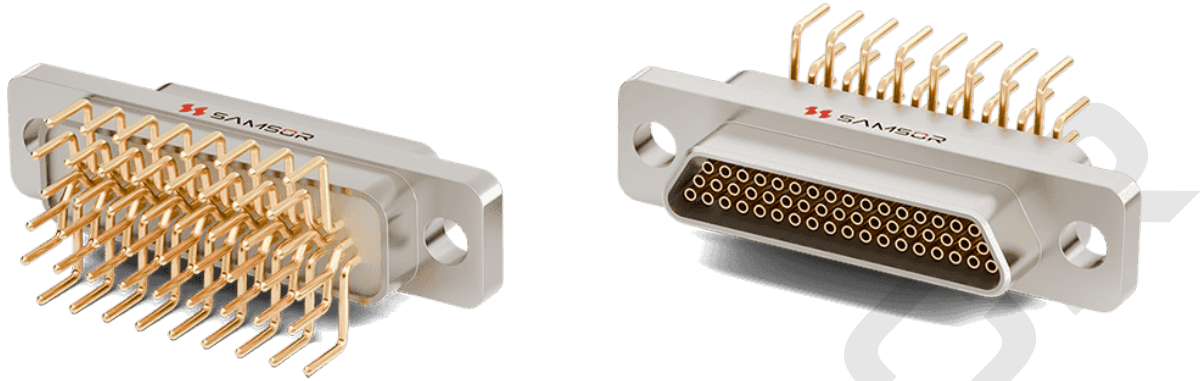


■ The termination is solder cup, customer can solder the wiring themselves

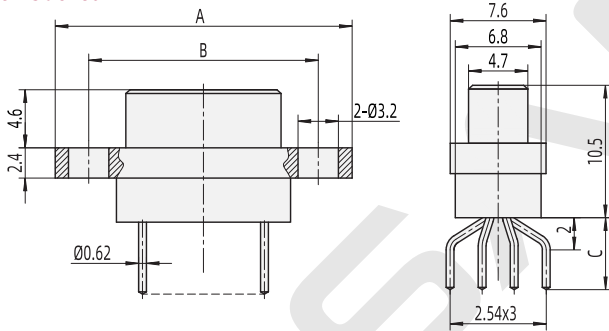
■ Solder cup inner diameter:  $\Phi 0.5\text{mm}$ , Grid:  $1.1\text{mm} \times 1.27\text{mm}$

Type	A	B	C	D	E	H
J30JR-9ZJS	19.6	14.3	7.6	9.8	9.9	/
J30JR-15ZJS	23.5	18.2	7.6	13.7	13.8	/
J30JR-21ZJS	27.4	22	7.6	17.4	17.6	/
J30JR-25ZJS	29.8	24.5	7.6	20	20.2	/
J30JR-31ZJS	33.6	28.3	7.6	23.8	24	/
J30JR-37ZJS	37.4	32.2	7.6	27.7	27.8	/
J30JR-51ZJS	36.4	30.86	8.7	26.5	26.6	5
J30JR-66ZJS	42.9	37.3	8.7	32.9	33	5
J30JR-74ZJS	38.8	33.5	9.7	29	29.1	5
J30JR-100ZJS	54.7	45.7	9.7	36.6	36.65	5
J30JR-144ZJS	66.6	58.6	9.7	50.6	50.6	5

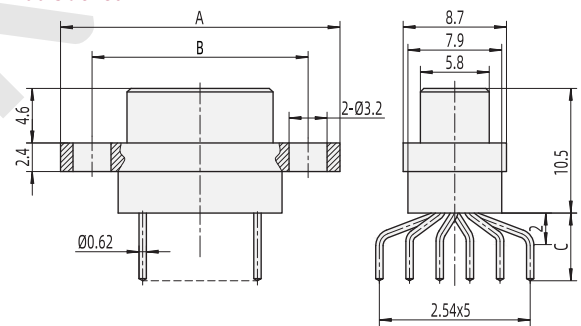
Plug with Socket Contacts - Vertical PCB J30JR-TKN



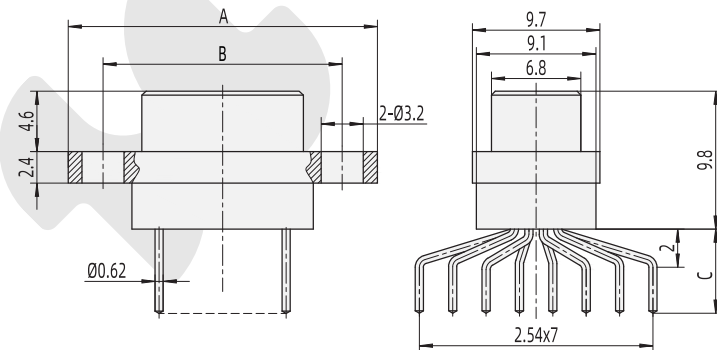
9~37 Socket



51~66 Socket



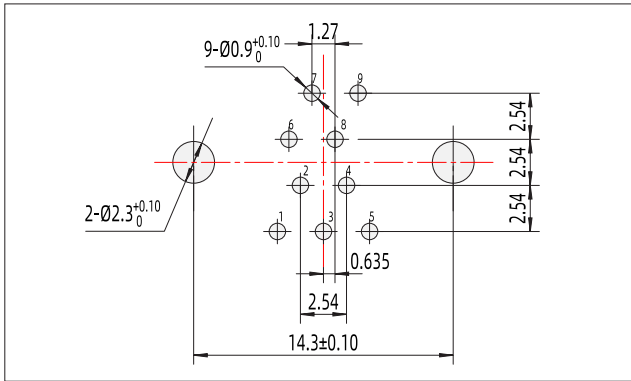
74~144 Socket



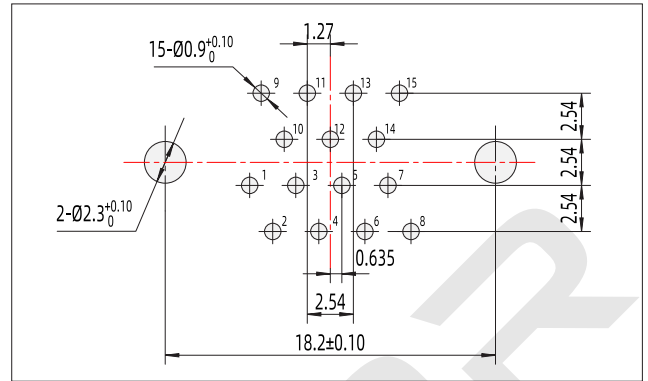
Type	A	B	C
J30JR-9TKN	19.6	14.3	5.7
J30JR-15TKN	23.5	18.2	
J30JR-21TKN	27.4	22	
J30JR-25TKN	29.8	24.5	
J30JR-31TKN	33.6	28.3	
J30JR-37TKN	37.4	32.2	
J30JR-51TKN	36.4	30.86	
J30JR-66TKN	42.9	37.3	6.6
J30JR-74TKN	38.8	33.5	
J30JR-100TKN	54.7	45.7	
J30JR-144TKN	66.6	58.6	

**J30JR-TKN PCB Cutout Dimensions**

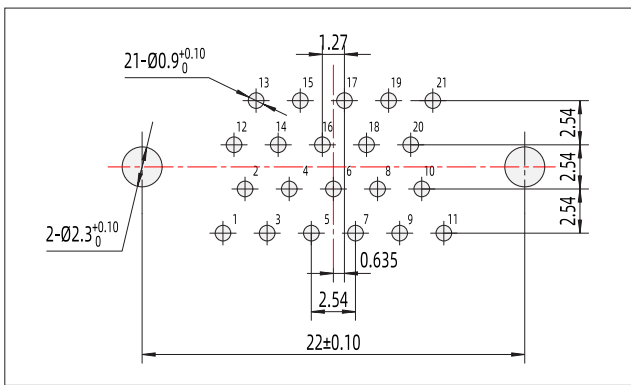
Connector-to-PCB Orientation View



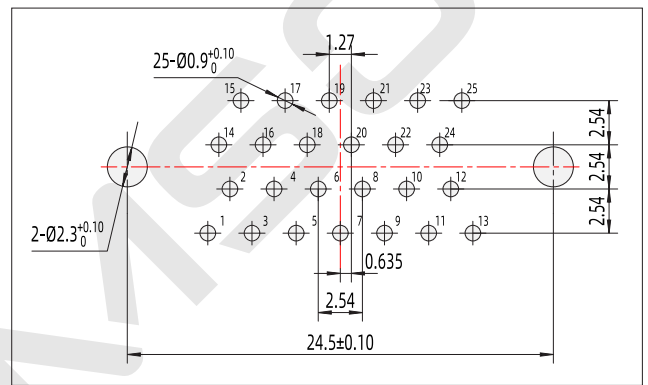
**J30JR-9TKN**



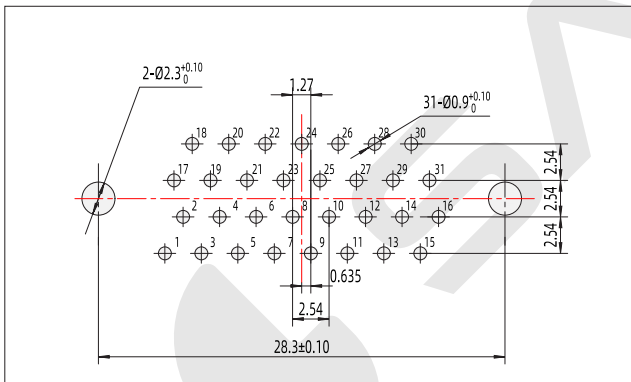
**J30JR-15TKN**



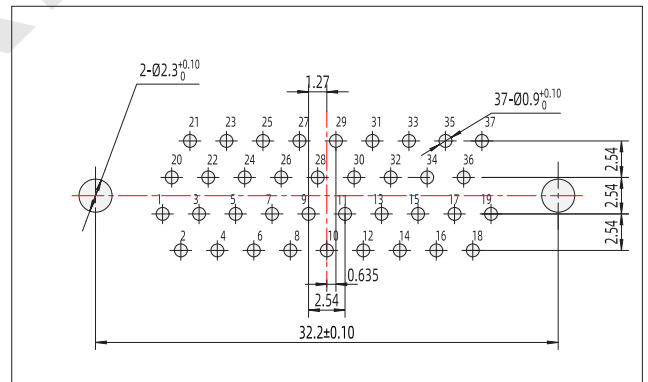
**J30JR-21TKN**



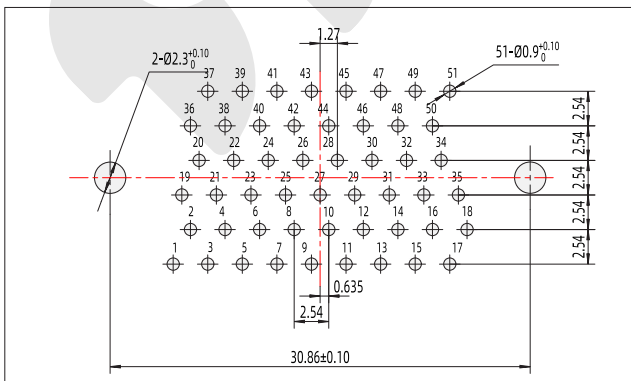
**J30JR-25TKN**



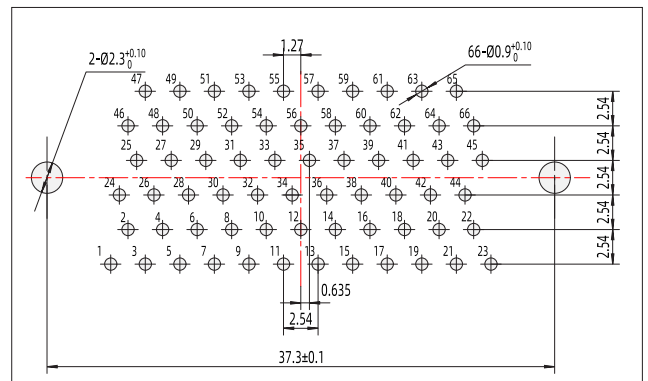
**J30JR-31TKN**



**J30JR-37TKN**



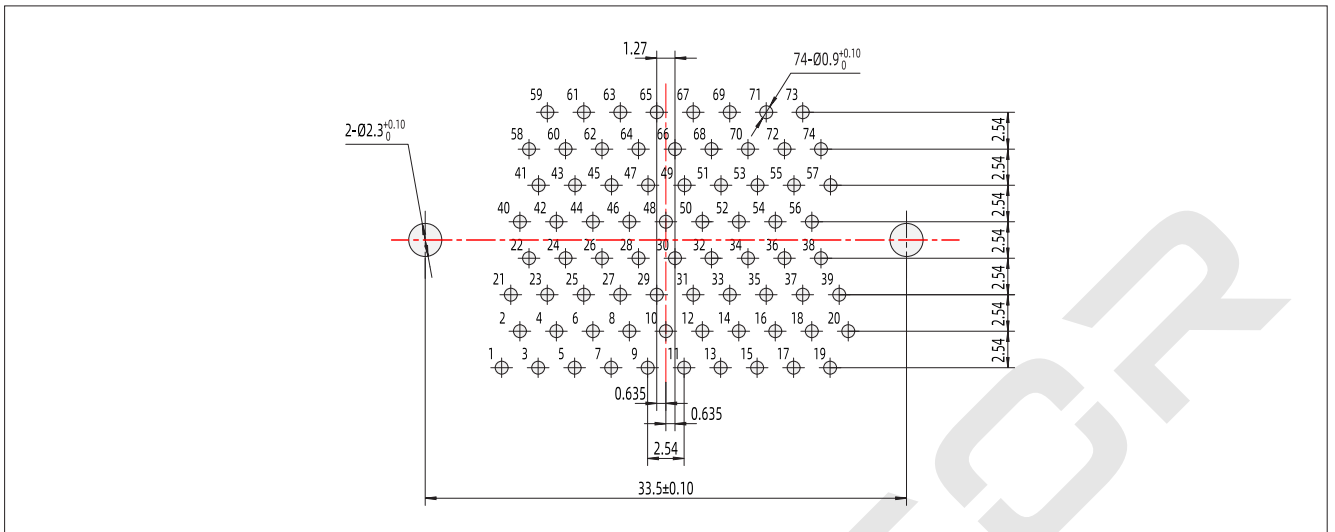
**J30JR-51TKN**



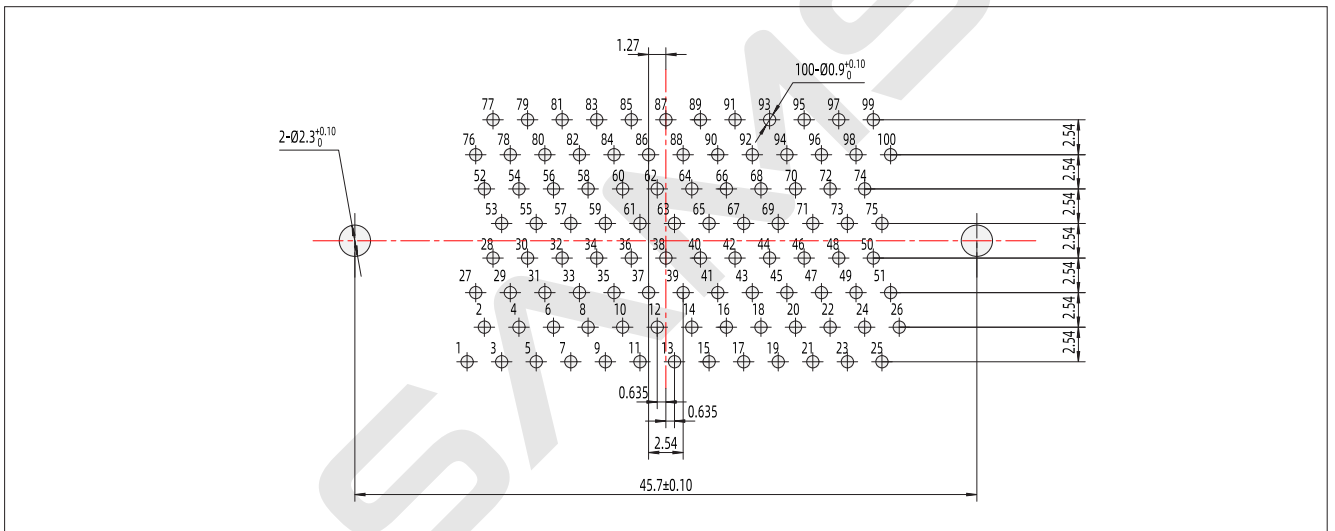
**J30JR-66TKN**

**J30JR-TKN PCB Cutout Dimensions**

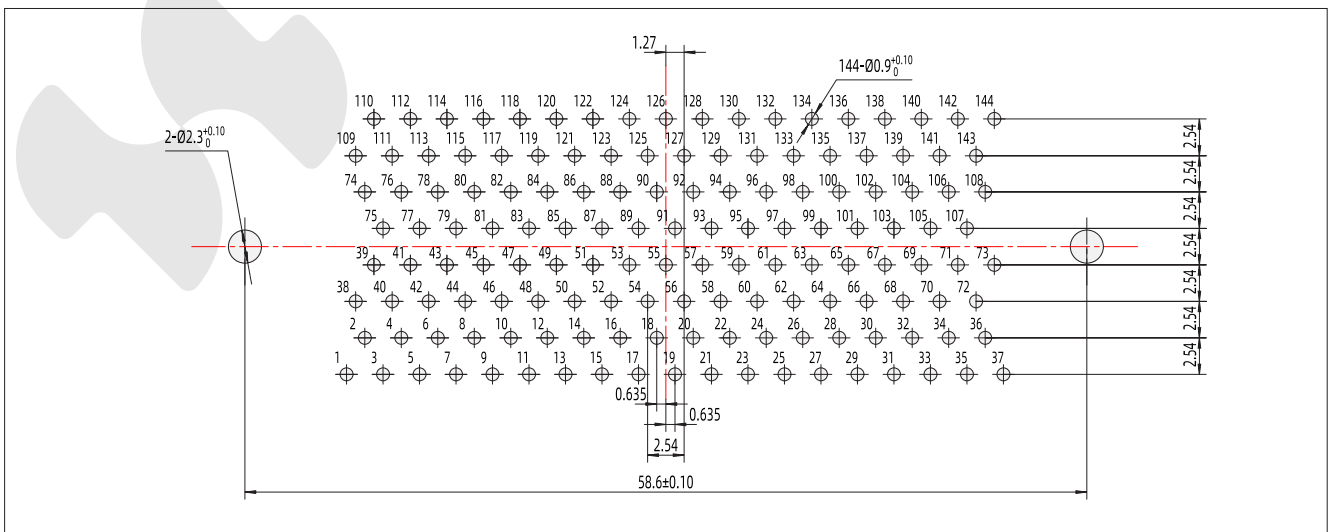
Connector-to-PCB Orientation View



**J30JR-74TKN**

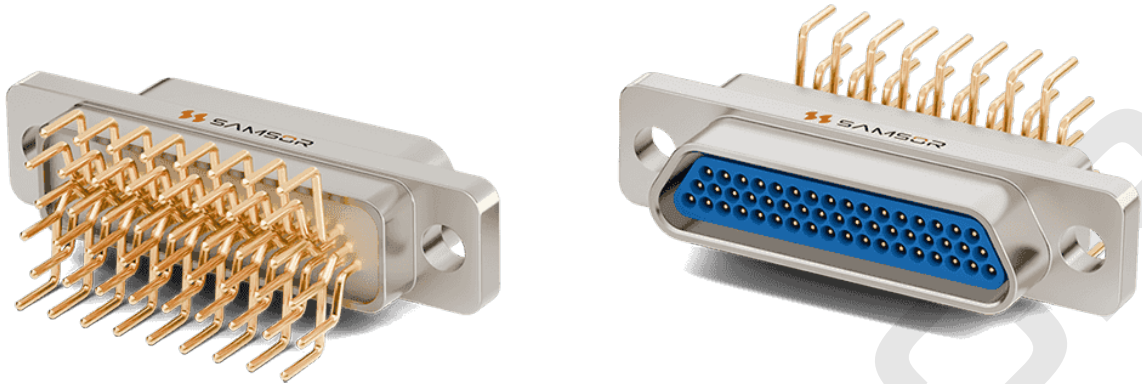


**J30JR-100TKN**

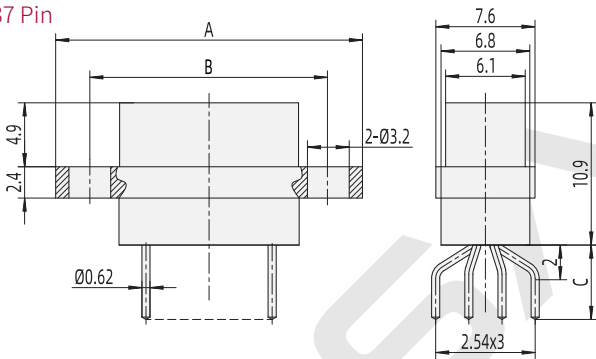


**J30JR-144TKN**

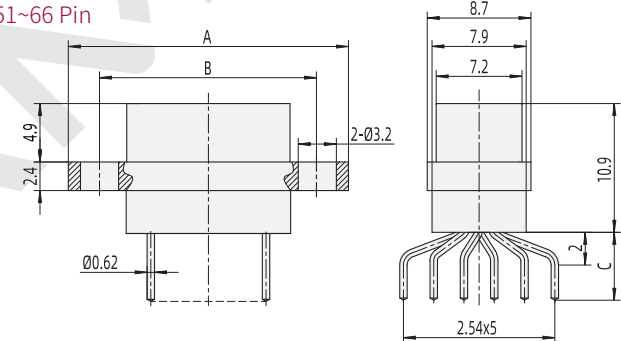
Receptacle with Pin Contacts - Vertical PCB J30JR-ZJN



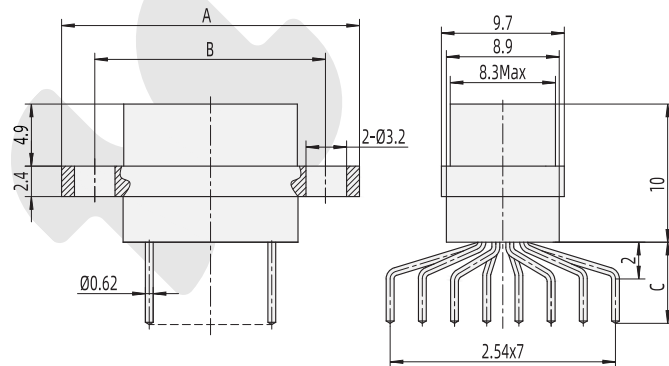
9~37 Pin



51~66 Pin



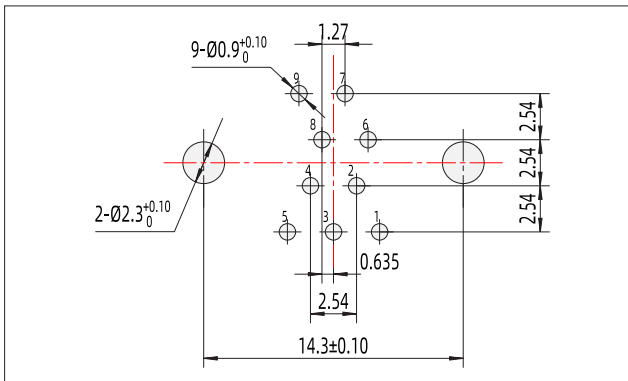
74~144 Pin



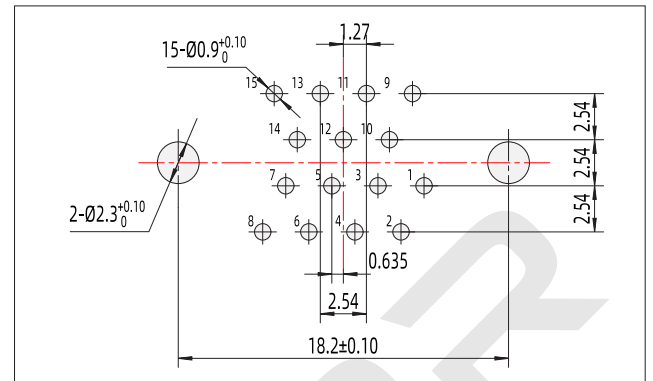
Type	A	B	C
J30JR-9ZJN	19.6	14.3	5.7
J30JR-15ZJN	23.5	18.2	
J30JR-21ZJN	27.4	22	
J30JR-25ZJN	29.8	24.5	
J30JR-31ZJN	33.6	28.3	
J30JR-37ZJN	37.4	32.2	
J30JR-51ZJN	36.4	30.86	
J30JR-66ZJN	42.9	37.3	
J30JR-74ZJN	38.8	33.5	6.6
J30JR-100ZJN	54.7	45.7	
J30JR-144ZJN	66.6	58.6	

## J30JR-ZJN PCB Cutout Dimensions

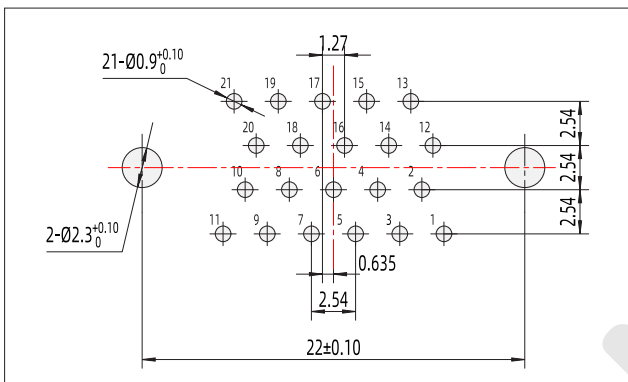
Connector-to-PCB Orientation View



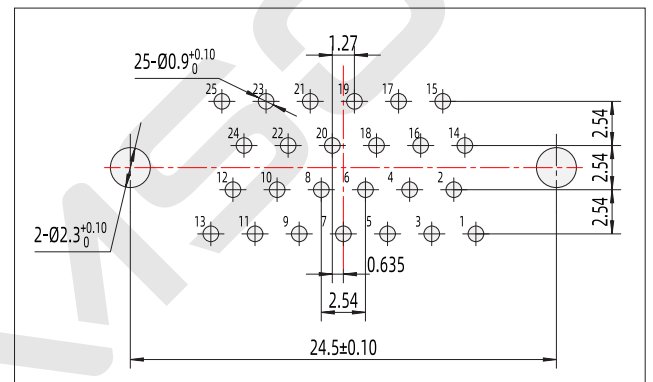
J30JR-9ZJN



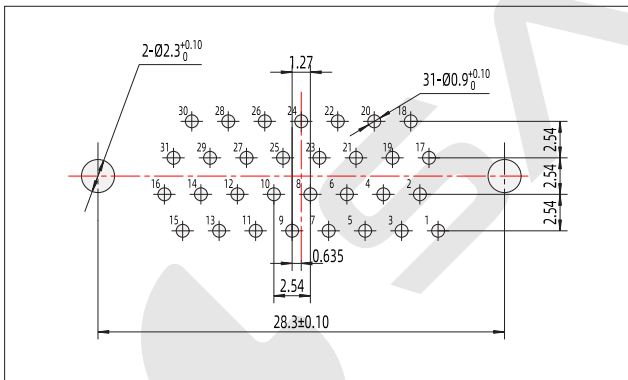
J30JR-15ZJN



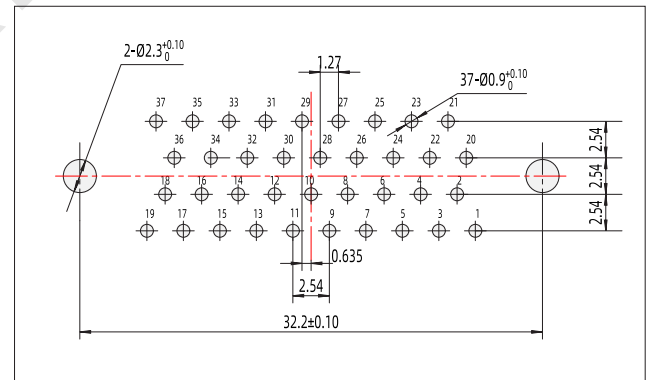
J30JR-21ZJN



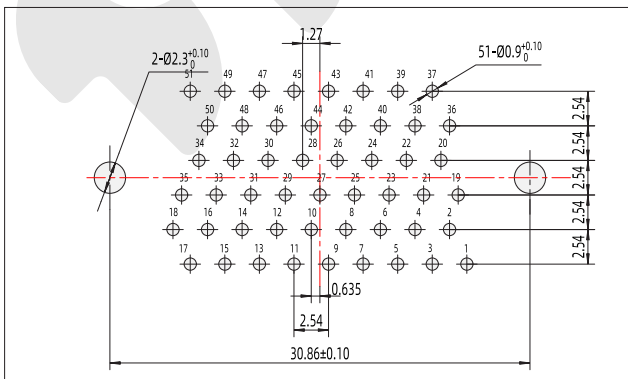
J30JR-25ZJN



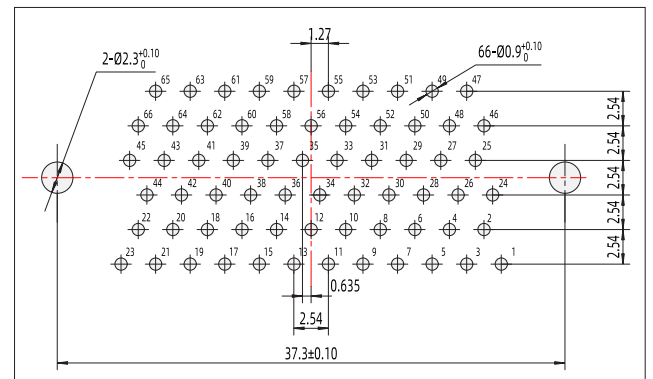
J30JR-31ZJN



J30JR-37ZJN



J30JR-51ZJN



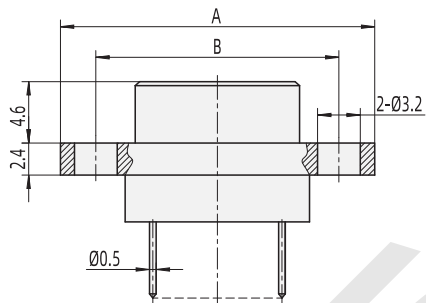
J30JR-66ZJN



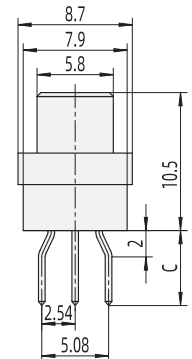
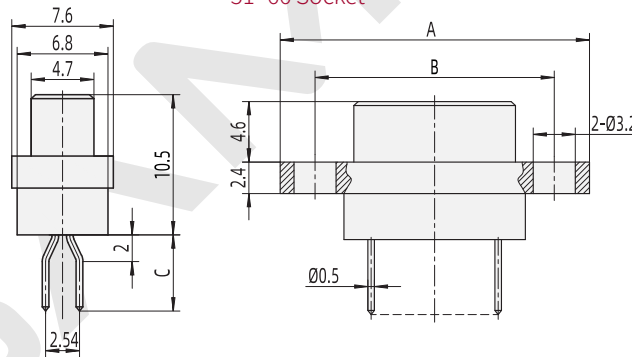
## Plug with Socket Contacts - Vertical PCB J30JR-TKN-J



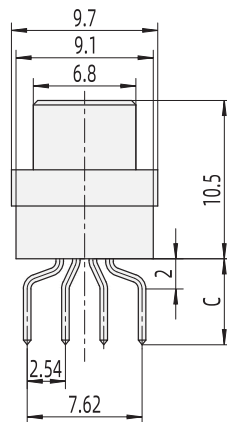
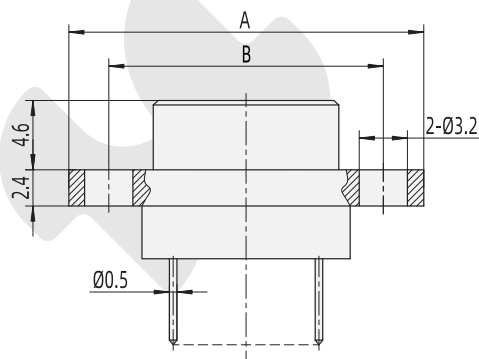
9~37 Socket



51~66 Socket



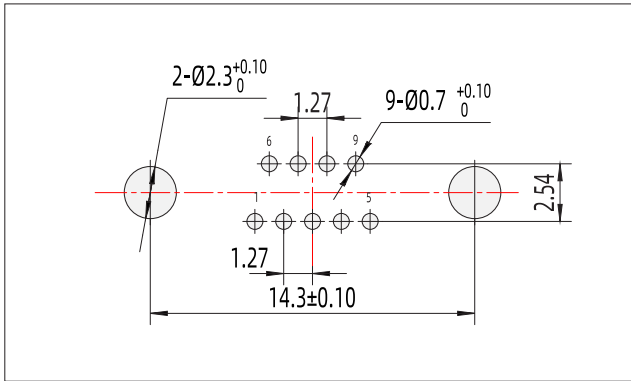
74~144 Socket



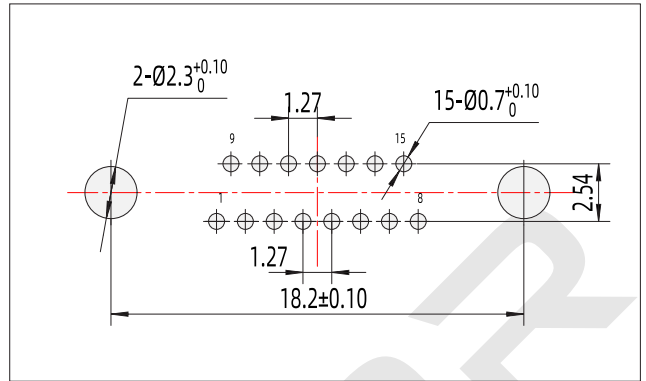
Type	A	B	C
J30JR-9TKN-J	19.6	14.3	5.7
J30JR-15TKN-J	23.5	18.2	
J30JR-21TKN-J	27.4	22	
J30JR-25TKN-J	29.8	24.5	
J30JR-31TKN-J	33.6	28.3	
J30JR-37TKN-J	37.4	32.2	
J30JR-51TKN-J	36.4	30.86	
J30JR-66TKN-J	42.9	37.3	
J30JR-74TKN-J	38.8	33.5	
J30JR-100TKN-J	54.7	45.7	
J30JR-144TKN-J	66.6	58.6	

**J30JR-TKN-J PCB Cutout Dimensions**

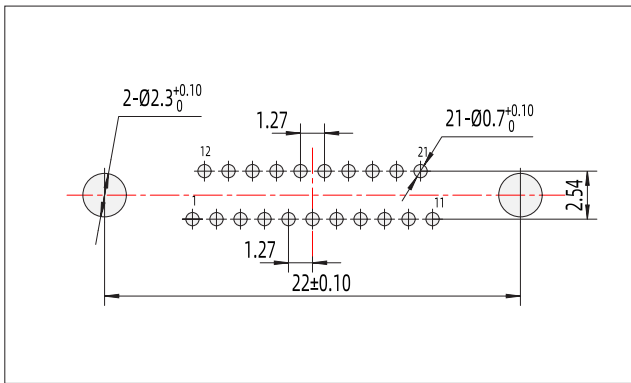
*Connector-to-PCB Orientation View*



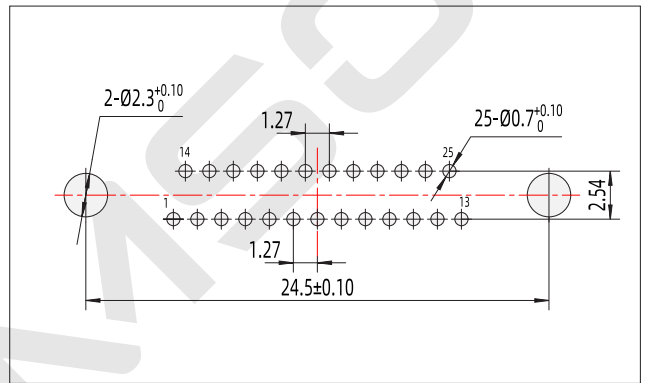
**J30JR-9TKN-J**



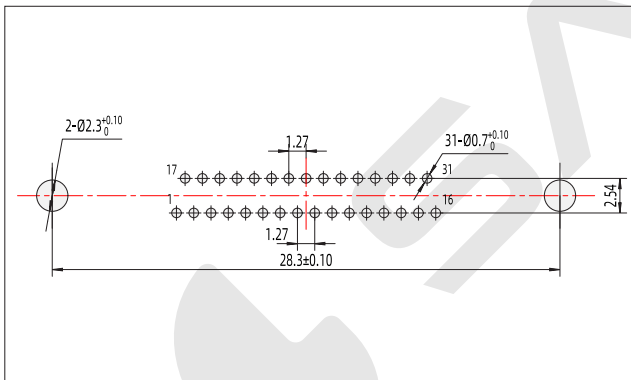
**J30JR-15TKN-J**



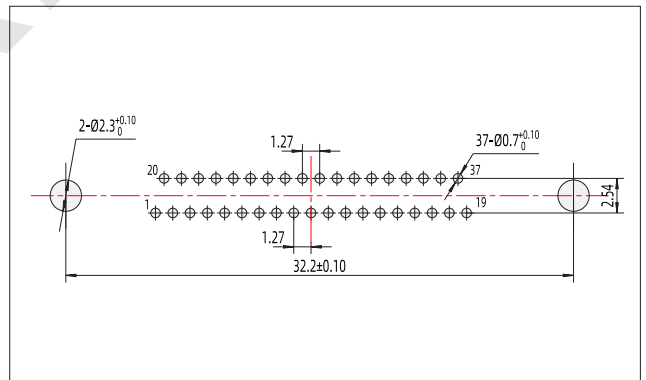
**J30JR-21TKN-J**



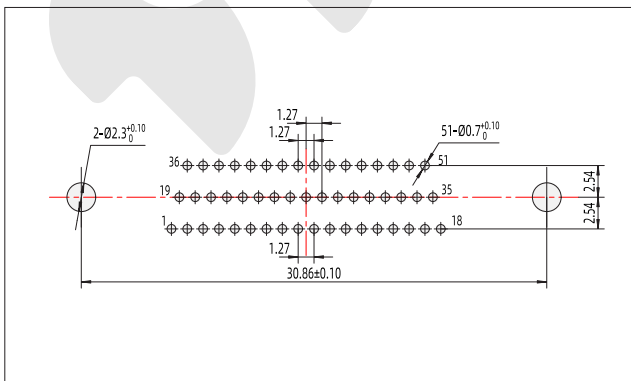
**J30JR-25TKN-J**



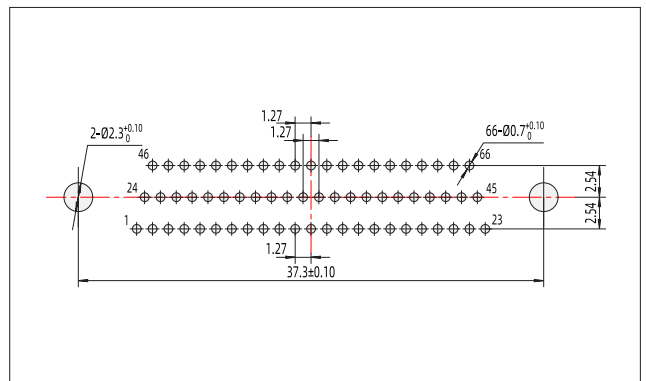
**J30JR-31TKN-J**



**J30JR-37TKN-J**



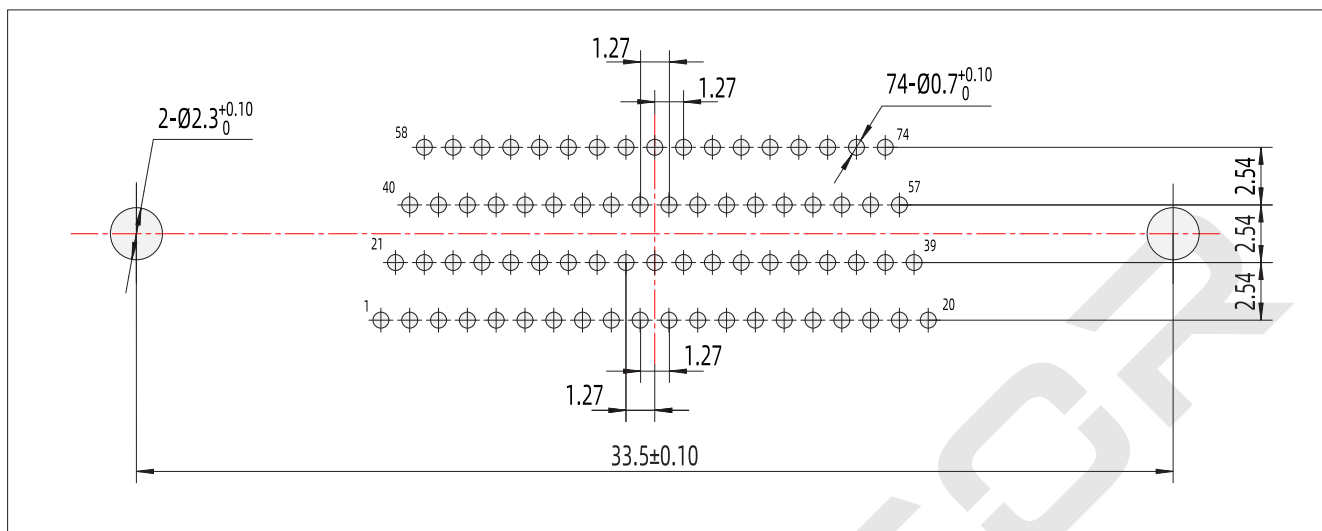
**J30JR-51TKN-J**



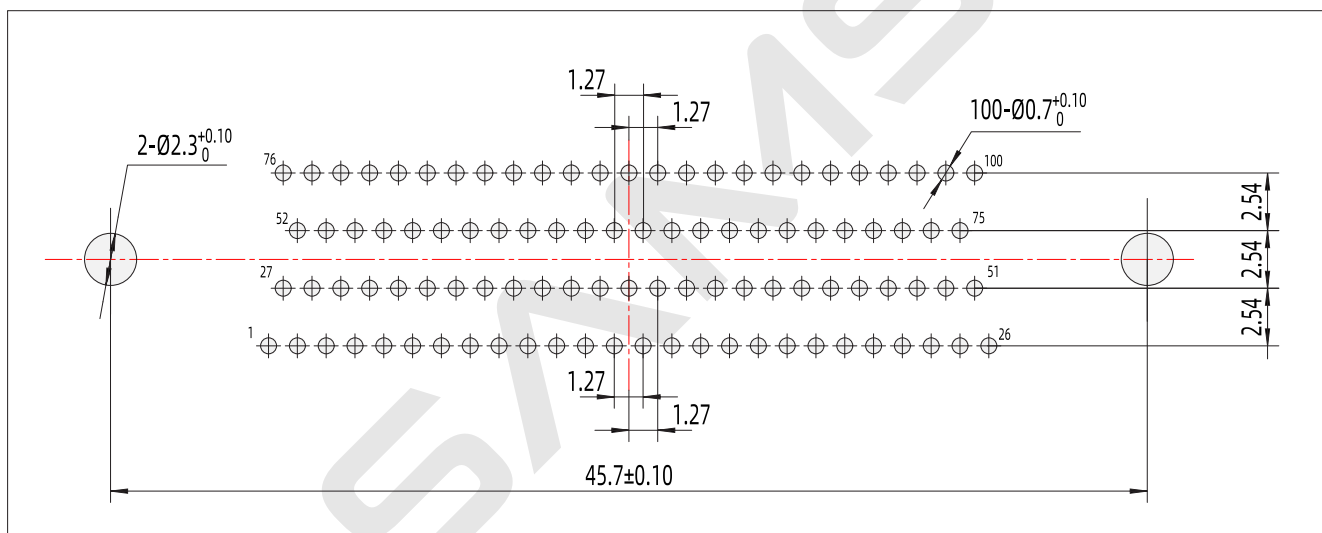
**J30JR-66TKN-J**

### J30JR-TKN-J PCB Cutout Dimensions

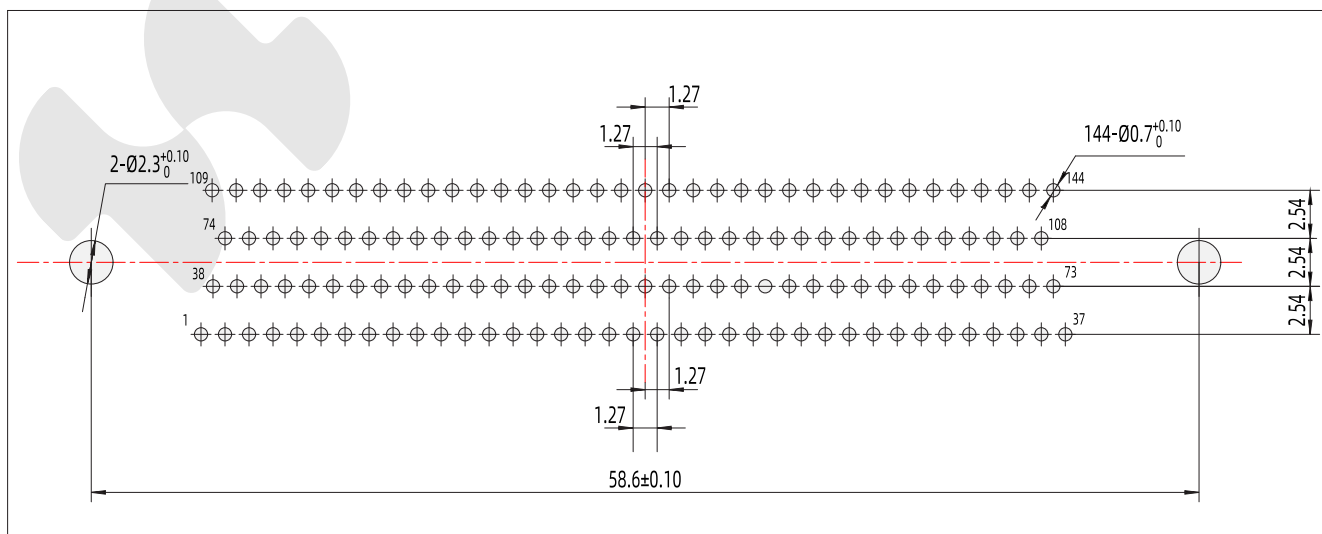
Connector-to-PCB Orientation View



J30JR-74TKN-J



J30JR-100TKN-J

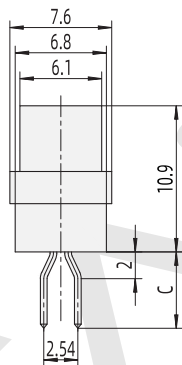
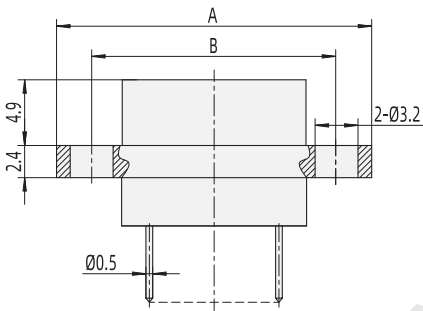


J30JR-144TKN-J

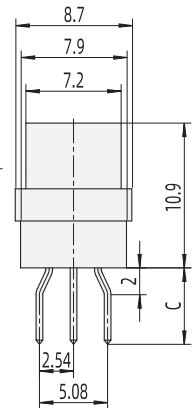
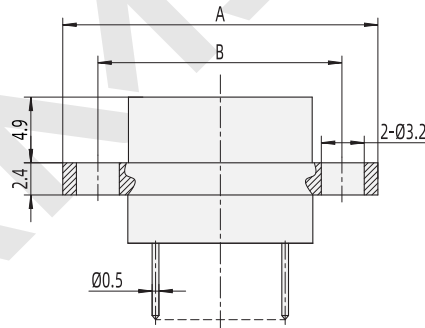
Receptacle with Pin Contacts - Vertical PCB J30JR-ZJN-J



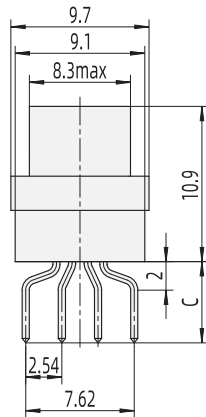
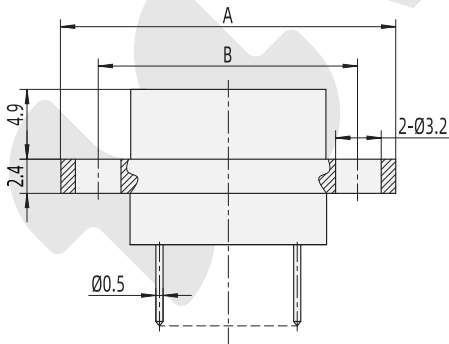
9~37 Pin



51~66 Pin



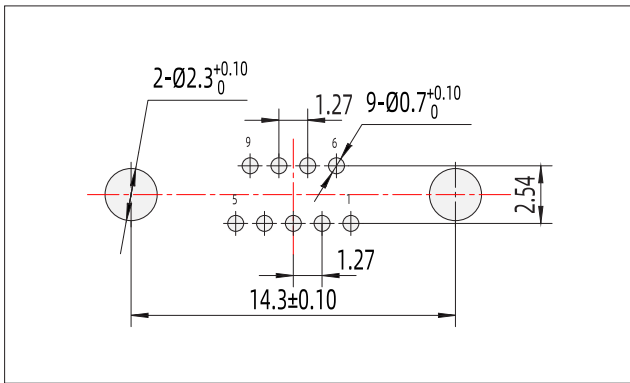
74~144 Pin



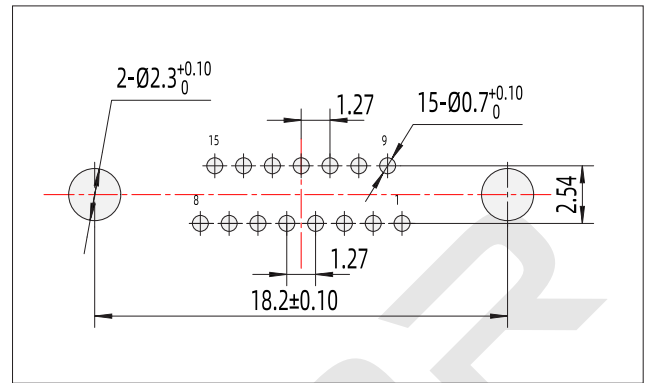
Type	A	B	C
J30JR-9ZJN-J	19.6	14.3	5.9
J30JR-15ZJN-J	23.5	18.2	
J30JR-21ZJN-J	27.4	22	
J30JR-25ZJN-J	29.8	24.5	
J30JR-31ZJN-J	33.6	28.3	
J30JR-37ZJN-J	37.4	32.2	
J30JR-51ZJN-J	36.4	30.86	
J30JR-66ZJN-J	42.9	37.3	
J30JR-74ZJN-J	38.8	33.5	
J30JR-100ZJN-J	54.7	45.7	
J30JR-144ZJN-J	66.6	58.6	

## J30JR-ZJN-J PCB Cutout Dimensions

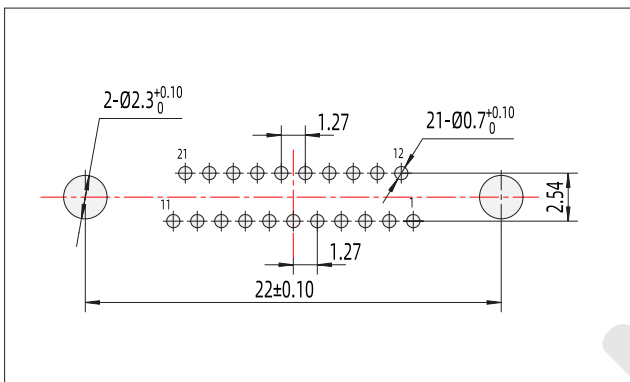
Connector-to-PCB Orientation View



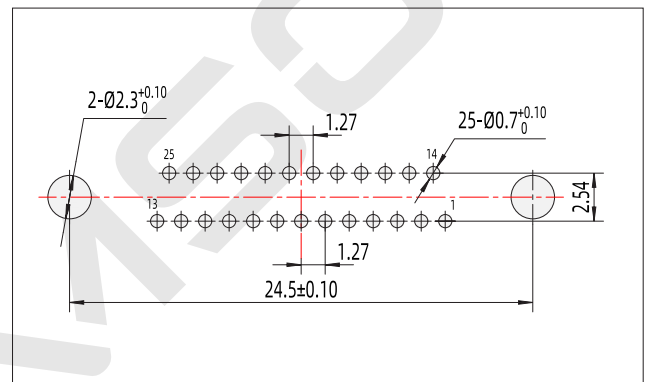
J30JR-9ZJN-J



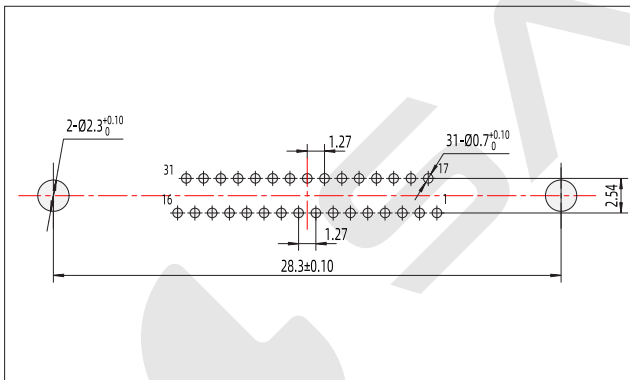
J30JR-15ZJN-J



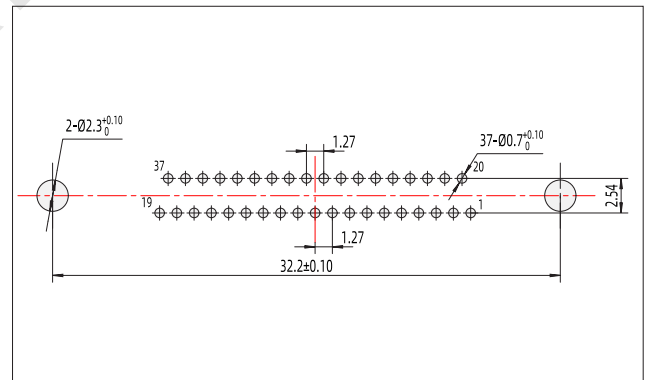
J30JR-21ZJN-J



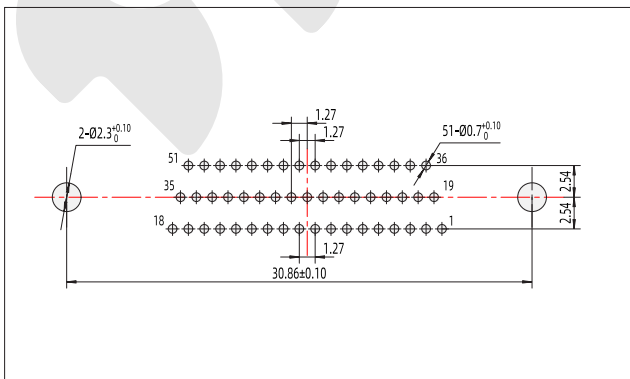
J30JR-25ZJN-J



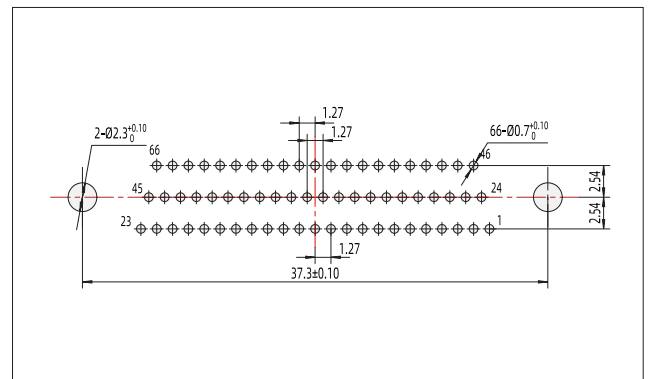
J30JR-31ZJN-J



J30JR-37ZJN-J



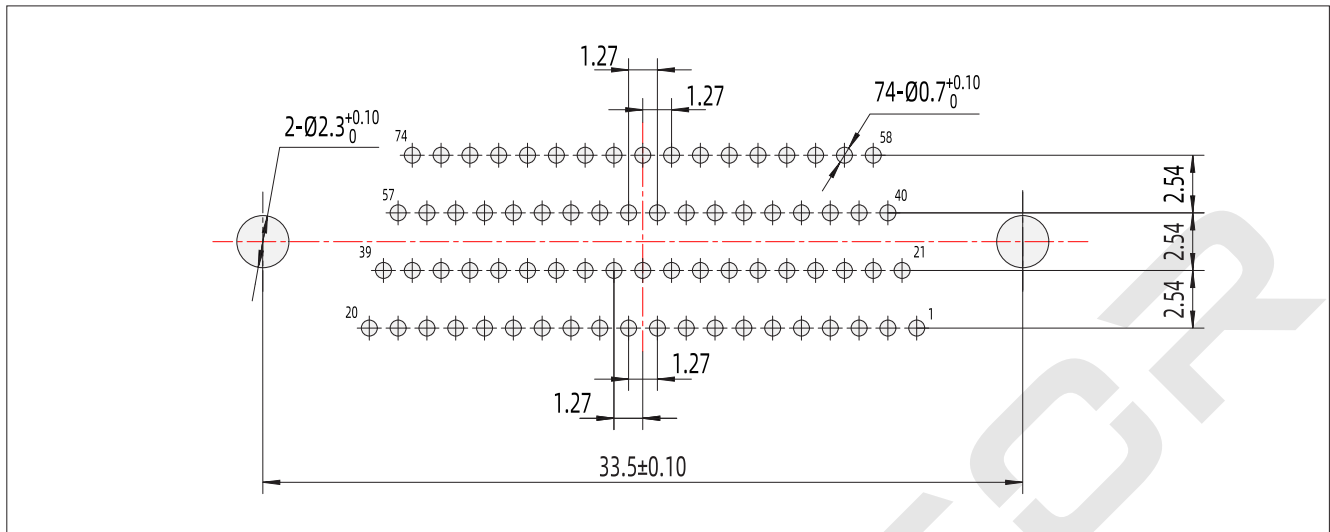
J30JR-51ZJN-J



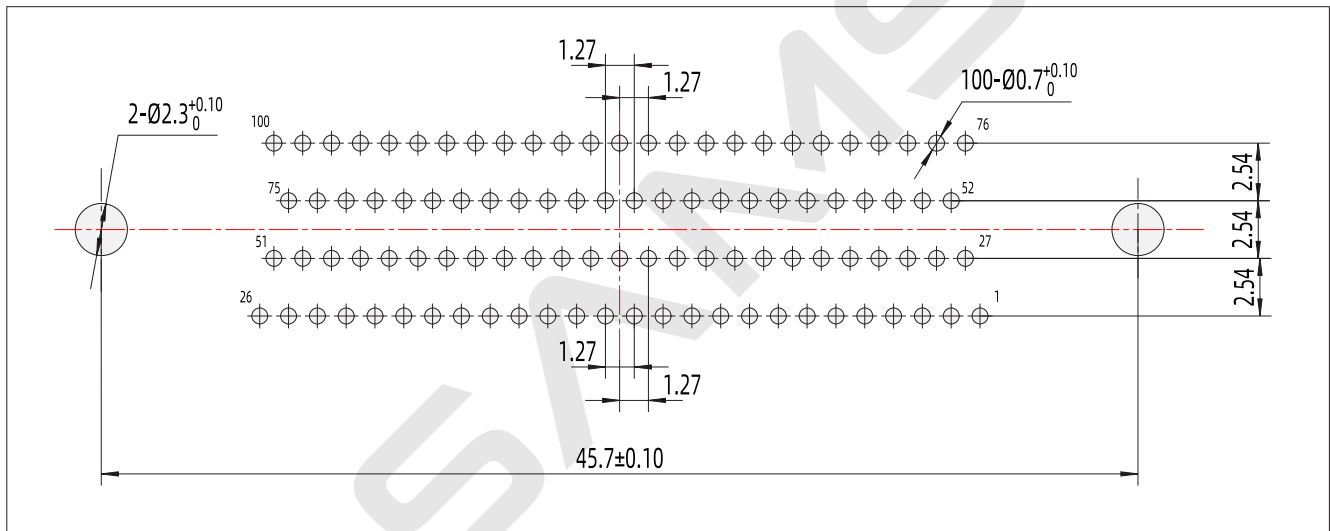
J30JR-66ZJN-J

**J30JR-ZJN-J PCB Cutout Dimensions**

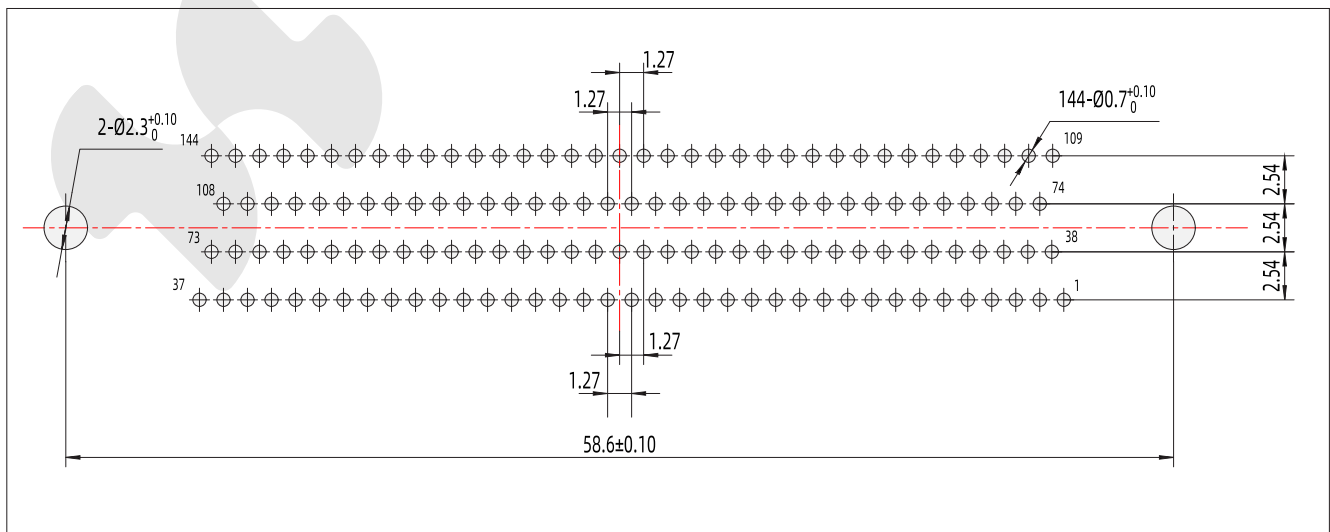
Connector-to-PCB Orientation View



**J30JR-74ZJN-J**

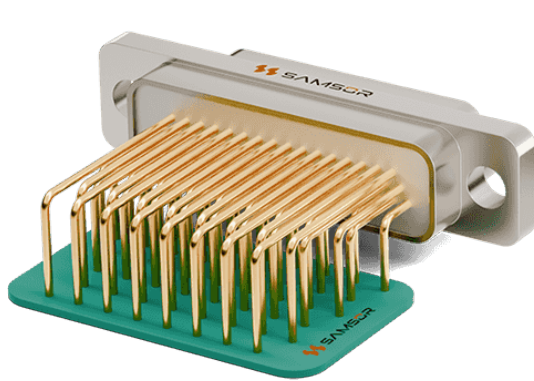


**J30JR-100ZJN-J**

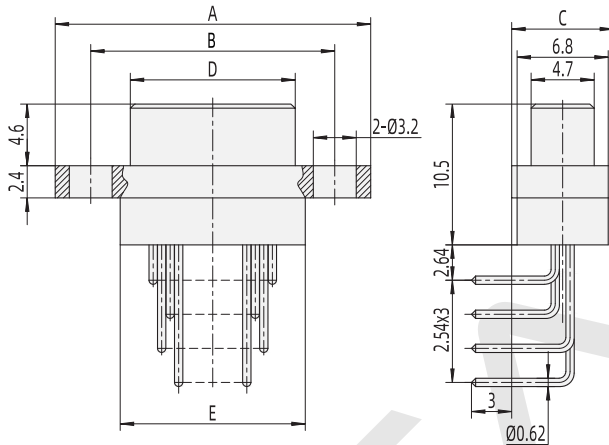


**J30JR-144ZJN-J**

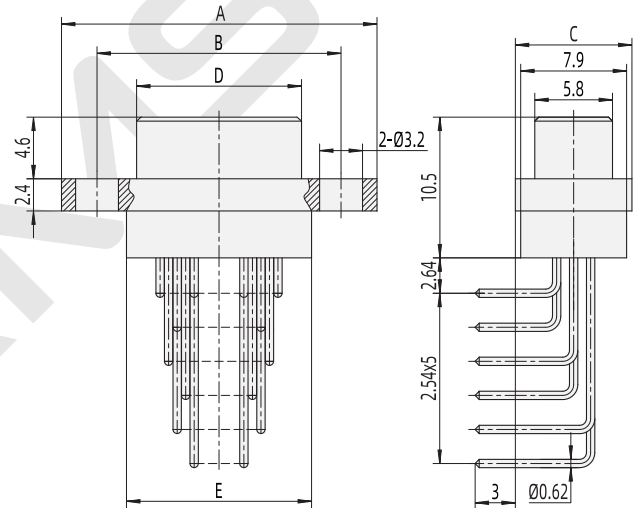
Plug with Socket Contacts - Right Angle PCB J30JR-TKW



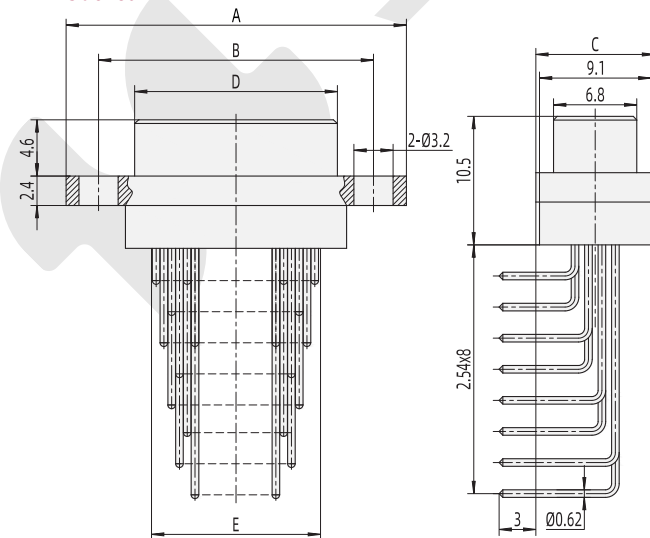
9~37 Socket



51~66 Socket



74~144 Socket

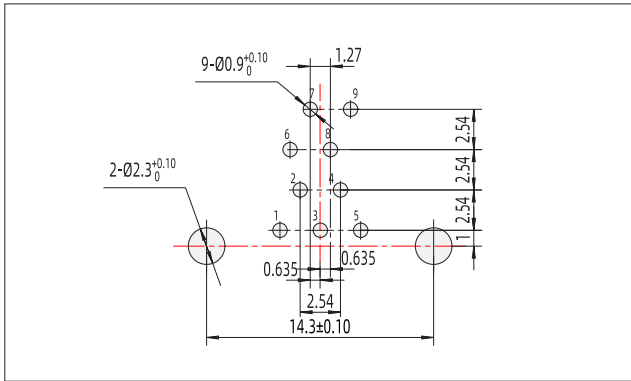


The termination is a Right-Angle Mount Printed Circuit Board, with a grid of 2.54mmx2.54mm

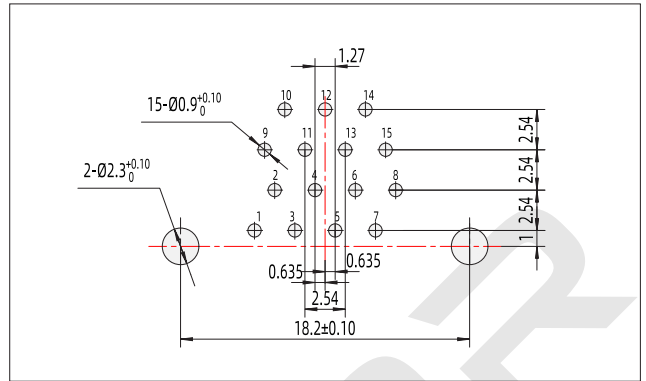
Type	A	B	C	D	E
J30JR-9TKW	19.6	14.3	7.6	8.3	9.9
J30JR-15TKW	23.5	18.2	7.6	12.3	13.8
J30JR-21TKW	27.4	22	7.6	16	17.6
J30JR-25TKW	29.8	24.5	7.6	18.6	20.2
J30JR-31TKW	33.6	28.3	7.6	22.4	24
J30JR-37TKW	37.4	32.2	7.6	26.3	27.8
J30JR-51TKW	36.4	30.86	8.7	25	26.6
J30JR-66TKW	42.9	37.3	8.7	31.4	33
J30JR-74TKW	38.8	33.5	9.7	27.5	29.1
J30JR-100TKW	54.7	45.7	9.7	35	36.6
J30JR-144TKW	66.6	58.6	9.7	49	50.6

**J30JR-TKW PCB Cutout Dimensions**

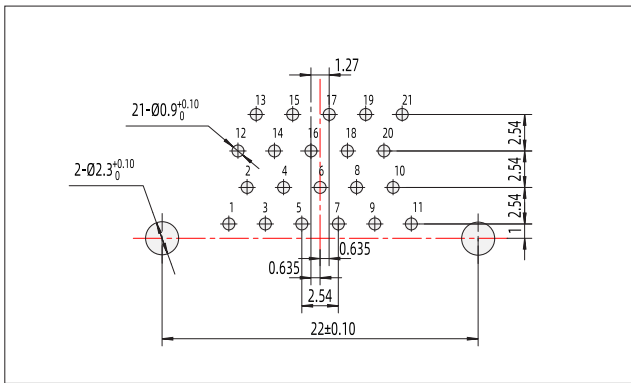
Connector-to-PCB Orientation View



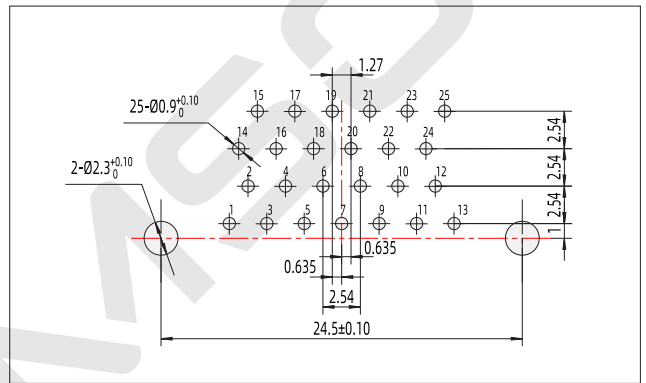
**J30JR-9TKW**



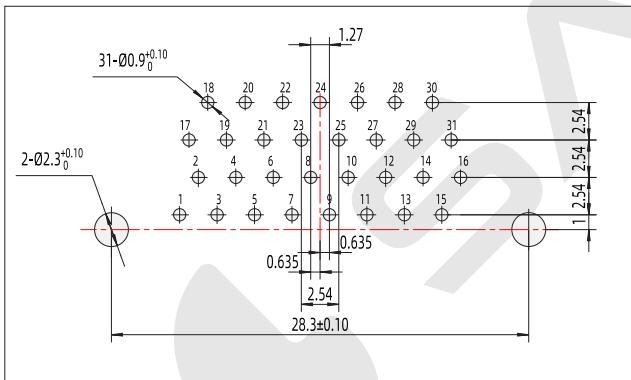
**J30JR-15TKW**



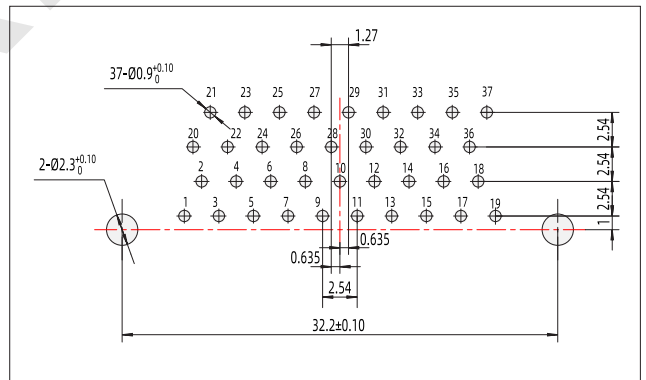
**J30JR-21TKW**



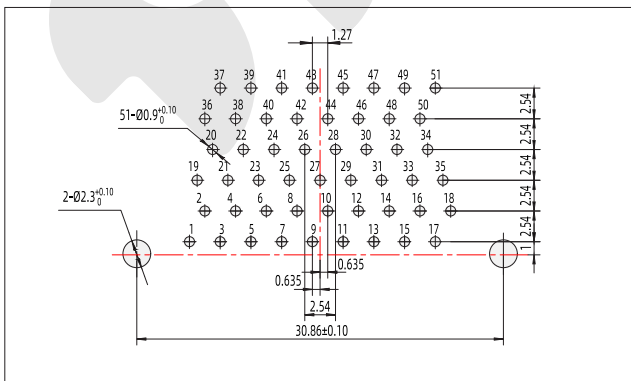
**J30JR-25TKW**



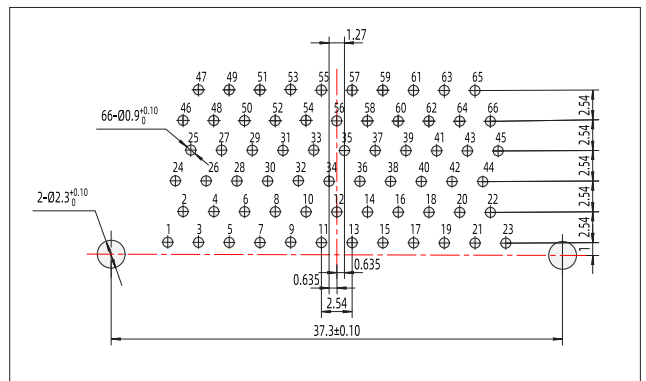
**J30JR-31TKW**



**J30JR-37TKW**



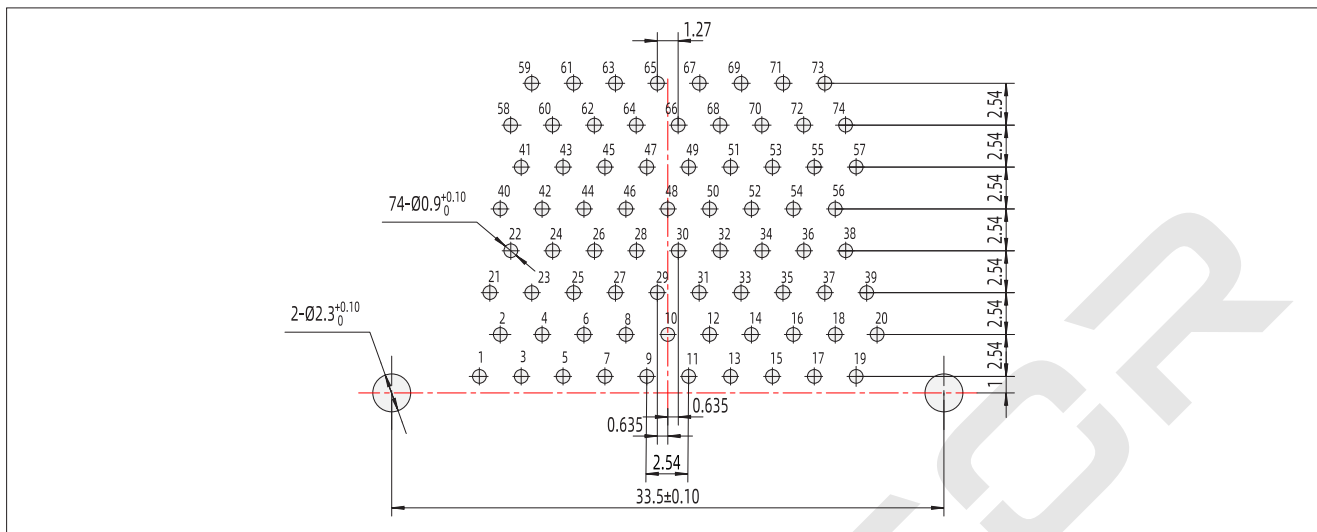
**J30JR-51TKW**



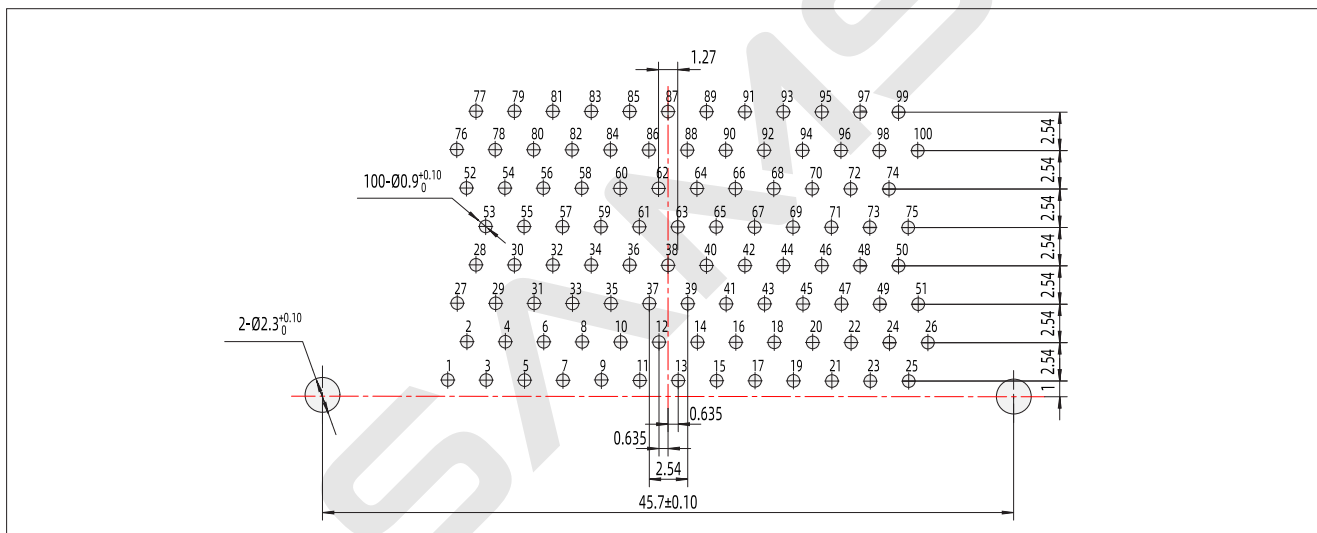
**J30JR-66TKW**

**J30JR-TKW PCB Cutout Dimensions**

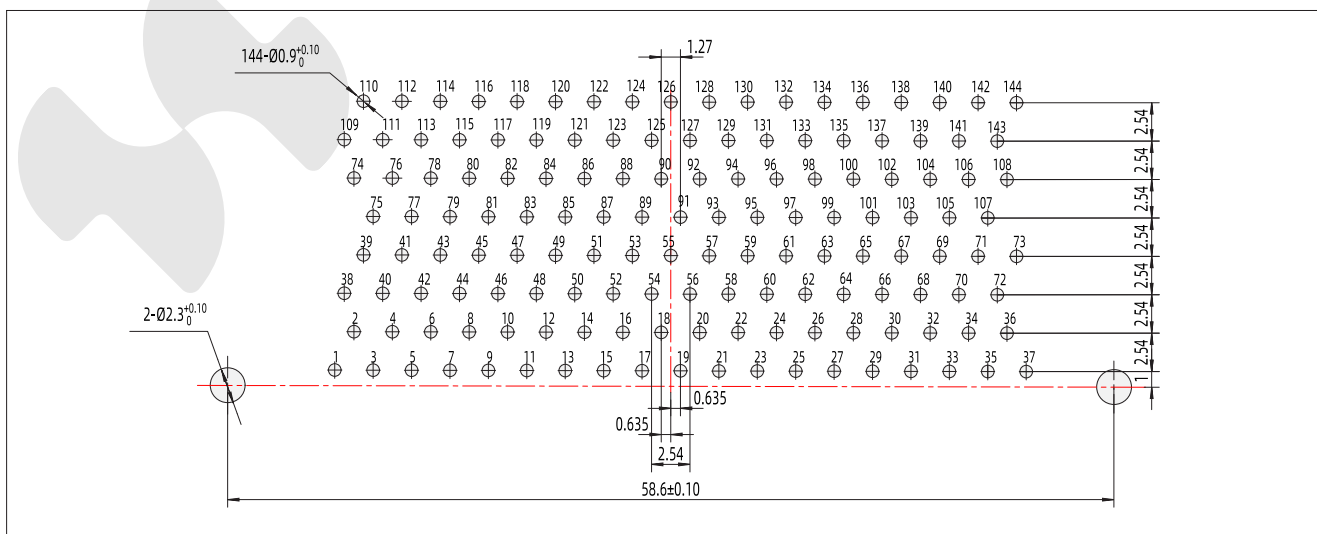
Connector-to-PCB Orientation View



**J30JR-74TKW**

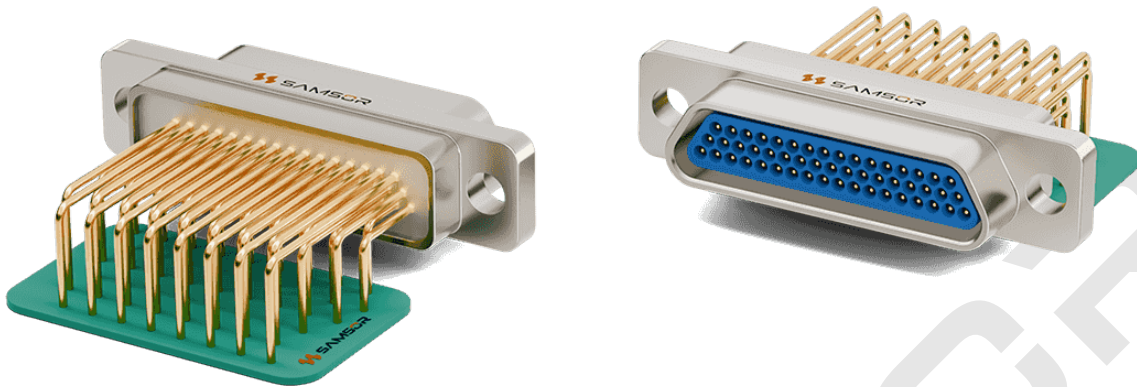


**J30JR-100TKW**

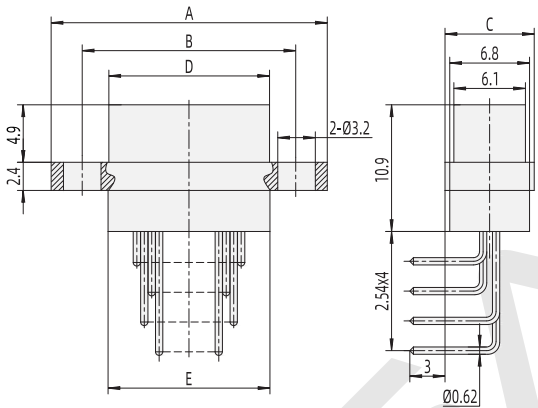


**J30JR-144TKW**

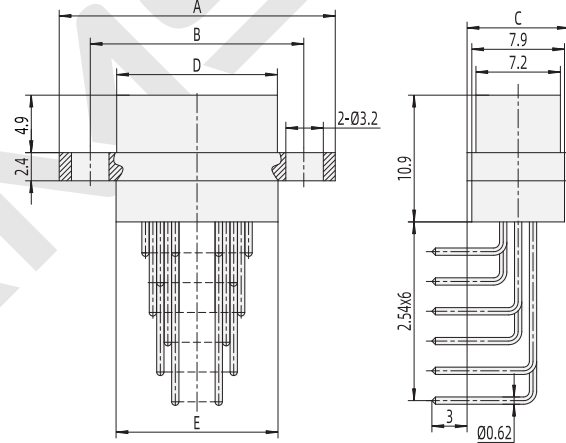
Receptacle with Pin Contacts - Right Angle PCB J30JR-ZJW



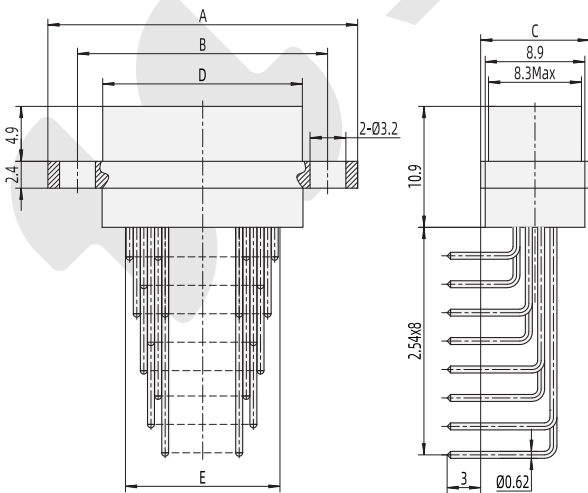
9~37 Pin



51~66 Pin



74~144 Pin

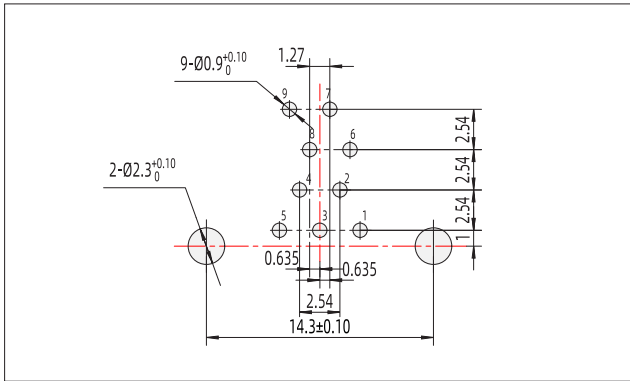


The termination is a Right-Angle Mount Printed Circuit Board, with a grid of 2.54mmx2.54mm

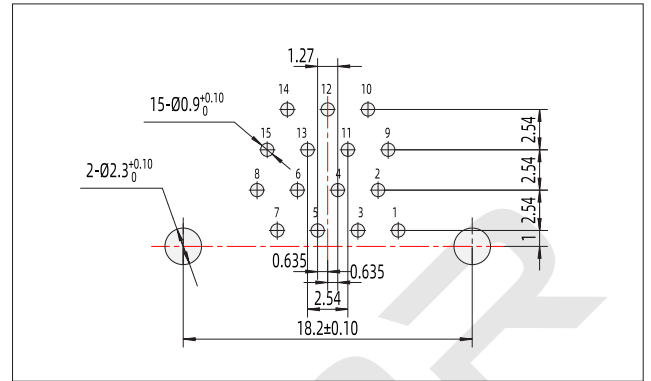
Type	A	B	C	D	E
J30JR-9ZJW	19.6	14.3	7.6	9.8	9.9
J30JR-15ZJW	23.5	18.2	7.6	13.7	13.8
J30JR-21ZJW	27.4	22	7.6	17.4	17.6
J30JR-25ZJW	29.8	24.5	7.6	20	20.2
J30JR-31ZJW	33.6	28.3	7.6	23.8	24
J30JR-37ZJW	37.4	32.2	7.6	27.7	27.8
J30JR-51ZJW	36.4	30.86	8.7	26.5	26.6
J30JR-66ZJW	42.9	37.3	8.7	32.9	33
J30JR-74ZJW	38.8	33.5	9.7	29	29.1
J30JR-100ZJW	54.7	45.7	9.7	36.6	36.65
J30JR-144ZJW	66.6	58.6	9.7	50.6	50.6

## J30JR-ZJW PCB Cutout Dimensions

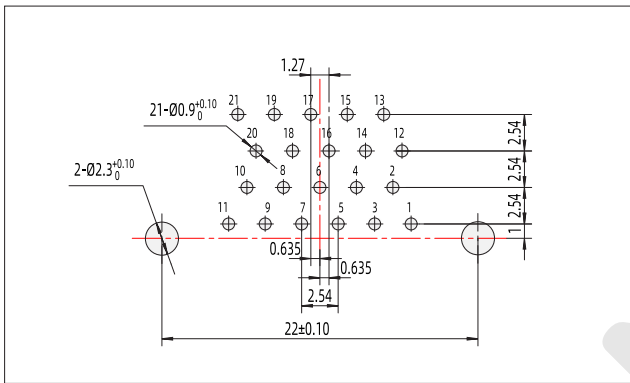
Connector-to-PCB Orientation View



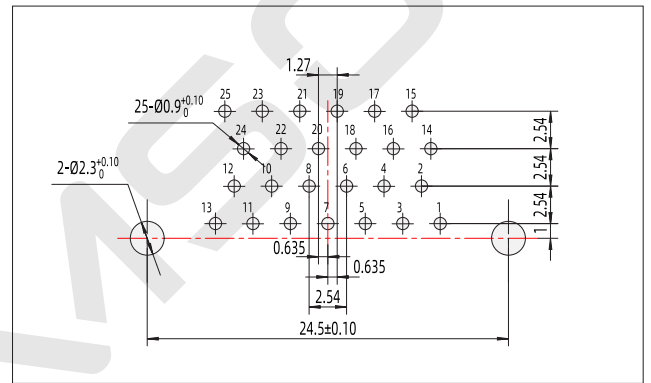
J30JR-9ZJW



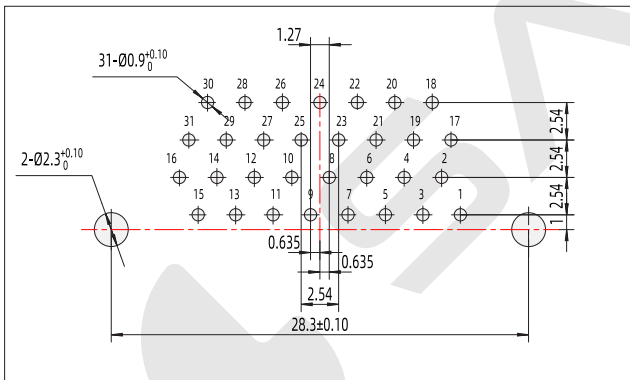
J30JR-15ZJW



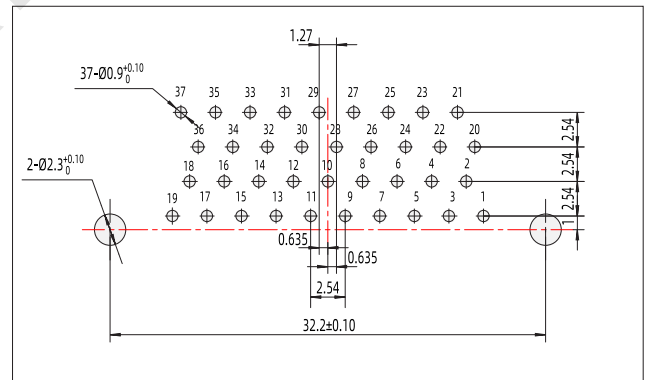
J30JR-21ZJW



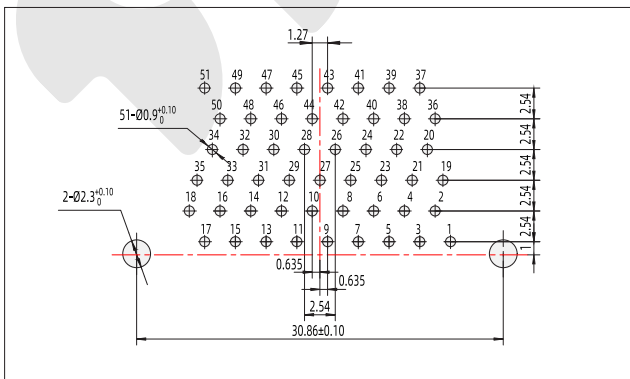
J30JR-25ZJW



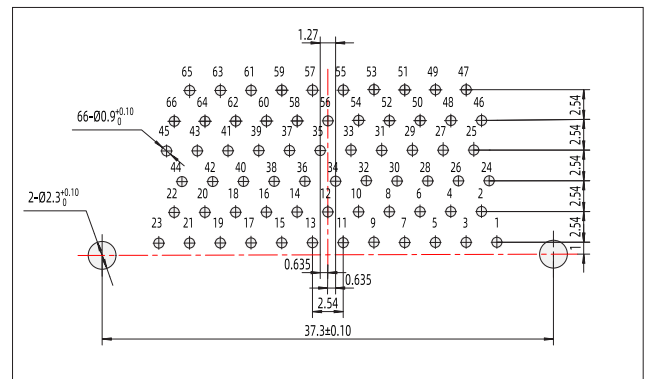
J30JR-31ZJW



J30JR-37ZJW



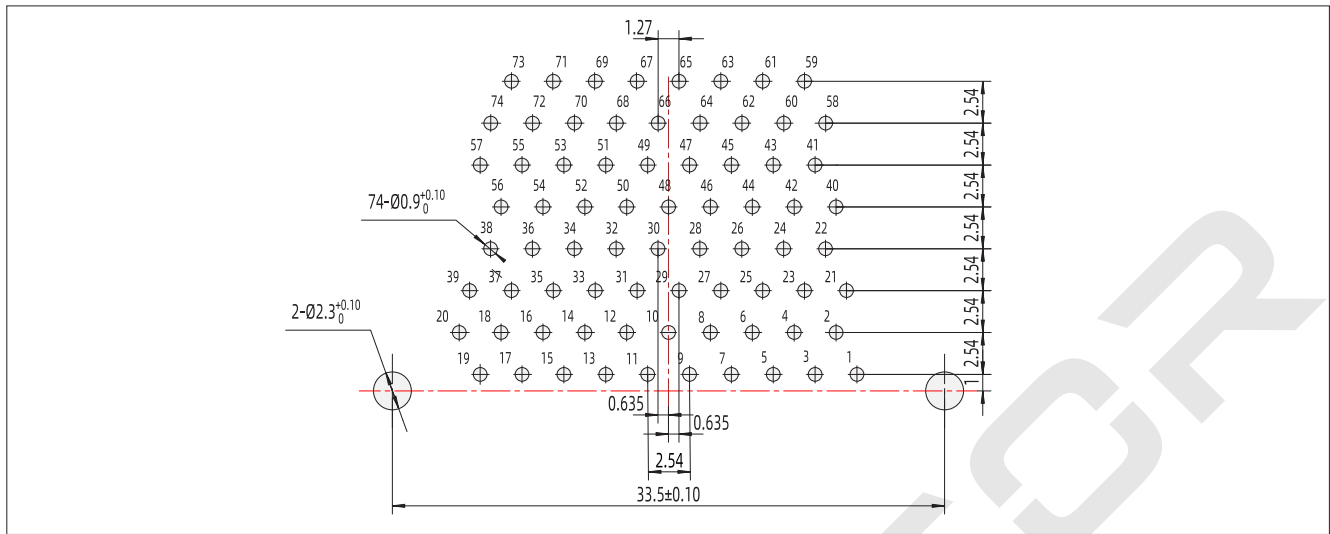
J30JR-51ZJW



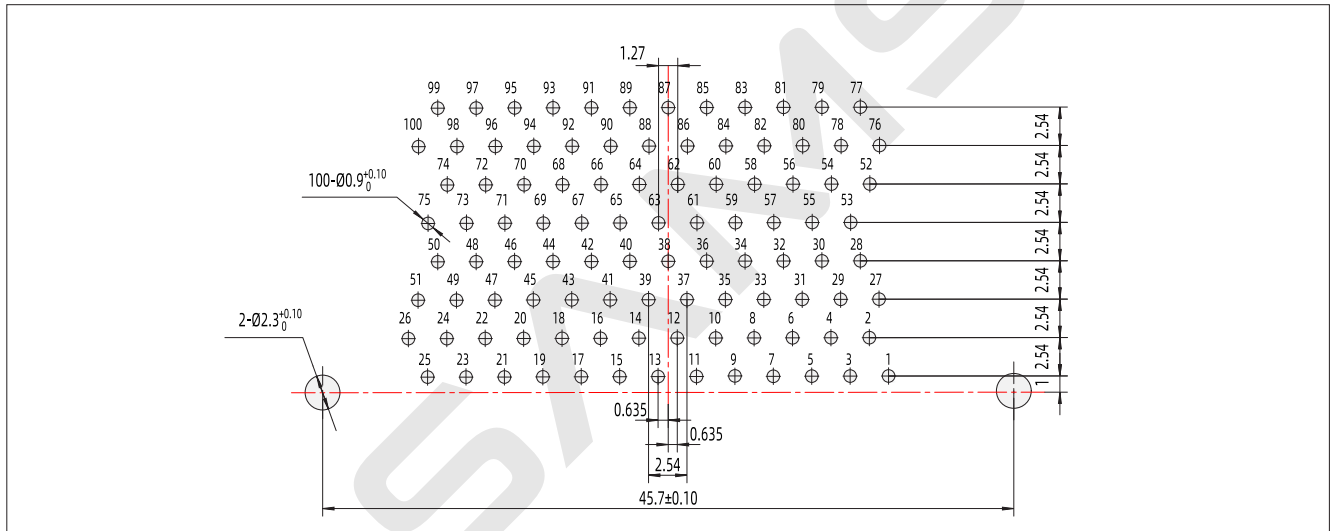
J30JR-66ZJW

**J30JR-ZJW PCB Cutout Dimensions**

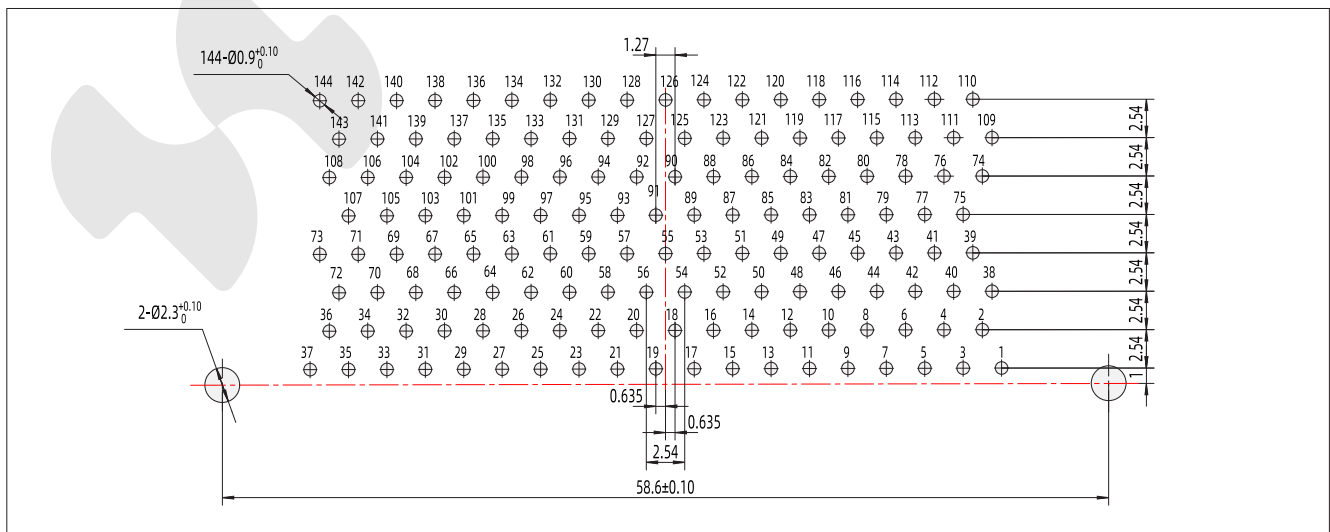
Connector-to-PCB Orientation View



**J30JR-74ZJW**

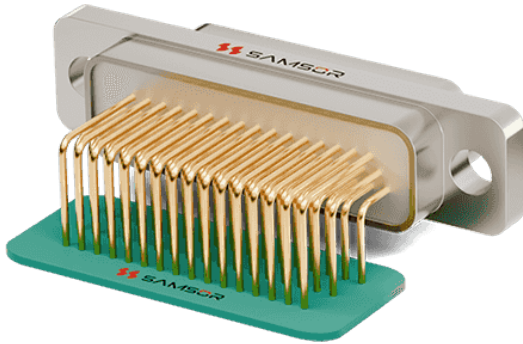


**J30JR-100ZJW**

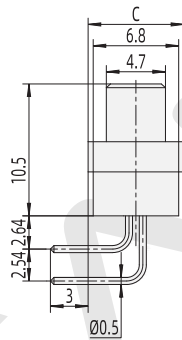
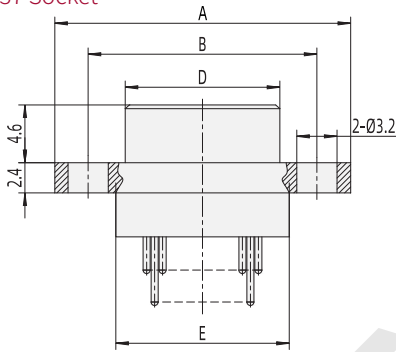


**J30JR-144ZJW**

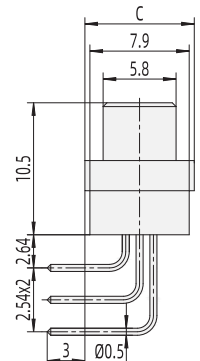
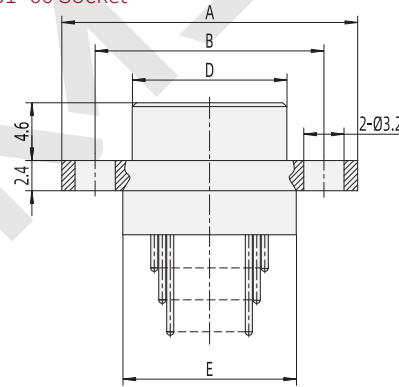
Plug with Socket Contacts - Right Angle PCB J30JR-TKW-J



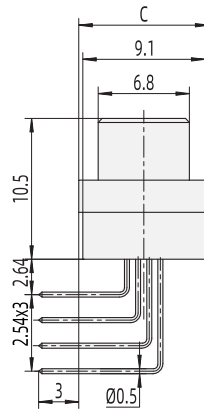
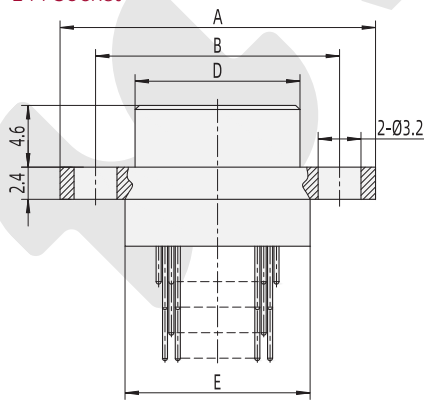
9~37 Socket



51~66 Socket



74~144 Socket

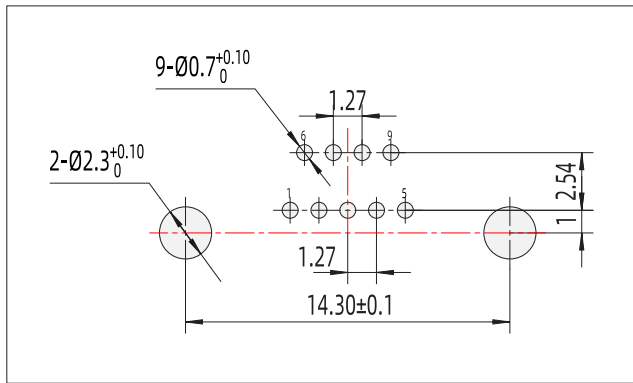


The termination is a Right-Angle Mount Printed Circuit Board, with a grid of 1.27mmx2.54mm

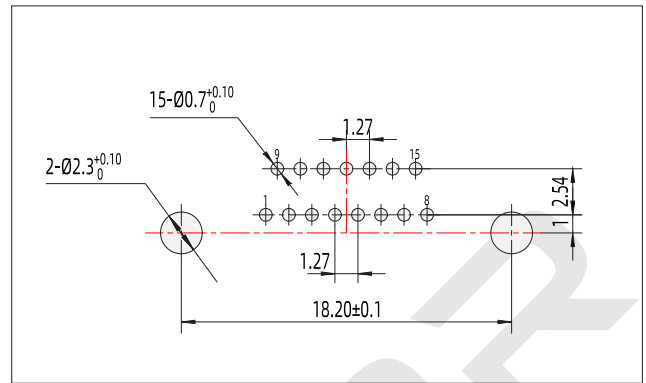
Type	A	B	C	D	E
J30JR-9TKW-J	19.6	14.3	7.6	8.3	9.9
J30JR-15TKW-J	23.5	18.2	7.6	12.3	13.8
J30JR-21TKW-J	27.4	22	7.6	16	17.6
J30JR-25TKW-J	29.8	24.5	7.6	18.6	20.2
J30JR-31TKW-J	33.6	28.3	7.6	22.4	24
J30JR-37TKW-J	37.4	32.2	7.6	26.3	27.8
J30JR-51TKW-J	36.4	30.86	8.7	25	26.6
J30JR-66TKW-J	42.9	37.3	8.7	31.4	33
J30JR-74TKW-J	38.8	33.5	9.7	27.5	29.1
J30JR-100TKW-J	54.7	45.7	9.7	35	36.6
J30JR-144TKW-J	66.6	58.6	9.7	49	50.6

**J30JR-TKW-J PCB Cutout Dimensions**

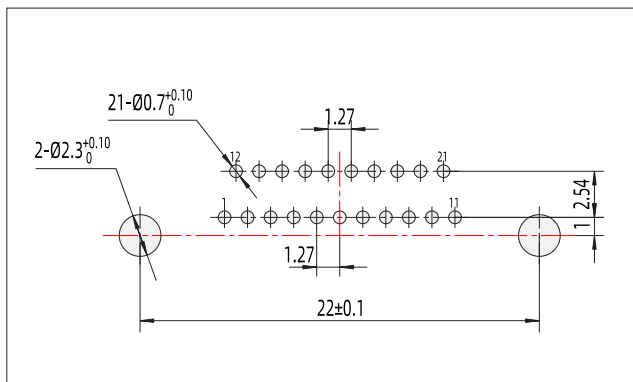
*Connector-to-PCB Orientation View*



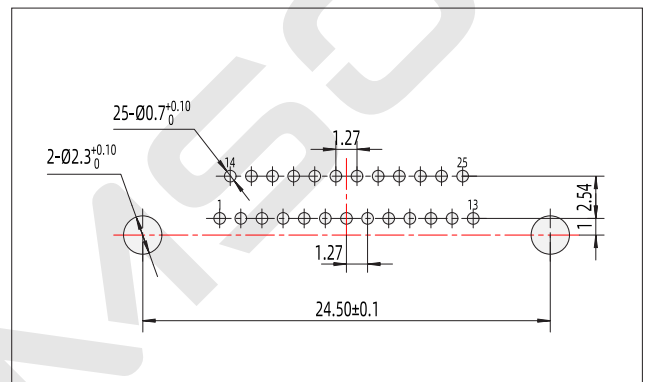
**J30JR-9TKW-J**



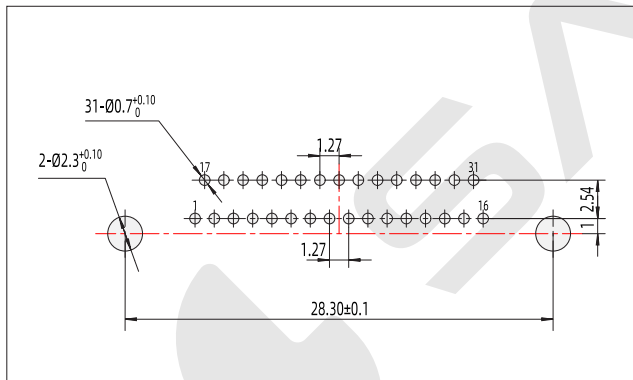
**J30JR-15TKW-J**



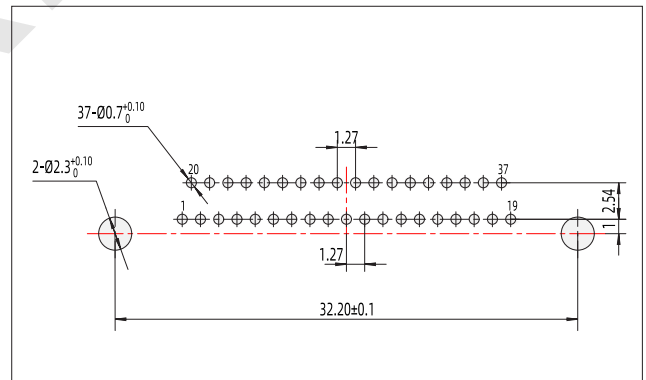
**J30JR-21TKW-J**



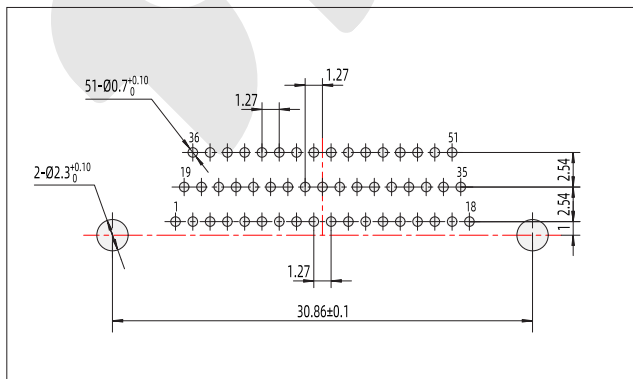
**J30JR-25TKW-J**



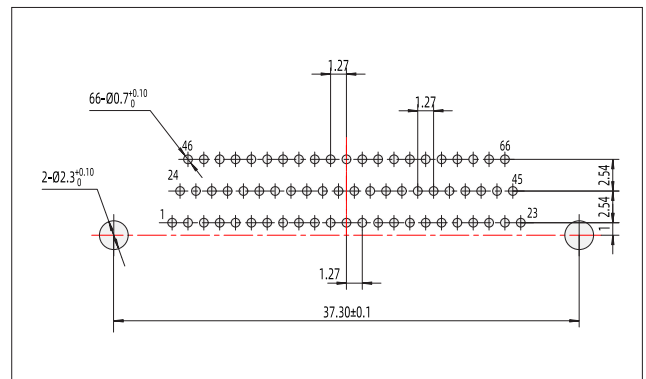
**J30JR-31TKW-J**



**J30JR-37TKW-J**



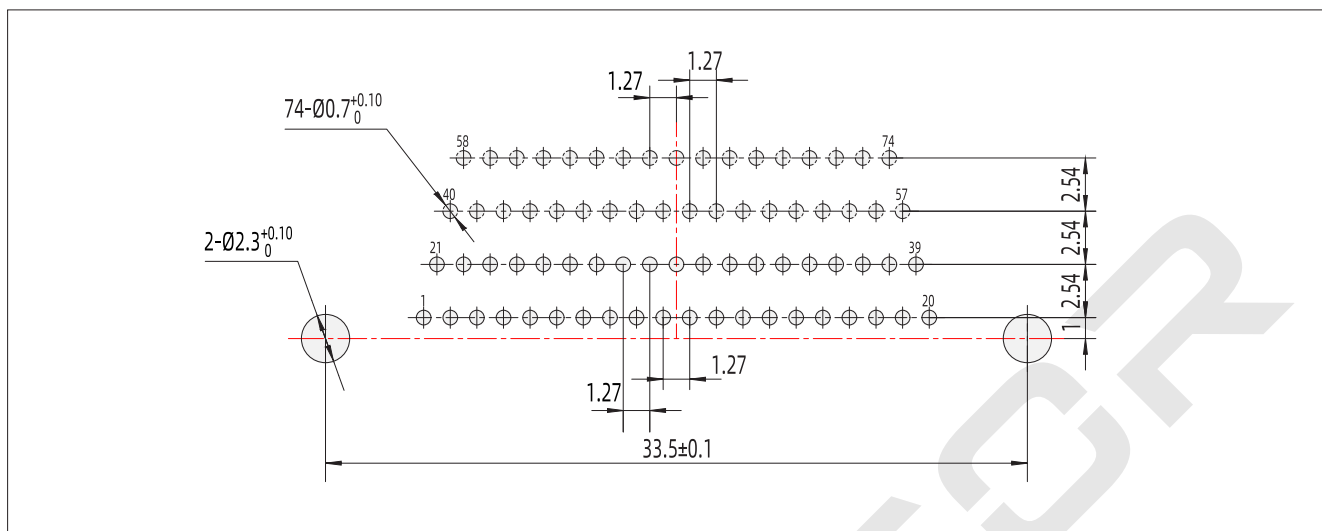
**J30JR-51TKW-J**



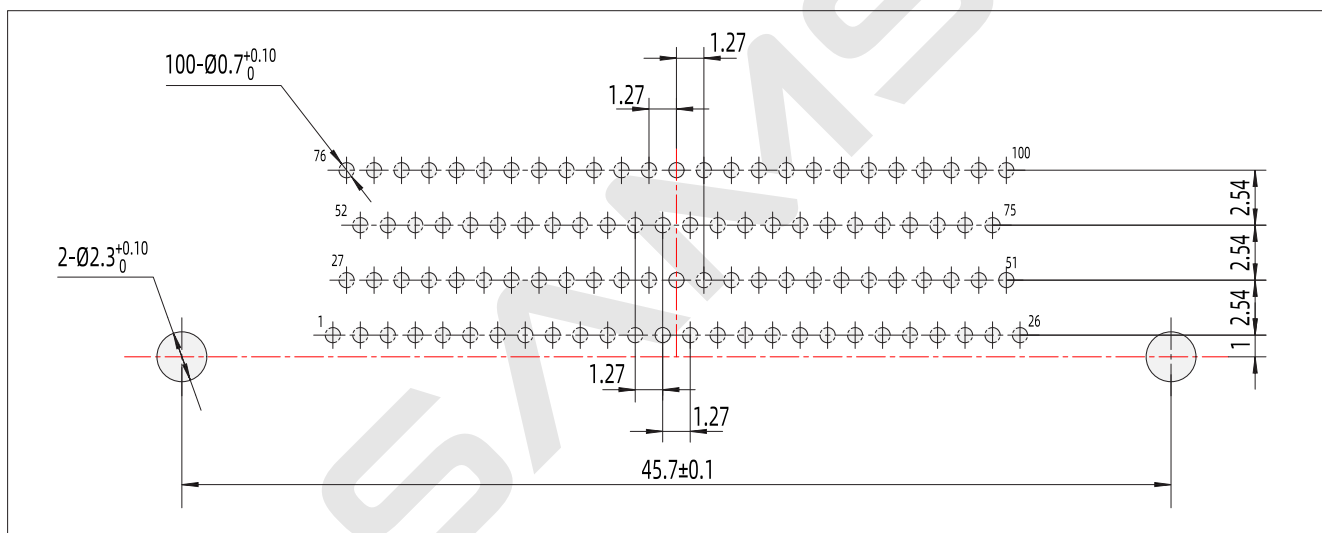
**J30JR-66TKW-J**

## J30JR-TKW-J PCB Cutout Dimensions

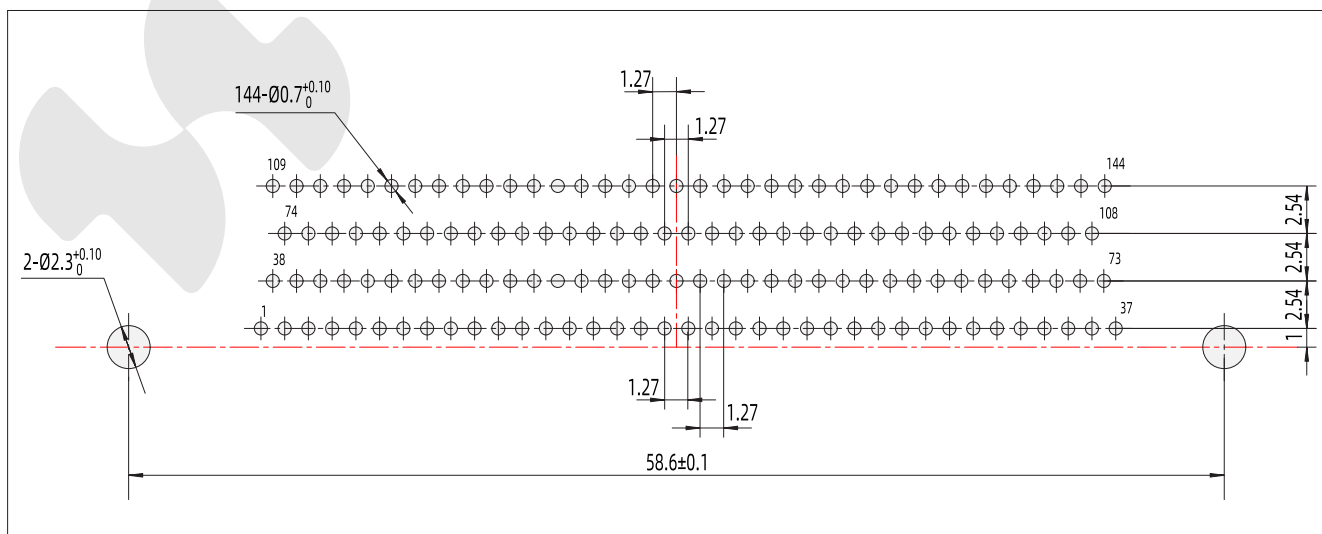
Connector-to-PCB Orientation View



J30JR-74TKW-J

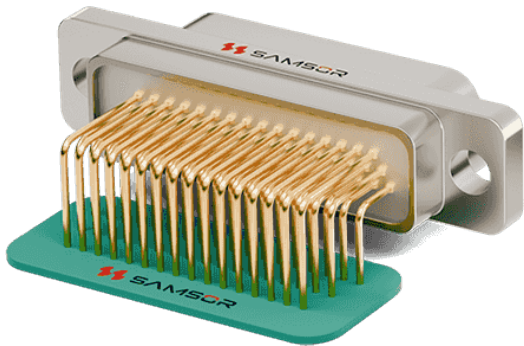


J30JR-100TKW-J

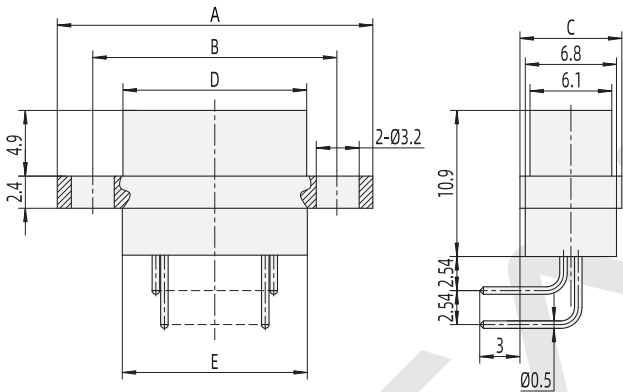


J30JR-144TKW-J

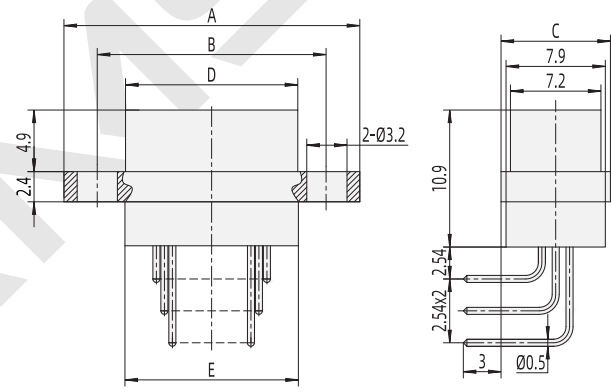
Receptacle with Pin Contacts - Right Angle PCB J30JR-ZJW-J



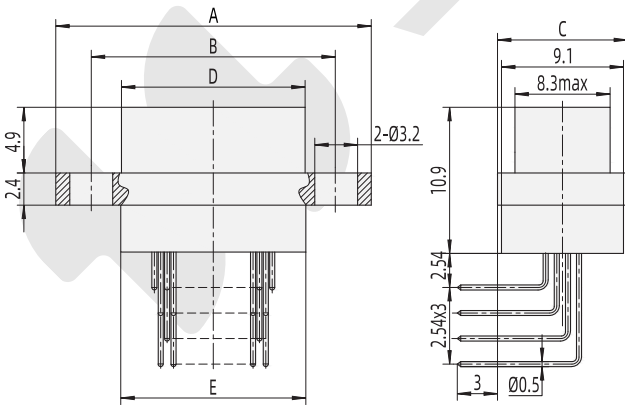
9~37 Pin



51~66 Pin



74~144 Pin

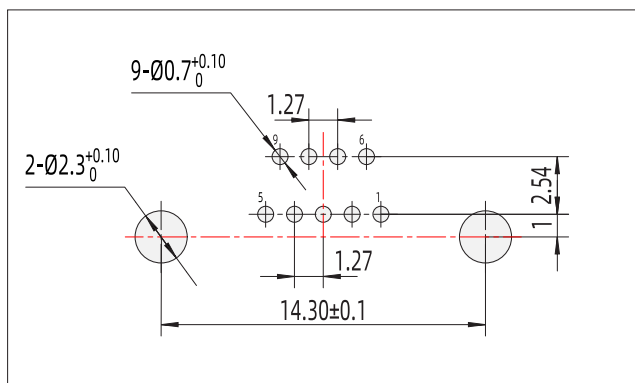


The termination is a Right-Angle Mount Printed Circuit Board, with a grid of 1.27mmx2.54mm

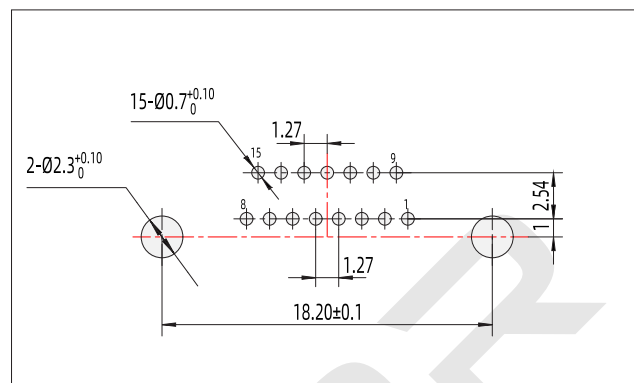
Type	A	B	C	D	E
J30JR-9ZJW-J	19.6	14.3	7.6	9.8	9.9
J30JR-15ZJW-J	23.5	18.2	7.6	13.7	13.8
J30JR-21ZJW-J	27.4	22	7.6	17.4	17.6
J30JR-25ZJW-J	29.8	24.5	7.6	20	20.2
J30JR-31ZJW-J	33.6	28.3	7.6	23.8	24
J30JR-37ZJW-J	37.4	32.2	7.6	27.7	27.8
J30JR-51ZJW-J	36.4	30.86	8.7	26.5	26.6
J30JR-66ZJW-J	42.9	37.3	8.7	32.9	33
J30JR-74ZJW-J	38.8	33.5	9.7	29	29.1
J30JR-100ZJW-J	54.7	45.7	9.7	36.6	36.6
J30JR-144ZJW-J	66.6	58.6	9.7	50.6	50.6

## J30JR-ZJW-J PCB Cutout Dimensions

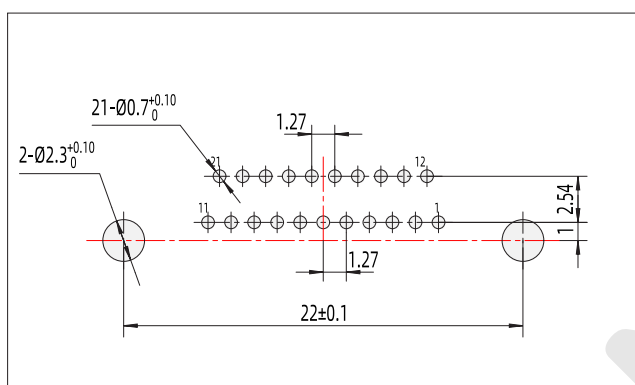
Connector-to-PCB Orientation View



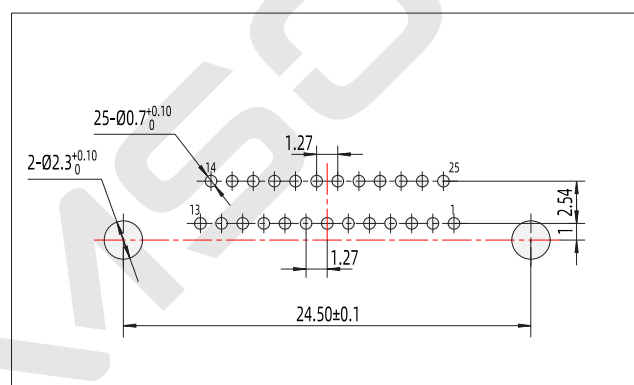
J30JR-9ZJW-J



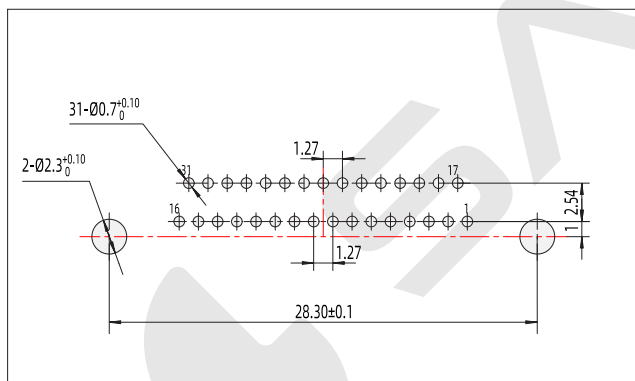
J30JR-15ZJW-J



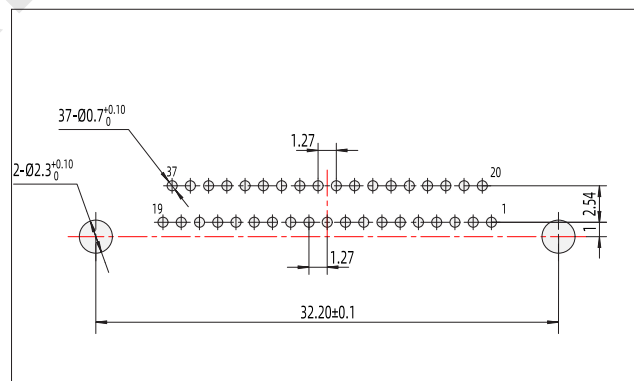
J30JR-21ZJW-J



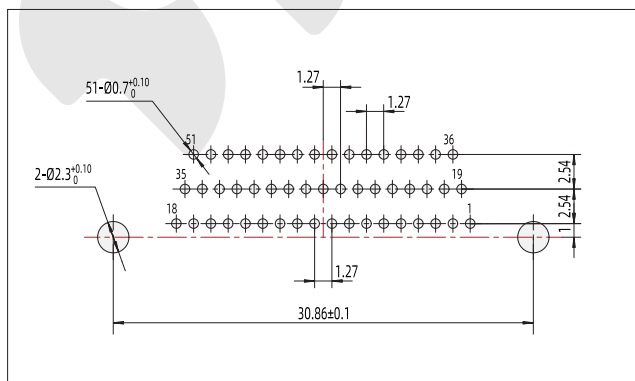
J30JR-25ZJW-J



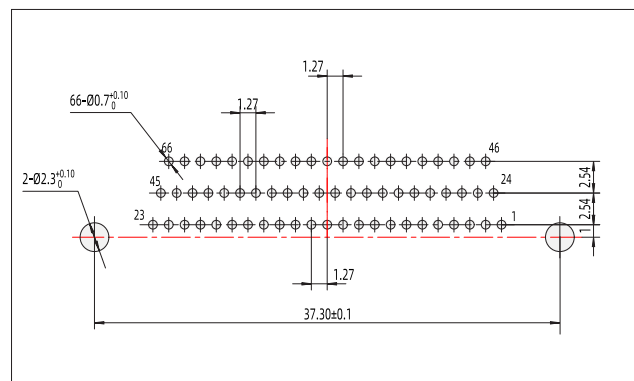
J30JR-31ZJW-J



J30JR-37ZJW-J



J30JR-51ZJW-J



J30JR-66ZJW-J

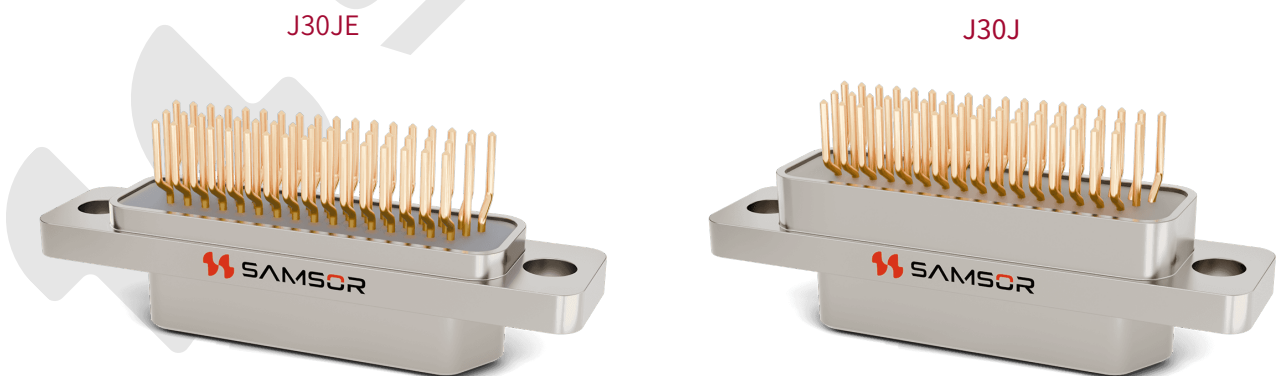


- J30JC series - The shell material is tin phosphorus bronze with nickel plating on the surface, and the rest is the same as the J30J basic type
  - J30JN series - High temperature resistance -55°C ~+250°C , the rest is the same as J30J basic type
  - J30JS series - The shell material is stainless steel, and the rest is the same as the J30J basic type
  - J30JM1 series - glass sintering gas seal, (air leakage  $1 \times 10^{-3}$ Pa.cm<sup>3</sup>/s; Contact resistance 30mΩ; dielectric withstand voltage 300V AC, other indicators are exactly the same as J30J)
  - J30JE type - The shell tail is shortened, and the overall height is reduced, and the rest is the same as the J30J basic type
- For specific dimensions and detailed specifications of the above series, please contact us to obtain the specification sheets and 3D models

### ■ J30JM1 Series - 3D schematic diagram

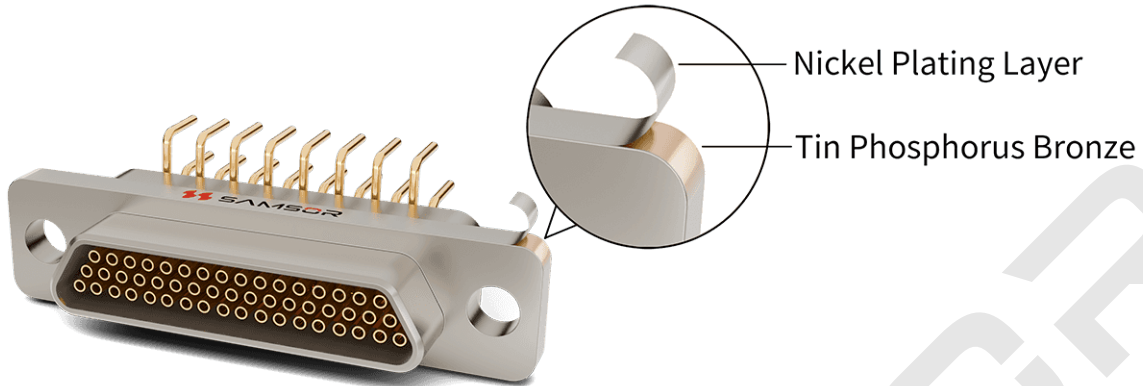


### ■ J30JE Series - 3D schematic diagram

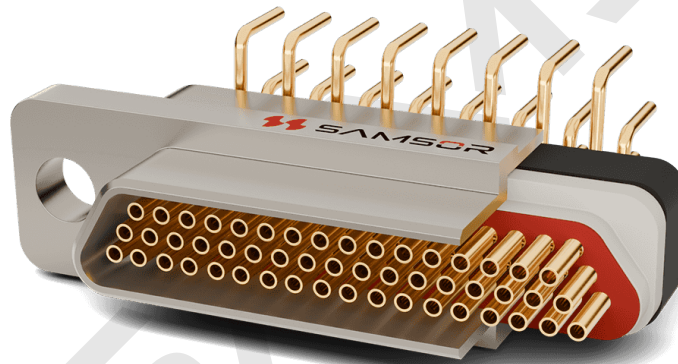


■ Compare J30JE with standard J30J series

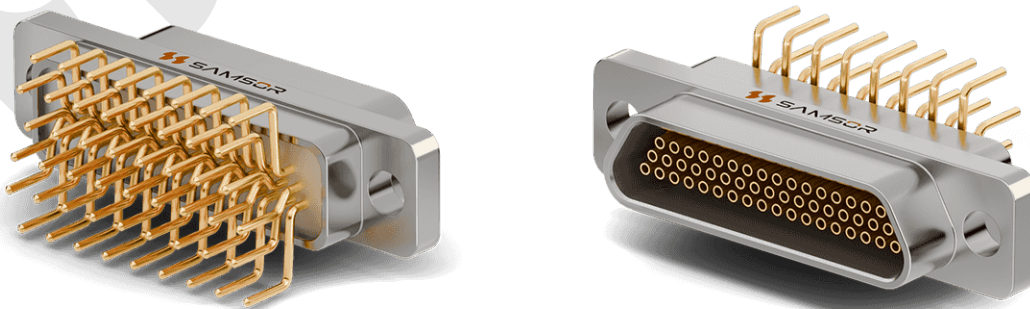
**J30JC Series - 3D schematic diagram**



**J30JN Series - 3D schematic diagram**



**J30JS Series - 3D schematic diagram**



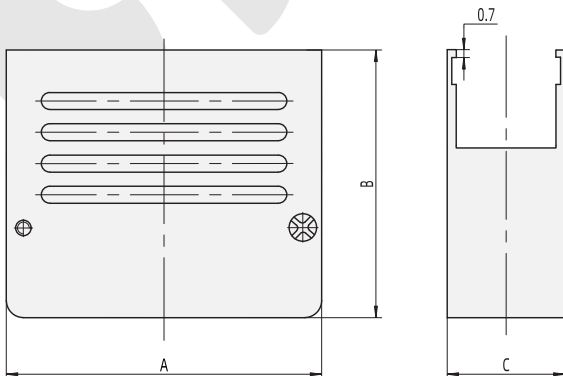
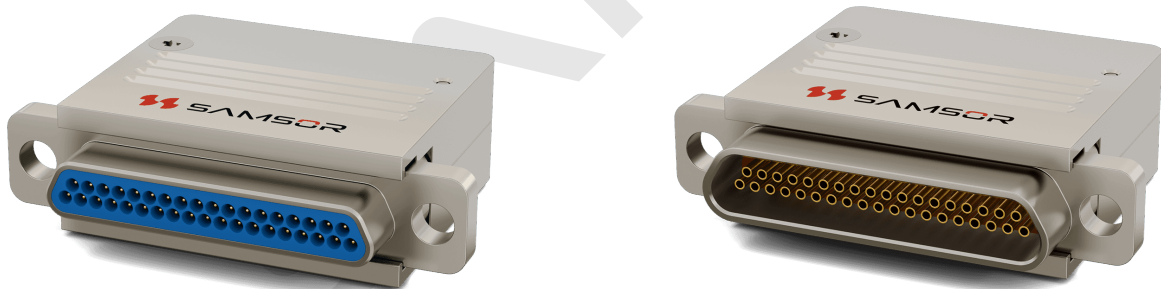
## J30J Series - Backshell Accessory-A1

- A1 type - Can be ordered separately, Model J30J-nA1
- Product Model: J30J-9、15、21、25、31、37、51、66、74、100TJ/ZK-A1( Pre-wired )      TJS/ZKS-A1(Solder Cup)
- Product Model: J30JR-9、15、21、25、31、37、51、66、74、100TK/ZJ-A1 (Reversed Mount Series、 Pre-wired)  
TKS/ZJS-A1(Reversed Mount Series、 Solder Cup)

### Backshell Styles



### Assembly Style J30J-TJ/ZK-A1

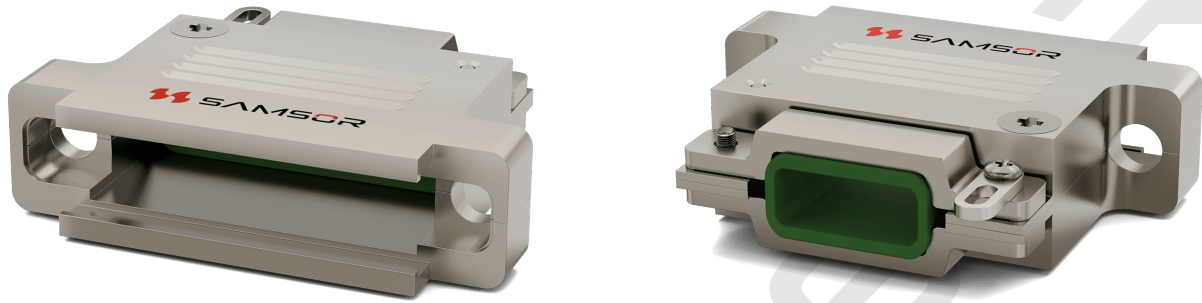


Backshell Type J30J-x A1	A	B	C
J30J-9A1	9.9	23.6	10.4
J30J-15A1	13.8	23.6	10.4
J30J-21A1	17.6	23.6	10.4
J30J-25A1	20.2	23.6	10.4
J30J-31A1	24	23.6	10.4
J30J-37A1	27.8	23.6	10.4
J30J-51A1	26.6	26.6	11.2
J30J-66A1	33	26.6	11.2
J30J-74A1	29.1	30	12
J30J-100A1	40.7	30	12

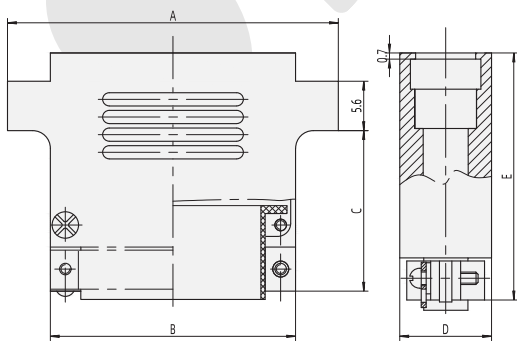
## J30J Series - Backshell Accessory-A3

- A3 type - Can be ordered separately, Model J30J-nA3
- Product Model: J30J-9、15、21、25、31、37、51、66、74、100TJ/ZK-A3( Pre-wired )      TJS/ZKS-A3(Solder Cup)
- Product Model: J30JR-9、15、21、25、31、37、51、66、74、100TK/ZJ-A3 (Reversed Mount Series、 Pre-wired)  
TKS/ZJS-A3(Reversed Mount Series、 Solder Cup)

### Backshell Styles



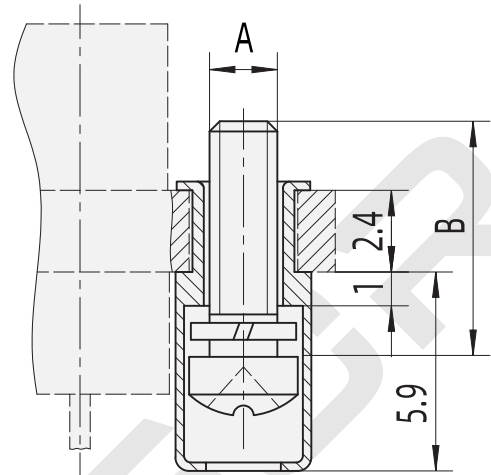
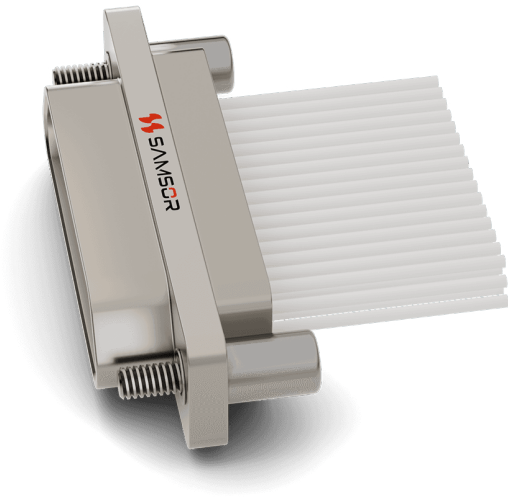
### Assembly Style J30J-TJ/ZK-A3



Backshell Type J30J-x A3	A	B	C	D	E
J30J-9A3	19.6	9.9	18.2	10.4	27
J30J-15A3	23.5	13.8	18.2	10.4	27
J30J-21A3	27.4	17.6	19.2	10.4	28
J30J-25A3	29.8	20.2	19.2	10.4	28
J30J-31A3	33.6	24	19.2	10.4	28
J30J-37A3	37.4	27.8	19.2	10.4	28
J30J-51A3	36.4	26.6	21.2	11.2	30
J30J-66A3	42.9	33	21.2	11.2	30
J30J-74A3	38.8	29.1	21.2	12	30
J30J-100A3	54.7	40.7	21.2	12	30

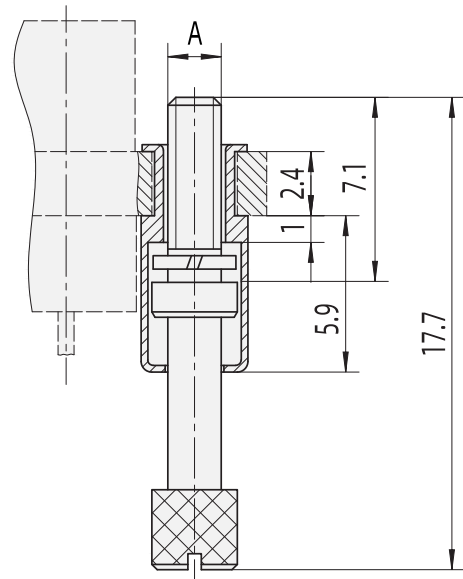
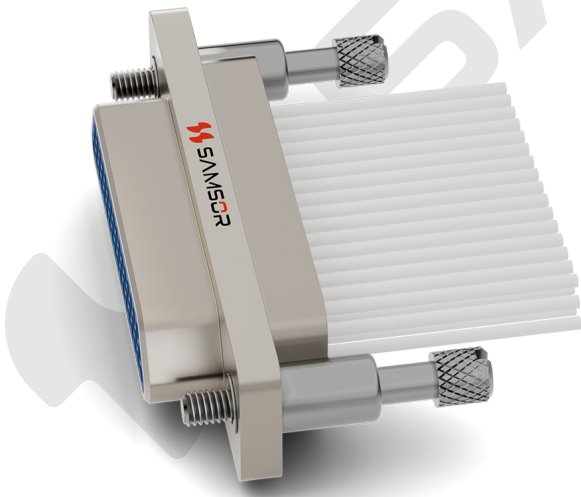
## Hardware - Free End

L、L1、L8



Component Identifier	A	B	Instructions
L	M2-6h	7.1	Phillips Jackscrew (default Phillips Jackscrew of our company)
LA	M2-6h	7.1	Slot Head Jackscrew
L1	M2-6h	11.5	Special for locking with J30J-ZK-Q4 series products
L8	0.866-56UNC-2A	7.1	Imperial thread, for mating and locking with P1 type

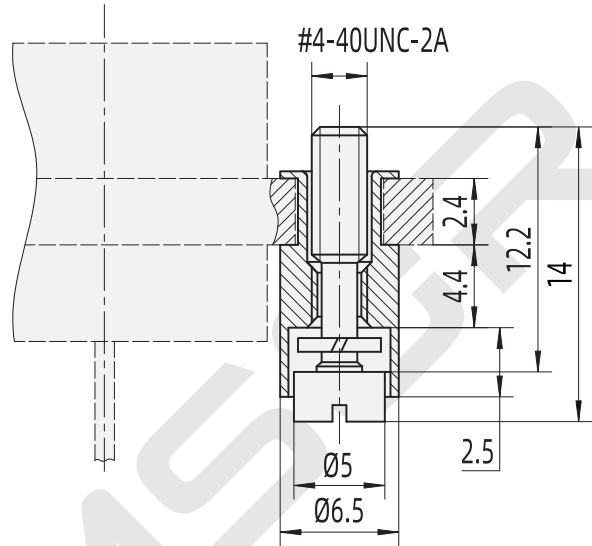
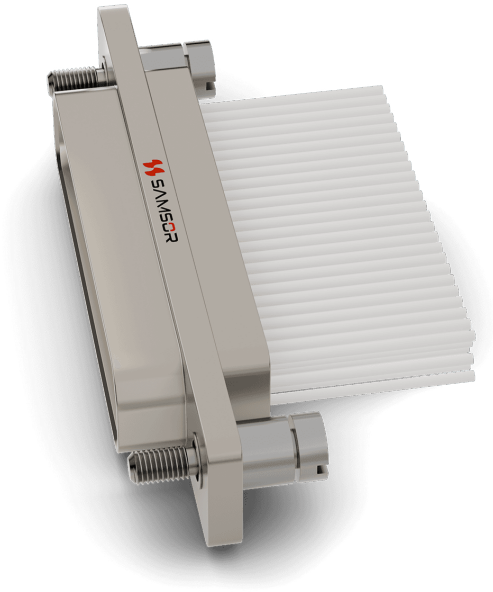
K、K1



Component Identifier	A	Instructions
K	M2-6h	Extended Jackscrew with knurl, slotted head
K1	0.866-56UNC-2A	Imperial Thread

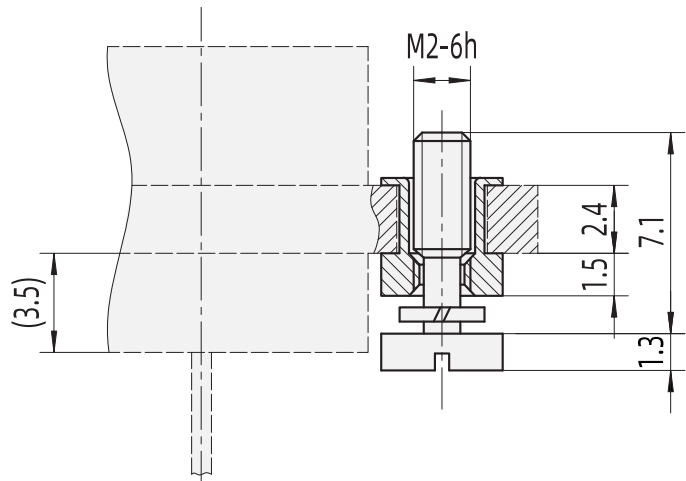
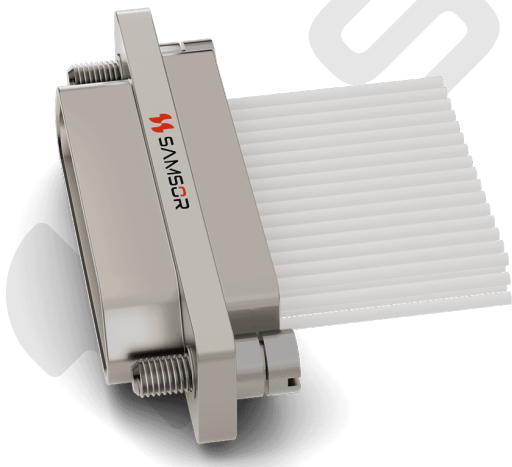
Hardware - Free End

L2



Component Identifier	Instructions
L2	Slot head, captive structure

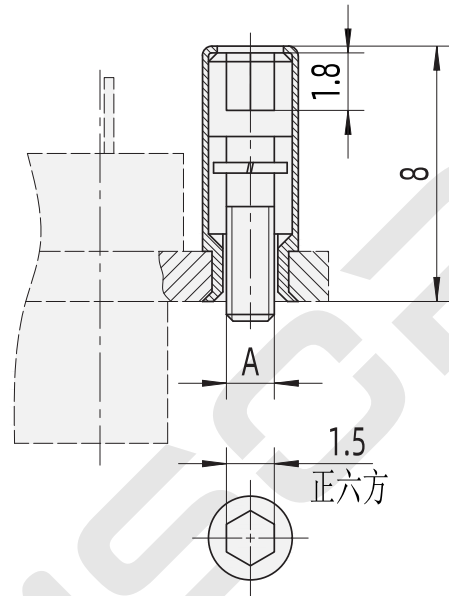
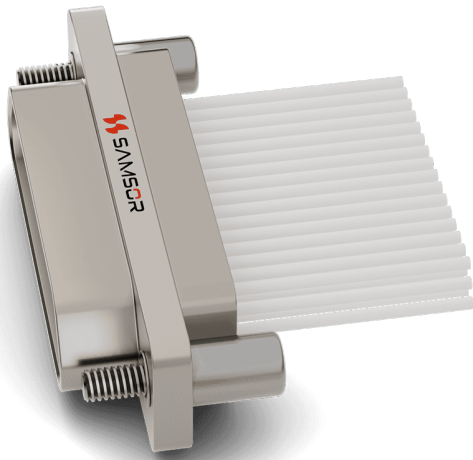
L7



Component Identifier	Instructions
L7	Slot head, Jackscrew end below housing end face

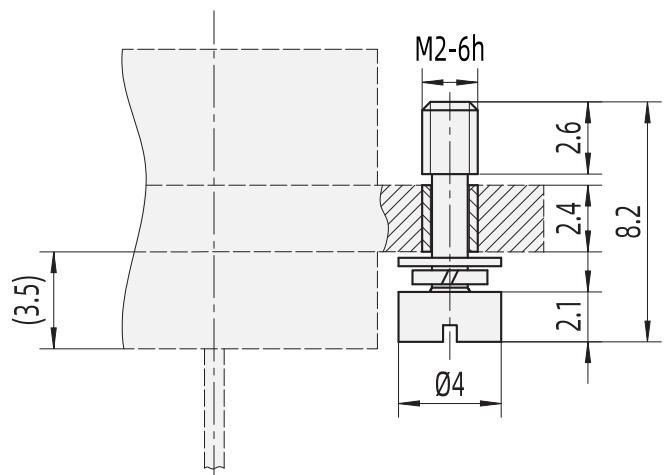
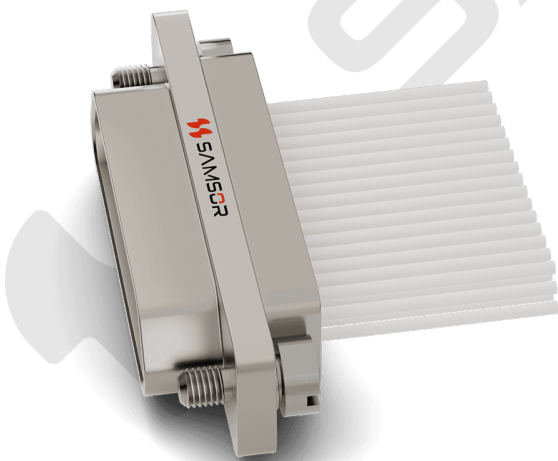
Hardware - Free End

L20, L21



Component Identifier	A	Instructions
L20	M2-6h	Hex Head Jackscrew
L21	0.866-56UNC-2A	Imperial Thread, for locking with P1 type

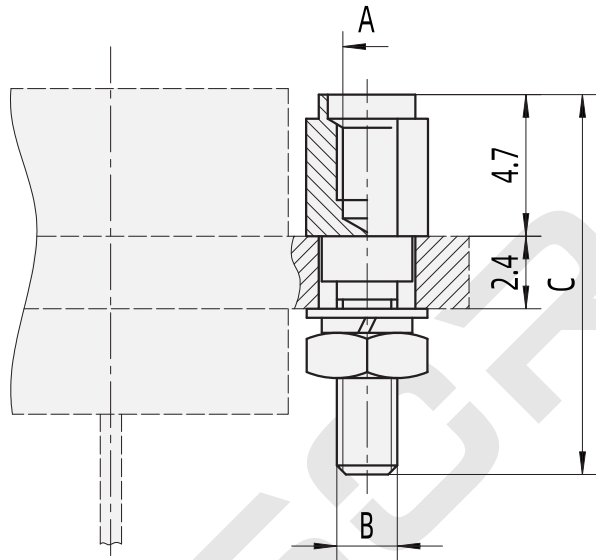
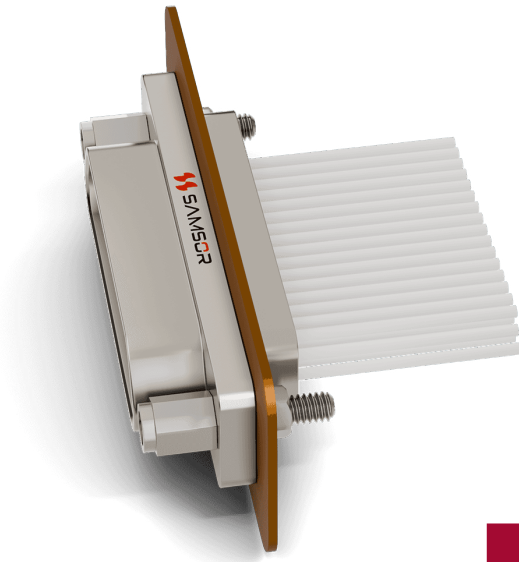
L9



Component Identifier	Instructions
L9	Only applicable to J30JD series products

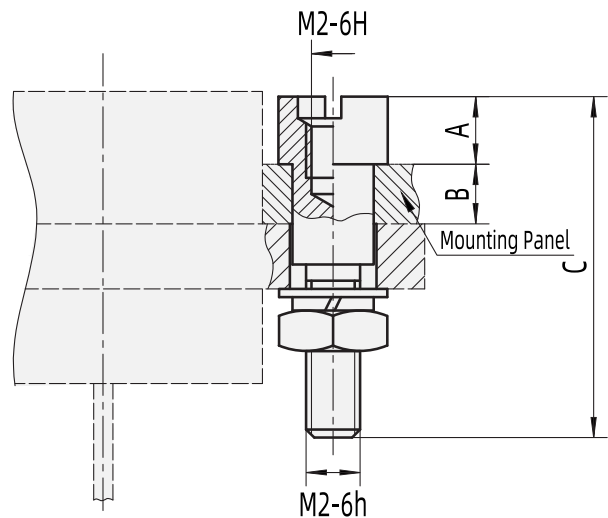
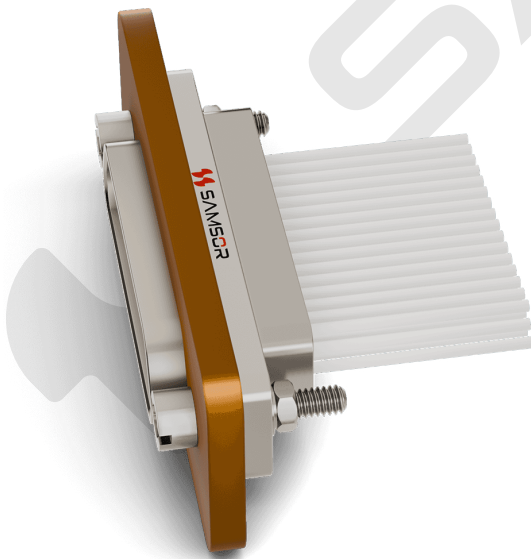
## Hardware - Fixed End

P、P1、P8、P9、P88 (Front Panel Mount)



Component Identifier	A	B	C	Instructions
P	M2-6H	M2-6h	12.6	
P1	0.866-56UNC-2B	0.866-56UNC-2A	12.6	Imperial Thread
P8	M2-6H	M2-6h	15.6	
P9	M2-6H	M2-6h	21.6	
P88	M2-6H	M2-6h	11.5	

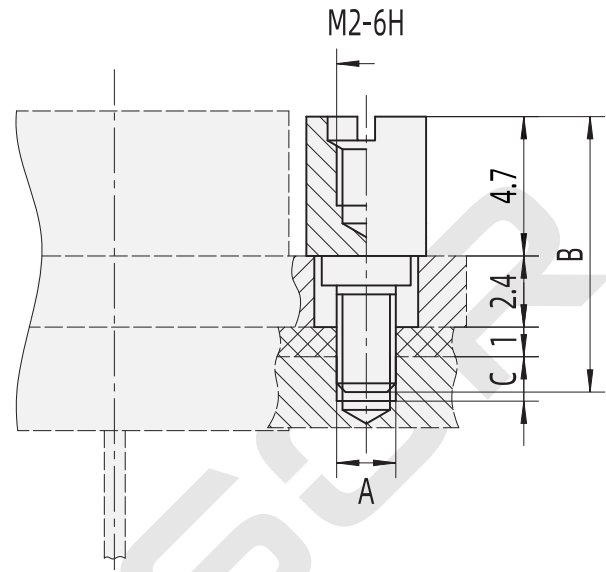
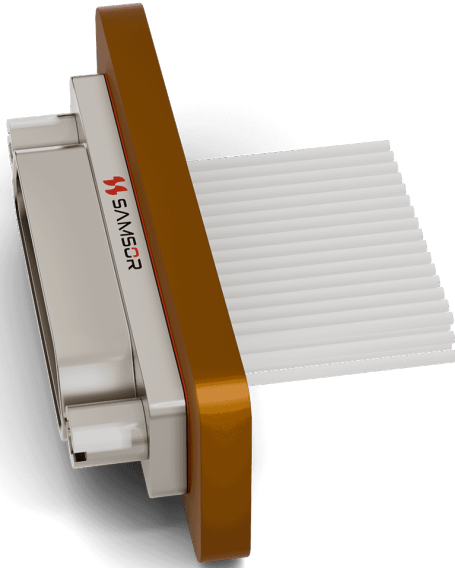
P0、P3、P4、P11、P45 (Rear Panel Mount)



Component Identifier	A	B	C	Instructions
P0	4.1	0.6	12.6	Rear Panel Mount, Choose the appropriate type based on the thickness of the panel
P3	3.3	1.4	12.6	
P4	2.5	2.2	12.6	
P11	1.3	3.4	12.6	
P45	2.7	2	20	

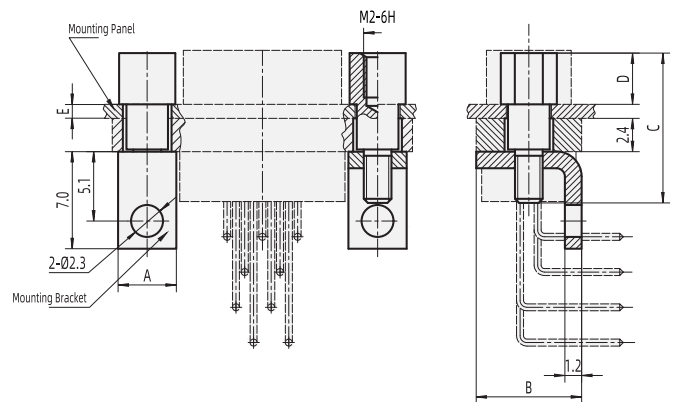
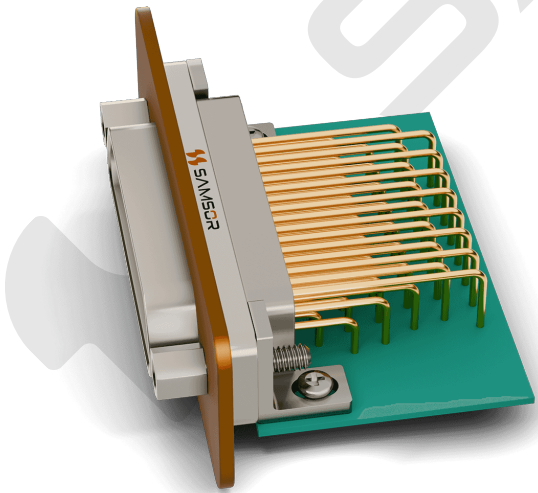
## Hardware - Fixed End

P29、P36、P37、P43 (Front Panel Mount - Hermetic)



Component Identifier	A	B	C	Instructions
P29	M3-6h	10.5	3.3	For J30JM epoxy-sealed Version-Mounting Holes with Blind Holes
P36	M3-6h	14.7	7	
P37	M2-6h	10	2.8	
P43	M3-6h	11.7	4	

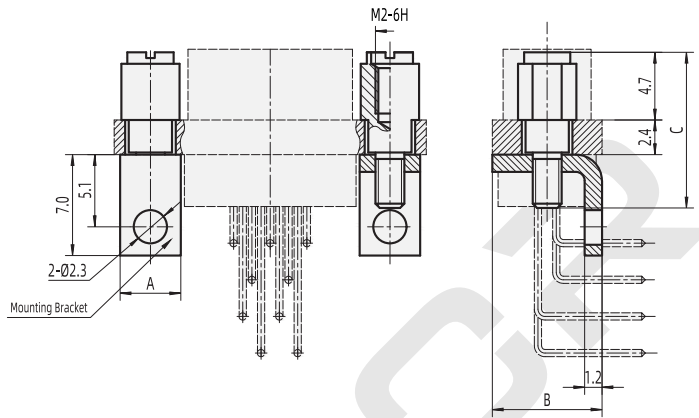
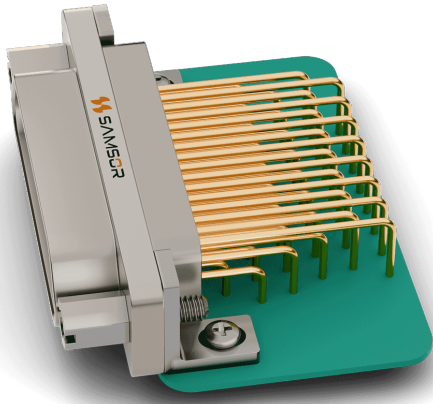
P2、P14 (Right - Angle PCB - Rear Panel Mount)



Contacts	A	B	C		D		E	
			P2	P14	P2	P14	P2	P14
9-37	4.2	7.6	11.6	10.7	3.7	1.7	1	3
51、66	4.2	8.7	11.6	10.7	3.7	1.7	1	3
74	4.2	9.7	11.6	10.7	3.7	1.7	1	3
100	8.8	9.7	11.6	10.7	3.7	1.7	1	3

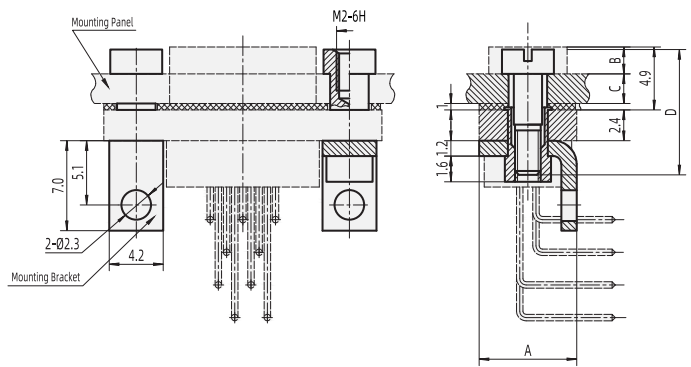
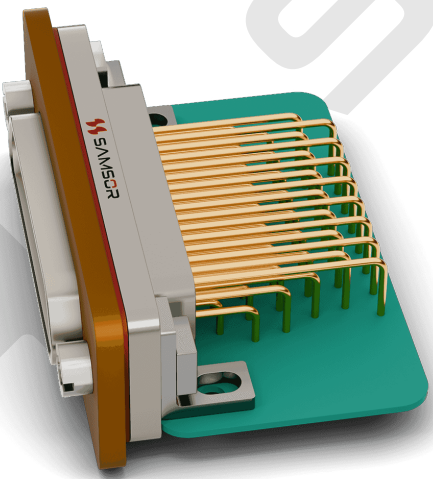
**Hardware - Fixed End**

P7, P42 (Right - Angle PCB - Front Panel Mount)



Contacts	A	B	C	
			P7	P42
9-37	4.2	7.6	10.7	9.7
51, 66	4.2	8.7	10.7	9.7
74	4.2	9.7	10.7	9.7
100	8.8	9.7	10.7	9.7

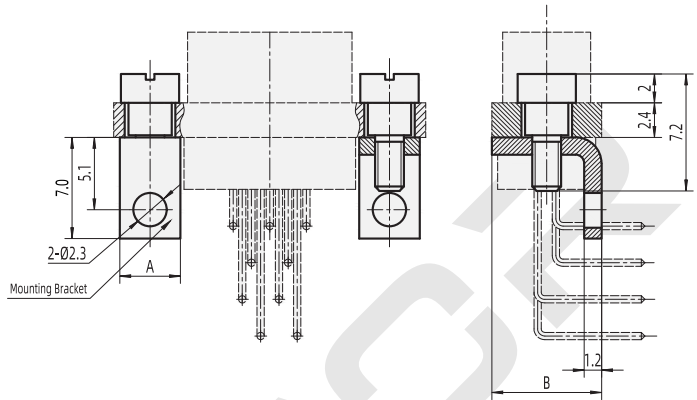
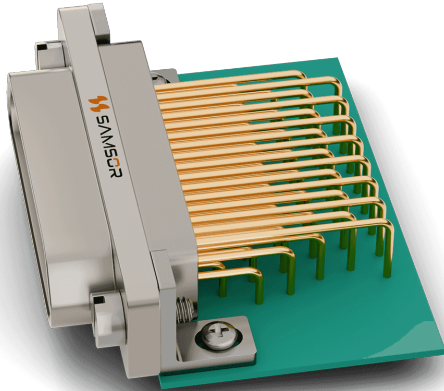
P15, P35 (Right - Angle PCB - J30J - Q8 Special for Rear Panel Mount)



Contacts	A	B		C		D	
		P15	P35	P15	P35	P15	P35
9-37	7.6	1.9	2.4	2.5	1.8	9.7	9.5
51	8.7	1.9	2.4	2.5	1.8	9.7	9.5

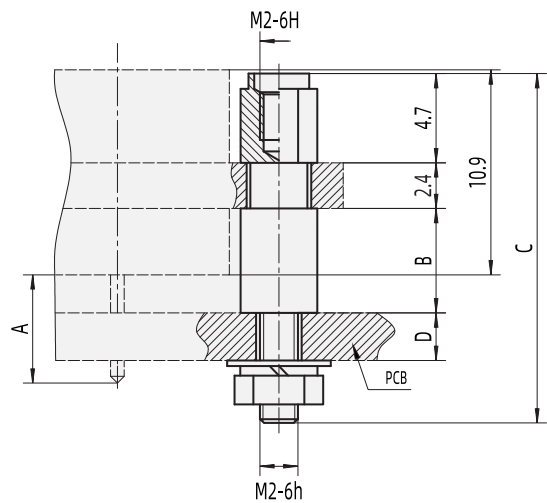
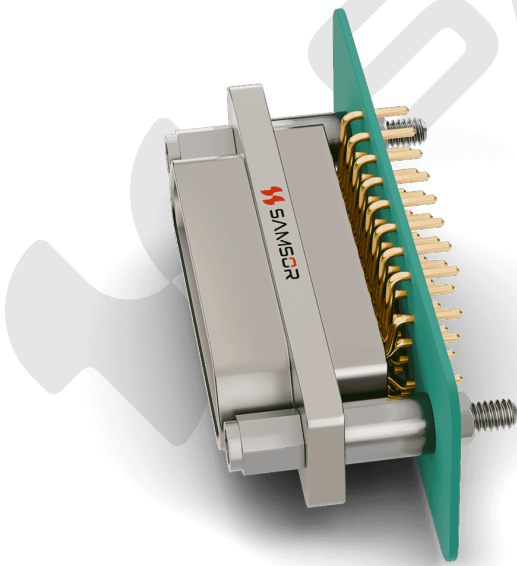
## Hardware - Fixed End

V1 (Right - Angle PCB Mount - No locking required)



Contacts	A	B	Instructions
9-37	4.2	7.6	Suitable for plug and receptacle products without locking
51、66	4.2	8.7	
74	4.2	9.7	
100	8.8	9.7	

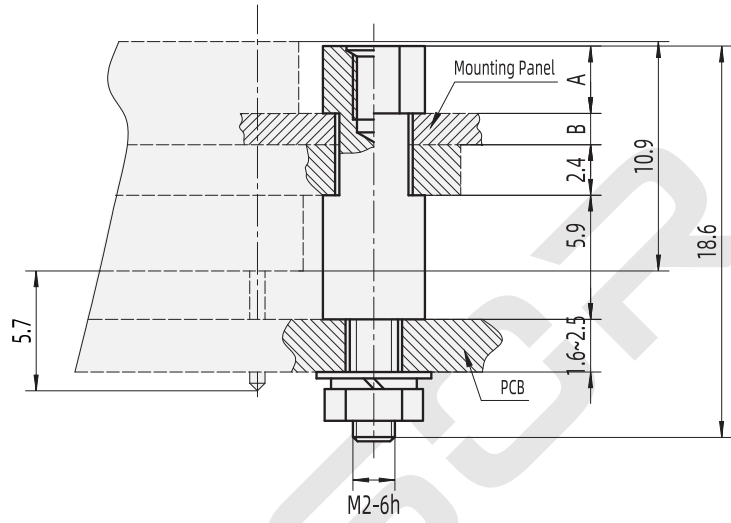
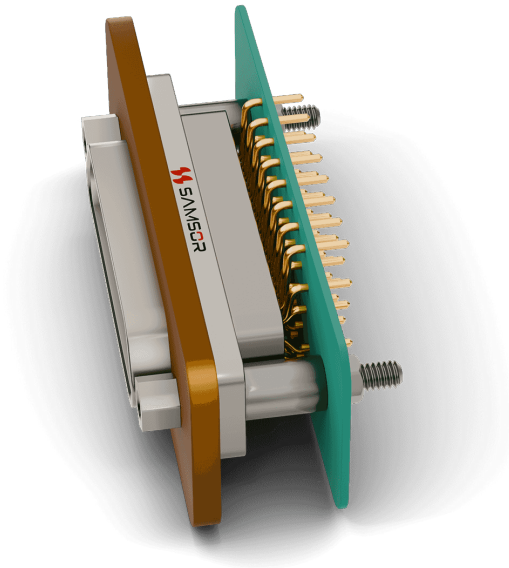
P5、P10、P23、P25 (Vertical PCB Mount - Front Panel Mount)



Component Identifier	A	B	C	Applicable Panel Thickness
P5	5.7	5.9	18.6	1.6~2.5
P10	8	8.4	20.5	1.6~2.5(Special for extended pins)
P25	5.7	5.9	20.5	1.6~2.5
	8	5.9	20.5	1.6~4.8
P23	5.7	5.9	17.8	1.6

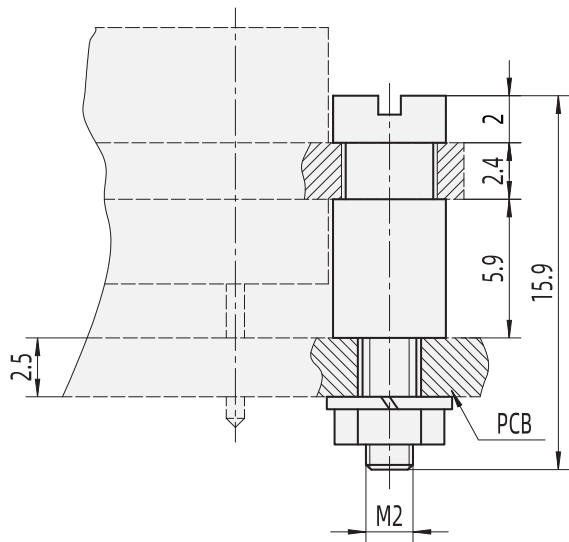
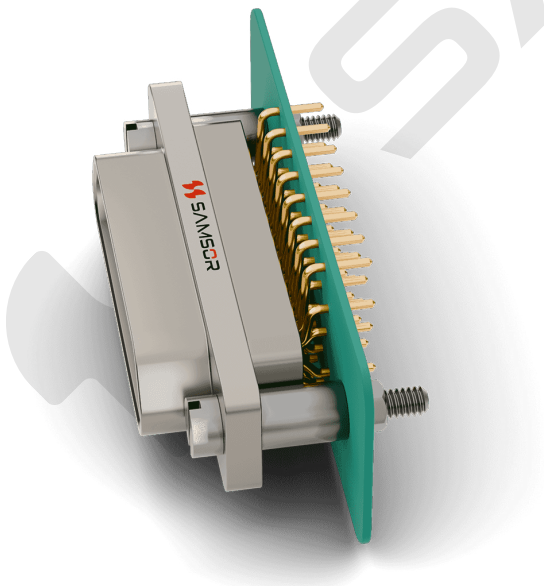
**Hardware - Fixed End**

**P32、P41 (Vertical PCB Mount - Rear Panel Mount)**



Component Identifier	A	B	Applicable Panel Thickness
P32	2.7	2	1.6~2.5
P41	3.2	1.5	1.6~2.5

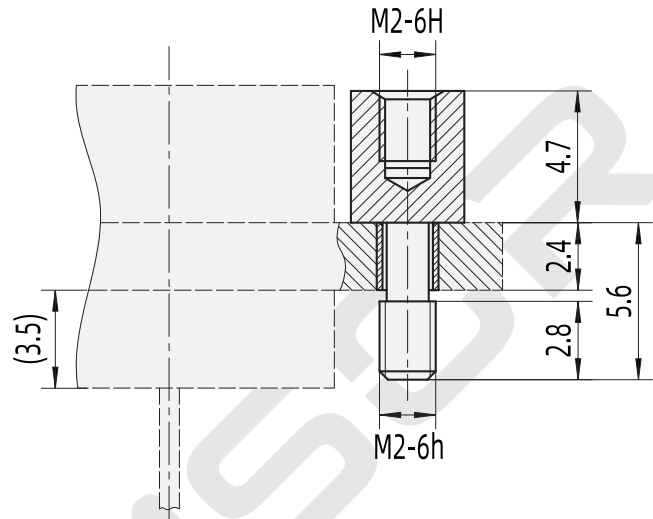
**V (Vertical PCB Mount - Locking Hardware Not Required)**



**Instructions**  
Suitable for plug and receptacle products without locking, and PCB thickness ≤ 2.5 mm

## Hardware - Fixed End

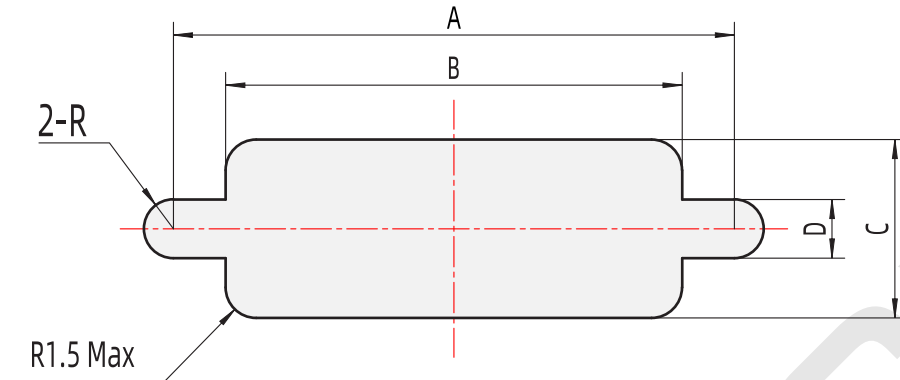
P46 (Special for J30JD product - Front Panel Mount)



### Instructions

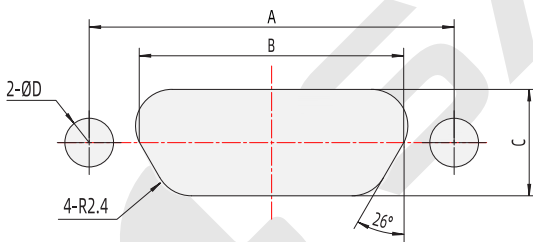
Installation hole with thread

**J30J Regular Series - Panel Cutout Dimensions - Front Panel Mount**

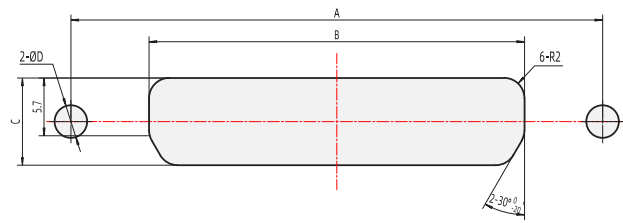


Type (Front Panel Mount)	Contacts	9	15	21	25	31	37	51	66	74	100
J30J-TJ/ZK, J30J-TJ/ZK-D, J30J-TJ/ZK-G, J30JE-TJS/ZKS, J30JS-TJ/ZK, J30JC-TJ/ZK, J30JM-ZK, J30JM-ZKS, J30JM1-ZKS, J30JR-TK/ZJ	A	14.3	18.2	22	24.5	28.3	32.2	30.86	37.3	33.5	45.7
	B	10.2	14.1	17.9	20.5	24.3	28.1	26.9	33.4	29.4	37
	C	7	7	7	7	7	7	8.1	8.1	9.3	9.3
	D	2.3	2.3	2.3	2.3	2.3	2.3	2.3	2.3	2.3	2.3

**J30J Regular Series - Panel Cutout Dimensions - Rear Panel Mount**



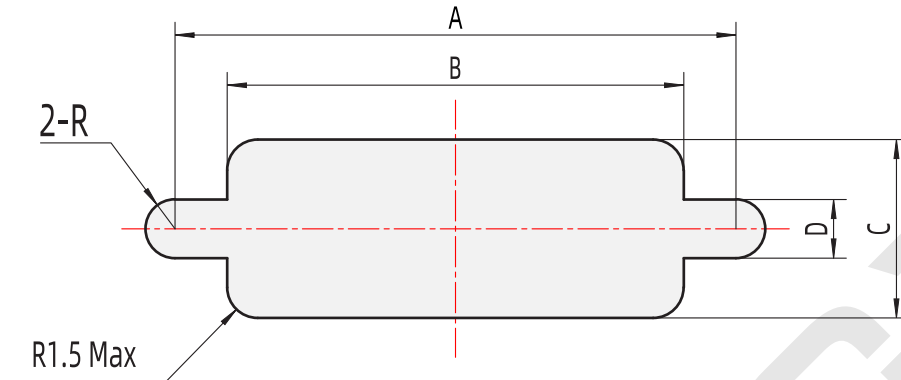
J30J-9~74



J30J-100

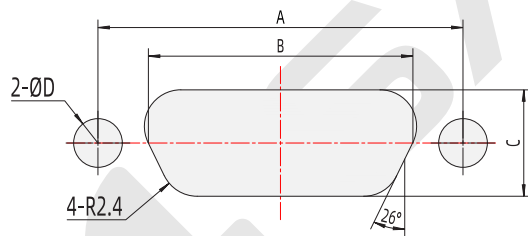
Type (Rear Panel Mount)	Contacts	9	15	21	25	31	37	51	66	74	100
J30J-TJ/ZK, J30JE-TJ/ZKS, J30JS-TJ/ZK, J30J-TJ/ZK-D	A	14.3	18.2	22	24.5	28.3	32.2	30.86	37.3	33.5	45.7
	B	10.2	14.1	17.9	20.5	24.3	28.1	26.9	33.4	29.4	37
	C	6.3	6.3	6.3	6.3	6.3	6.3	7.4	7.4	8.6	8.6
	D	3.2	3.2	3.2	3.2	3.2	3.2	3.2	3.2	3.2	3.2

## J30J TJ/ZK-Q - Panel Cutout Dimensions - Front Panel Mount

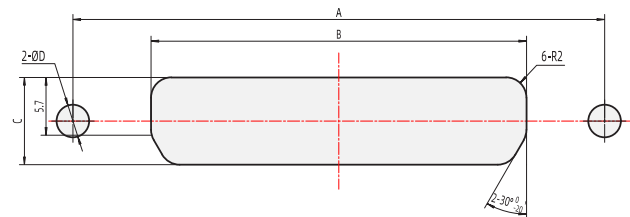


Type (Front Panel Mount)	Contacts	9	15	21	25	31	37	51	66	74	100	
J30J-TJ/ZK-Q	A	21	24.9	28.7	31.2	35	38.9	37.6	44	40.2	52.4	
	B	10.2	14.1	17.9	20.5	24.3	28.1	26.9	33.4	29.4	37	
	C	7	7	7	7	7	7	8.1	8.1	9.3	9.3	
	D	2.3	2.3	2.3	2.3	2.3	2.3	2.3	2.3	2.3	2.3	

## J30J TJ/ZK-Q - Panel Cutout Dimensions - Rear Panel Mount



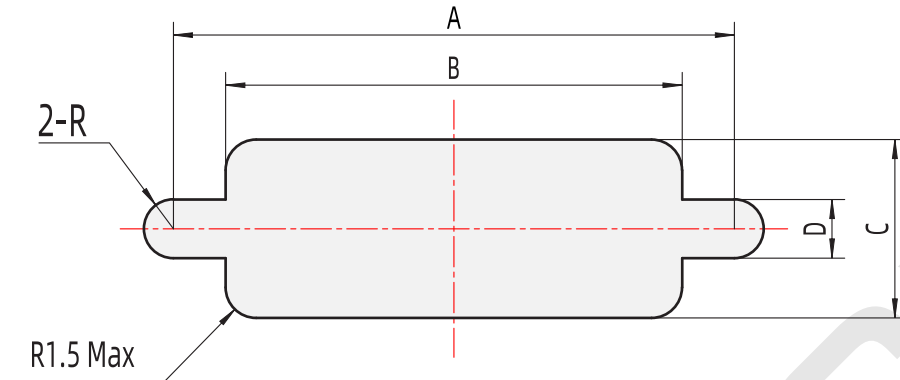
J30J-9~74



J30J-100

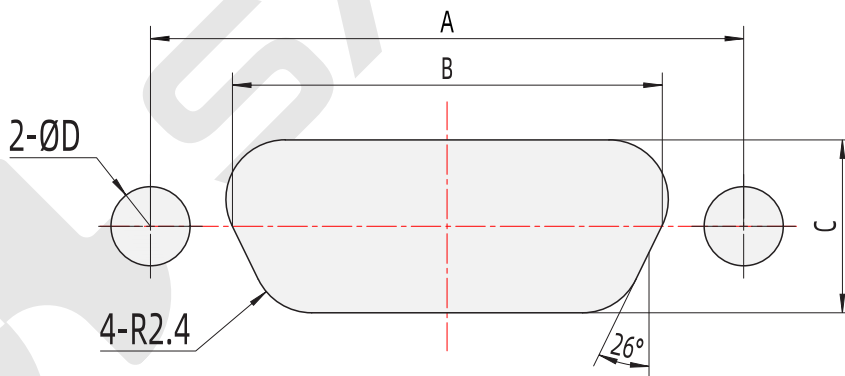
Type (Rear Panel Mount)	Contacts	9	15	21	25	31	37	51	66	74	100	
J30J-TJ/ZK-Q	A	21	24.9	28.7	31.2	35	38.9	37.6	44	40.2	52.4	
	B	10.2	14.1	17.9	20.5	24.3	28.1	26.9	33.4	29.4	37	
	C	6.3	6.3	6.3	6.3	6.3	6.3	7.4	7.4	8.6	8.6	
	D	3.2	3.2	3.2	3.2	3.2	3.2	3.2	3.2	3.2	3.2	

**J30J-TJ/ZK-Q8 - Panel Cutout Dimensions - Front Panel Mount**



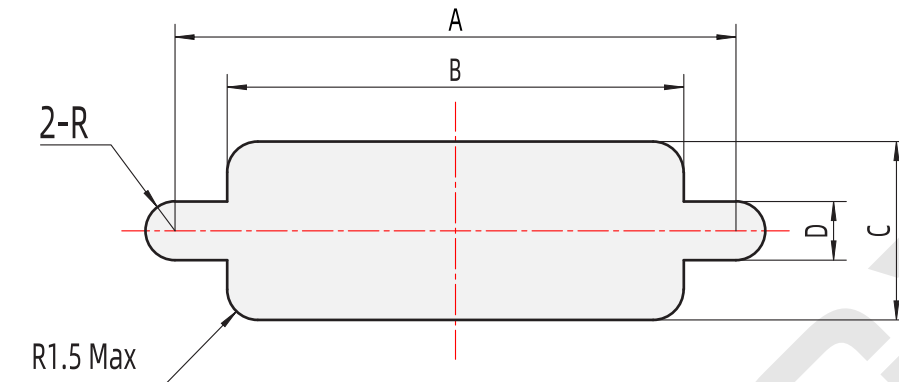
Type (Front Panel Mount)	Contacts	9	15	21	25	31	37	51				
J30J-TJ/ZK-Q8	A	16.1	20	23.8	26.3	30.1	34	32.6				
	B	12	15.9	19.7	22.3	26.1	29.9	28.7				
	C	7	7	7	7	7	7	8.1				
	D	2.3	2.3	2.3	2.3	2.3	2.3	2.3				

**J30J-TJ/ZK-Q8 - Panel Cutout Dimensions - Rear Panel Mount**



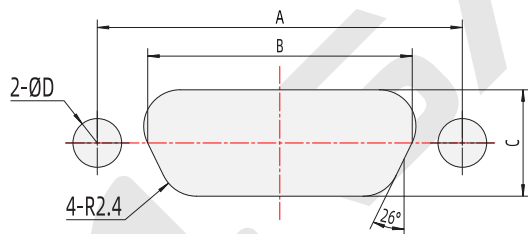
Type (Rear Panel Mount)	Contacts	9	15	21	25	31	37	51				
J30J-TJ/ZK-Q8	A	16.1	20	23.8	26.3	30.1	34	32.6				
	B	12	15.9	19.7	22.3	26.1	29.9	28.7				
	C	6.3	6.3	6.3	6.3	6.3	6.3	7.4				
	D	3.2	3.2	3.2	3.2	3.2	3.2	3.2				

### J30JA Quick - lock - Panel Cutout Dimensions - Front Panel Mount

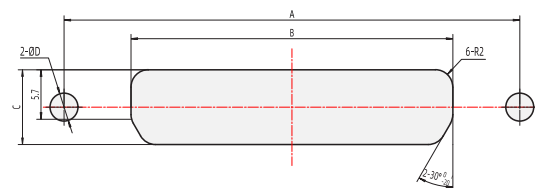


Type (Front Panel Mount)	Contacts	9	15	21	25	31	37	51	66	74	100	144
J30JA-ZK	A	18.6	22.6	26.3	28.9	32.7	36.6	35.3	41.7	37.8	45.3	59.3
	B	10.2	14.1	17.9	20.5	24.3	28.1	26.9	33.5	29.4	37	51
	C	7	7	7	7	7	7	8.1	8.1	9.3	9.3	9.3
	D	2.3	2.3	2.3	2.3	2.3	2.3	2.3	2.3	2.3	2.3	2.3

### J30J-C Right Angle Exit - Panel Cutout Dimensions - Rear Panel Mount



J30J-C-9~74



J30J-C-100

Type (Rear Panel Mount)	Contacts	9	15	21	25	31	37	51	66	74	100	
J30J-TJ/ZK-C	A	14.3	18.2	22	24.5	28.3	32.2	30.86	37.3	33.5	45.7	
	B	10.2	14.1	17.9	20.5	24.3	28.1	26.9	33.4	29.4	37	
	C	6.3	6.3	6.3	6.3	6.3	6.3	7.4	7.4	8.6	8.6	
	D	3.2	3.2	3.2	3.2	3.2	3.2	3.2	3.2	3.2	3.2	