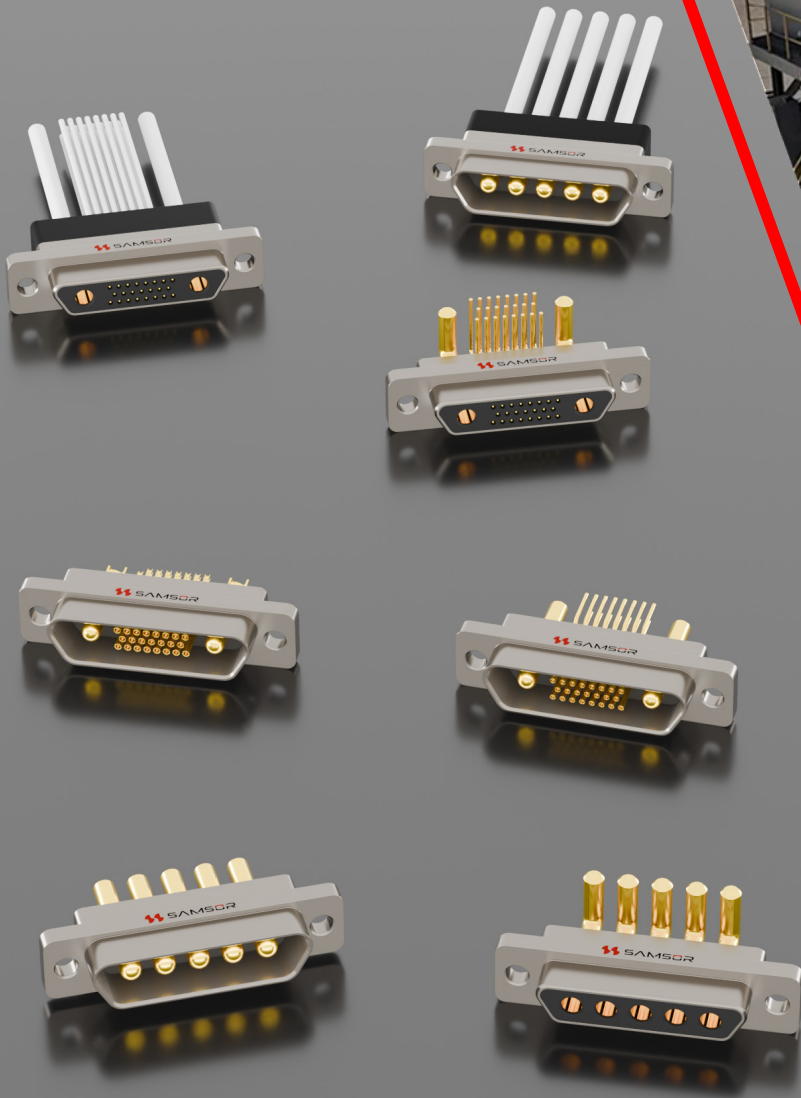








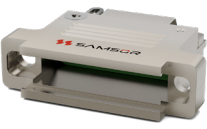



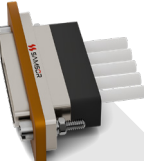
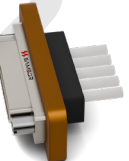






# J30J Hybrid Micro-D Connector



# Product Selection Guide

J30J Signal and Power Contacts					
					
<b>3</b>	<b>4</b>	<b>5</b>			
Pre-wired Plug		Pre-wired Receptacle		Solder Cup Plug	
					
<b>6</b>	<b>7</b>	<b>10</b>			
Solder Cup Receptacle		Vertical PCB Plug		Vertical PCB Receptacle	
					
<b>13</b>	<b>16</b>				
Right Angle PCB Plug		Right Angle PCB Receptacle			

J30J Signal and Power Contacts Accessories, Hardware and Cutout Dimensions			
			
<b>19</b>	<b>20</b>	<b>20</b>	<b>21</b>
A3 Backshell	L00	K00	P00, P12
			
<b>21</b>	<b>22</b>	<b>22</b>	<b>23</b>
P05, P06, P07, P08, P09	P11	P03, P111, P13, P54	P04
			
<b>23</b>	<b>24</b>		
P10	Front/Rear Panel Cutout Dimensions		

## Features

Mixed Signal and Power contacts

Features a metal housing

Suitable for wire cross sectional area: 0.1 ~ 0.15 mm<sup>2</sup> (for signal contacts) ; 2.0, 3.0 mm<sup>2</sup> (for power contacts)

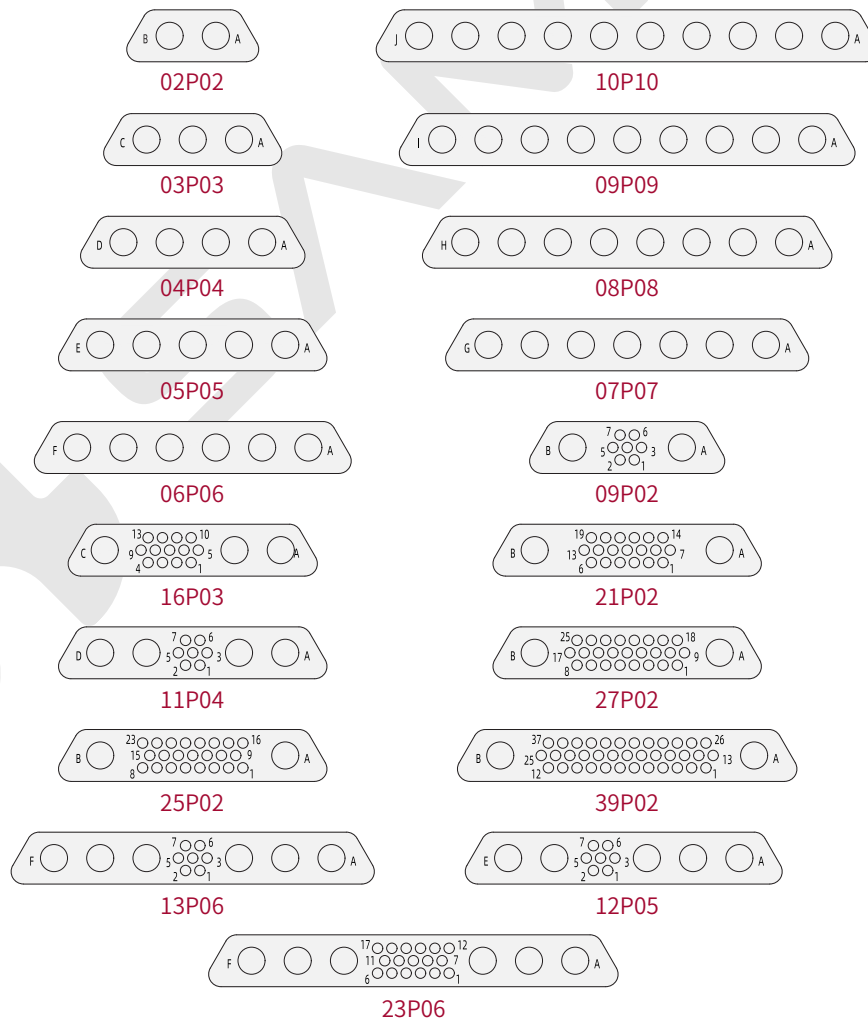
Compliant with specification Q/21EJ2923

## Performance Specifications

Operating Temperature	-55°C ~ +125°C	Relative Humidity	40°C 98%
Vibration	10Hz ~ 2000Hz, acceleration 196m/s <sup>2</sup>	Shock	735m/s <sup>2</sup>
Rated Current	3A(Signal contacts), 20A(Power contacts)	Contact Resistance	≤ 10mΩ
Insulation Resistance	≥ 5000MΩ at ambient temperature; ≥ 100MΩ(under damp heat conditions)	Dielectric Withstand Voltage	800V (ambient temperature)
Durability	500 times	Random vibration	Power density 0.4G <sup>2</sup> /Hz. The total acceleration-root-mean square is 23.1G

## Contact Arrangement

Face View Pin Connector



## How to order

J30J 27P02 0/J/K S/P XXX XX 000 0 - A3 Note

Series: J30J

### Contact Arrangement:

Code	Arrangement Pattern	Code	Arrangement Pattern
02P02	2-position, 20A Power Contacts	09P02	7-position, 3A Signal + 2-position, 20A Power Contacts
03P03	3-position, 20A Power Contacts	11P04	7-position, 3A Signal + 4-position, 20A Power Contacts
04P04	4-position, 20A Power Contacts	12P05	7-position, 3A Signal + 5-position, 20A Power Contacts
05P05	5-position, 20A Power Contacts	13P06	7-position, 3A Signal + 6-position, 20A Power Contacts
06P06	6-position, 20A Power Contacts	16P03	13-position, 3A Signal + 3-position, 20A Power Contacts
07P07	7-position, 20A Power Contacts	21P02	19-position, 3A Signal + 2-position, 20A Power Contacts
08P08	8-position, 20A Power Contacts	23P06	17-position, 3A Signal + 6-position, 20A Power Contacts
09P09	9-position, 20A Power Contacts	25P02	23-position, 3A Signal + 2-position, 20A Power Contacts
10P10	10-position, 20A Power Contacts	27P02	25-position, 3A Signal + 2-position, 20A Power Contacts
		39P02	37-position, 3A Signal + 2-position, 20A Power Contacts

### Signal Contact Type:

0 - No Signal Contact      J - Pin Signal Contact      K - Socket Signal Contact

### Power Contact Type:

S - Socket Power Contact (plug with socket power contacts)  
P - Pin Power Contact (receptacle with pin power contacts)

*Note: Only four combinations of signal and power contacts are available in the part number: 0S, 0P, JS, KP*

### Signal Contact Termination:

000 - No Signal contact      C00 - Pre-wired type      S00 - Solder Cup  
N0x - Vertical PCB ("x" is the code: N01=2mm thick; N02=3mm thick; N03=4mm thick; N04=5mm thick)  
W0x - Right-Angle PCB ("x" is the code: W01=2mm thick; W02=3mm thick; W03=4mm thick; W04=5mm thick)

### Power Contact Termination:

C0 - Pre-wired      S0 - Solder Cup  
Nx - Vertical PCB ("x" is the code: N1=2mm thick; N2=3mm thick; N3=4mm thick; N4=5mm thick)  
Wx - Right-Angle PCB ("x" is the code: W1=2mm thick; W2=3mm thick; W3=4mm thick; W4=5mm thick)

*Note: The termination styles for signal and power contacts must match. Special requests may allow mixing solder and pre-wired styles (e.g., S00C0 or C00S0)*

### Hardware Type:

000 - No Hardware      L00 - Free-end Hardware      K00 - Free-end Hardware (hand-operable)      P - Fixed-end Hardware

Code	Hardware Type	Code	Hardware Type
P00	Front Panel Mount, Panel Thickness ≤ 2.5mm	P09	Rear Panel Mount, Panel Thickness 2mm
P03	Vertical PCB Mount, PCB Thickness ≤ 2.5mm	P10	Rear Panel Mount for right-angle PCB, Panel Thickness 2mm
P04	Right-angle PCB Mount	P11	Front Panel Mount, M3 threaded Mounting hole
P05	Rear Panel Mount, Panel Thickness 0.6mm	P12	Front Panel Mount, Panel Thickness ≤ 5.5mm
P06	Rear Panel Mount, Panel Thickness 1.4mm	P13	Vertical PCB Mount, PCB Thickness ≤ 4.5mm
P07	Rear Panel Mount, Panel Thickness 2.2mm	P111	Vertical PCB Mount, PCB Thickness ≤ 3.5mm
P08	Rear Panel Mount, Panel Thickness 3.4mm	P54	Vertical PCB Mount, PCB Thickness ≤ 5.5mm

### Shell Modification:

0 - Standard, nickel-plated aluminum alloy      1 - Stainless steel      M1 - Marine-grade stainless steel

**Backshell Accessory:** Omit - No backshell accessory      A3 - Two-piece cable clamp (for pre-wired or solder terminations only)

**Note:** Wire information (for pre-wired or solder terminations only) is provided in two versions: Hybrid signal and power contacts (a) and Power contacts only (b)

a. (AFR2/0.12 White L500PF): Wire type is "AFR". Wire size(2 mm<sup>2</sup> for Power contacts, 3 mm<sup>2</sup> optional. Only these two sizes are available for pre-wired termination. For solder termination, 1 mm<sup>2</sup> to 3 mm<sup>2</sup> can be used. 0.12 mm<sup>2</sup> for signal contacts, 0.15 mm<sup>2</sup> optional.) Wire color is white(Wire color for signal and power contacts must be the same.) Wire length is 500 mm (Customizable) P indicates shielding braid (omitted if not supplied) F indicates olive drab nylon sleeve (omitted if not supplied)

b. (AFR2 White L500PF): Wire type is "AFR". Wire size (2 mm<sup>2</sup> for Power contacts, 3 mm<sup>2</sup> optional. Only these two sizes are available for pre-wired termination. For solder termination, 1 mm<sup>2</sup> to 3 mm<sup>2</sup> can be used. No signal contacts, so not specified) Wire color is "white". Wire length is 500 mm (Customizable). P indicates shielding braid (omitted if not supplied). F indicates olive drab nylon sleeve (omitted if not supplied).F indicates olive drab nylon sleeve (omitted if not supplied)

## J30J Series Signal and Power Hybrid

## Pre-wired Plug

J30J	25P02	0	S	C00	C0	000	0
------	-------	---	---	-----	----	-----	---

Series: J30J

Contact Arrangement: Refer to "Model Naming" for details

Signal Contact Type: 0 - No Signal Contact      J - Pin Signal Contact

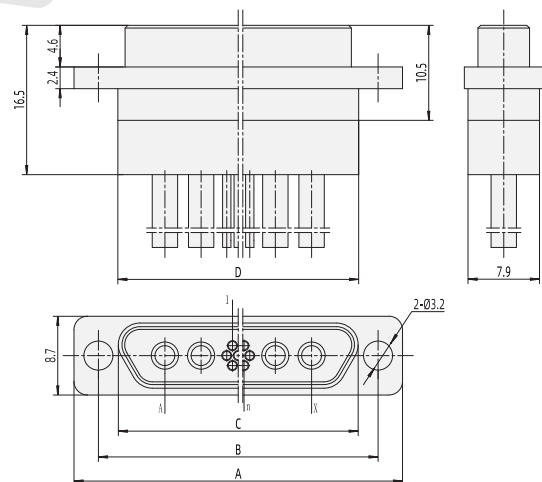
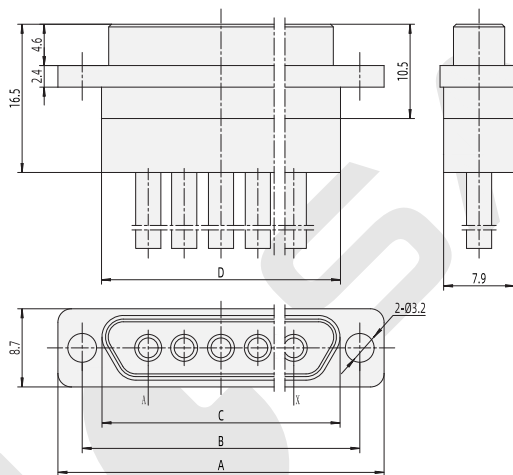
Power Contact Type: S - Socket Power Contact

Signal Contact Termination: 000 - No Signal contact      C00 - Pre-wired type

Power Contact Termination: C0 - Pre-wired

Hardware Type: 000 - No Hardware

Shell Modification: 0 - Standard, nickel-plated aluminum alloy



Plug Model (Power Contact)	A	B	C	D
J30J02P020S000C00000	23.2	18.8	12.9	14.5
J30J03P030S000C00000	27.3	22.9	17	18.6
J30J04P040S000C00000	31.4	27	21.1	22.7
J30J05P050S000C00000	36.3	30.9	25	26.6
J30J06P060S000C00000	39.6	35.2	29.3	30.9
J30J07P070S000C00000	43.7	39.3	33.4	35
J30J08P080S000C00000	47.8	43.4	37.5	39.1
J30J09P090S000C00000	51.9	47.5	41.6	43.2
J30J10P100S000C00000	56	51.6	45.7	47.3

Plug Model (Hybrid Signal and Power Contact)	A	B	C	D
J30J09P02JSC00C00000	29.7	24.5	18.6	20.2
J30J11P04JSC00C00000	36.3	30.9	25	26.6
J30J12P05JSC00C00000	39.6	35.2	29.3	30.9
J30J13P06JSC00C00000	43.7	39.3	33.4	35
J30J16P03JSC00C00000	34.8	29.3	23.4	25
J30J21P02JSC00C00000	36.3	30.9	25	26.6
J30J23P06JSC00C00000	47.8	43.4	37.5	39.1
J30J25P02JSC00C00000	36.3	30.9	25	26.6
J30J27P02JSC00C00000	36.3	30.9	25	26.6
J30J39P02JSC00C00000	42.8	37.3	31.4	33

## J30J Series Signal and Power Hybrid

**Pre-wired Receptacle**

J30J	25P02	0	P	C00	C0	000	0
------	-------	---	---	-----	----	-----	---

Series: J30J

Contact Arrangement: Refer to "Model Naming" for details

Signal Contact Type: 0 - No Signal Contact      K - Socket Signal Contact

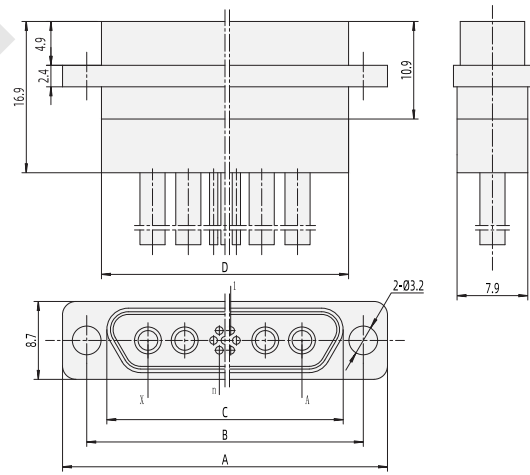
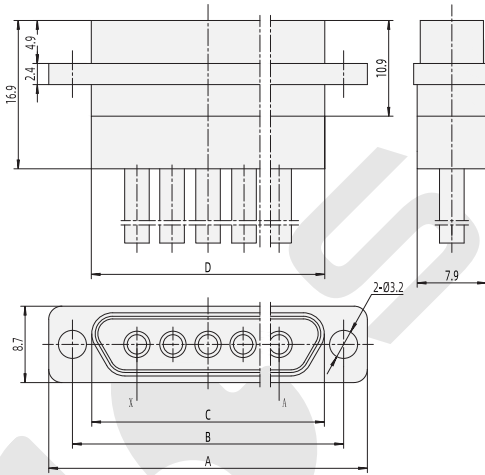
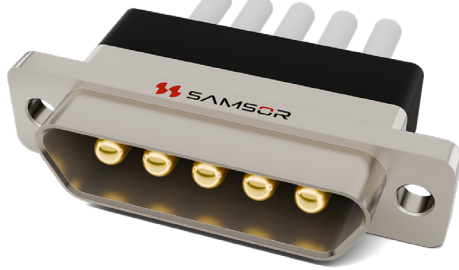
Power Contact Type: P - Pin Power Contact

Signal Contact Termination: 000 - No Signal contact      C00 - Pre-wired type

Power Contact Termination: C0 - Pre-wired

Hardware Type: 000 - No Hardware

Shell Modification: 0 - Standard, nickel-plated aluminum alloy



Receptacle Model (Power Contact)	A	B	C	D
J30J02P020P000C00000	23.2	18.8	14.4	14.5
J30J03P030P000C00000	27.3	22.9	18.5	18.6
J30J04P040P000C00000	31.4	27	22.6	22.7
J30J05P050P000C00000	36.3	30.9	26.5	26.6
J30J06P060P000C00000	39.6	35.2	30.8	30.9
J30J07P070P000C00000	43.7	39.3	34.9	35
J30J08P080P000C00000	47.8	43.4	39	39.1
J30J09P090P000C00000	51.9	47.5	43.1	43.2
J30J10P100P000C00000	56	51.6	47.2	47.3

Receptacle Model (Hybrid Signal and Power Contact)	A	B	C	D
J30J09P02KPC00C00000	29.7	24.5	20.1	20.2
J30J11P04KPC00C00000	36.3	30.9	26.5	26.6
J30J12P05KPC00C00000	39.6	35.2	30.8	30.9
J30J13P06KPC00C00000	43.7	39.3	34.9	35
J30J16P03KPC00C00000	34.8	29.3	24.9	25
J30J21P02KPC00C00000	36.3	30.9	26.5	26.6
J30J23P06KPC00C00000	47.8	43.4	39	39.1
J30J25P02KPC00C00000	36.3	30.9	26.5	26.6
J30J27P02KPC00C00000	36.3	30.9	26.5	26.6
J30J39P02KPC00C00000	42.8	37.3	32.9	33

**J30J Series Signal and Power Hybrid**

## Solder Cup Plug

J30J	25P02	0	S	S00	S0	000	0
------	-------	---	---	-----	----	-----	---

Series: J30J

Contact Arrangement: Refer to "Model Naming" for details

Signal Contact Type: 0 - No Signal Contact      J - Pin Signal Contact

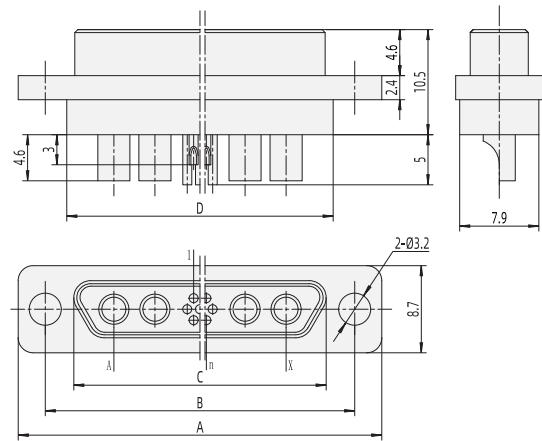
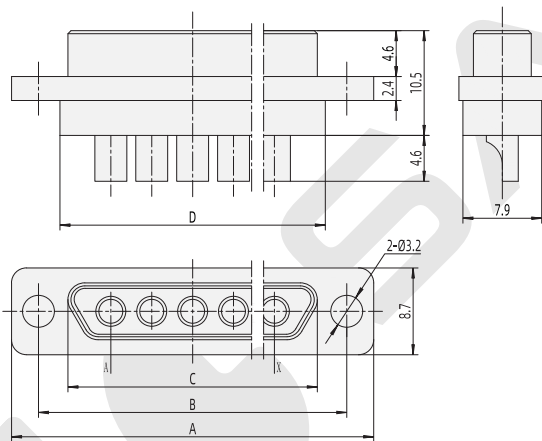
Power Contact Type: S - Socket Power Contact

Signal Contact Termination: 000 - No Signal contact      S00 - Solder type

Power Contact Termination: S0 - Solder Cup

Hardware Type: 000 - No Hardware

Shell Modification: 0 - Standard, nickel-plated aluminum alloy



Plug Model (Power Contact)	A	B	C	D
J30J02P020S000S00000	23.2	18.8	12.9	14.5
J30J03P030S000S00000	27.3	22.9	17	18.6
J30J04P040S000S00000	31.4	27	21.1	22.7
J30J05P050S000S00000	36.3	30.9	25	26.6
J30J06P060S000S00000	39.6	35.2	29.3	30.9
J30J07P070S000S00000	43.7	39.3	33.4	35
J30J08P080S000S00000	47.8	43.4	37.5	39.1
J30J09P090S000S00000	51.9	47.5	41.6	43.2
J30J10P100S000S00000	56	51.6	45.7	47.3

Plug Model (Hybrid Signal and Power Contact)	A	B	C	D
J30J09P02JSS00S00000	29.7	24.5	18.6	20.2
J30J11P04JSS00S00000	36.3	30.9	25	26.6
J30J12P05JSS00S00000	39.6	35.2	29.3	30.9
J30J13P06JSS00S00000	43.7	39.3	33.4	35
J30J16P03JSS00S00000	34.8	29.3	23.4	25
J30J21P02JSS00S00000	36.3	30.9	25	26.6
J30J23P06JSS00S00000	47.8	43.4	37.5	39.1
J30J25P02JSS00S00000	36.3	30.9	25	26.6
J30J27P02JSS00S00000	36.3	30.9	25	26.6
J30J39P02JSS00S00000	42.8	37.3	31.4	33

## J30J Series Signal and Power Hybrid

## Solder Cup Receptacle

J30J	25P02	0	P	S00	S0	000	0
------	-------	---	---	-----	----	-----	---

Series: J30J

Contact Arrangement: Refer to "Model Naming" for details

Signal Contact Type: 0 - No Signal Contact      K - Socket Signal Contact

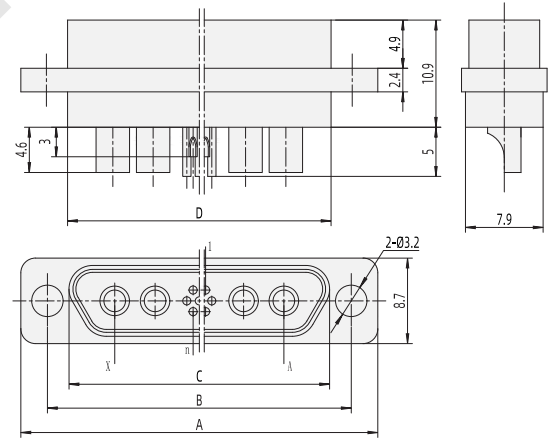
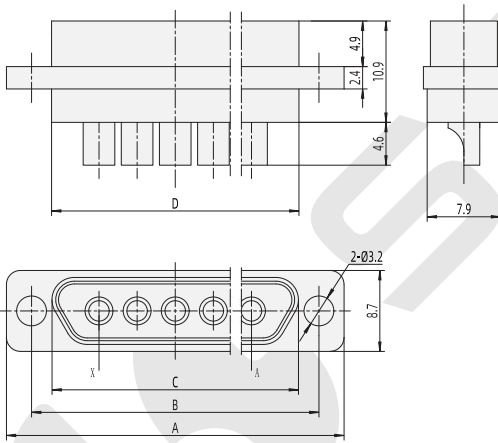
Power Contact Type: P - Pin Power Contact

Signal Contact Termination: 000 - No Signal contact      S00 - Solder type

Power Contact Termination: S0 - Solder Cup

Hardware Type: 000 - No Hardware

Shell Modification: 0 - Standard, nickel-plated aluminum alloy



Receptacle Model (Power Contact)	A	B	C	D
J30J02P020P000S00000	23.2	18.8	14.4	14.5
J30J03P030P000S00000	27.3	22.9	18.5	18.6
J30J04P040P000S00000	31.4	27	22.6	22.7
J30J05P050P000S00000	36.3	30.9	26.5	26.6
J30J06P060P000S00000	39.6	35.2	30.8	30.9
J30J07P070P000S00000	43.7	39.3	34.9	35
J30J08P080P000S00000	47.8	43.4	39	39.1
J30J09P090P000S00000	51.9	47.5	43.1	43.2
J30J10P100P000S00000	56	51.6	47.2	47.3

Receptacle Model (Hybrid Signal and Power Contact)	A	B	C	D
J30J09P02KPS00S00000	29.7	24.5	20.1	20.2
J30J11P04KPS00S00000	36.3	30.9	26.5	26.6
J30J12P05KPS00S00000	39.6	35.2	30.8	30.9
J30J13P06KPS00S00000	43.7	39.3	34.9	35
J30J16P03KPS00S00000	34.8	29.3	24.9	25
J30J21P02KPS00S00000	36.3	30.9	26.5	26.6
J30J23P06KPS00S00000	47.8	43.4	39	39.1
J30J25P02KPS00S00000	36.3	30.9	26.5	26.6
J30J27P02KPS00S00000	36.3	30.9	26.5	26.6
J30J39P02KPS00S00000	42.8	37.3	32.9	33

### J30J Series Signal and Power Hybrid

## Vertical PCB Plug

J30J 25P02 0 S N01 N1 000 0

Series: J30J

Contact Arrangement: Refer to "Model Naming" for details

Signal Contact Type: 0 - No Signal Contact J - Pin Signal Contact

Power Contact Type: S - Socket Power Contact

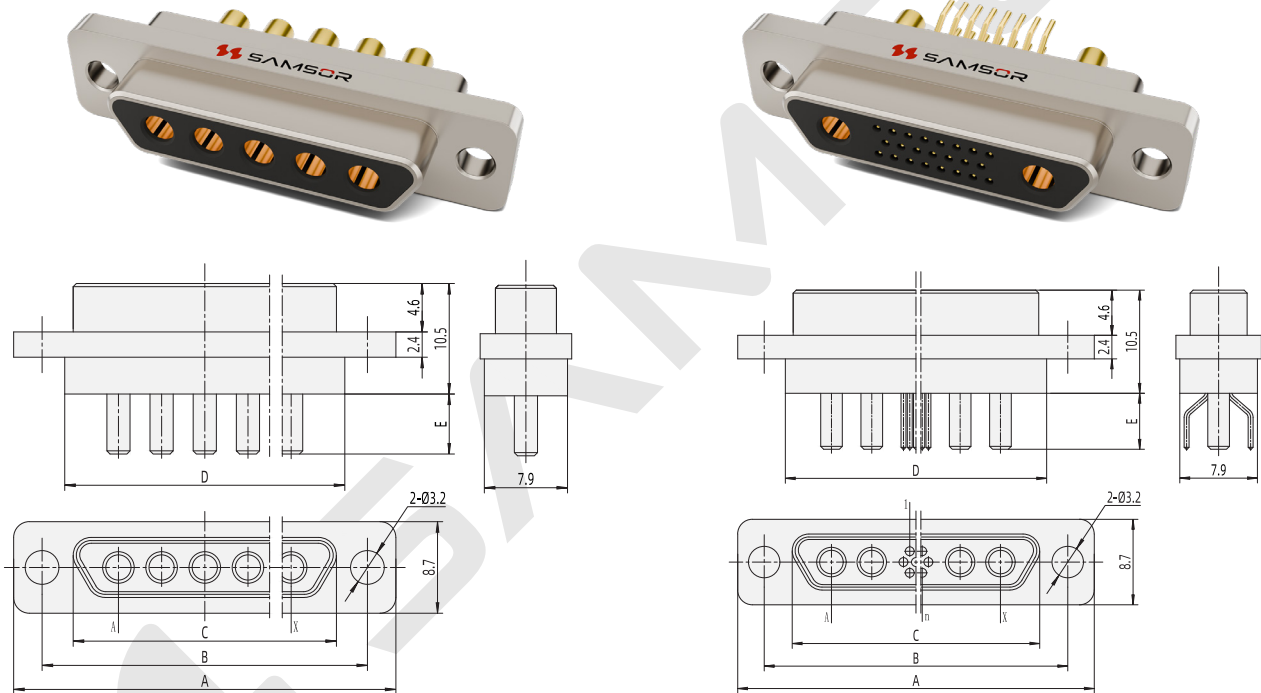
Signal Contact Termination: 000 - No Signal contact N01 - Vertical PCB

Power Contact Termination:

N1 - Vertical PCB, with multiple pin lengths available, distinguished by "N + number"

Hardware Type: 000 - No Hardware

Shell Modification: 0 - Standard, nickel-plated aluminum alloy



Vertical PCB pin termination, available as N1, N2, N3; detailed dimensions in table below

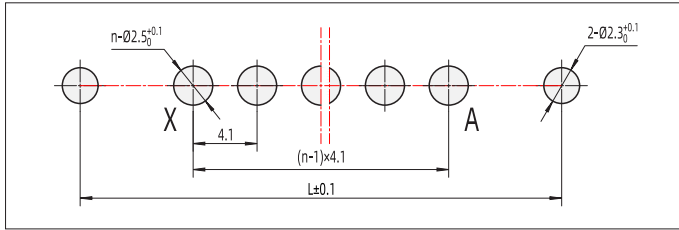
Plug Model (Power Contact)	A	B	C	D	E			Plug Model (Hybrid Signal and Power Contact)	A	B	C	D	E		
					N1	N2	N3						N1	N2	N3
J30J02P020S000N10000	23.2	18.8	12.9	14.5	5.7	6.7	7.9	J30J09P02JSN01N10000	29.7	24.5	18.6	20.2	5.7	6.7	7.9
J30J03P030S000N10000	27.3	22.9	17	18.6				J30J11P04JSN01N10000	36.3	30.9	25	26.6			
J30J04P040S000N10000	31.4	27	21.1	22.7				J30J12P05JSN01N10000	39.6	35.2	29.3	30.9			
J30J05P050S000N10000	36.3	30.9	25	26.6				J30J13P06JSN01N10000	43.7	39.3	33.4	35			
J30J06P060S000N10000	39.6	35.2	29.3	30.9				J30J16P03JSN01N10000	34.8	29.3	23.4	25			
J30J07P070S000N10000	43.7	39.3	33.4	35				J30J21P02JSN01N10000	36.3	30.9	25	26.6			
J30J08P080S000N10000	47.8	43.4	37.5	39.1				J30J23P06JSN01N10000	47.8	43.4	37.5	39.1			
J30J09P090S000N10000	51.9	47.5	41.6	43.2				J30J25P02JSN01N10000	36.3	30.9	25	26.6			
J30J10P100S000N10000	56	51.6	45.7	47.3				J30J27P02JSN01N10000	36.3	30.9	25	26.6			
								J30J39P02JSN01N10000	42.8	37.3	31.4	33			

## J30J Series Signal and Power Hybrid

## Signal and Power Contact Vertical PCB Plug Cutout Dimensions

Connector-to-PCB Orientation View

### Power Contact Vertical PCB Plug Cutout Dimensions

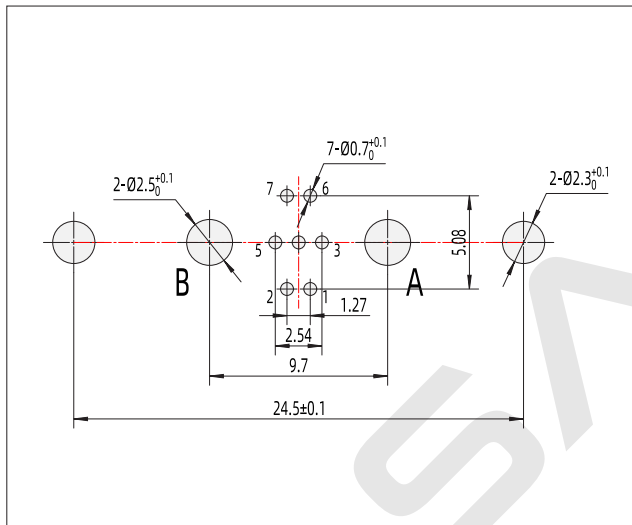


J30JxxPxx0S000N10000

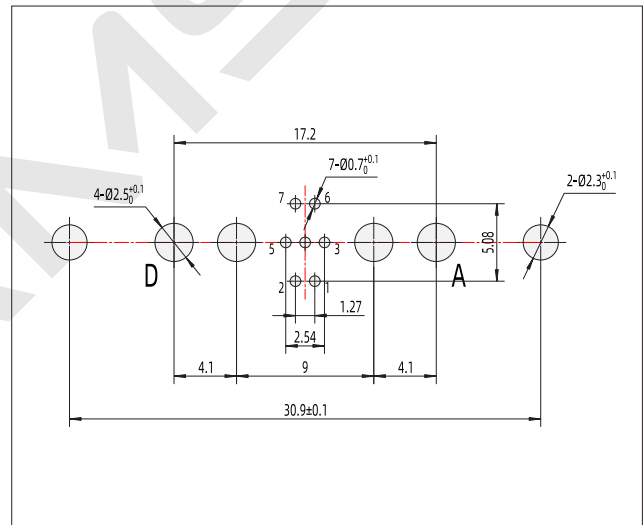
Where 'n' is the number of power contacts, starting from 2 contacts

Contact Arrangement	L	n	X	Contact Arrangement	L	n	X
02P02	18.8	2	B	07P07	39.3	7	G
03P03	22.9	3	C	08P08	43.4	8	H
04P04	27	4	D	09P09	47.5	9	I
05P05	30.9	5	E	10P10	51.6	10	J
06P06	35.2	6	F				

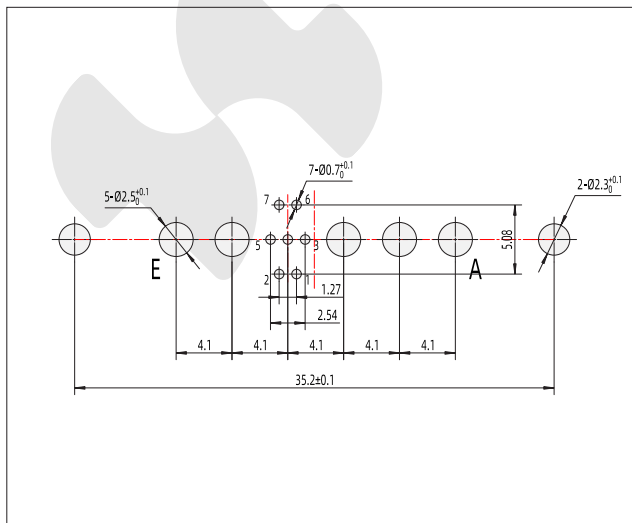
### Hybrid Vertical PCB Plug Cutout Dimensions



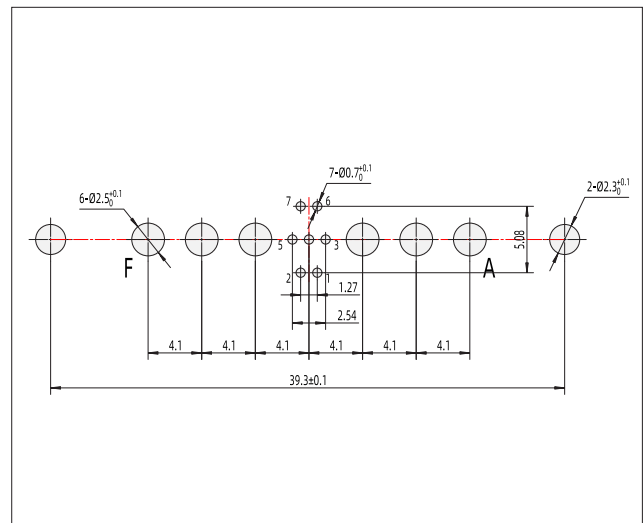
J30J09P02JSN01N10000



J30J11P04JSN01N10000



J30J12P05JSN01N10000



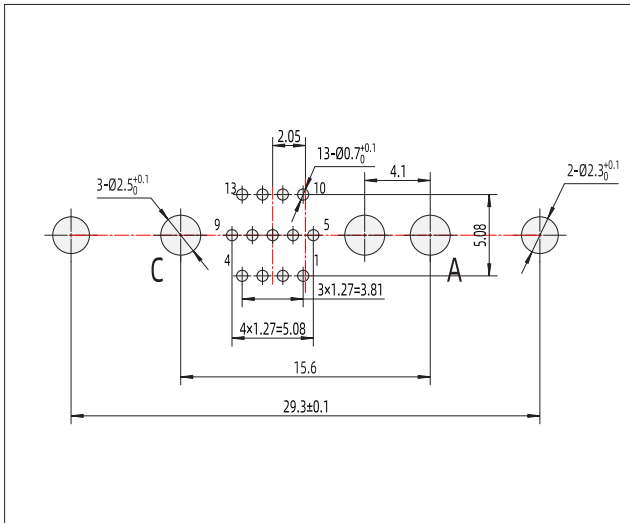
J30J13P06JSN01N10000

## J30J Series Signal and Power Hybrid

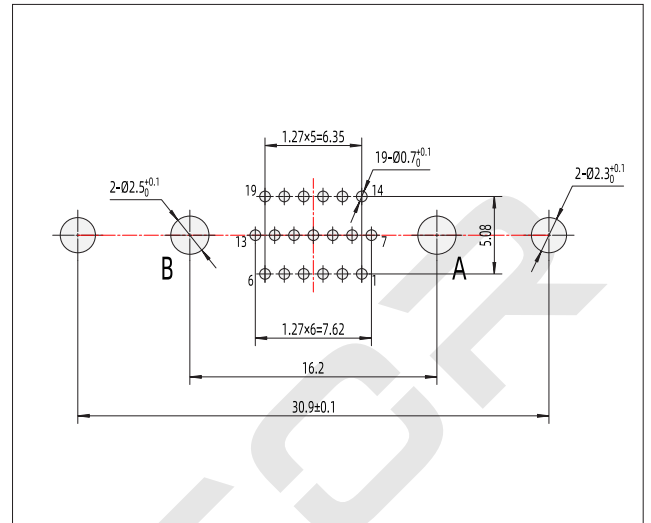
## Signal and Power Contact Vertical PCB Plug Cutout Dimensions

### Hybrid Vertical PCB Plug Cutout Dimensions

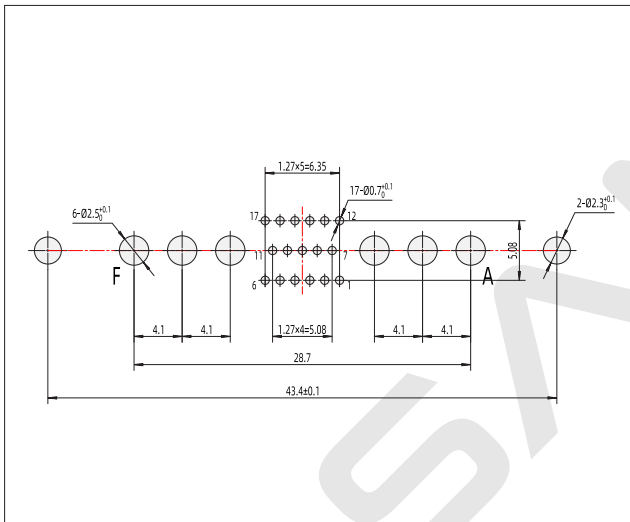
Connector-to-PCB Orientation View



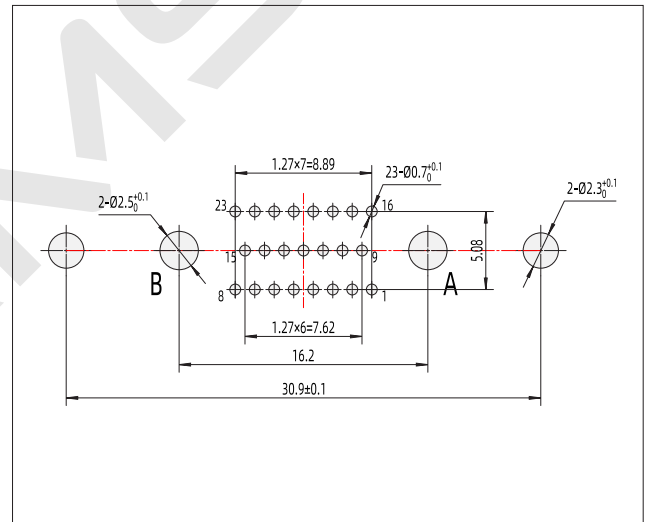
J30J16P03JSN01N10000



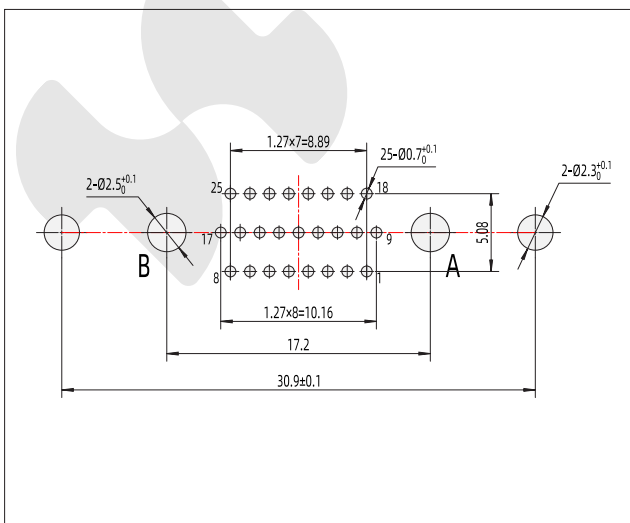
J30J21P02JSN01N10000



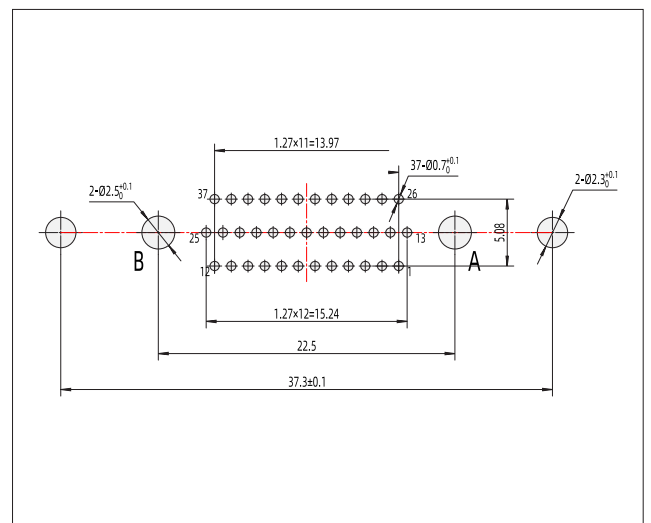
J30J23P06JSN01N10000



J30J25P02JSN01N10000



J30J27P02JSN01N10000



J30J39P02JSN01N10000

**Vertical PCB Receptacle**

J30J	25P02	0	P	N01	N1	000	0
------	-------	---	---	-----	----	-----	---

Series: J30J

Contact Arrangement: Refer to "Model Naming" for details

Signal Contact Type: 0 - No Signal Contact      K - Socket Signal Contact

Power Contact Type: P - Pin Power Contact

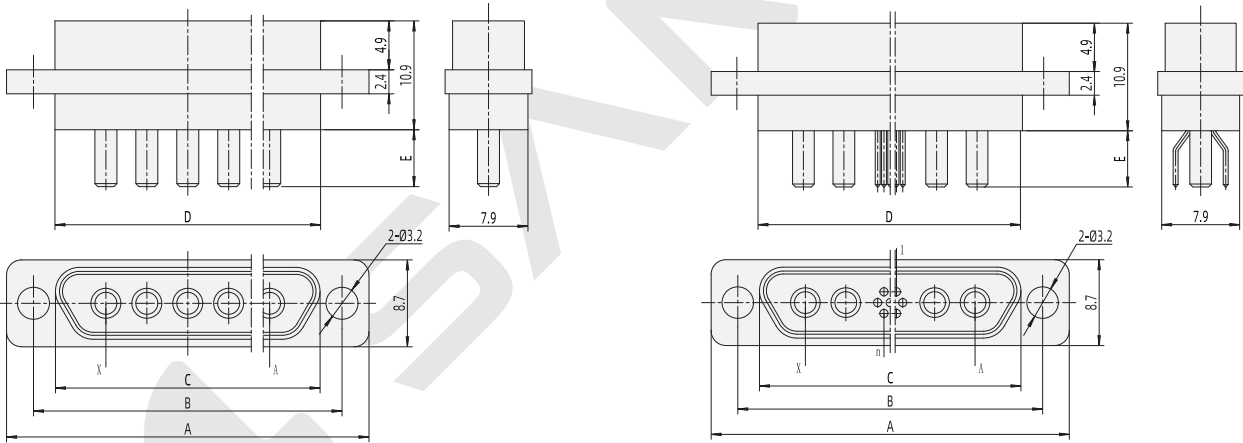
Signal Contact Termination: 000 - No Signal contact      N01 - Vertical PCB

Power Contact Termination:

N1 - Vertical PCB, with multiple pin lengths available, distinguished by "N + number"

Hardware Type: 000 - No Hardware

Shell Modification: 0 - Standard, nickel-plated aluminum alloy



Vertical PCB pin termination, available as N1, N2, N3; detailed dimensions in table below

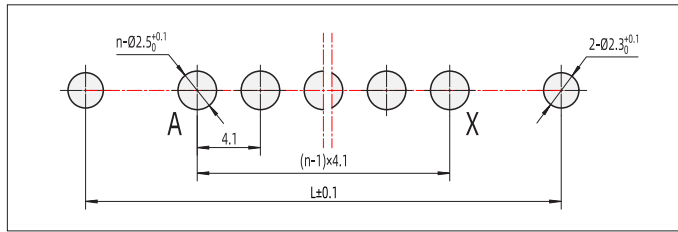
Receptacle Model (Power Contact)	A	B	C	D	E			Receptacle Model (Hybrid Signal and Power Contact)	A	B	C	D	E		
					N1	N2	N3						N1	N2	N3
J30J02P020P000N10000	23.2	18.8	14.4	14.5	5.7	6.7	7.9	J30J09P02KPN01N10000	29.7	24.5	20.1	20.2	5.7	6.7	7.9
J30J03P030P000N10000	27.3	22.9	18.5	18.6				J30J11P04KPN01N10000	36.3	30.9	26.5	26.6			
J30J04P040P000N10000	31.4	27	22.6	22.7				J30J12P05KPN01N10000	39.6	35.2	30.8	30.9			
J30J05P050P000N10000	36.3	30.9	26.5	26.6				J30J13P06KPN01N10000	43.7	39.3	34.9	35			
J30J06P060P000N10000	39.6	35.2	30.8	30.9				J30J16P03KPN01N10000	34.8	29.3	24.9	25			
J30J07P070P000N10000	43.7	39.3	34.9	35				J30J21P02KPN01N10000	36.3	30.9	26.5	26.6			
J30J08P080P000N10000	47.8	43.4	39	39.1				J30J23P06KPN01N10000	47.8	43.4	39	39.1			
J30J09P090P000N10000	51.9	47.5	43.1	43.2				J30J25P02KPN01N10000	36.3	30.9	26.5	26.6			
J30J10P100P000N10000	56	51.6	47.2	47.3				J30J27P02KPN01N10000	36.3	30.9	26.5	26.6			
								J30J39P02KPN01N10000	42.8	37.3	32.9	33			

**J30J Series Signal and Power Hybrid**

## Signal and Power Contact Vertical PCB Receptacle Cutout Dimensions

### Power Contact Vertical PCB Receptacle Cutout Dimensions

Connector-to-PCB Orientation View

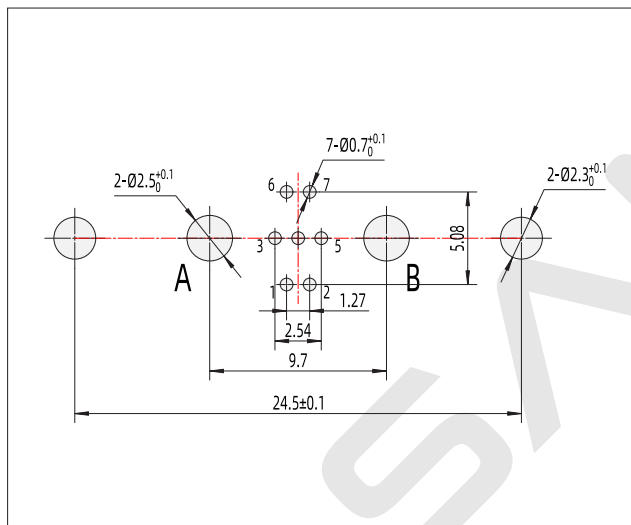


J30JxxPxx0P000N10000

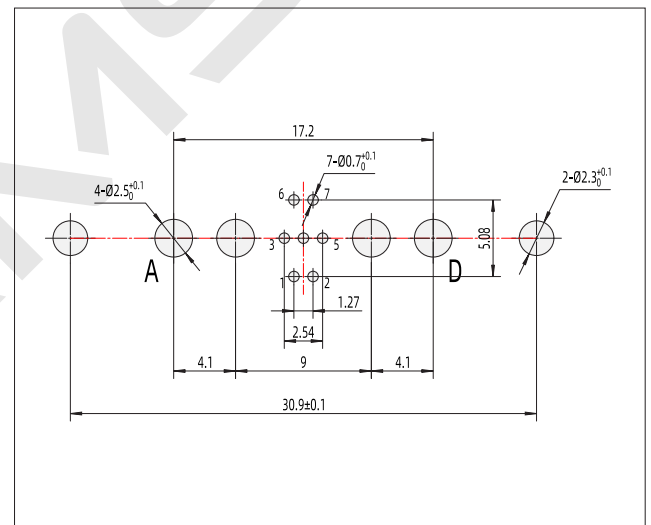
Where 'n' is the number of power contacts, starting from 2 contacts

Contact Arrangement	L	n	X	Contact Arrangement	L	n	X
02P02	18.8	2	B	07P07	39.3	7	G
03P03	22.9	3	C	08P08	43.4	8	H
04P04	27	4	D	09P09	47.5	9	I
05P05	30.9	5	E	10P10	51.6	10	J
06P06	35.2	6	F				

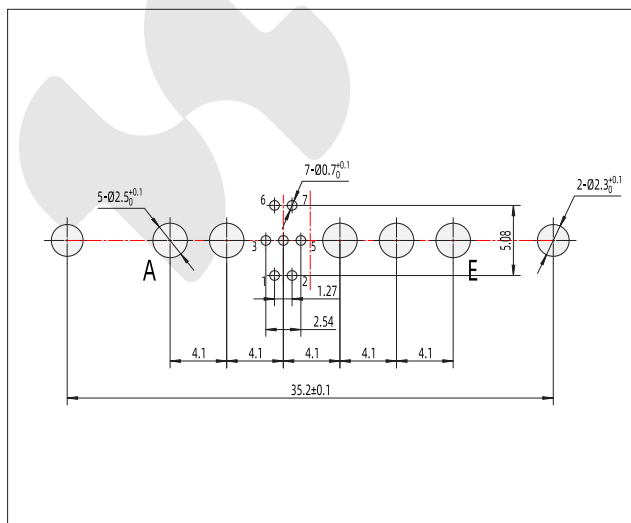
### Hybrid Vertical PCB Receptacle Cutout Dimensions



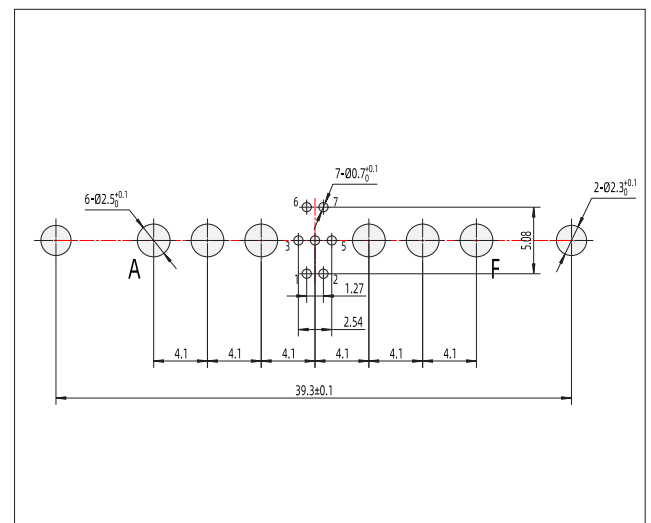
J30J09P02KPN01N10000



J30J11P04KPN01N10000



J30J12P05KPN01N10000



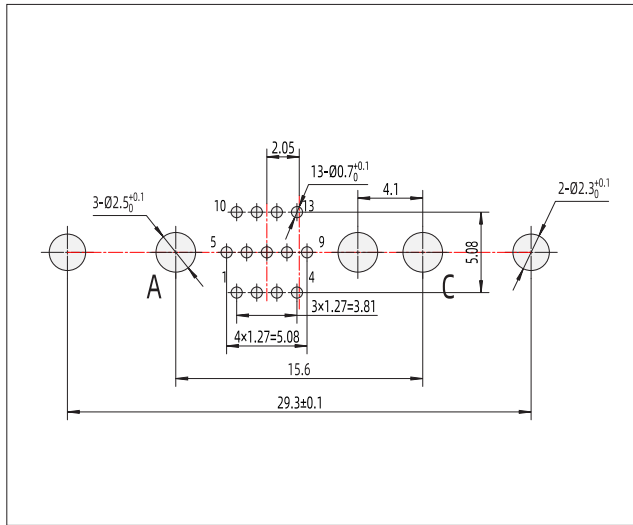
J30J13P06KPN01N10000

## J30J Series Signal and Power Hybrid

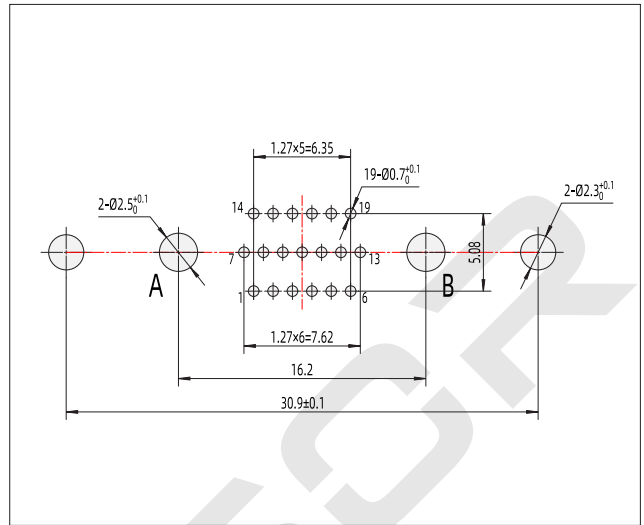
**Signal and Power Contact Vertical PCB Receptacle Cutout Dimensions**

*Connector-to-PCB Orientation View*

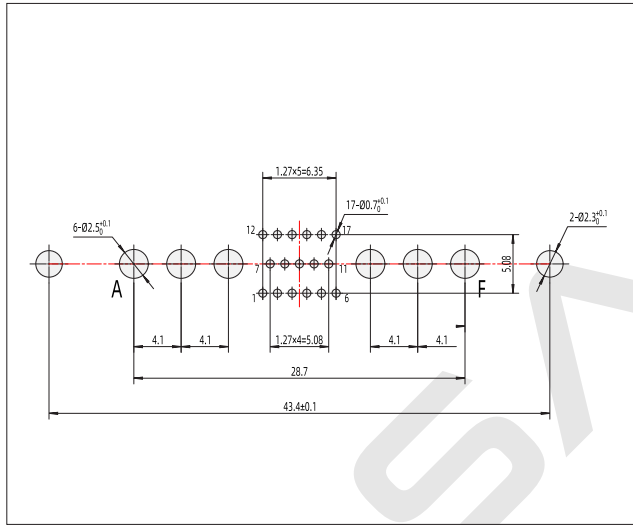
**Hybrid Vertical PCB Receptacle Cutout Dimensions**



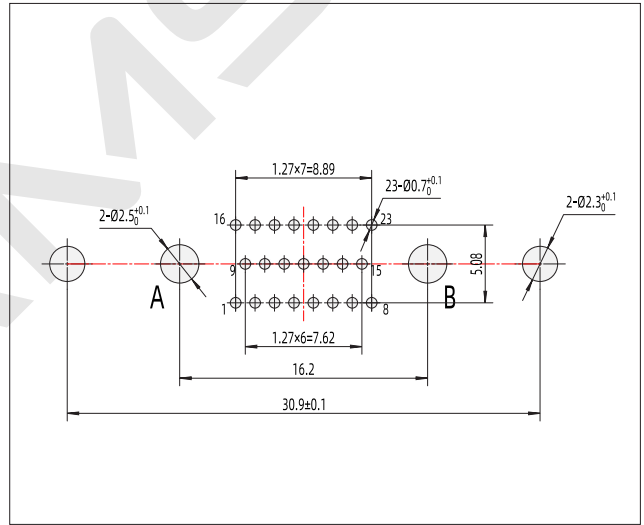
**J30J16P03KPN01N10000**



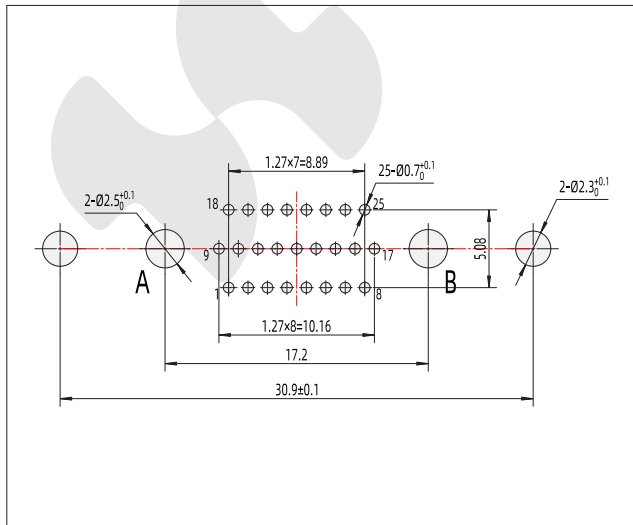
**J30J21P02KPN01N10000**



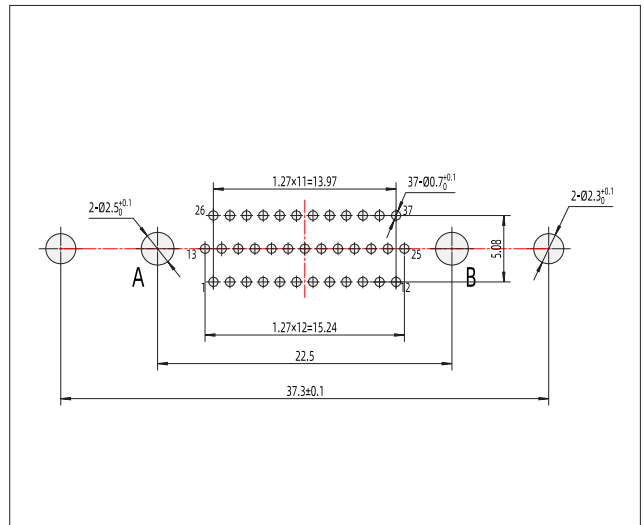
**J30J23P06KPN01N10000**



**J30J25P02KPN01N10000**



**J30J27P02KPN01N10000**



**J30J39P02KPN01N10000**

**J30J Series Signal and Power Hybrid**

## Right Angle PCB Plug

J30J	25P02	0	S	000	W1	000	0
------	-------	---	---	-----	----	-----	---

Series: J30J

Contact Arrangement: Refer to "Model Naming" for details

Signal Contact Type: 0 - No Signal Contact      J - Pin Signal Contact

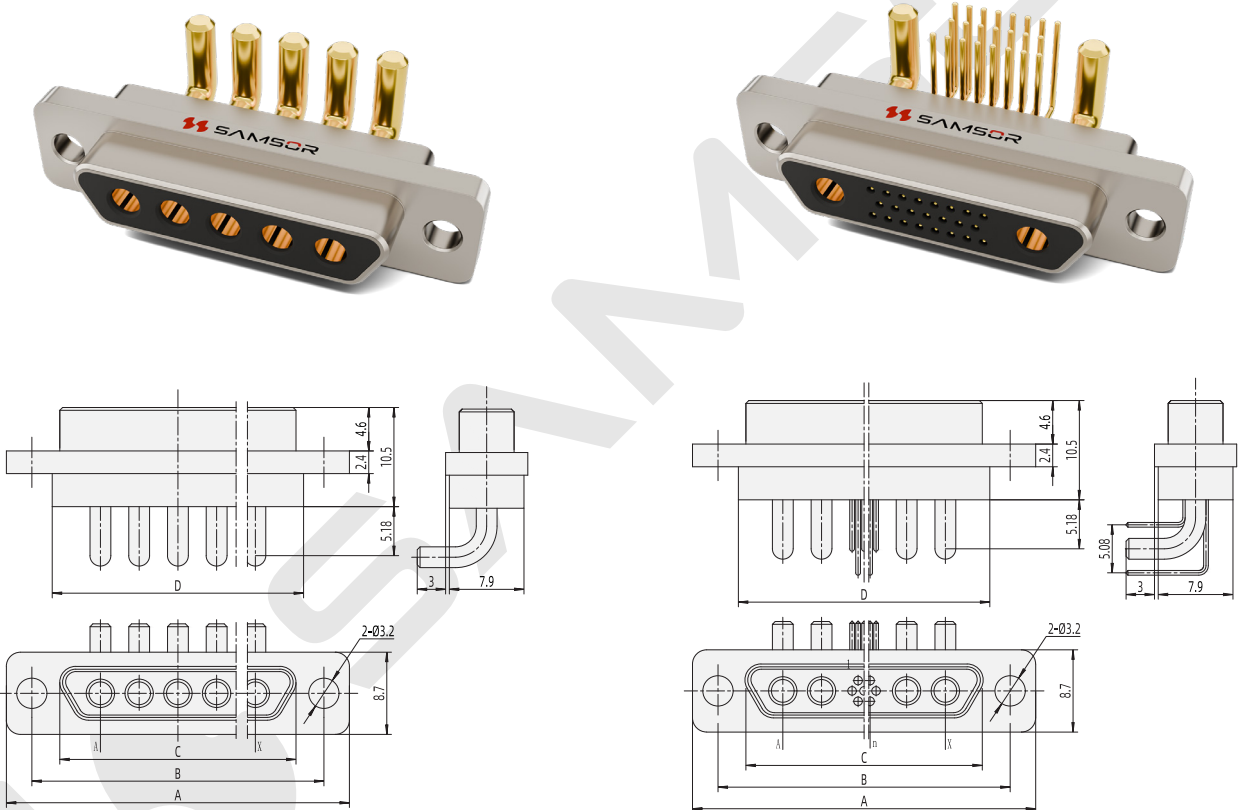
Power Contact Type: S - Socket Power Contact

Signal Contact Termination: 000 - No Signal contact      W01 - Right Angle PCB

Power Contact Termination: W1 - Right-angle PCB

Hardware Type: 000 - No Hardware

Shell Modification: 0 - Standard, nickel-plated aluminum alloy



Plug Model (Power Contact)	A	B	C	D
J30J02P020S000W10000	23.2	18.8	12.9	14.5
J30J03P030S000W10000	27.3	22.9	17	18.6
J30J04P040S000W10000	31.4	27	21.1	22.7
J30J05P050S000W10000	36.3	30.9	25	26.6
J30J06P060S000W10000	39.6	35.2	29.3	30.9
J30J07P070S000W10000	43.7	39.3	33.4	35
J30J08P080S000W10000	47.8	43.4	37.5	39.1
J30J09P090S000W10000	51.9	47.5	41.6	43.2
J30J10P100S000W10000	56	51.6	45.7	47.3

Plug Model (Hybrid Signal and Power Contact)	A	B	C	D
J30J09P02JSW01W10000	29.7	24.5	18.6	20.2
J30J11P04JSW01W10000	36.3	30.9	25	26.6
J30J12P05JSW01W10000	39.6	35.2	29.3	30.9
J30J13P06JSW01W10000	43.7	39.3	33.4	35
J30J16P03JSW01W10000	34.8	29.3	23.4	25
J30J21P02JSW01W10000	36.3	30.9	25	26.6
J30J23P06JSW01W10000	47.8	43.4	37.5	39.1
J30J25P02JSW01W10000	36.3	30.9	25	26.6
J30J27P02JSW01W10000	36.3	30.9	25	26.6
J30J39P02JSW01W10000	42.8	37.3	31.4	33

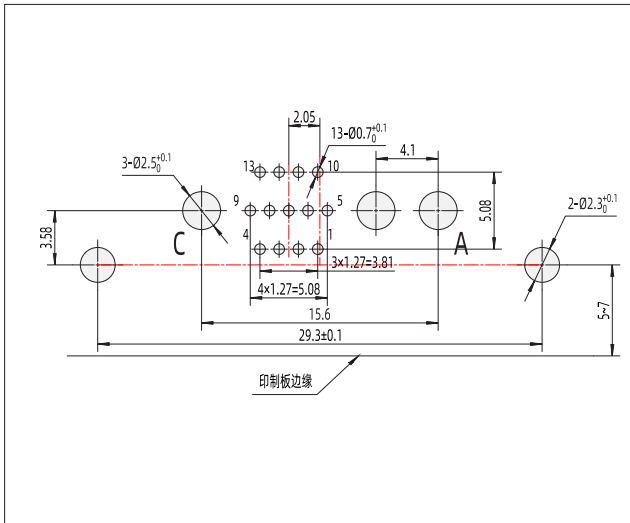
## J30J Series Signal and Power Hybrid



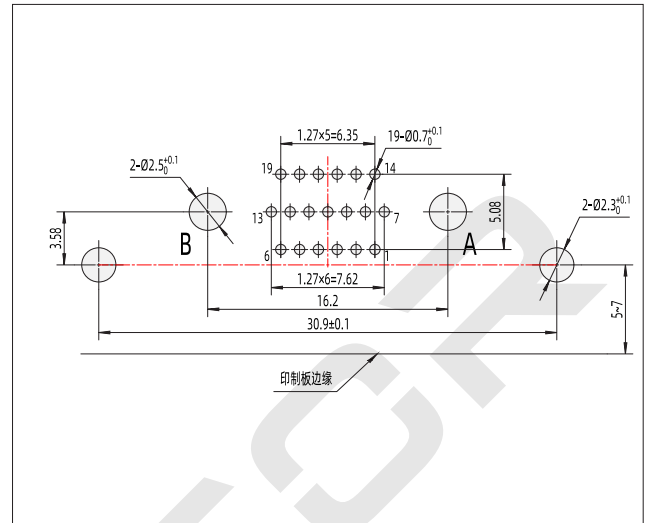
## Signal and Power Contact Right-angle PCB Plug Cutout Dimensions

### Hybrid Right-angle PCB Plug Cutout Dimensions

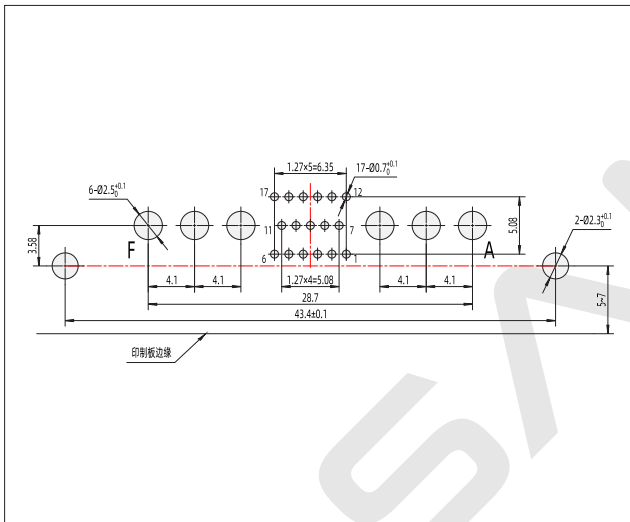
Connector-to-PCB Orientation View



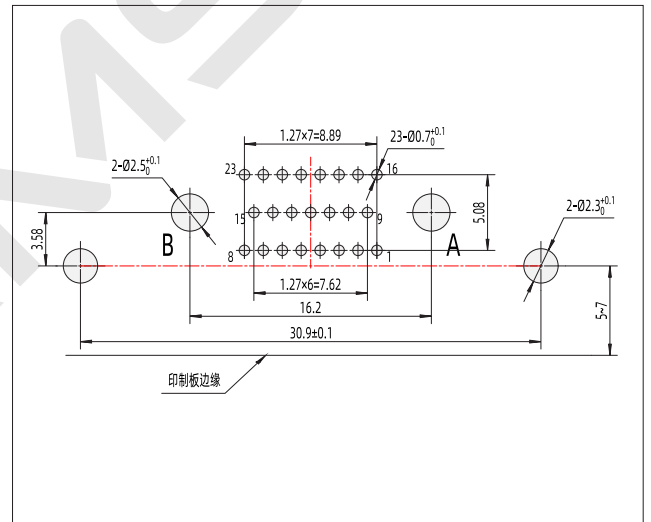
J30J16P03JSW01W10000



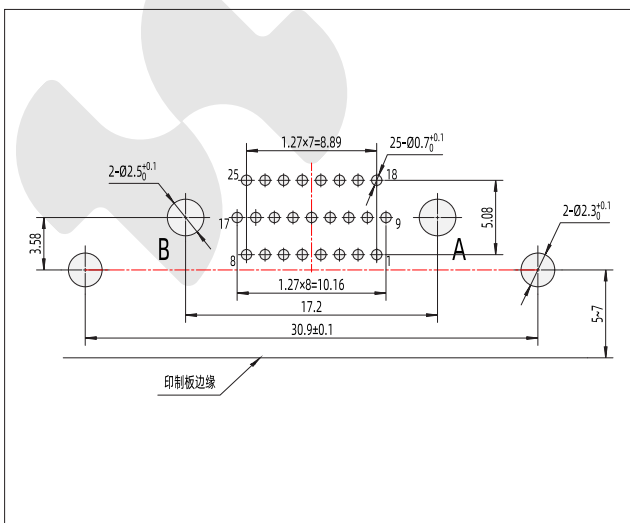
J30J21P02JSW01W10000



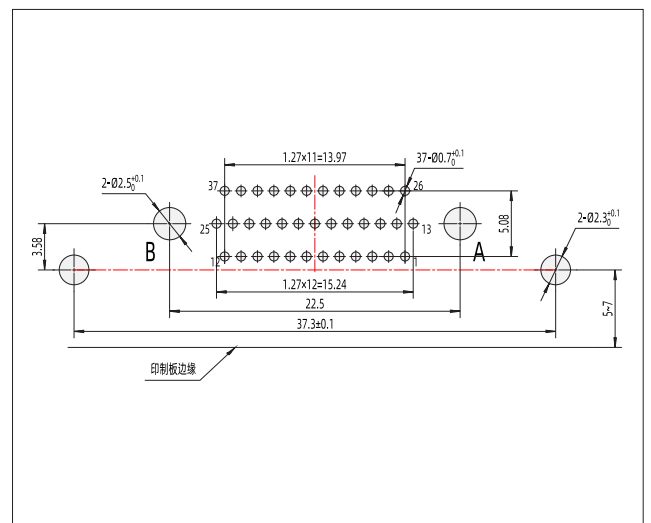
J30J23P06JSW01W10000



J30J25P02JSW01W10000



J30J27P02JSW01W10000



J30J39P02JSW01W10000

J30J Series Signal and Power Hybrid

## Right Angle PCB Receptacle

J30J	25P02	0	P	000	W1	000	0
------	-------	---	---	-----	----	-----	---

Series: J30J

Contact Arrangement: Refer to "Model Naming" for details

Signal Contact Type: 0 - No Signal Contact      K - Socket Signal Contact

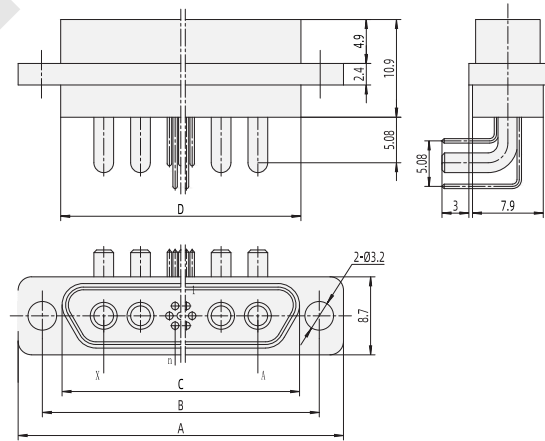
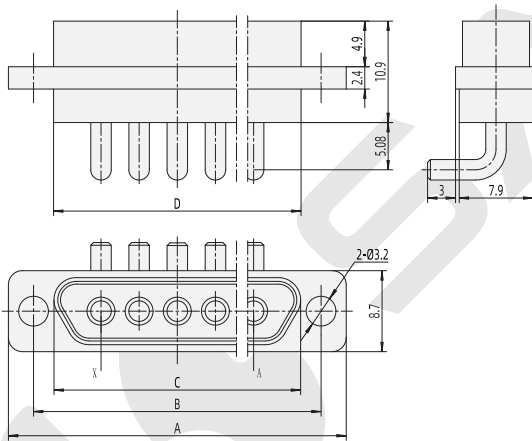
Power Contact Type: P - Pin Power Contact

Signal Contact Termination: 000 - No Signal contact      W01 - Right-angle PCB

Power Contact Termination: W1 - Right-angle PCB

Hardware Type: 000 - No Hardware

Shell Modification: 0 - Standard, nickel-plated aluminum alloy



Receptacle Model (Power Contact)	A	B	C	D
J30J02P020P000W10000	23.2	18.8	14.4	14.5
J30J03P030P000W10000	27.3	22.9	18.5	18.6
J30J04P040P000W10000	31.4	27	22.6	22.7
J30J05P050P000W10000	36.3	30.9	26.5	26.6
J30J06P060P000W10000	39.6	35.2	30.8	30.9
J30J07P070P000W10000	43.7	39.3	34.9	35
J30J08P080P000W10000	47.8	43.4	39	39.1
J30J09P090P000W10000	51.9	47.5	43.1	43.2
J30J10P100P000W10000	56	51.6	47.2	47.3

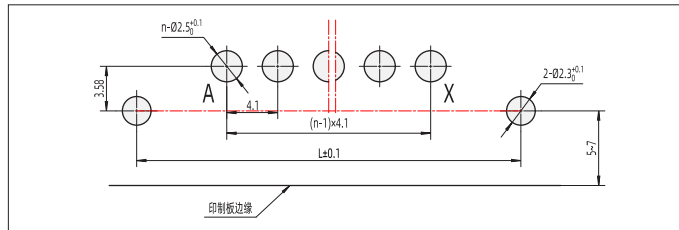
Receptacle Model (Hybrid Signal and Power Contact)	A	B	C	D
J30J09P02KPW01W10000	29.7	24.5	20.1	20.2
J30J11P04KPW01W10000	36.3	30.9	26.5	26.6
J30J12P05KPW01W10000	39.6	35.2	30.8	30.9
J30J13P06KPW01W10000	43.7	39.3	34.9	35
J30J16P03KPW01W10000	34.8	29.3	24.9	25
J30J21P02KPW01W10000	36.3	30.9	26.5	26.6
J30J23P06KPW01W10000	47.8	43.4	39	39.1
J30J25P02KPW01W10000	36.3	30.9	26.5	26.6
J30J27P02KPW01W10000	36.3	30.9	26.5	26.6
J30J39P02KPW01W10000	42.8	37.3	32.9	33

### J30J Series Signal and Power Hybrid

## Signal and Power Contact Right-angle PCB Receptacle Cutout Dimensions

### Power Contact Right-angle PCB Receptacle Cutout Dimensions

Connector-to-PCB Orientation View

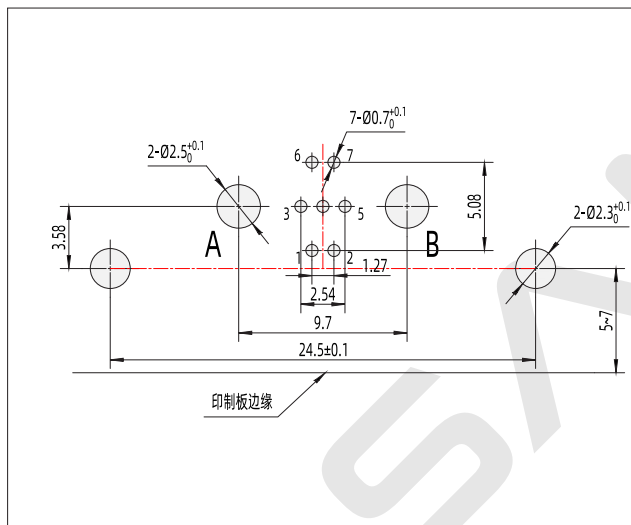


J30JxxPxx0P000W10000

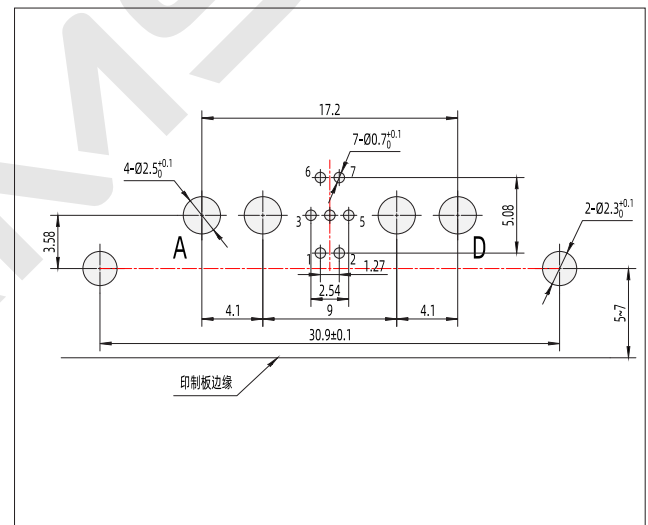
Where 'n' is the number of power contacts, starting from 2 contacts

Contact Arrangement	L	n	X	Contact Arrangement	L	n	X
02P02	18.8	2	B	07P07	39.3	7	G
03P03	22.9	3	C	08P08	43.4	8	H
04P04	27	4	D	09P09	47.5	9	I
05P05	30.9	5	E	10P10	51.6	10	J
06P06	35.2	6	F				

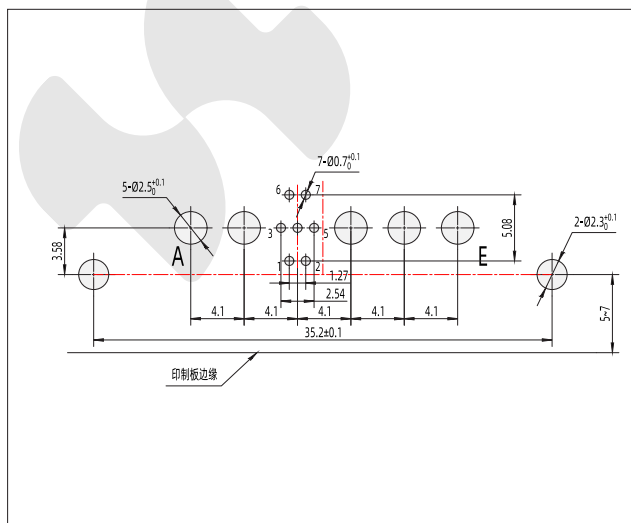
### Hybrid Right-angle PCB Receptacle Cutout Dimensions



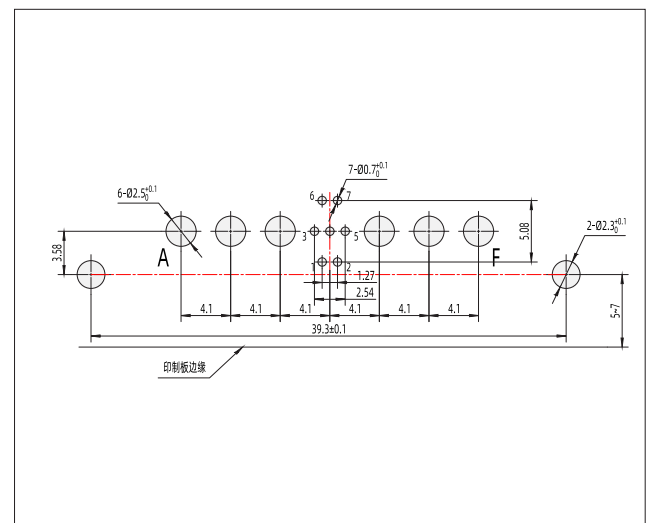
J30J09P02KPW01W10000



J30J11P04KPW01W10000



J30J12P05KPW01W10000



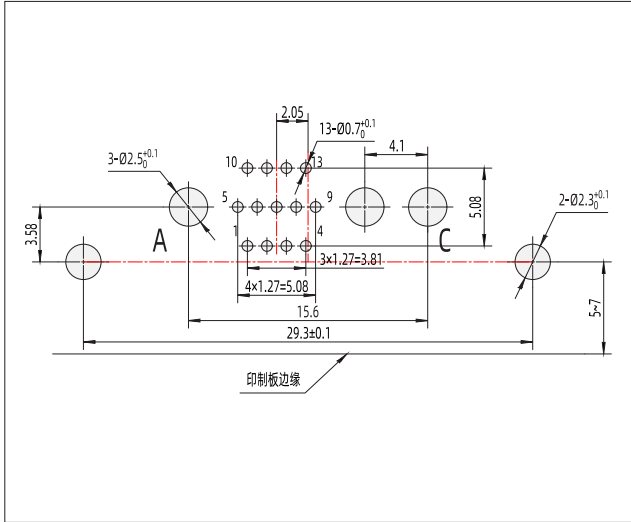
J30J13P06KPW01W10000

J30J Series Signal and Power Hybrid

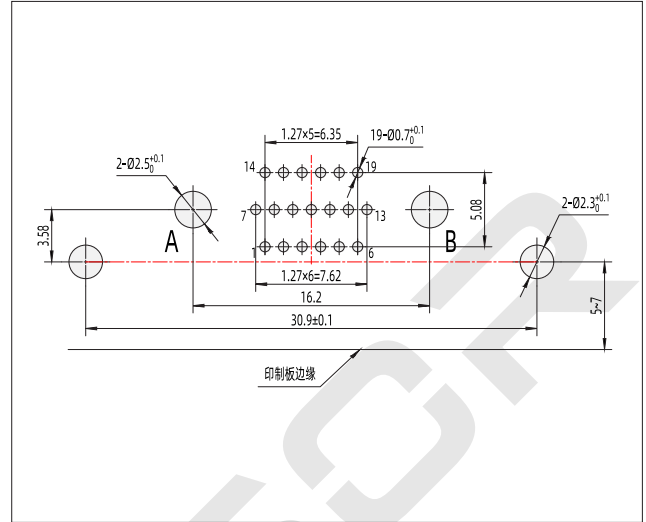
## Signal and Power Contact Right-angle PCB Receptacle Cutout Dimensions

### Hybrid Right-angle PCB Receptacle Cutout Dimensions

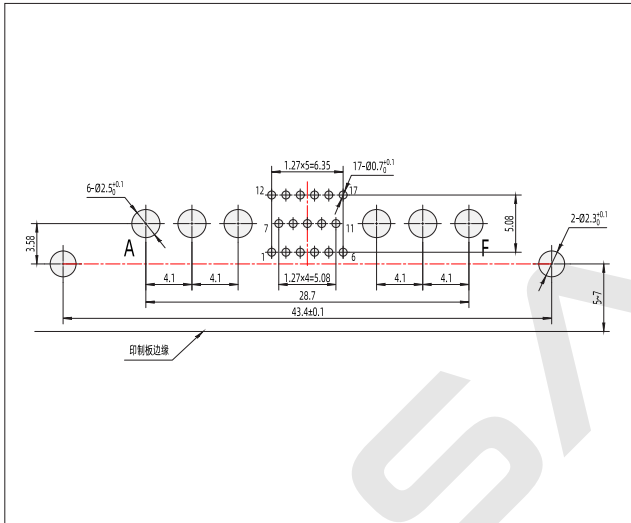
Connector-to-PCB Orientation View



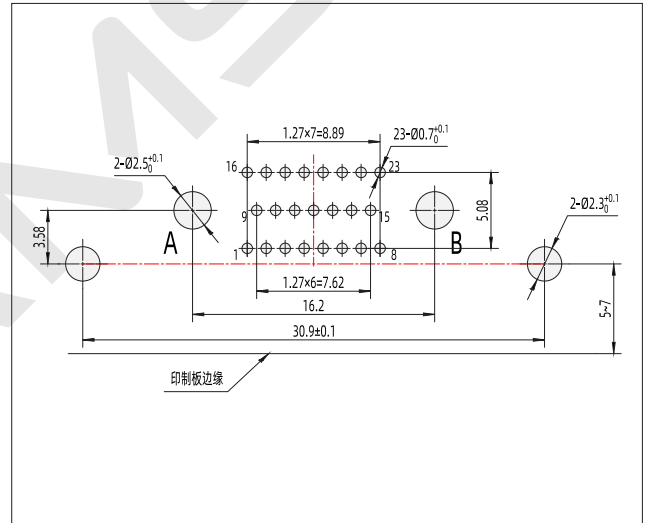
J30J16P03KPW01W10000



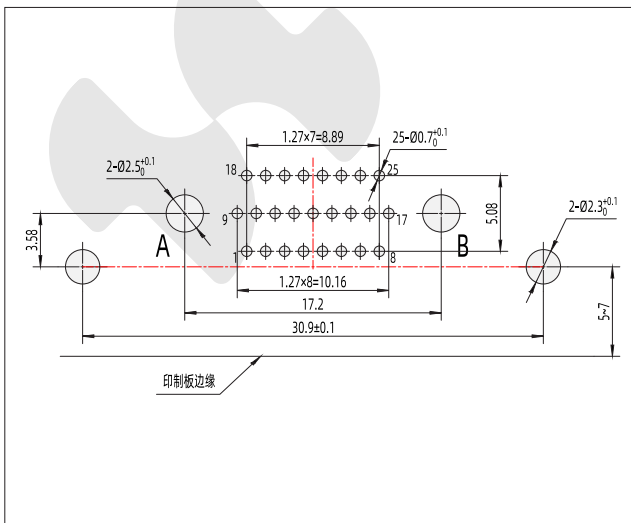
J30J21P02KPW01W10000



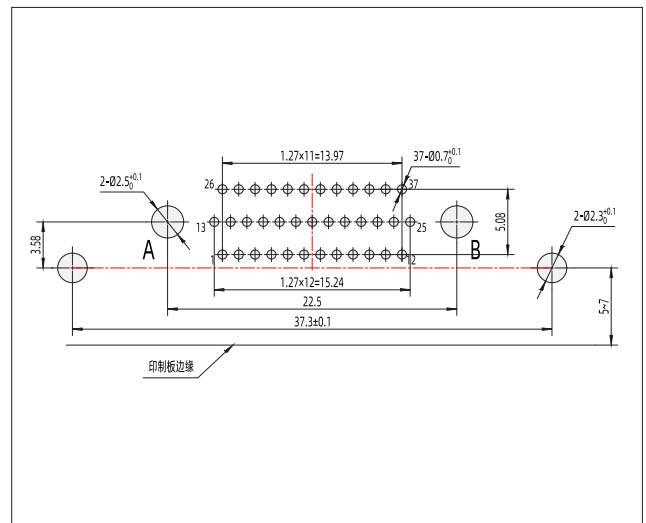
J30J23P06KPW01W10000



J30J25P02KPW01W10000



J30J27P02KPW01W10000



J30J39P02KPW01W10000

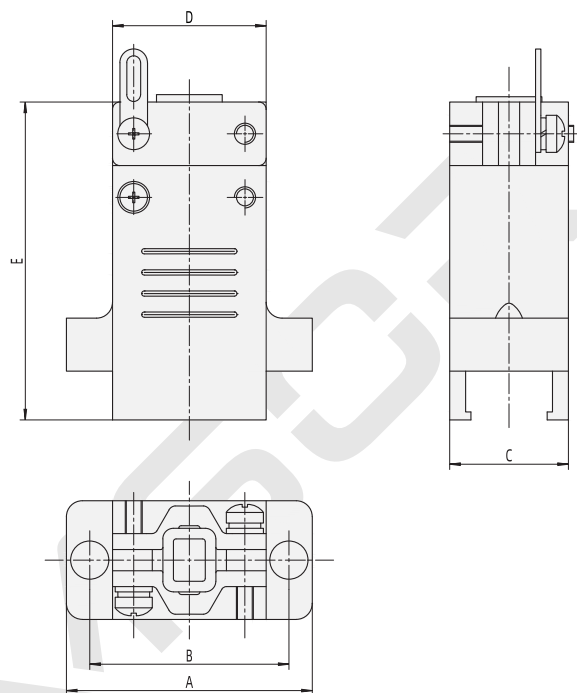
## J30J Series Signal and Power Hybrid

## J30J Signal and Power Contact Series Backshell Accessory-A3 Type

Backshell Style



Assembly Style

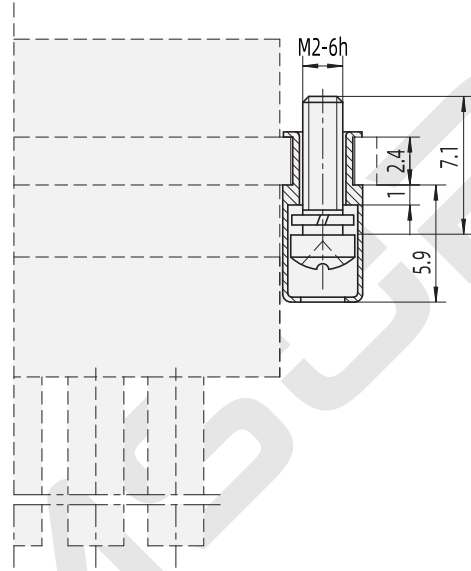
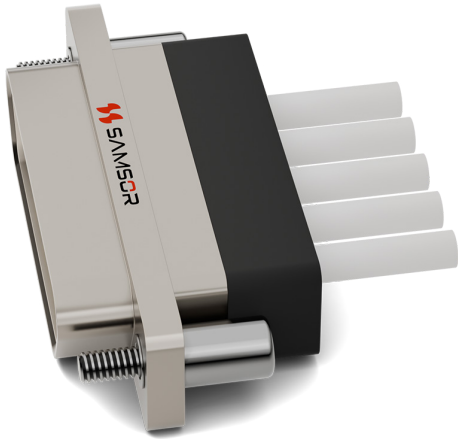


■ The A3 type backshell accessory can only be used with pre-wired or solder cup type products. If a product is fitted with Type A3 backshell accessory, it cannot be secured to the mounting panel

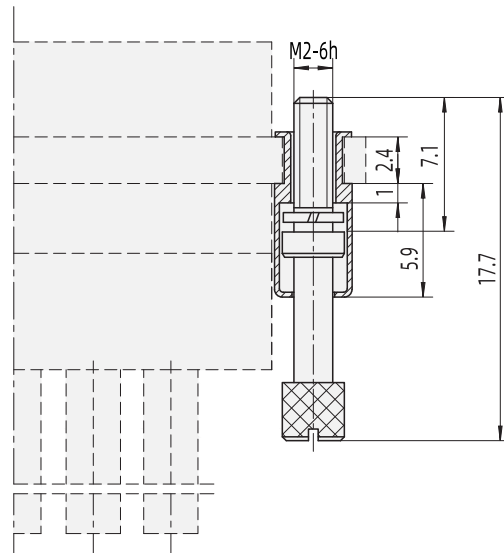
Plug Model	A	B	C	D	E
J30J02P02A3	23.2	18.8	11.2	14.5	30
J30J03P03A3	27.4	22.9	11.2	18.6	30
J30J04P04A3	31.5	27	11.2	22.7	30
J30J05P05A3	36.4	30.9	11.2	26.6	30
J30J06P06A3	39.9	35.2	11.2	30.9	30
J30J07P07A3	44.2	39.3	11.2	35	30
J30J08P08A3	48.1	43.4	11.2	39.1	30
J30J09P09A3	52.3	47.5	11.2	43.2	30
J30J10P10A3	56.1	51.6	11.2	47.3	30
J30J09P02A3	29.8	24.5	11.2	20.2	30
J30J11P04A3	36.4	30.9	11.2	26.6	30
J30J12P05A3	39.9	35.2	11.2	30.9	30
J30J13P06A3	44.2	39.3	11.2	35	30
J30J16P03A3	35.1	29.3	11.2	25	30
J30J21P02A3	36.4	30.9	11.2	26.6	30
J30J23P06A3	48.1	43.4	11.2	39.1	30
J30J25P02A3	36.4	30.9	11.2	26.6	30
J30J27P02A3	36.4	30.9	11.2	26.6	30
J30J39P02A3	43	37.3	11.2	31.4	30

Hardware Type-Free End

L00

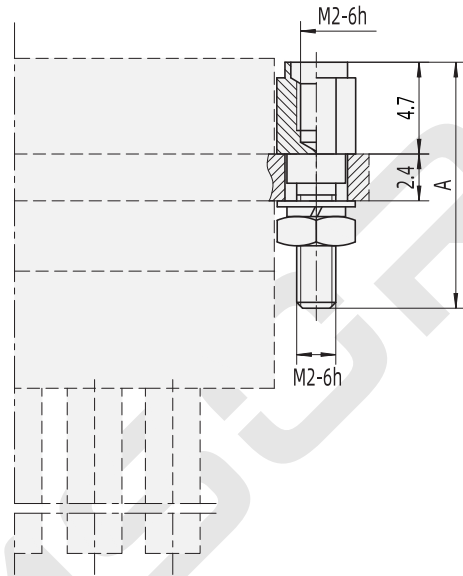
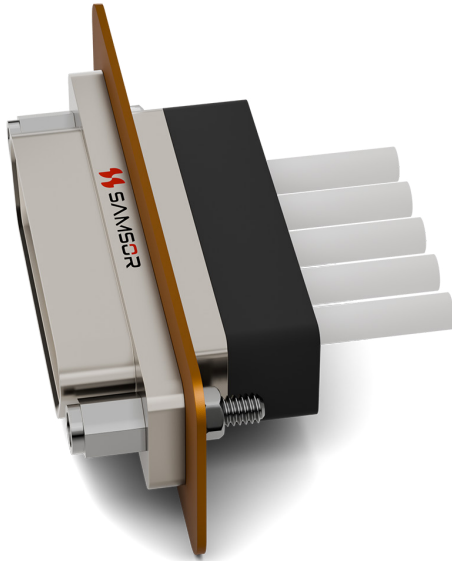


K00



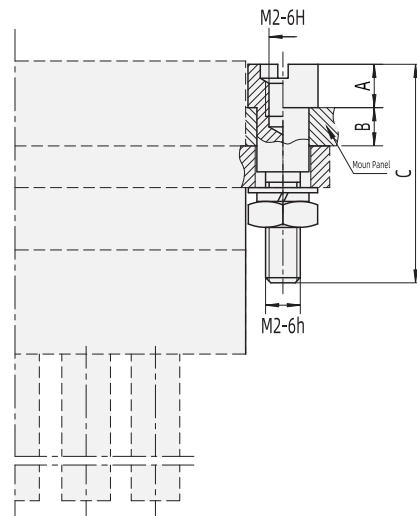
## Hardware Type-Fixed End

### P00、P12 (Front Panel Mount)



Component Identifier	A
P00	12.6
P12	15.6

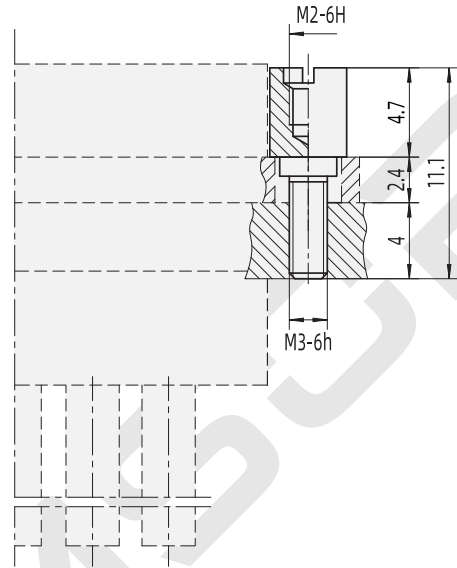
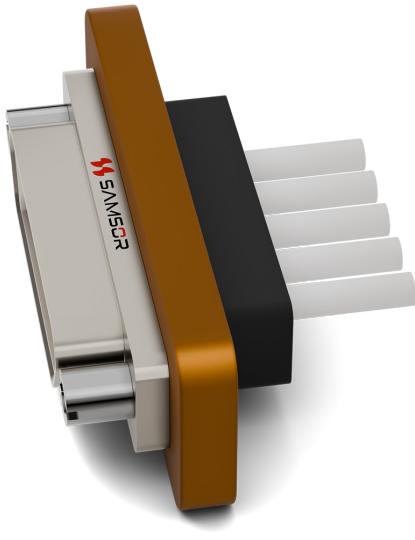
### P05、P06、P07、P08、P09 (Rear Panel Mount)



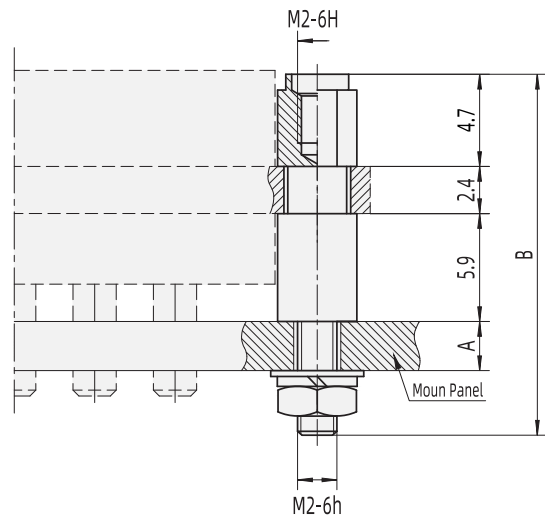
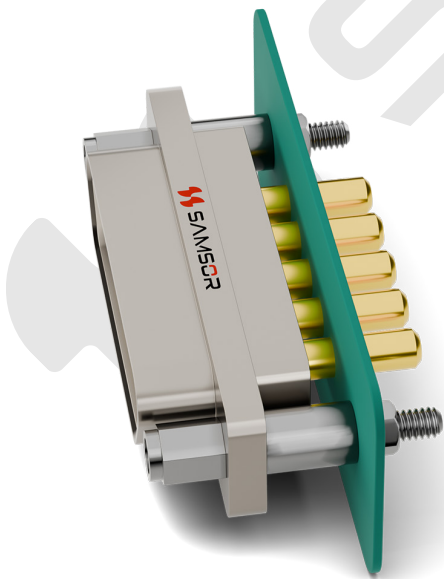
Component Identifier	A	B	C	Instructions
P05	4.1	0.6	12.6	For rear panel mount, select the appropriate type based on panel thickness
P06	3.3	1.4	12.6	
P07	2.5	2.2	12.6	
P08	1.3	3.4	12.6	
P09	2.7	2	20	

**Hardware Type-Fixed End**

P11



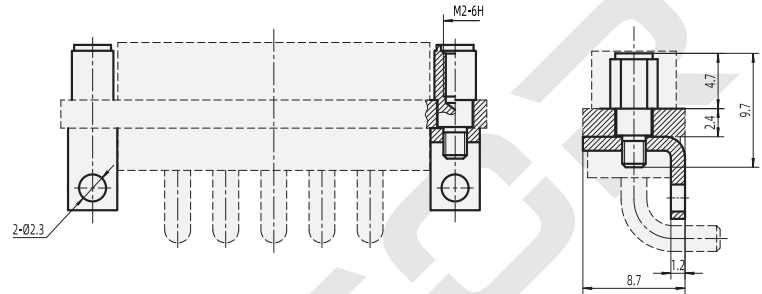
P03、P111、P13、P54



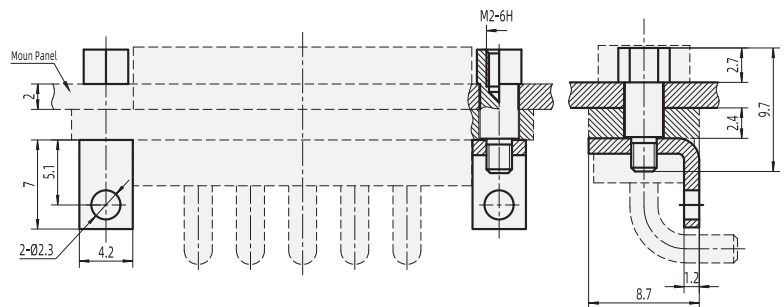
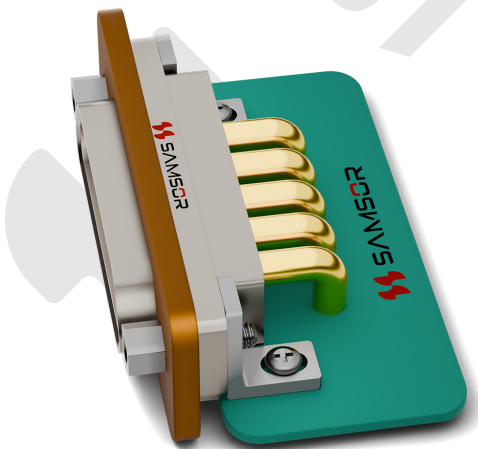
Component Identifier	A	B
P03	1.6~2.5	18.6
P111	1.6~3.5	19.6
P13	1.6~4.5	20.5
P54	1.6~6	21.6

Hardware Type-Fixed End

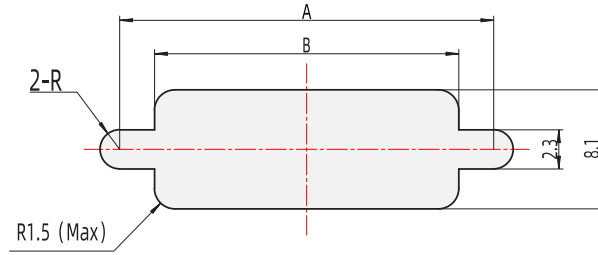
P04



P10

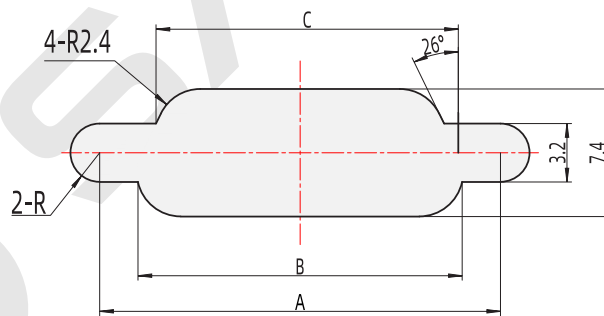


## Mounting Cutout Dimensions - Front Panel Mount



Contact Arrangement	A	B	Contact Arrangement	A	B
J30J02P02A3	18.8	14.8	J30J11P04A3	30.9	26.9
J30J03P03A3	22.9	18.9	J30J12P05A3	35.2	31.2
J30J04P04A3	27	23	J30J13P06A3	39.3	35.3
J30J05P05A3	30.9	26.9	J30J16P03A3	29.3	25.3
J30J06P06A3	35.2	31.2	J30J21P02A3	30.9	26.9
J30J07P07A3	39.3	35.3	J30J23P06A3	43.4	39.4
J30J08P08A3	43.4	39.4	J30J25P02A3	30.9	26.9
J30J09P09A3	47.5	43.5	J30J27P02A3	30.9	26.9
J30J10P10A3	51.6	47.6	J30J39P02A3	37.3	33.3
J30J09P02A3	24.5	20.5			

## Mounting Cutout Dimensions - Rear Panel Mount



Contact Arrangement	A	B	C	Contact Arrangement	A	B	C
02P02	18.8	14.8	12.6	11P04	30.9	26.9	24.7
03P03	22.9	18.9	16.7	12P05	35.2	31.2	29
04P04	27	23	20.8	13P06	39.3	35.3	33.1
05P05	30.9	26.9	24.7	16P03	29.3	25.3	23.1
06P06	35.2	31.2	29	21P02	30.9	26.9	24.7
07P07	39.3	35.3	33.1	23P06	43.4	39.4	37.2
08P08	43.4	39.4	37.2	25P02	30.9	26.9	24.7
09P09	47.5	43.5	41.3	27P02	30.9	26.9	24.7
10P10	51.6	47.6	45.4	39P02	37.3	33.3	31.1
09P02	24.5	20.5	18.3				