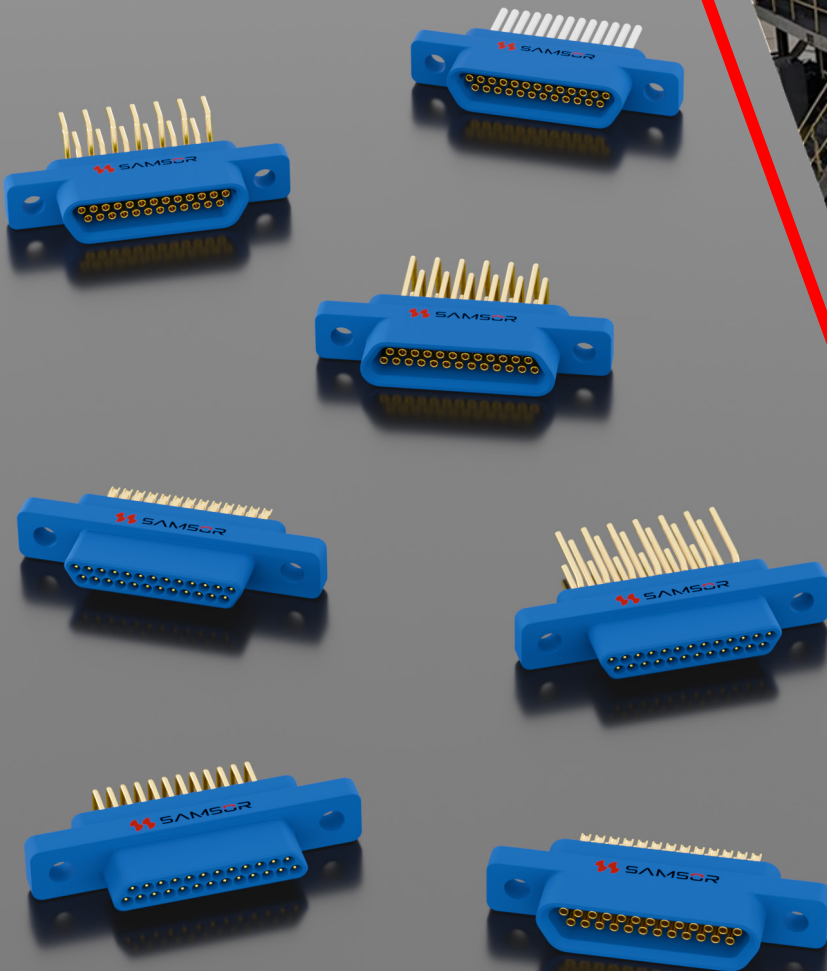
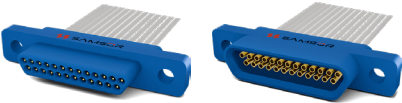


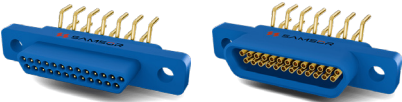





# J30 Series

## Micro-D Connector



# Product Selection Guide

J30 Standard Series		
 <b>3</b> J30 Standard Pre-wired	 <b>5</b> J30 Solder Cup	 <b>7</b> J30 Vertical PCB
 <b>11</b> J30 Vertical PCB	 <b>15</b> J30 Vertical PCB	 <b>19</b> J30 Right Angle PCB
 <b>23</b> J30 Right Angle PCB		

J30 Accessory Styles				
 <b>27</b> L	 <b>27</b> LA	 <b>28</b> P5	 <b>28</b> P7	 <b>29</b> P

## Features

Number of Contacts: 9, 15, 21, 25, 31, 37 and 51 pins
Adopts stranded-wire elastic contact pins (TwistPin), high contact density
Conductor cross-sectional area: 0.1 mm <sup>2</sup> to 0.15 mm <sup>2</sup> . Additionally, conductors with a cross-sectional area of 0.07 mm <sup>2</sup> can also be used, but the product model must be specially noted
The product complies with GJB2446A requirements
Implemented per enterprise standard: Q/SS 106-2017

## Performance Specifications

Operating Temperature	-55°C ~ +125°C
Vibration	10Hz ~ 2000Hz 196m/s <sup>2</sup>
Random vibration	Power density 0.4G <sup>2</sup> /Hz. The total acceleration-root-mean square is 23.1G
Shock	735m/s <sup>2</sup> 11ms
Rated Current	3A
Contact Resistance	≤ 10mΩ
Insulation Resistance	≥ 5000MΩ
Dielectric Withstand Voltage	800V
Durability	500 times

## Contact Arrangement

Face View Pin Connector



## How to order

J30	-	××	TJ/ZK	×	×	×	(Note)
-----	---	----	-------	---	---	---	--------

**Series:** J30

**Contact Layout:** 9、15、21、25、31、37、51

**Contact Type:** TJ - Plug with pin      ZK - Receptacle with socket

**Termination Type:**

Omit - Pre-wired      N、N1 - Vertical PCB      W - Right-Angle PCB      S - Solder Cup

**Hardware Type:**

Y - No Hardware      L、LA - Free End Jackscrew      P - Front Panel Mount Hardware  
 P5 - Vertical PCB Hardware      P7 - Right-Angle PCB Hardware

**Modification Code:**

Omit - Basic Type

"-J"-The grid spacing of the termination pins of the PCB electrical connector has been changed to 1.27mm×2.54mm(column × row)

**Note:** Wire Requirements for Pre-wired Product

If not specified, the default configuration is L=250 mm, AFR250 - 0.12mm<sup>2</sup>-250V, White

If there are other requirements, specify as follows: Wire length (from the rear exit point, unit: mm, default: 250mm); Braid shield (P - Lightweight braided shield; default: no braid shield); Nylon sleeve(F - for military green nylon sleeve; Default: No nylon sleeve); Wire Grade (commonly AFR250, default AFR250); Wire Gauge(compatible with 0.1mm<sup>2</sup> - 0.15mm<sup>2</sup>, default: 0.12mm<sup>2</sup>); Wire Color (optional multiple colors, default: white), Default items may be omitted; all other requirements can be noted. The above notes do not appear on product markings. They only serve as wire requirements for ordering pre-wired products with leads.For additional wiring definitions or requirements, please contact our engineers.

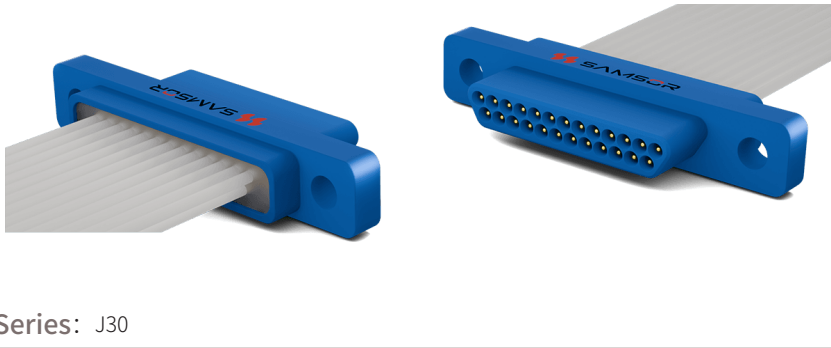
**Note Examples:**

(L600PF AFR250 0.15 White) - Length: 600mm, white wire, type AFR250, Gauge: 0.15mm<sup>2</sup>, braided shielding over wire; nylon sleeve over shielding

(L300F 0.1) - Length: 300mm, white wire, type AFR250, Gauge: 0.1mm<sup>2</sup>, without braid shield, with nylon sleeve over the wire

**Pre-wired Plug - Basic Type J30J-TJ**

J30	-	25	TJ	×	(Note)
-----	---	----	----	---	--------



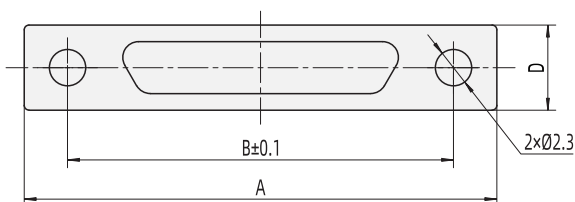
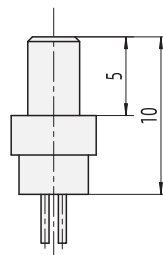
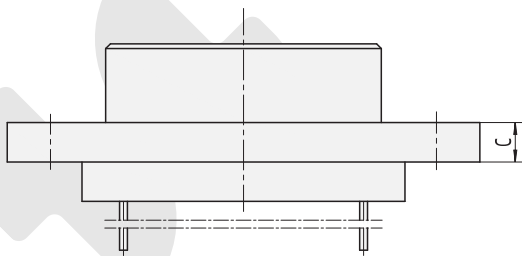
Series: J30

Contact Layout: 9、15、21、25、31、37、51

Contact Type: TJ - Plug with Pin

Hardware Type: Y - No Hardware      L、LA - Free End Jackscrew      P - Front Panel Mount Hardware

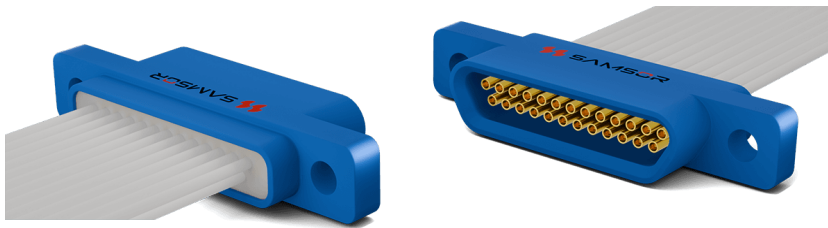
Note: For wire configuration, please refer to the notes in the "Model Naming" section



Type	A	B	C	D
J30-9TJ	19.8	14.3	2.5	5.4
J30-15TJ	23.6	18.2	2.5	5.4
J30-21TJ	27.5	22	2.5	5.4
J30-25TJ	30	24.5	2.5	5.4
J30-31TJ	33.7	28.3	2.5	5.4
J30-37TJ	37.5	32.2	2.5	5.4
J30-51TJ	36.3	30.8	2.3	6.5

**Pre-wired Receptacle- Basic Type J30-ZK**

J30	-	25	ZK	×	(Note)
-----	---	----	----	---	--------



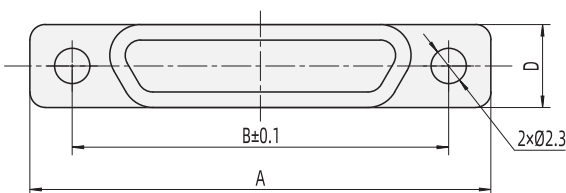
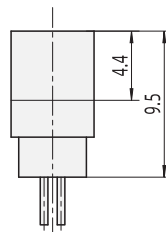
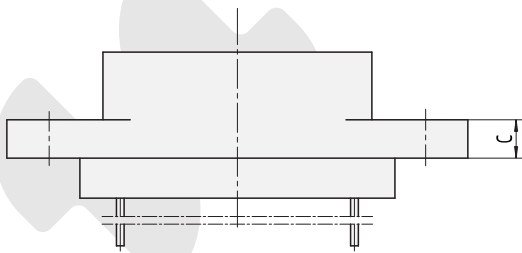
Series: J30

Contact Layout: 9、15、21、25、31、37、51

Contact Type: ZK - Receptacle with Socket

Hardware Type: Y - No Hardware      L、LA - Free End Jackscrew      P - Front Panel Mount Hardware

Note: For wire configuration, please refer to the notes in the "Model Naming" section



Type	A	B	C	D
J30-9ZK	19.8	14.3	2.5	5.4
J30-15ZK	23.6	18.2	2.5	5.4
J30-21ZK	27.5	22	2.5	5.4
J30-25ZK	30	24.5	2.5	5.4
J30-31ZK	33.7	28.3	2.5	5.4
J30-37ZK	37.5	32.2	2.5	5.4
J30-51ZK	36.3	30.8	2.3	6.5

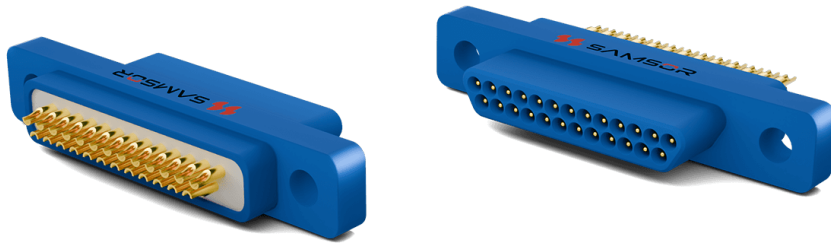
**J30 Series**

Jan 2025, V1.0

Please visit the official website to download 3D models: [www.samsor.com](http://www.samsor.com)

## Solder Cup Plug J30-TJS

J30	-	25	TJ	S	×
-----	---	----	----	---	---



Series: J30

Contact Layout: 9、15、21、25、31、37、51

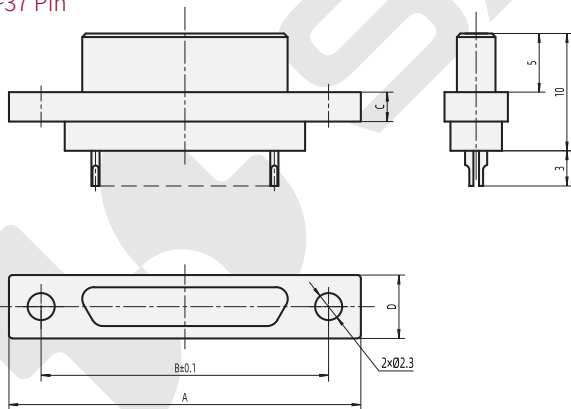
Contact Type: TJ - Plug with Pin

Termination Type: S - Solder Cup

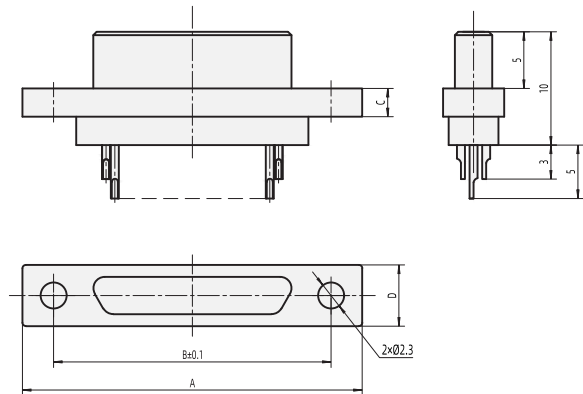
Hardware Type: Y - No Hardware      L、LA - Free End Jackscrew      P - Front Panel Mount Hardware



9~37 Pin



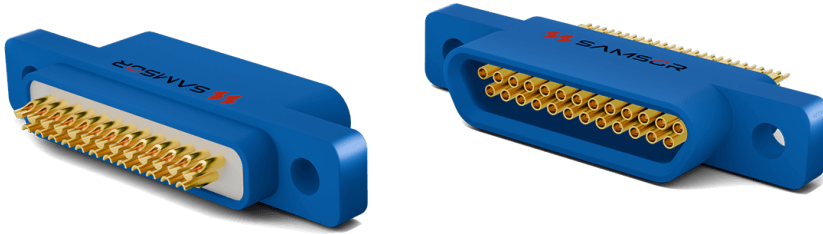
51 Pin



Type	J30-9TJS	J30-15TJS	J30-21TJS	J30-25TJS	J30-31TJS	J30-37TJS	J30-51TJS
A	19.8	23.6	27.5	30	33.7	37.5	36.3
B	14.3	18.2	22	24.5	28.3	32.2	30.8
C	2.5	2.5	2.5	2.5	2.5	2.5	2.3
D	5.4	5.4	5.4	5.4	5.4	5.4	6.5

**Solder Cup Receptacle J30-ZKS**

J30	-	25	ZK	S	×
-----	---	----	----	---	---



Series: J30

Contact Layout: 9、15、21、25、31、37、51

Contact Type: ZK - Receptacle with Socket

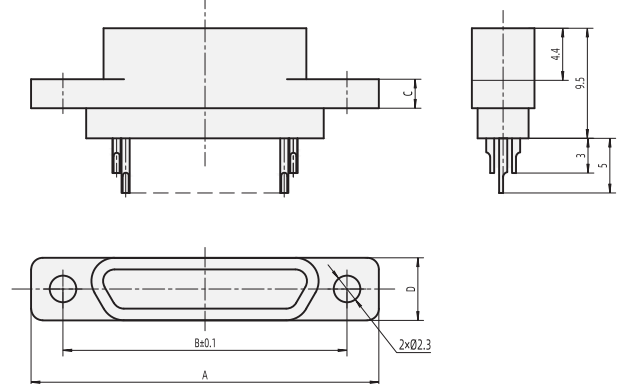
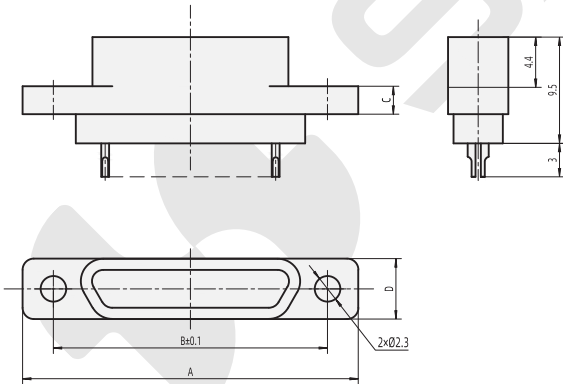
Termination Type: S - Solder Cup

Hardware Type: Y - No Hardware    L、LA - Free End Jackscrew    P - Front Panel Mount Hardware



9~37 Socket

51 Socket



Type	J30-9ZKS	J30-15ZKS	J30-21ZKS	J30-25ZKS	J30-31ZKS	J30-37ZKS	J30-51ZKS
A	19.8	23.6	27.5	30	33.7	37.5	36.3
B	14.3	18.2	22	24.5	28.3	32.2	30.8
C	2.5	2.5	2.5	2.5	2.5	2.5	2.3
D	5.4	5.4	5.4	5.4	5.4	5.4	6.5

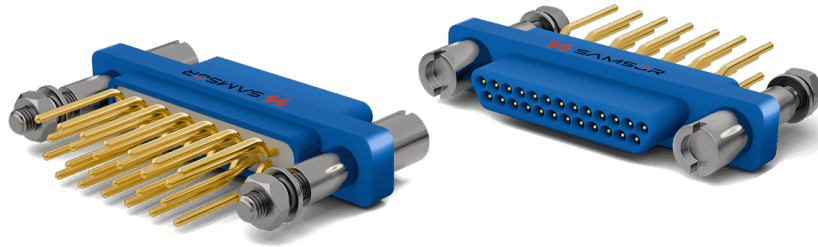
**J30 Series**

Jan 2025, V1.0

Please visit the official website to download 3D models: [www.samsor.com](http://www.samsor.com)

## PCB Plug-Vertical-N type

J30	-	25	TJ	N	P5



Series: J30

Contact Layout: 9、15、21、25、31、37、51

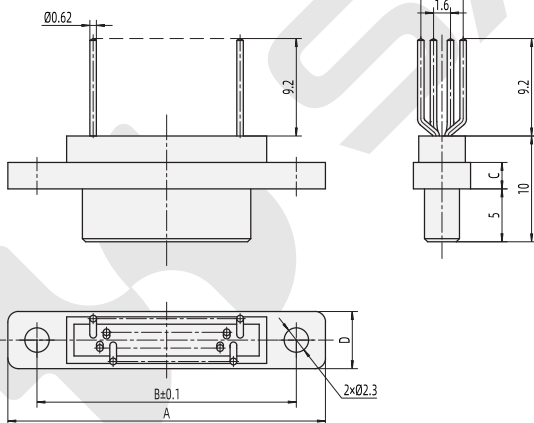
Contact Type: TJ - Plug with Pin

Termination Type: N - Vertical PCB

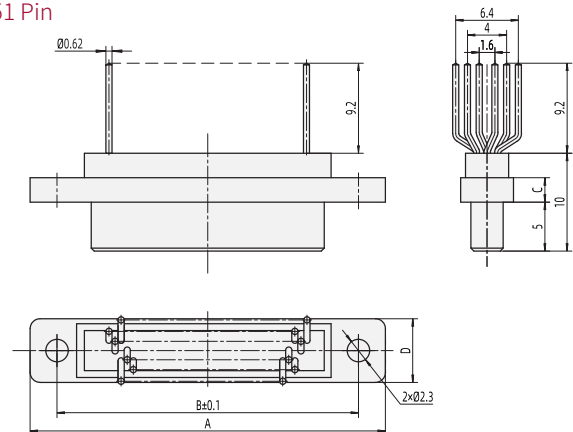
Hardware Type: Y - No Hardware      P5 - Vertical PCB Hardware



9~37 Pin



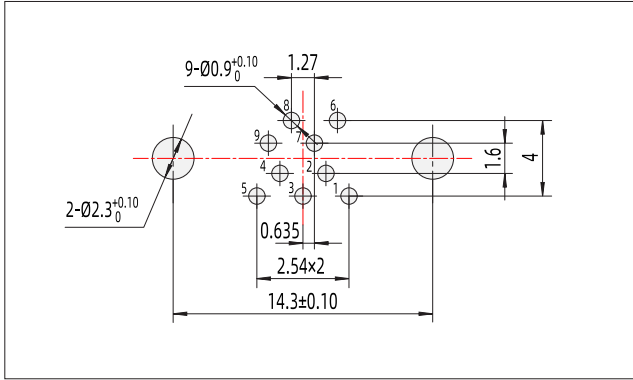
51 Pin



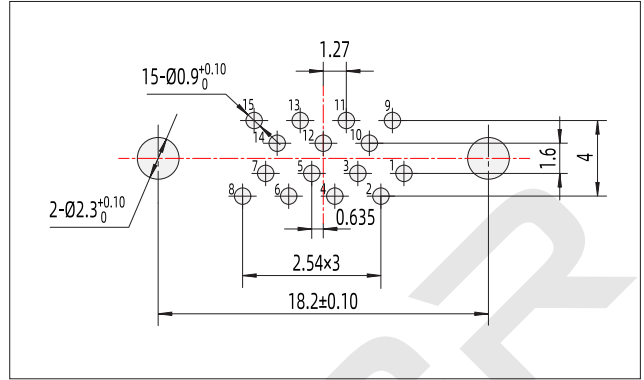
Type	J30-9TJN	J30-15TJN	J30-21TJN	J30-25TJN	J30-31TJN	J30-37TJN	J30-51TJN
A	19.8	23.6	27.5	30	33.7	37.5	36.3
B	14.3	18.2	22	24.5	28.3	32.2	30.8
C	2.5	2.5	2.5	2.5	2.5	2.5	2.3
D	5.4	5.4	5.4	5.4	5.4	5.4	6.5

**J30-xTJN Plug PCB Cutout Dimensions(Grid Spacing 2.54×1.6)**

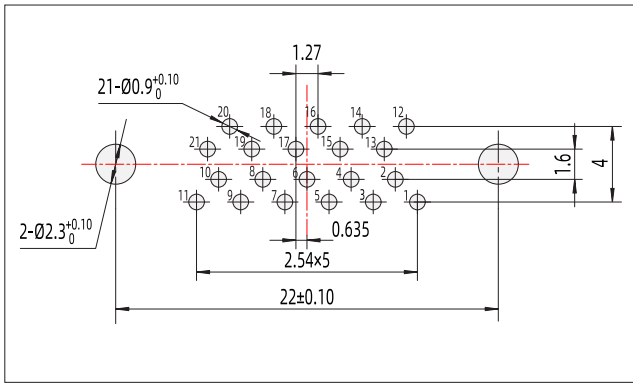
Connector-to-PCB Orientation View



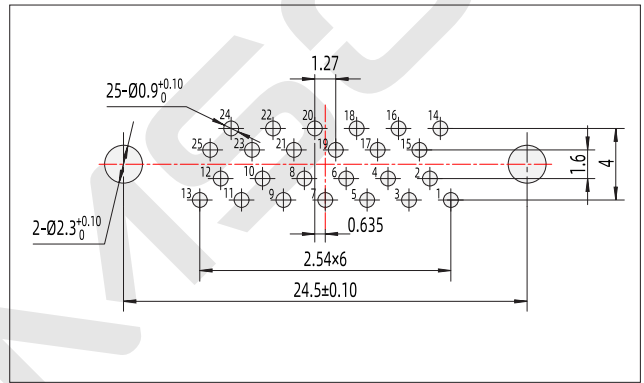
J30-9TJN



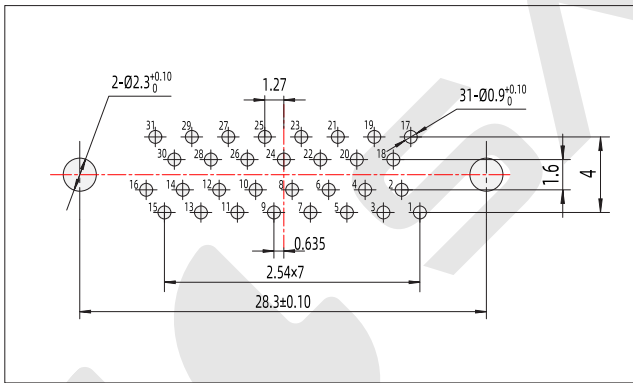
J30-15TJN



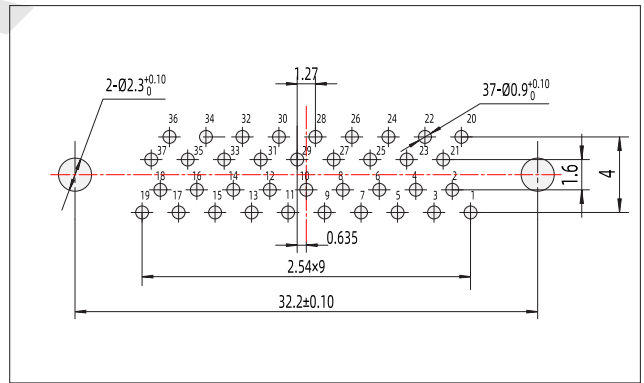
J30-21TJN



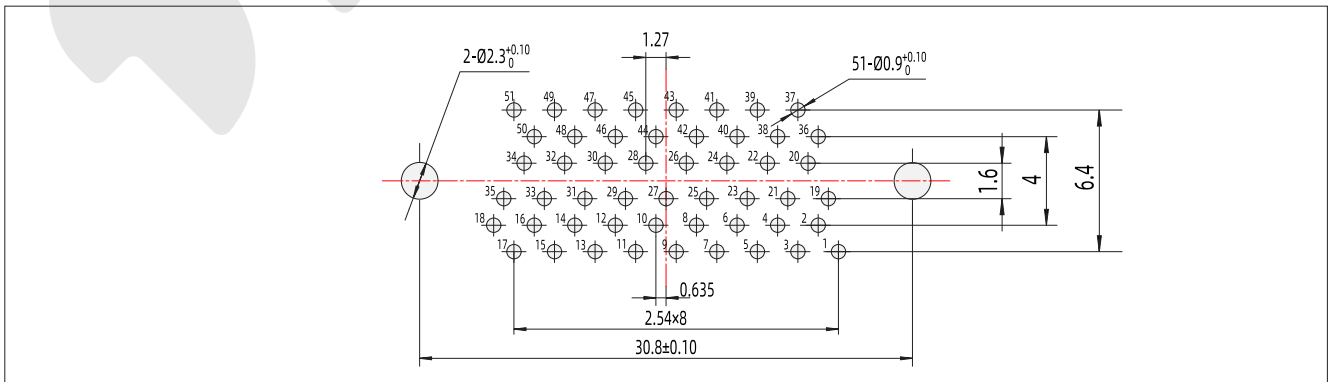
J30-25TJN



J30-31TJN



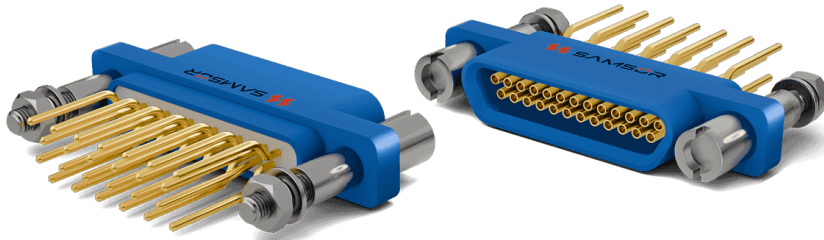
J30-37TJN



J30-51TJN

## PCB Receptacle-Vertical-N type

J30	-	25	ZK	N	P5
-----	---	----	----	---	----



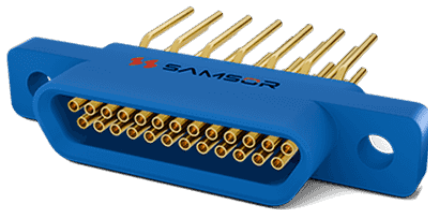
Series: J30

Contact Layout: 9、15、21、25、31、37、51

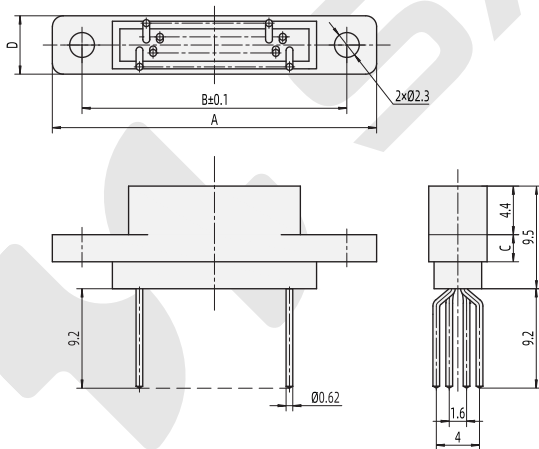
Contact Type: ZK - Receptacle with Socket

Termination Type: N - Vertical PCB

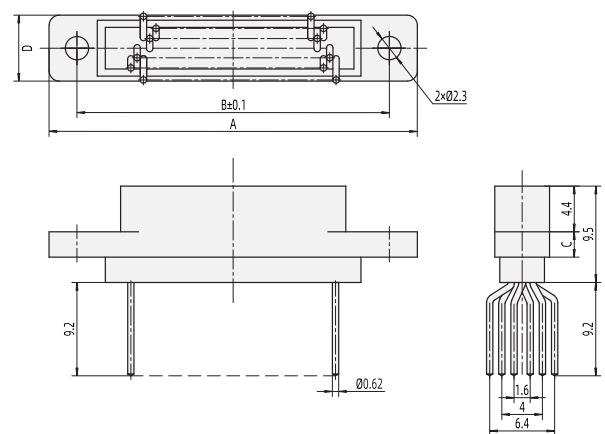
Hardware Type: Y - No Hardware      P5 - Vertical PCB Hardware



9~37 Socket



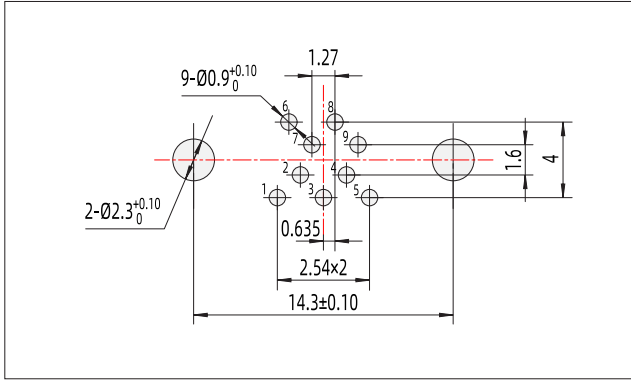
51 Socket



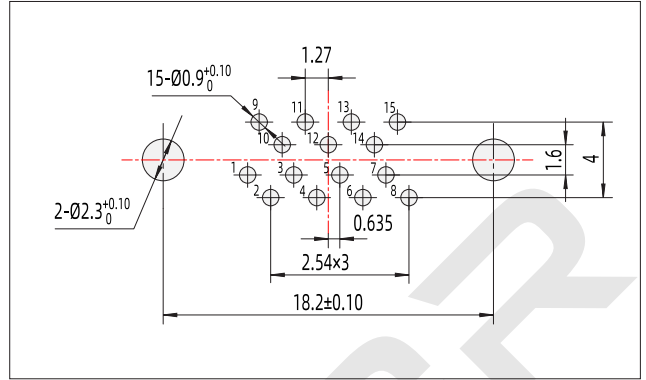
Type	J30-9ZKN	J30-15ZKN	J30-21ZKN	J30-25ZKN	J30-31ZKN	J30-37ZKN	J30-51ZKN
A	19.8	23.6	27.5	30	33.7	37.5	36.3
B	14.3	18.2	22	24.5	28.3	32.2	30.8
C	2.5	2.5	2.5	2.5	2.5	2.5	2.3
D	5.4	5.4	5.4	5.4	5.4	5.4	6.5

**J30-xZKN Receptacle PCB Cutout Dimensions(Grid Spacing 2.54×1.6)**

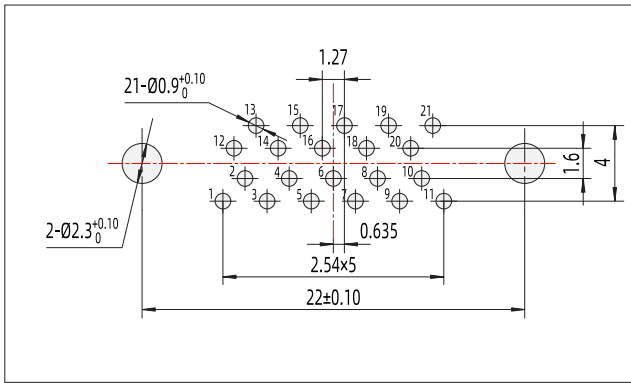
Connector-to-PCB Orientation View



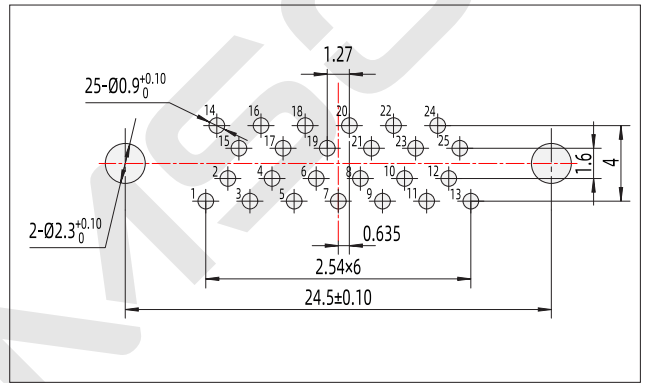
**J30-9ZKN**



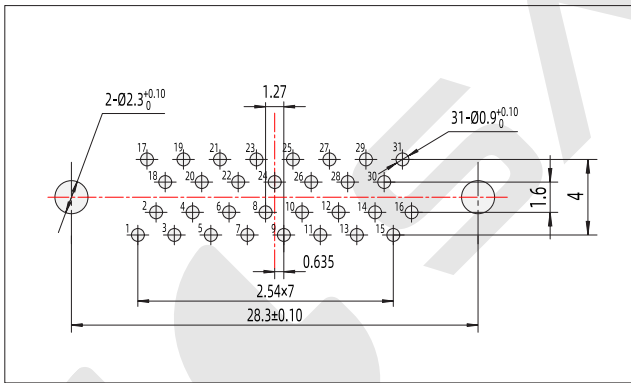
**J30-15ZKN**



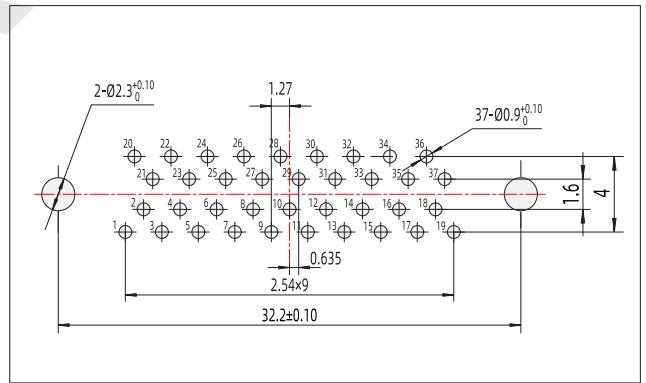
**J30-21ZKN**



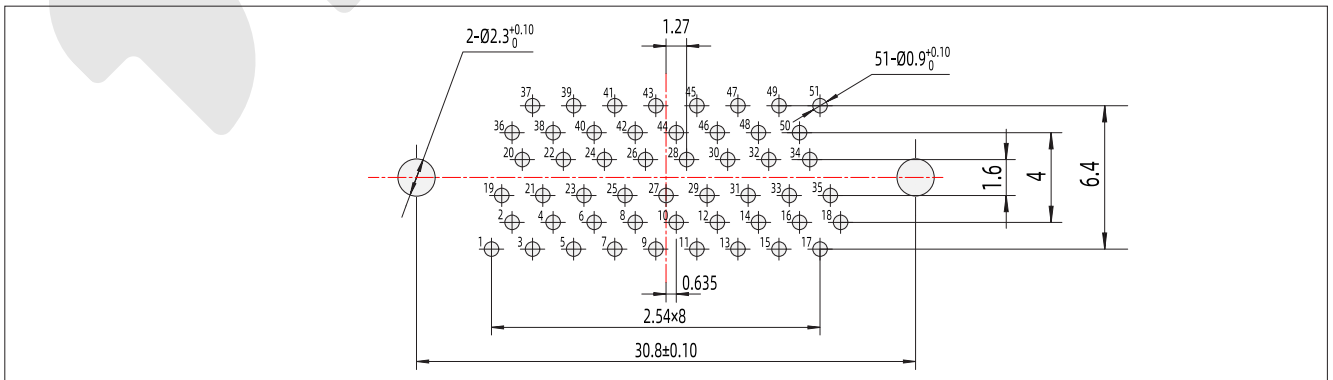
**J30-25ZKN**



**J30-31ZKN**



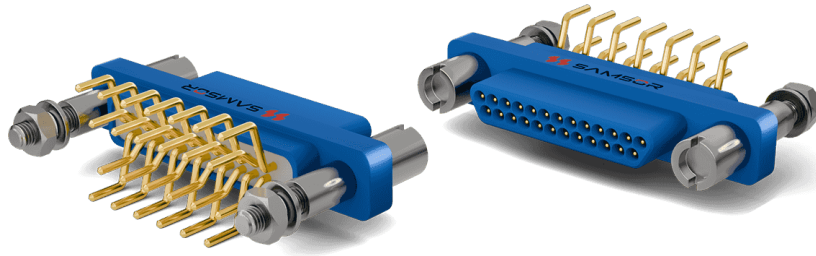
**J30-37ZKN**



**J30-51ZKN**

## PCB Plug-Vertical-N1 type

J30	-	25	TJ	N1	P5



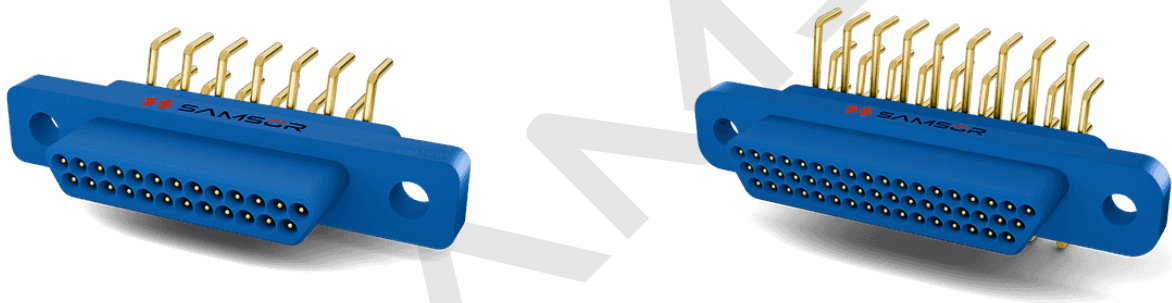
Series: J30

Contact Layout: 9, 15, 21, 25, 31, 37, 51

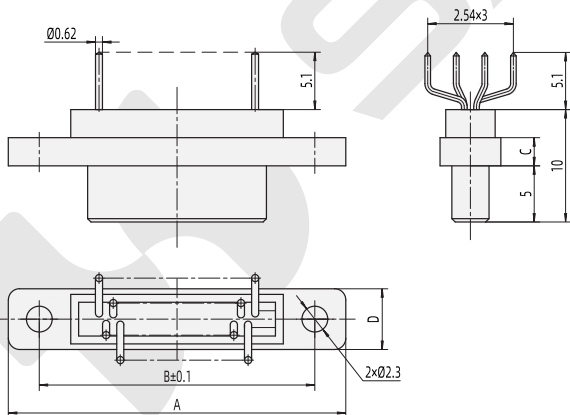
Contact Type: TJ - Plug with Pin

Termination Type: N1 - Vertical PCB

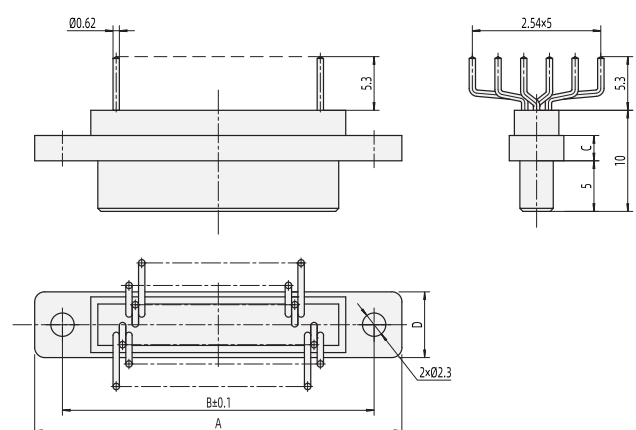
Hardware Type: Y - No Hardware      P5 - Vertical PCB Hardware



9~37 Pin



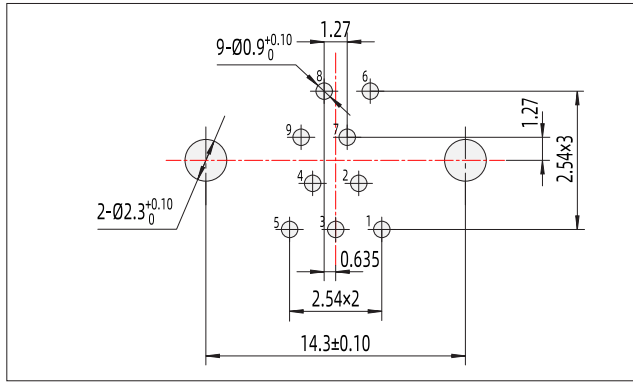
51 Pin



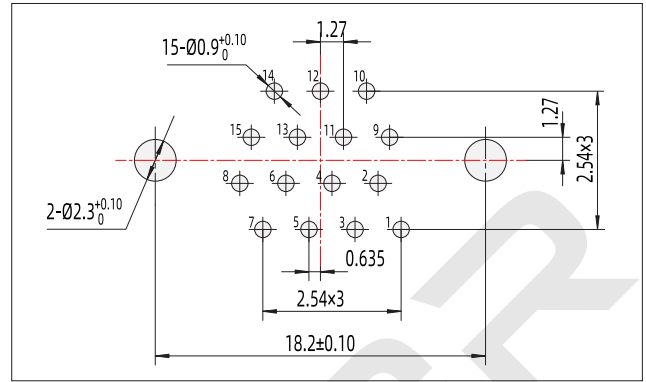
Type	J30-9TJN1	J30-15TJN1	J30-21TJN1	J30-25TJN1	J30-31TJN1	J30-37TJN1	J30-51TJN1
A	19.8	23.6	27.5	30	33.7	37.5	36.3
B	14.3	18.2	22	24.5	28.3	32.2	30.8
C	2.5	2.5	2.5	2.5	2.5	2.5	2.3
D	5.4	5.4	5.4	5.4	5.4	5.4	6.5

**J30-xTJN1 Plug PCB Cutout Dimensions(Grid Spacing 2.54×2.54)**

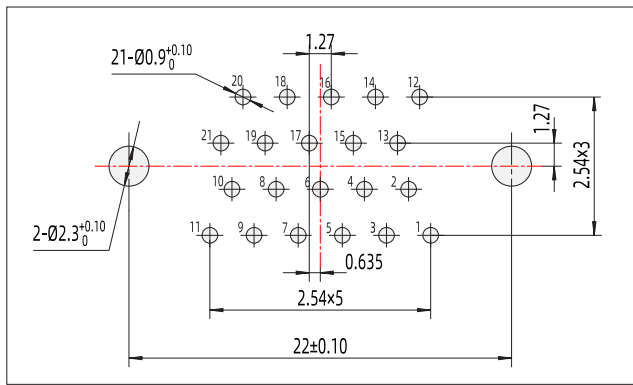
Connector-to-PCB Orientation View



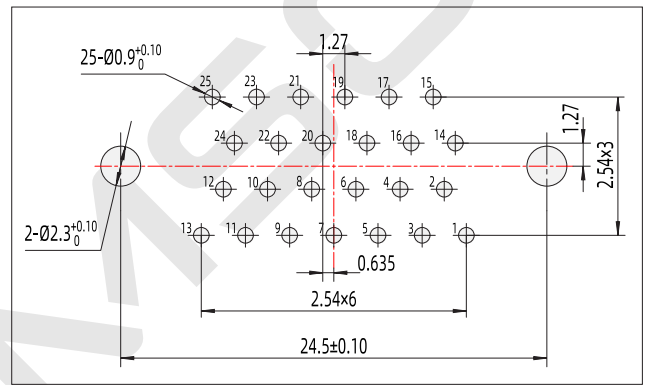
J30-9TJN1



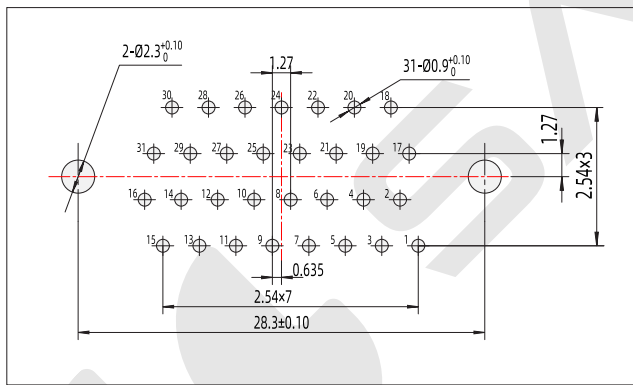
J30-15TJN1



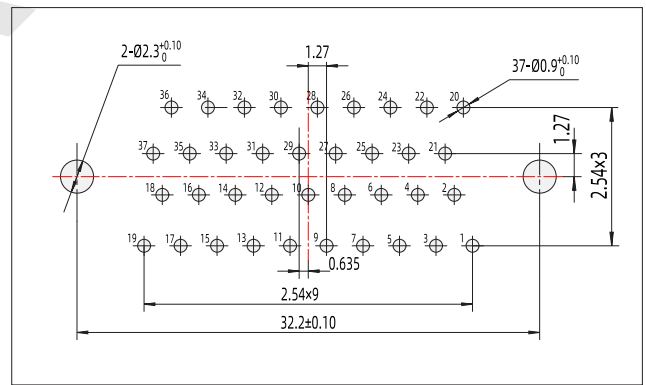
J30-21TJN1



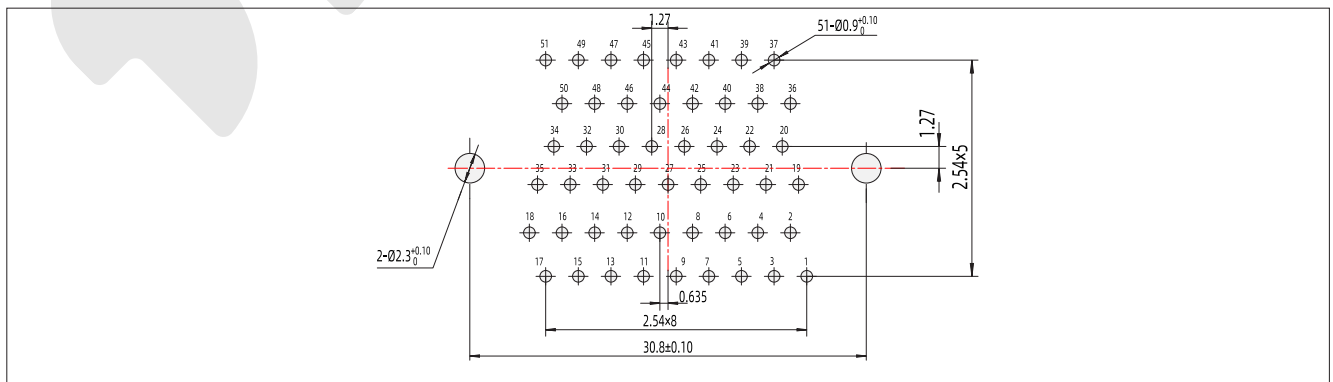
J30-25TJN1



J30-31TJN1



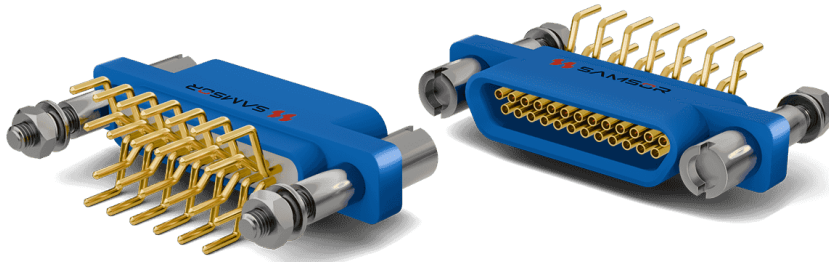
J30-37TJN1



J30-51TJN1

## PCB Receptacle-Vertical-N1 type

J30	-	25	ZK	N1	P5



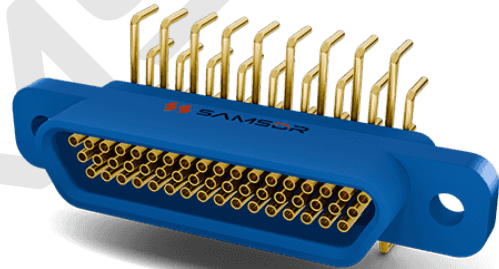
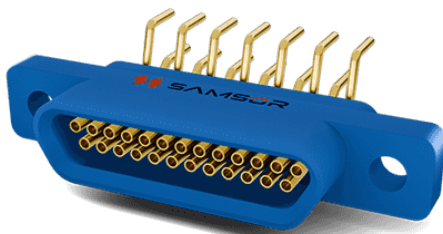
Series: J30

Contact Layout: 9、15、21、25、31、37、51

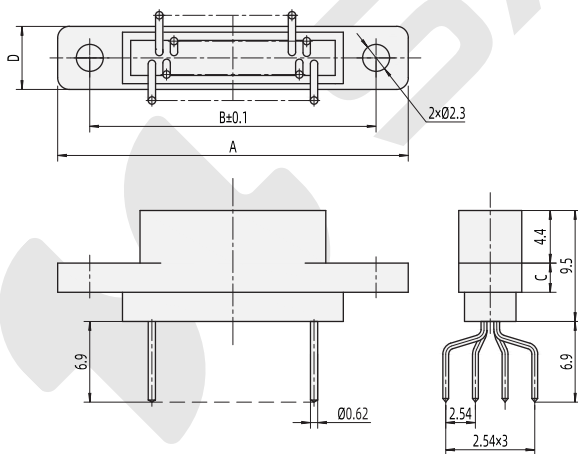
Contact Type: ZK - Receptacle with Socket

Termination Type: N1 - Vertical PCB

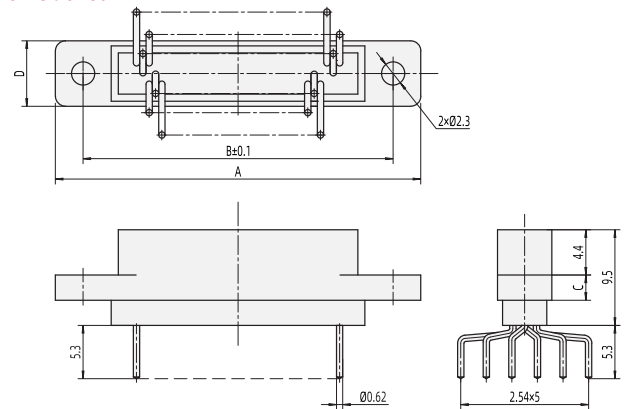
Hardware Type: Y - No Hardware      P5 - Vertical PCB Hardware



9~37 Socket



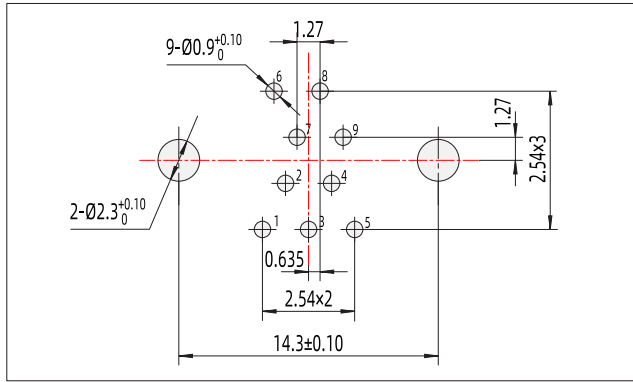
51 Socket



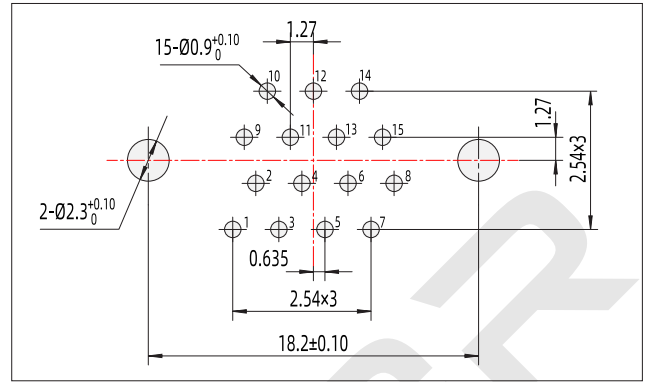
Type	J30-9ZKN1	J30-15ZKN1	J30-21ZKN1	J30-25ZKN1	J30-31ZKN1	J30-37ZKN1	J30-51ZKN1
A	19.8	23.6	27.5	30	33.7	37.5	36.3
B	14.3	18.2	22	24.5	28.3	32.2	30.8
C	2.5	2.5	2.5	2.5	2.5	2.5	2.3
D	5.4	5.4	5.4	5.4	5.4	5.4	6.5

**J30-xZKN1 Receptacle PCB Cutout Dimensions(Grid Spacing 2.54×2.54)**

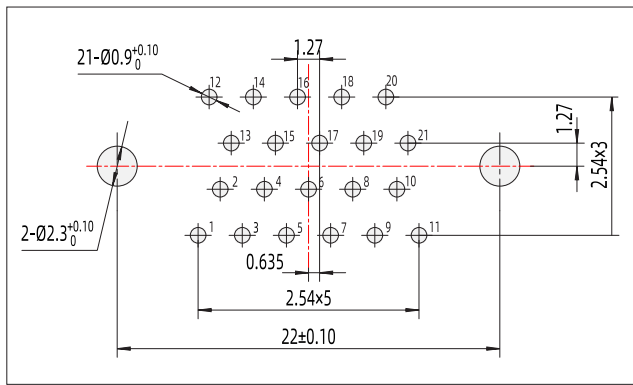
Connector-to-PCB Orientation View



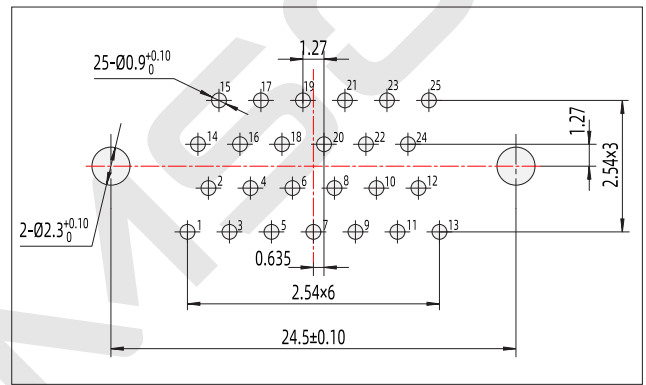
**J30-9ZKN1**



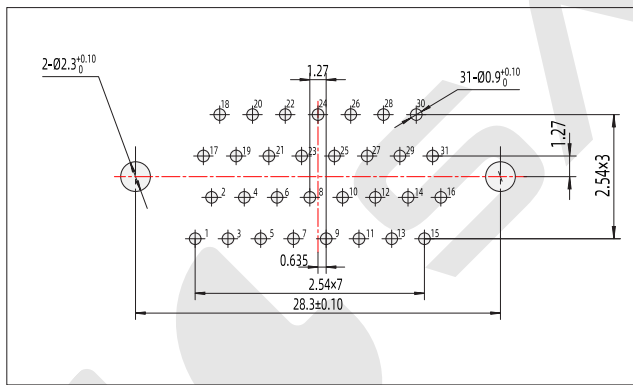
**J30-15ZKN1**



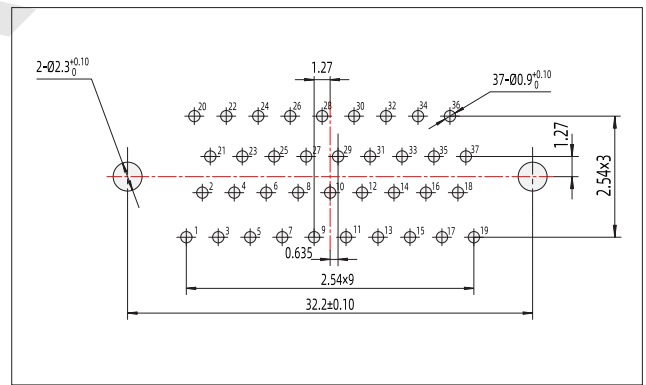
**J30-21ZKN1**



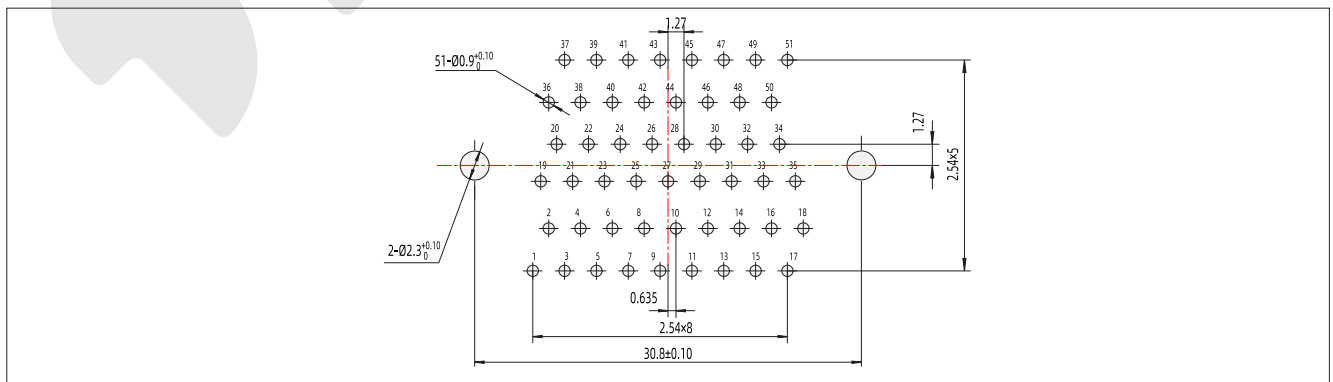
**J30-25ZKN1**



**J30-31ZKN1**



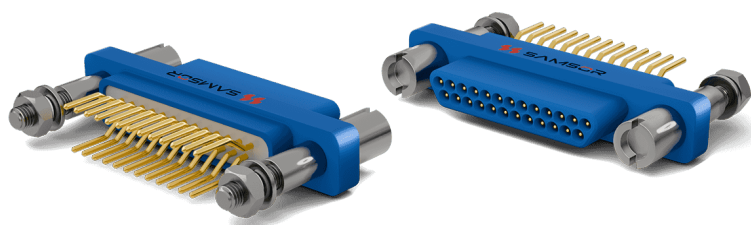
**J30-37ZKN1**



**J30-51ZKN1**

## PCB Plug-Vertical-N-J type

J30	-	25	TJ	N	P5	-J
-----	---	----	----	---	----	----



Series: J30

Contact Layout: 9、15、21、25、31、37、51

Contact Type: TJ - Plug with Pin

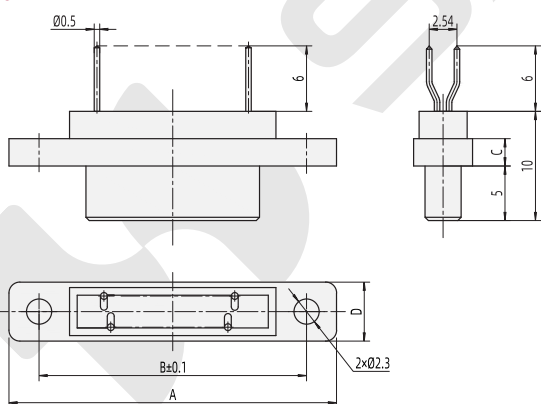
Termination Type: N - Vertical PCB

Hardware Type: Y - No Hardware      P5 - Vertical PCB Hardware

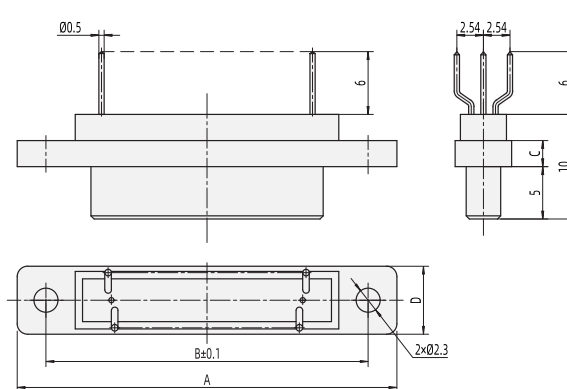
Modified Style: "-J" - The grid pitch of the terminal pins at the rear of the printed circuit board connector has been changed to 1.27×2.54 mm(Column×Row)



9~37 Pin



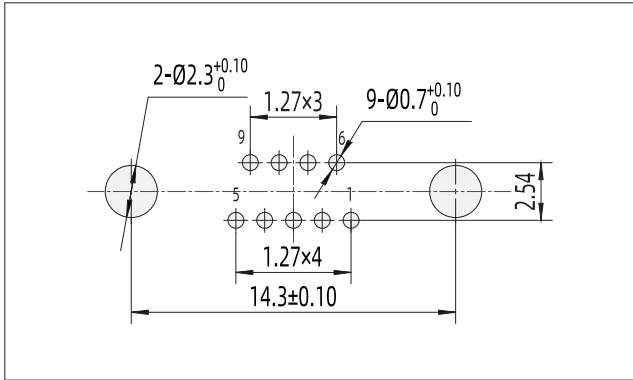
51 Pin



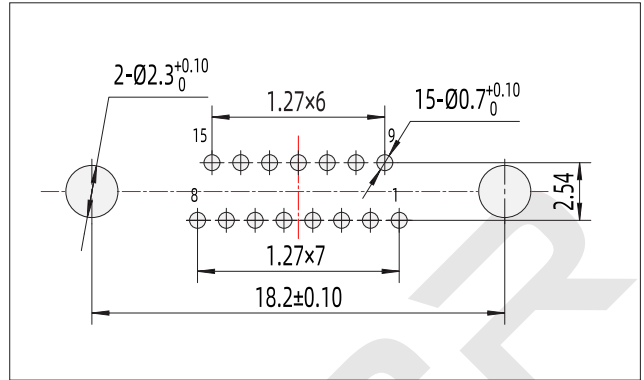
Type	J30-9TJN-J	J30-15TJN-J	J30-21TJN-J	J30-25TJN-J	J30-31TJN-J	J30-37TJN-J	J30-51TJN-J
A	19.8	23.6	27.5	30	33.7	37.5	36.3
B	14.3	18.2	22	24.5	28.3	32.2	30.8
C	2.5	2.5	2.5	2.5	2.5	2.5	2.3
D	5.4	5.4	5.4	5.4	5.4	5.4	6.5

**J30-xTJN-J Plug PCB Cutout Dimensions (Grid Spacing 1.27×2.54)**

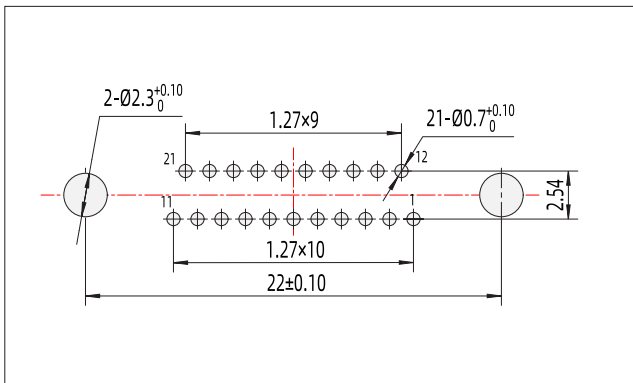
Connector-to-PCB Orientation View



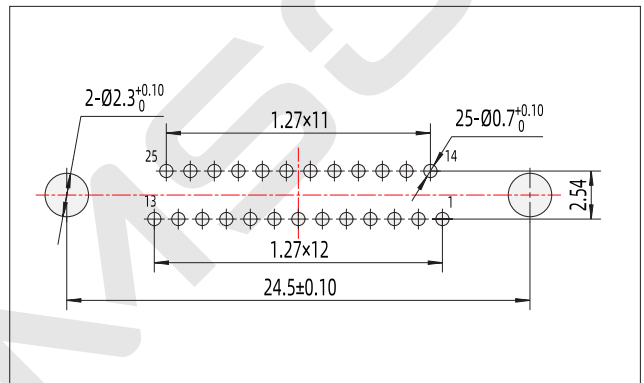
J30-9TJN-J



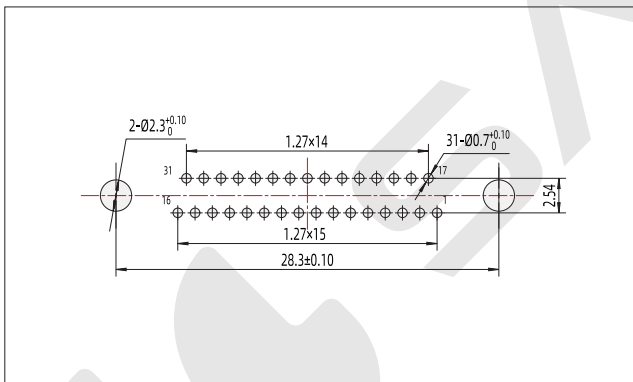
J30-15TJN-J



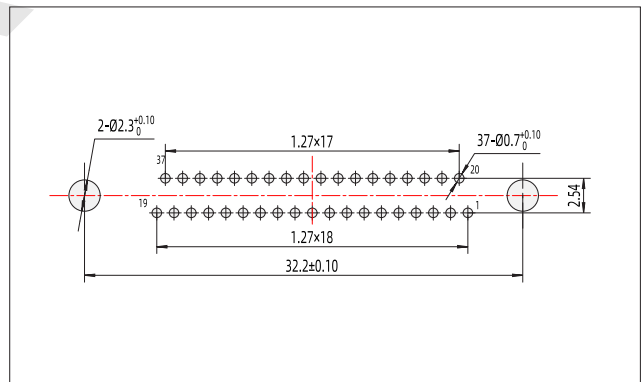
J30-21TJN-J



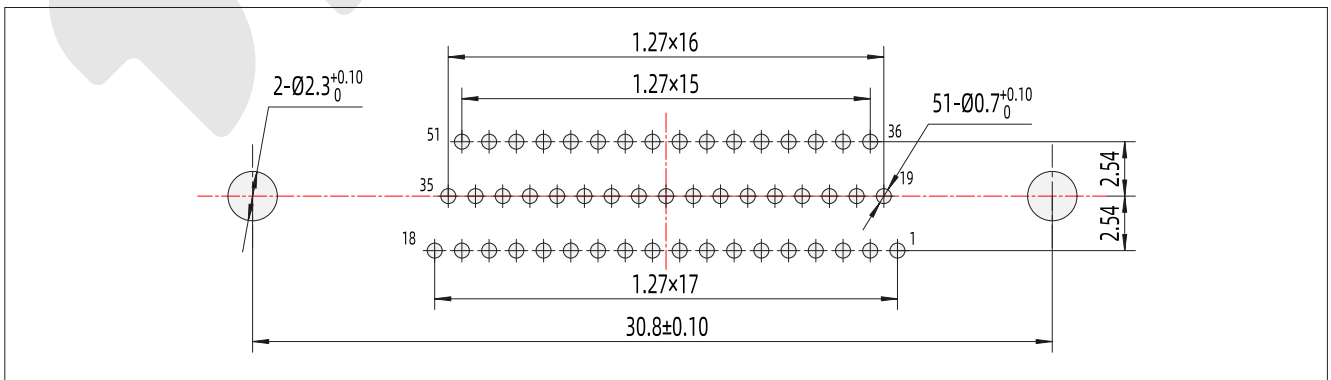
J30-25TJN-J



J30-31TJN-J



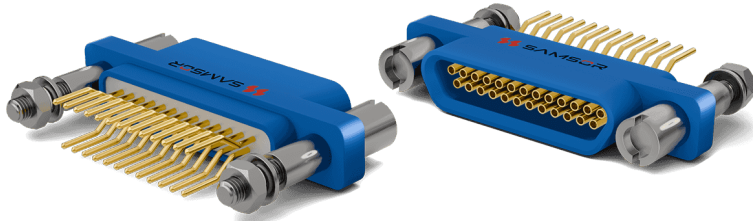
J30-37TJN-J



J30-51TJN-J

## PCB Receptacle-Vertical-N-J type

J30	-	25	ZK	N	P5	-J
-----	---	----	----	---	----	----



Series: J30

Contact Layout: 9、15、21、25、31、37、51

Contact Type: ZK - Receptacle with Socket

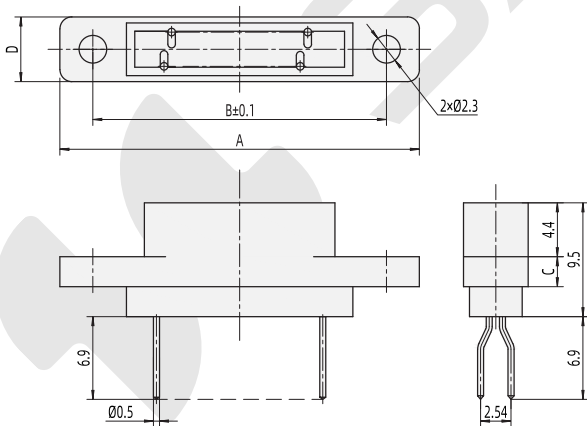
Termination Type: N - Vertical PCB

Hardware Type: Y - No Hardware      P5 - Vertical PCB Hardware

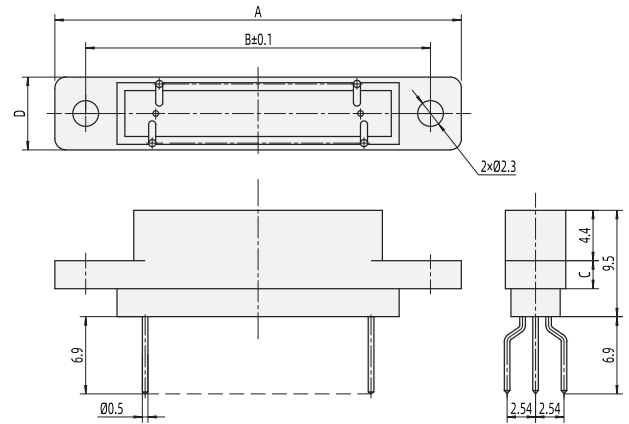
Modified Style: "-J" - The grid pitch of the terminal pins at the rear of the printed circuit board connector has been changed to 1.27×2.54 mm(Column×Row)



9~37 Socket



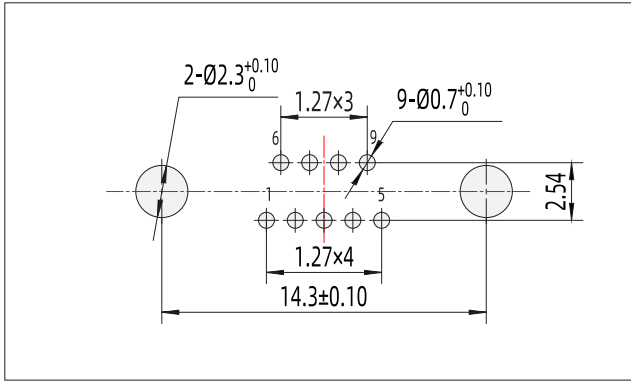
51 Socket



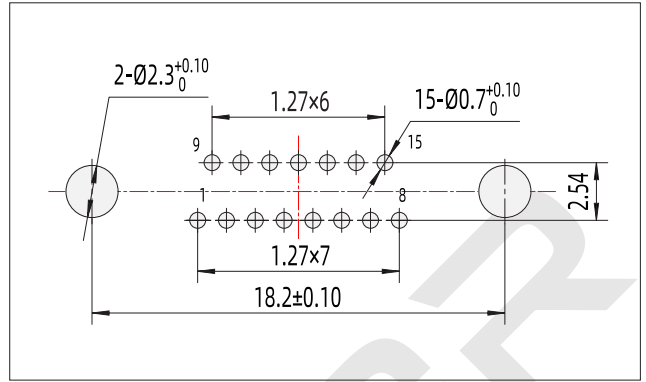
Type	J30-9ZKN-J	J30-15ZKN-J	J30-21ZKN-J	J30-25ZKN-J	J30-31ZKN-J	J30-37ZKN-J	J30-51ZKN-J
A	19.8	23.6	27.5	30	33.7	37.5	36.3
B	14.3	18.2	22	24.5	28.3	32.2	30.8
C	2.5	2.5	2.5	2.5	2.5	2.5	2.3
D	5.4	5.4	5.4	5.4	5.4	5.4	6.5

**J30-xZKN-J Receptacle PCB Cutout Dimensions(Grid Spacing 1.27×2.54)**

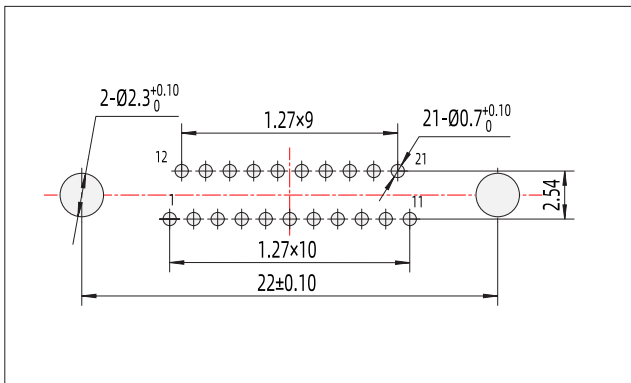
Connector-to-PCB Orientation View



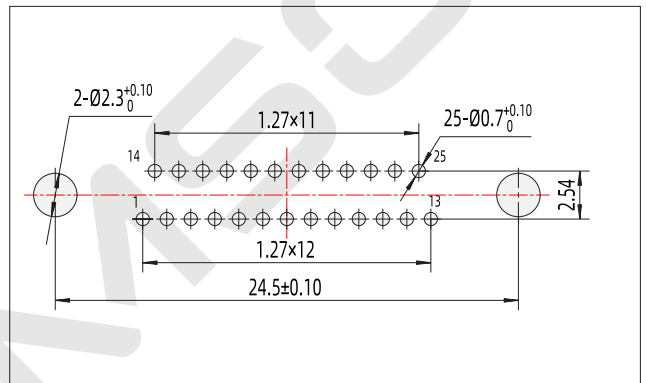
J30-9ZKN-J



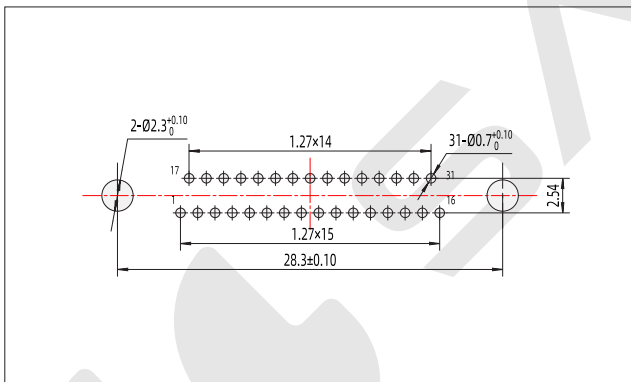
J30-15ZKN-J



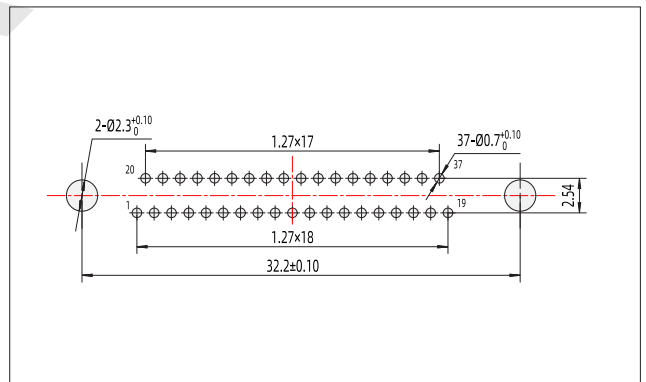
J30-21ZKN-J



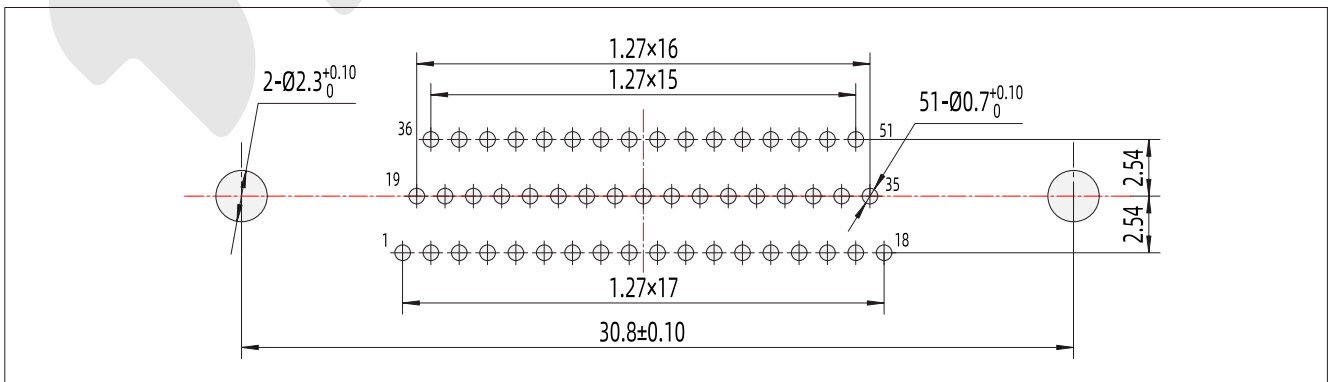
J30-25ZKN-J



J30-31ZKN-J



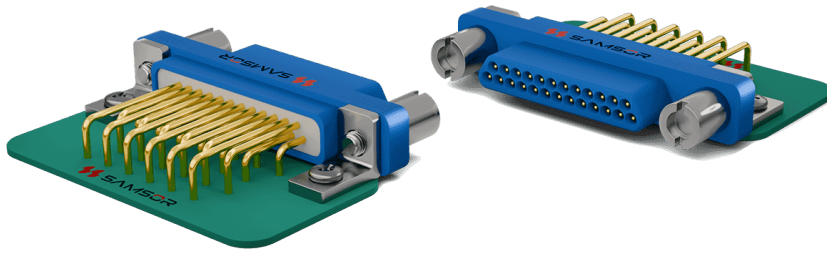
J30-37ZKN-J



J30-51ZKN-J

## PCB Plug-Right Angle-W type

J30	-	25	TJ	W	P7



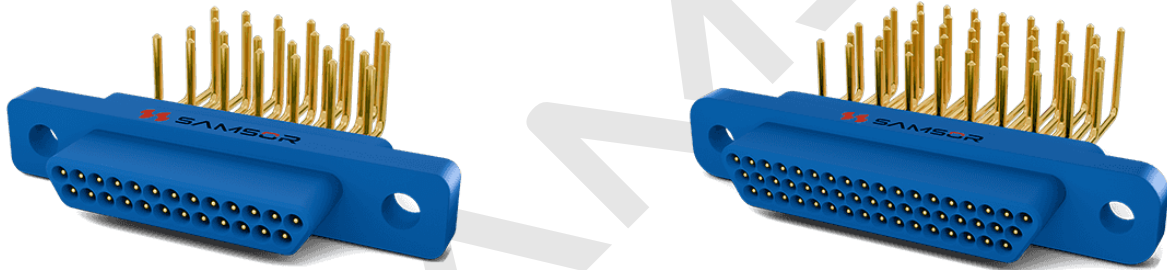
Series: J30

Contact Layout: 9、15、21、25、31、37、51

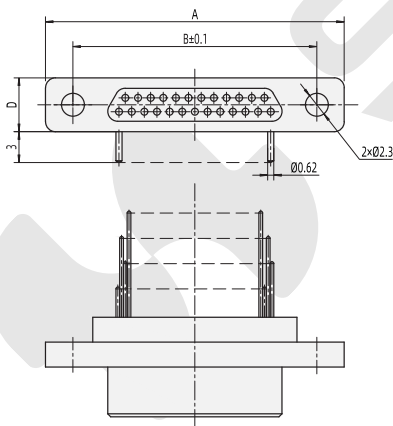
Contact Type: TJ - Plug with Pin

Termination Type: W - Right Angle PCB

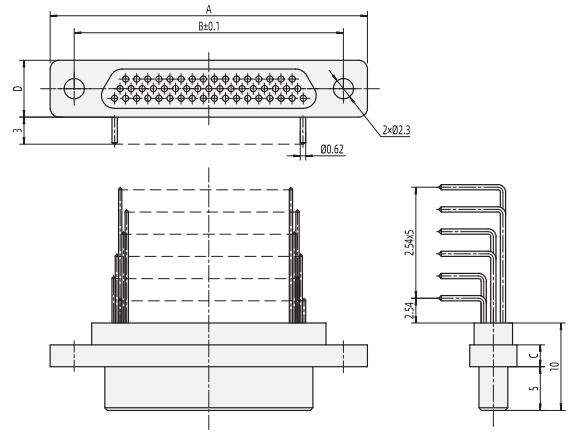
Hardware Type: Y - No Hardware      P7 - Right Angle PCB Hardware



9~37 Pin



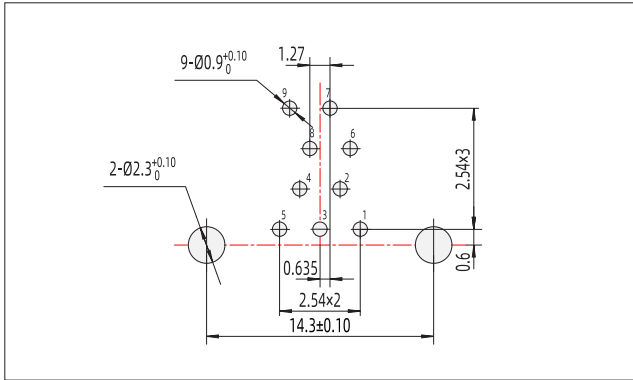
51 Pin



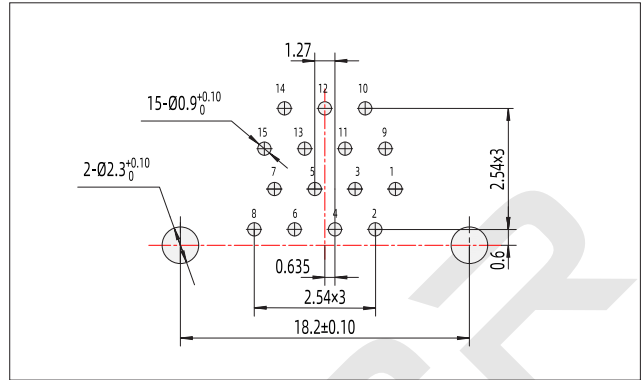
Type	J30-9TJW	J30-15TJW	J30-21TJW	J30-25TJW	J30-31TJW	J30-37TJW	J30-51TJW
A	19.8	23.6	27.5	30	33.7	37.5	36.3
B	14.3	18.2	22	24.5	28.3	32.2	30.8
C	2.5	2.5	2.5	2.5	2.5	2.5	2.3
D	5.4	5.4	5.4	5.4	5.4	5.4	6.5

**J30-xTJW Plug PCB Cutout Dimensions(Grid Spacing 2.54×2.54)**

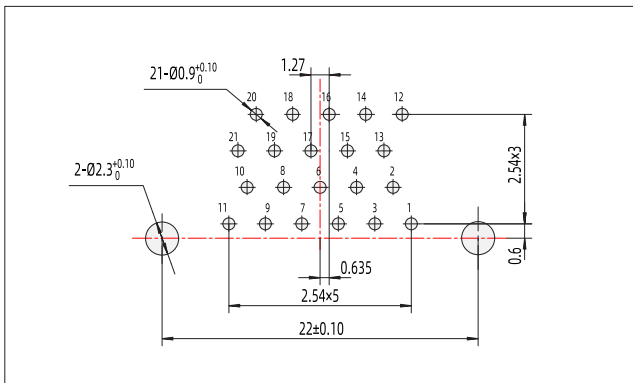
Connector-to-PCB Orientation View



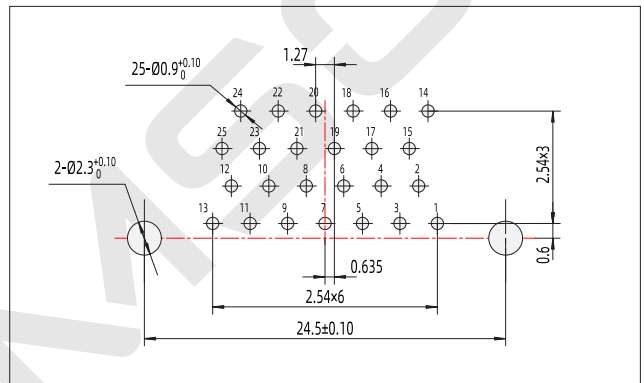
J30-9TJW



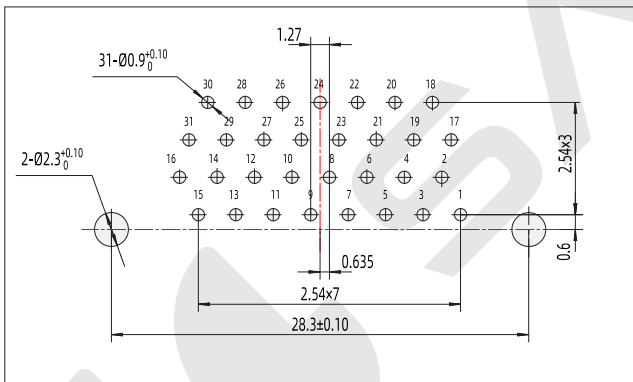
J30-15TJW



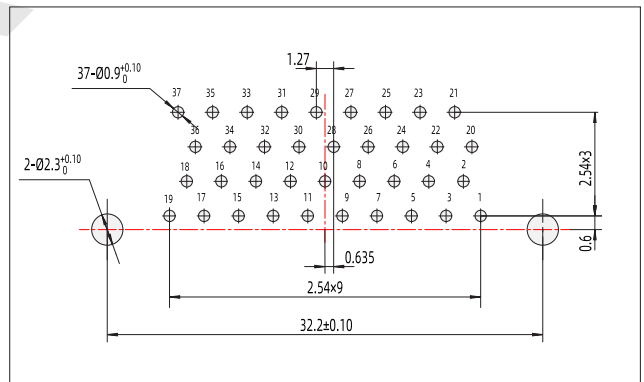
J30-21TJW



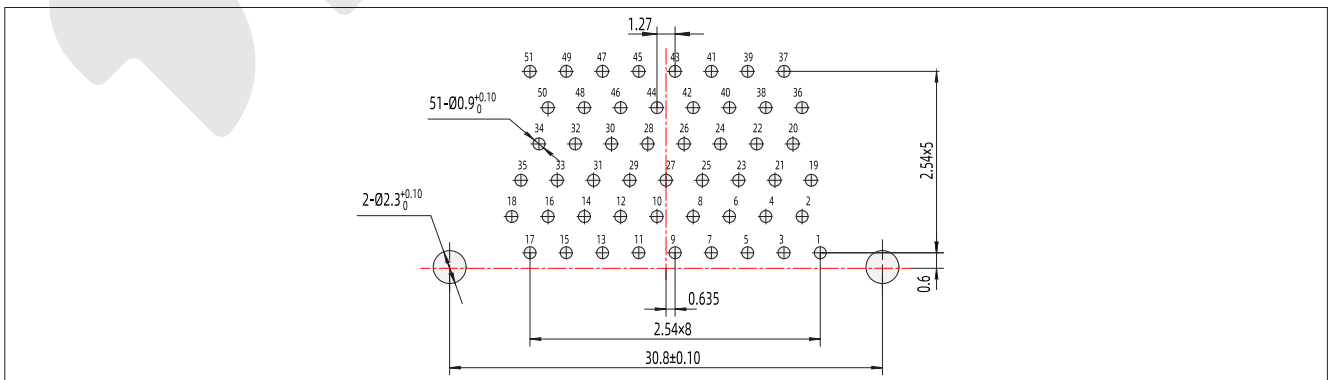
J30-25TJW



J30-31TJW



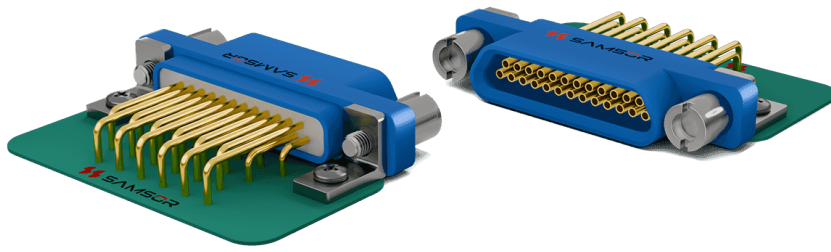
J30-37TJW



J30-51TJW

## PCB Receptacle-Right Angle-W type

J30	-	25	ZK	W	P7



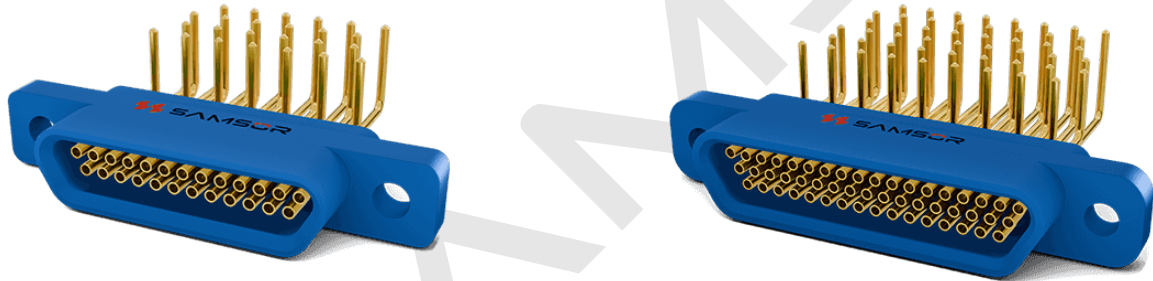
Series: J30

Contact Layout: 9、15、21、25、31、37、51

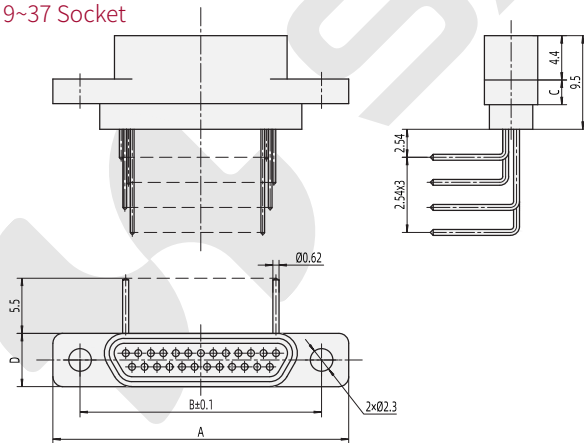
Contact Type: ZK - Receptacle with Socket

Termination Type: W - Right Angle PCB

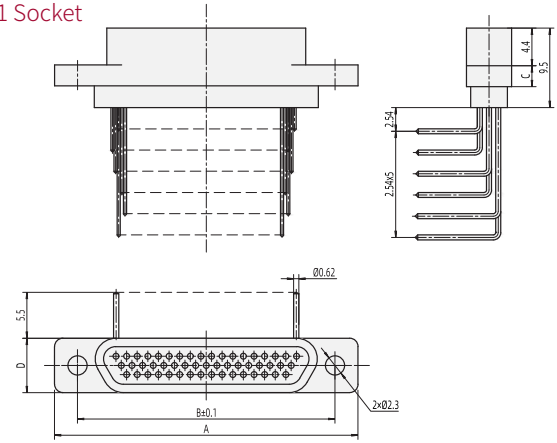
Hardware Type: Y - No Hardware      P7 - Right Angle PCB Hardware



9~37 Socket



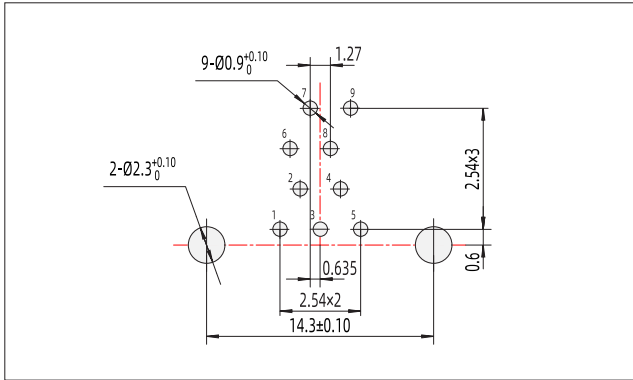
51 Socket



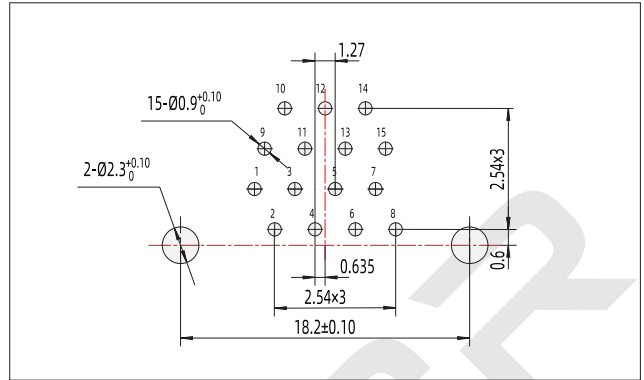
Type	J30-9ZKW	J30-15ZKW	J30-21ZKW	J30-25ZKW	J30-31ZKW	J30-37ZKW	J30-51ZKW
A	19.8	23.6	27.5	30	33.7	37.5	36.3
B	14.3	18.2	22	24.5	28.3	32.2	30.8
C	2.5	2.5	2.5	2.5	2.5	2.5	2.3
D	5.4	5.4	5.4	5.4	5.4	5.4	6.5

**J30-xZKW Receptacle PCB Cutout Dimensions(Grid Spacing 2.54×2.54)**

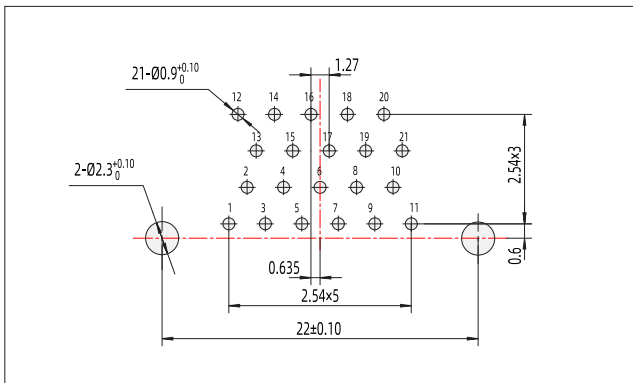
Connector-to-PCB Orientation View



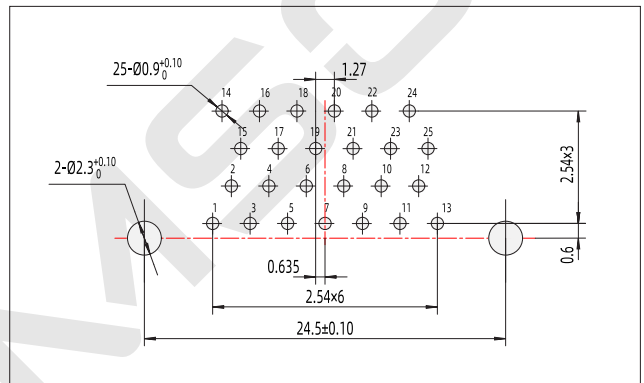
**J30-9ZKW**



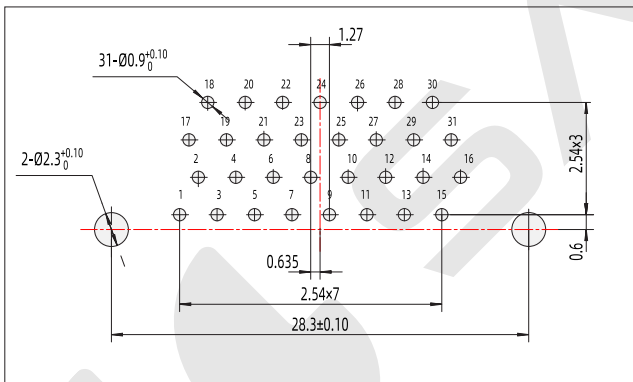
**J30-15ZKW**



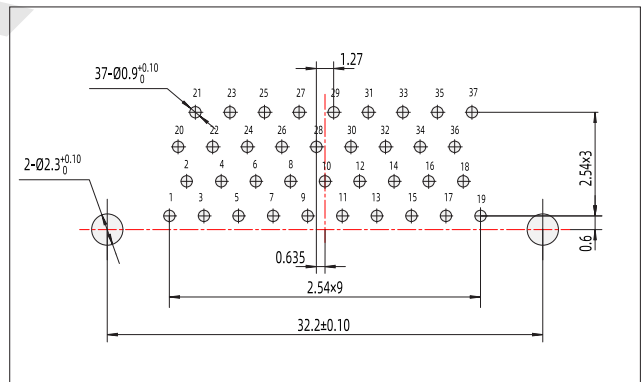
**J30-21ZKW**



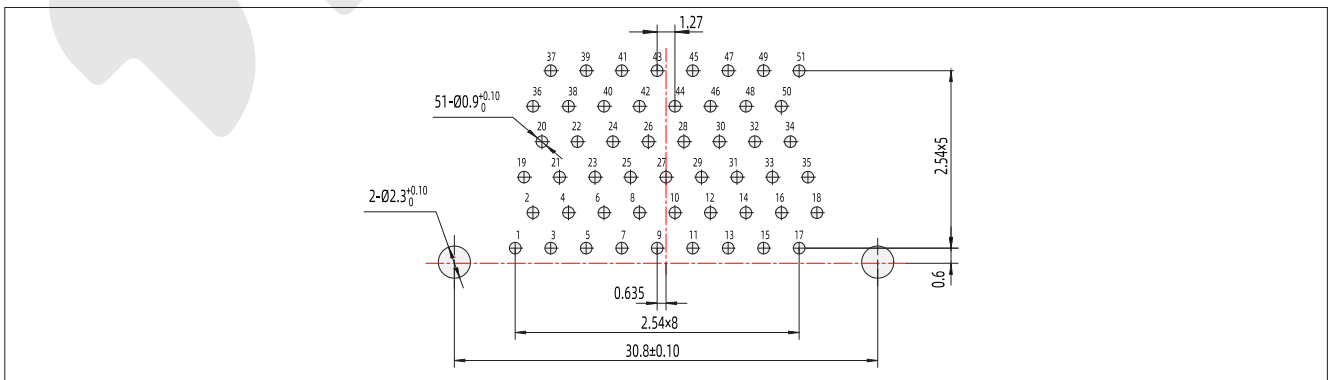
**J30-25ZKW**



**J30-31ZKW**



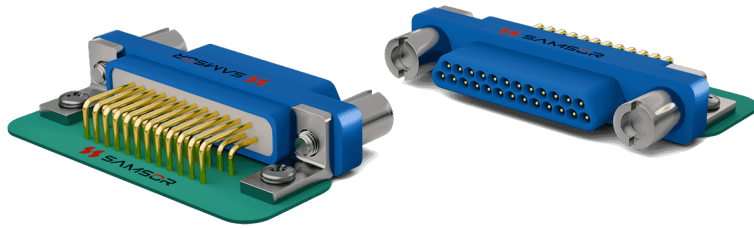
**J30-37ZKW**



**J30-51ZKW**

## PCB Plug-Right Angle-W-J type

J30	-	25	TJ	W	P7	-J
-----	---	----	----	---	----	----



Series: J30

Contact Layout: 9、15、21、25、31、37、51

Contact Type: TJ - Plug with Pin

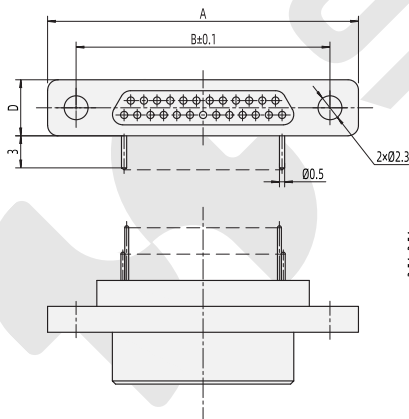
Termination Type: W - Right Angle PCB

Hardware Type: Y - No Hardware      P7 - Right Angle PCB Hardware

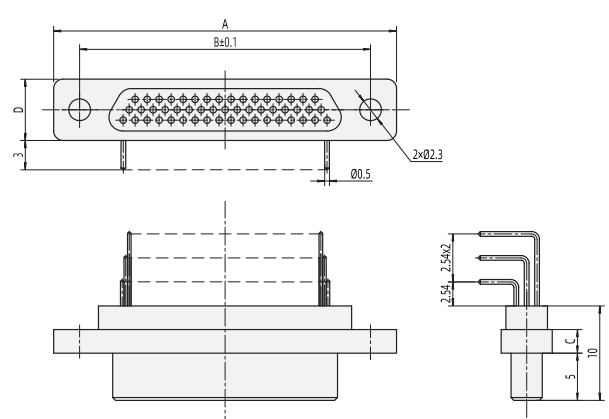
Modified Style: “-J” - The grid pitch of the terminal pins at the rear of the printed circuit board connector has been changed to 1.27×2.54 mm(Column×Row)



9~37 Pin



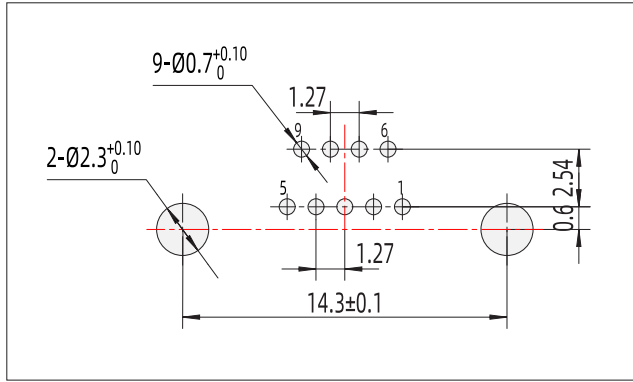
51 Pin



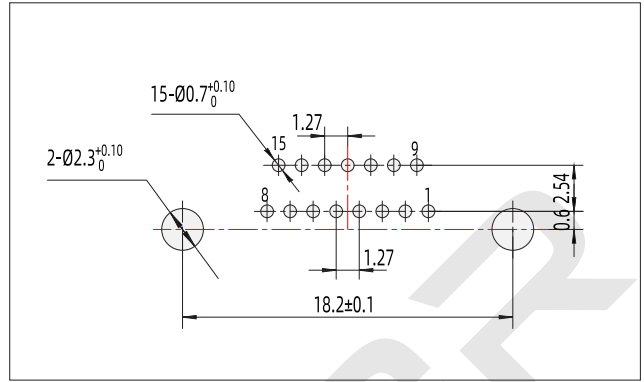
Type	J30-9TJW-J	J30-15TJW-J	J30-21TJW-J	J30-25TJW-J	J30-31TJW-J	J30-37TJW-J	J30-51TJW-J
A	19.8	23.6	27.5	30	33.7	37.5	36.3
B	14.3	18.2	22	24.5	28.3	32.2	30.8
C	2.5	2.5	2.5	2.5	2.5	2.5	2.3
D	5.4	5.4	5.4	5.4	5.4	5.4	6.5

**J30-xTJW-J Plug PCB Cutout Dimensions(Grid Spacing 1.27×2.54)**

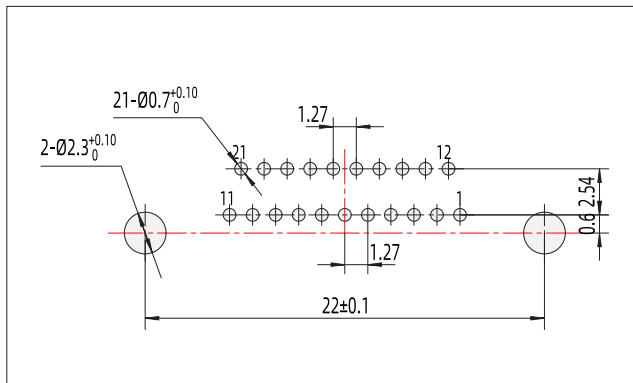
Connector-to-PCB Orientation View



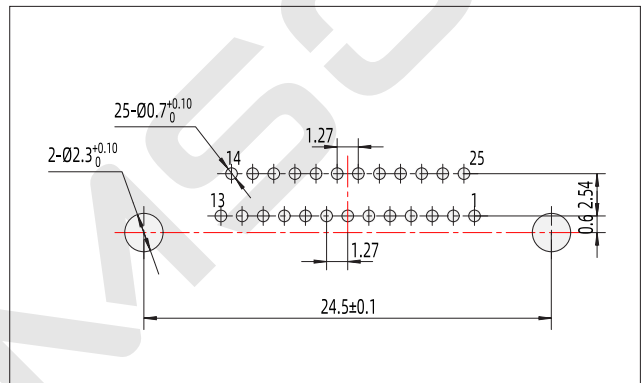
J30-9TJW-J



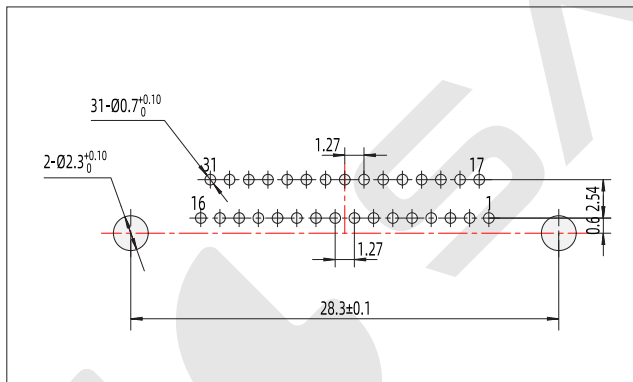
J30-15TJW-J



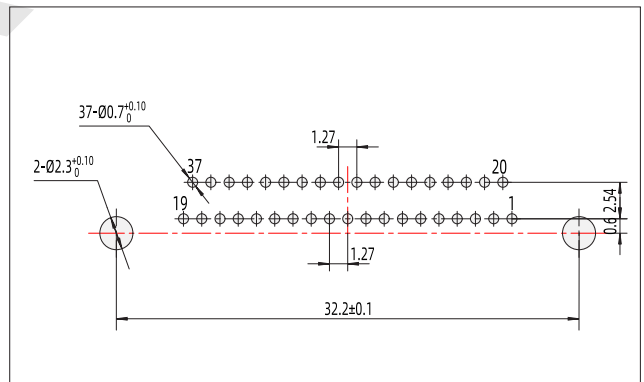
J30-21TJW-J



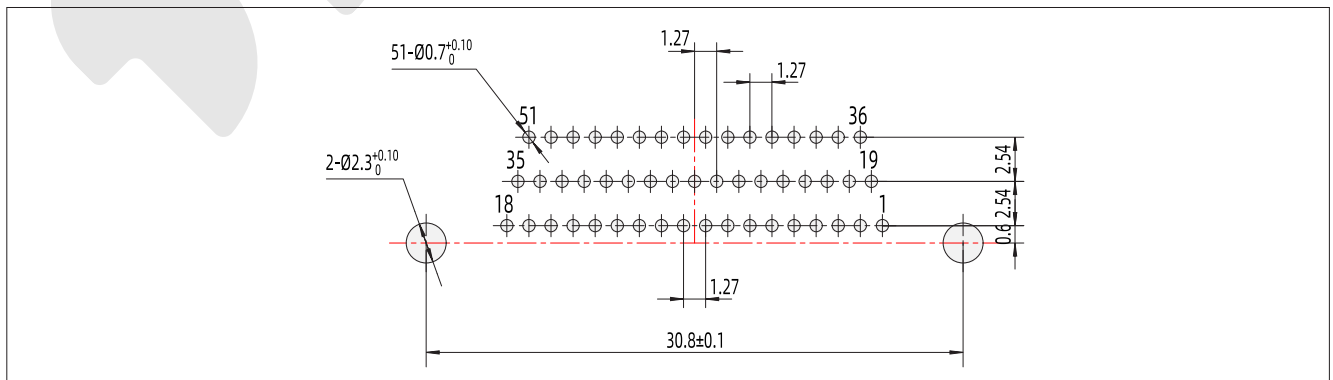
J30-25TJW-J



J30-31TJW-J



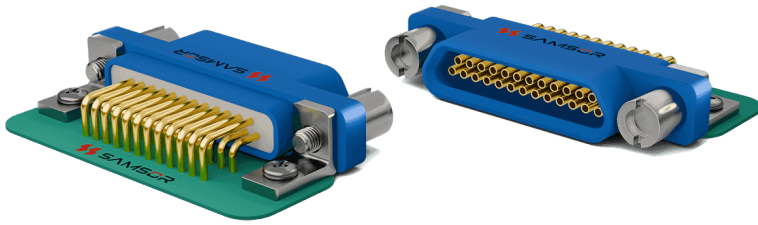
J30-37TJW-J



J30-51TJW-J

## PCB Receptacle-Right Angle-W-J type

J30	-	25	ZK	W	P7	-J
-----	---	----	----	---	----	----



Series: J30

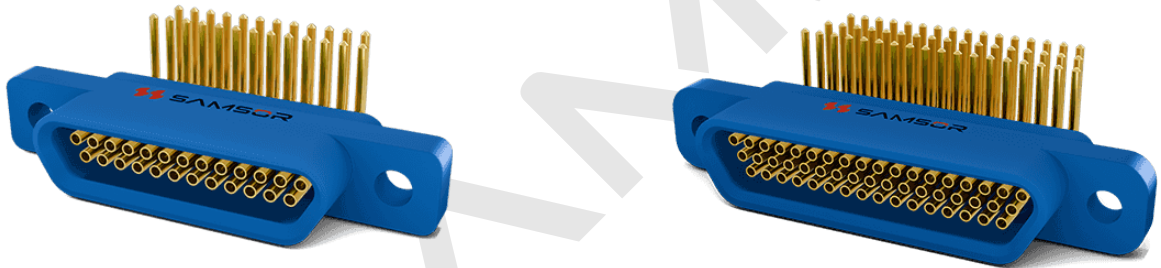
Contact Layout: 9、15、21、25、31、37、51

Contact Type: ZK - Receptacle with Socket

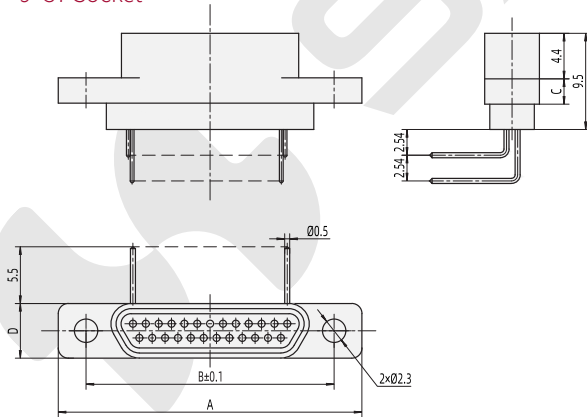
Termination Type: W - Right Angle PCB

Hardware Type: Y - No Hardware      P7 - Right Angle PCB Hardware

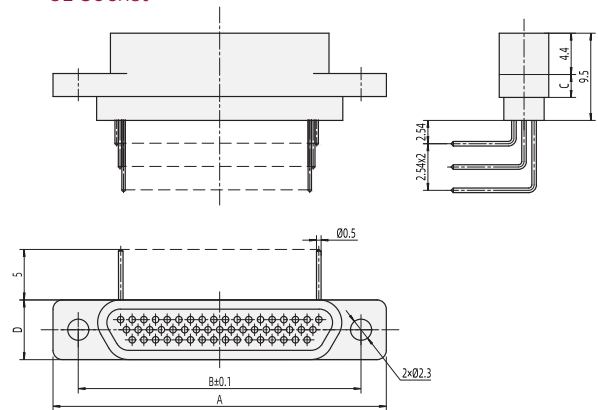
Modified Style: “-J” - The grid pitch of the terminal pins at the rear of the printed circuit board connector has been changed to 1.27×2.54 mm(Column×Row)



9~37 Socket



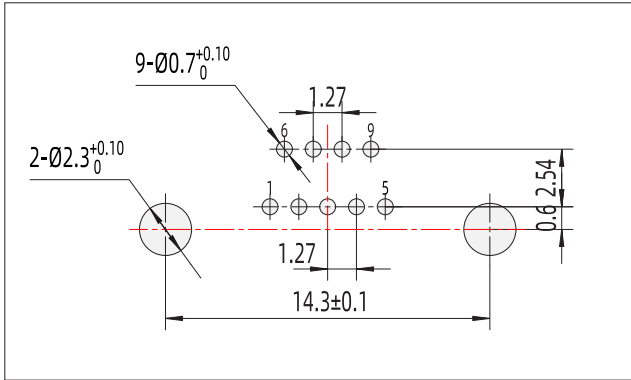
51 Socket



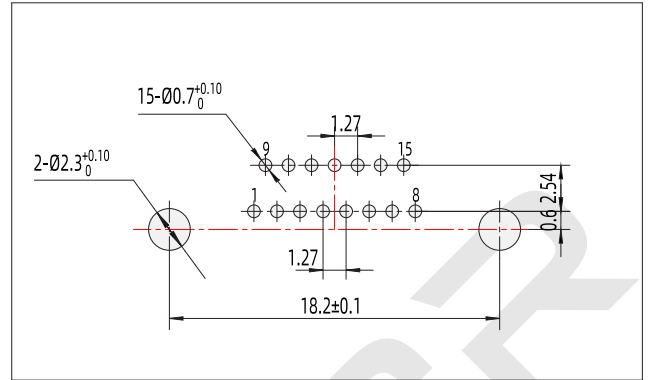
Type	J30-9ZKW-J	J30-15ZKW-J	J30-21ZKW-J	J30-25ZKW-J	J30-31ZKW-J	J30-37ZKW-J	J30-51ZKW-J
A	19.8	23.6	27.5	30	33.7	37.5	36.3
B	14.3	18.2	22	24.5	28.3	32.2	30.8
C	2.5	2.5	2.5	2.5	2.5	2.5	2.3
D	5.4	5.4	5.4	5.4	5.4	5.4	6.5

**J30-xZKW-J Receptacle PCB Cutout Dimensions(Grid Spacing 1.27×2.54)**

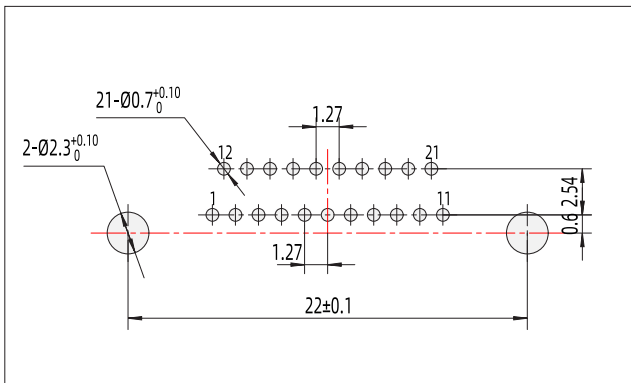
Connector-to-PCB Orientation View



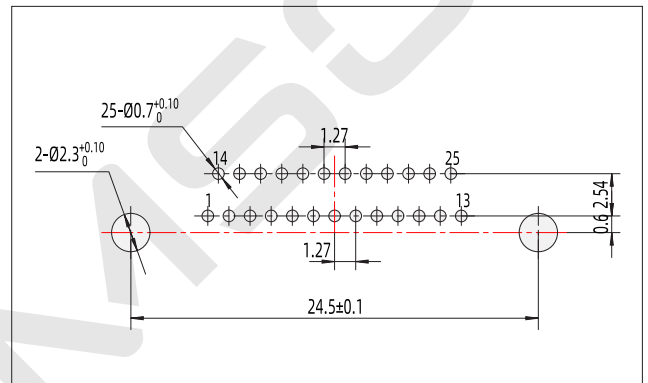
J30-9ZKW-J



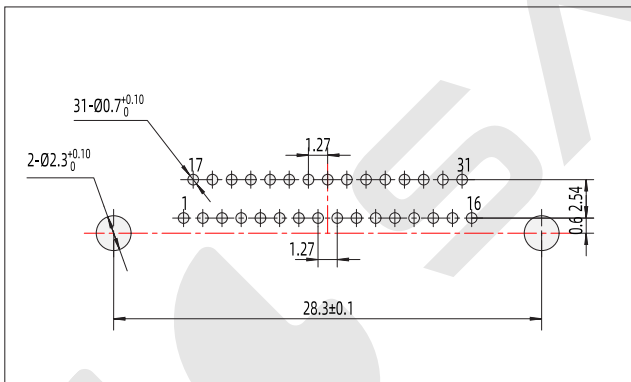
J30-15ZKW-J



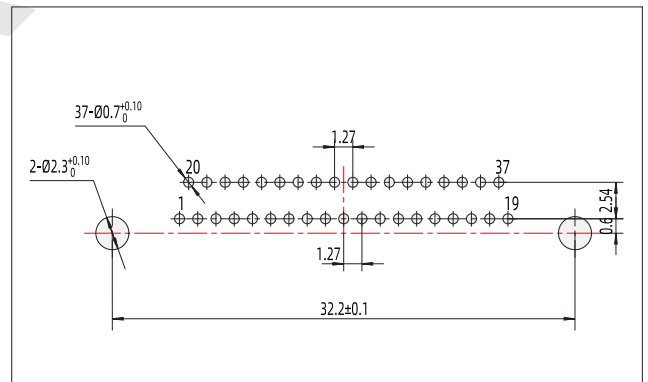
J30-21ZKW-J



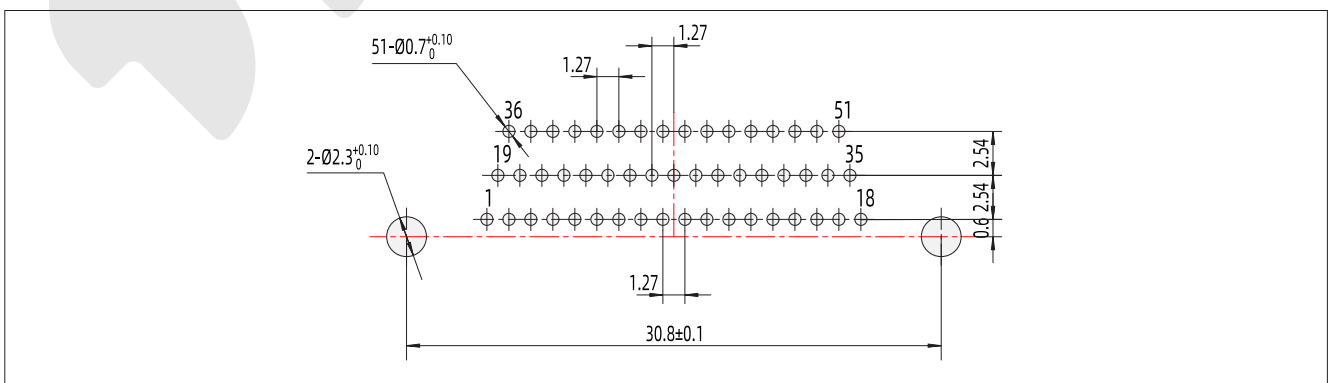
J30-25ZKW-J



J30-31ZKW-J



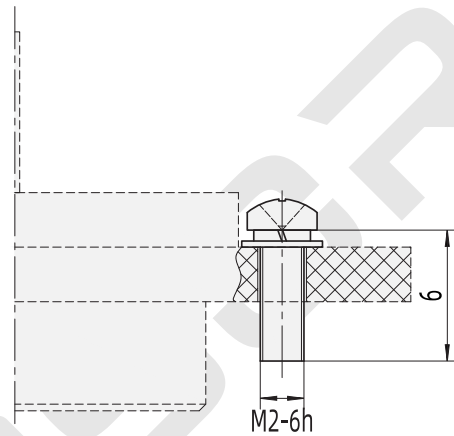
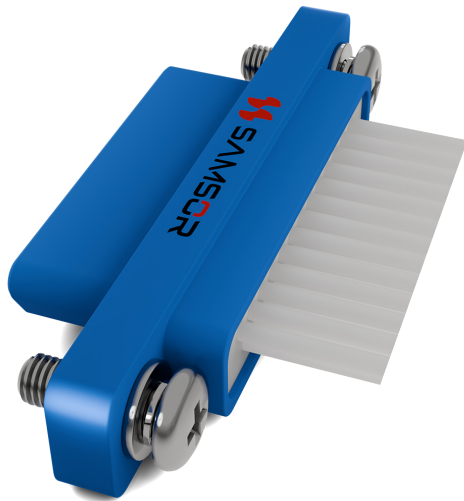
J30-37ZKW-J



J30-51ZKW-J

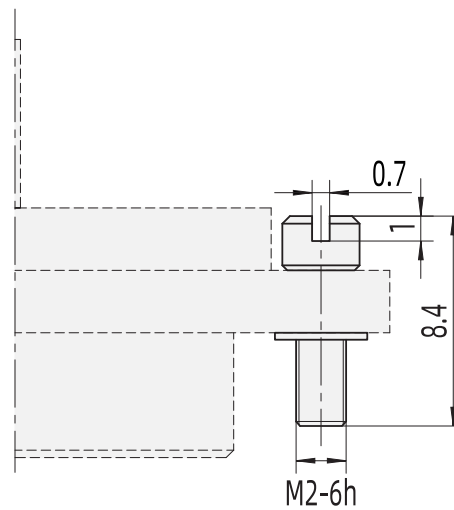
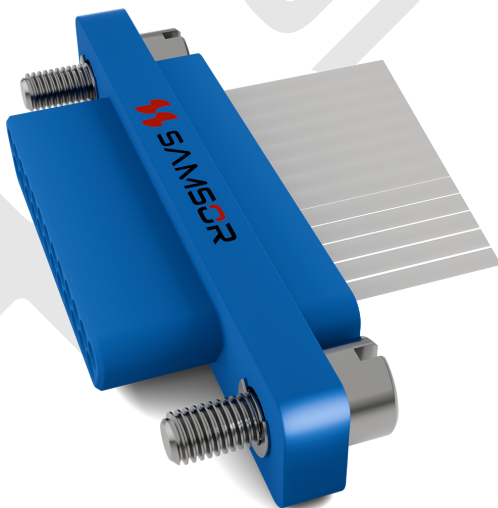
Hardware - Free End

L



Component Identifier	Instructions
L	Standard M2x6 Phillips Jackscrew, Flat Washer and Spring Washer

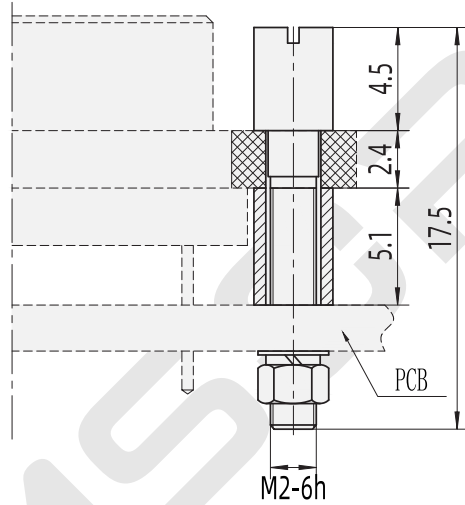
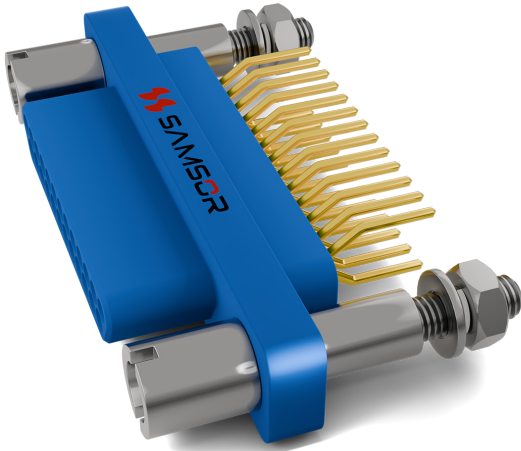
LA



Component Identifier	Instructions
L	M2 slotted Head Jackscrew, E-type Snap Ring

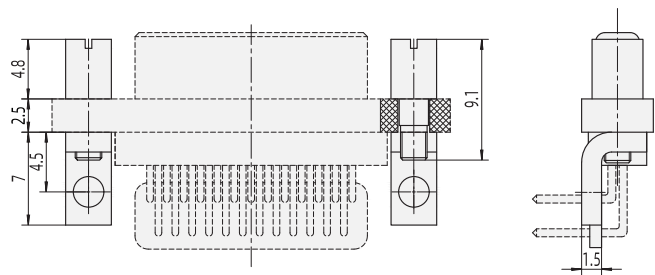
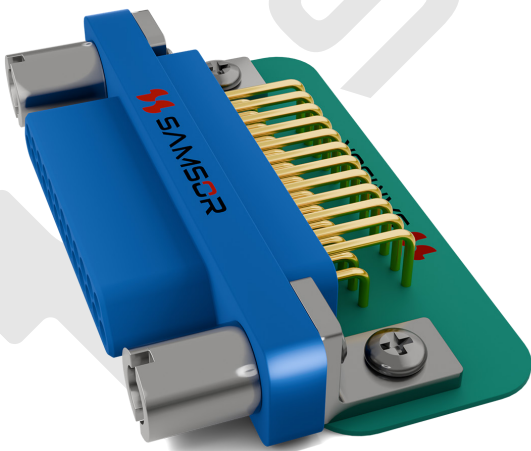
**Hardware - Fixed End**

P5



Component Identifier	Instructions
P5	Vertical PCB Hardware

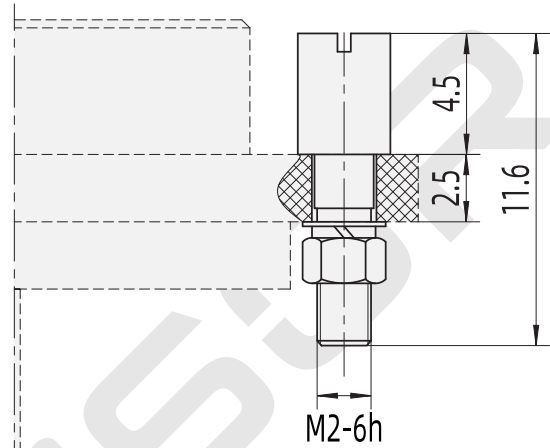
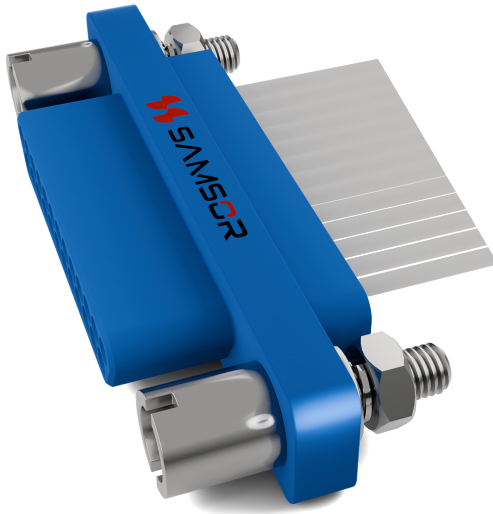
P7



Component Identifier	Instructions
P7	Right-Angle PCB Hardware

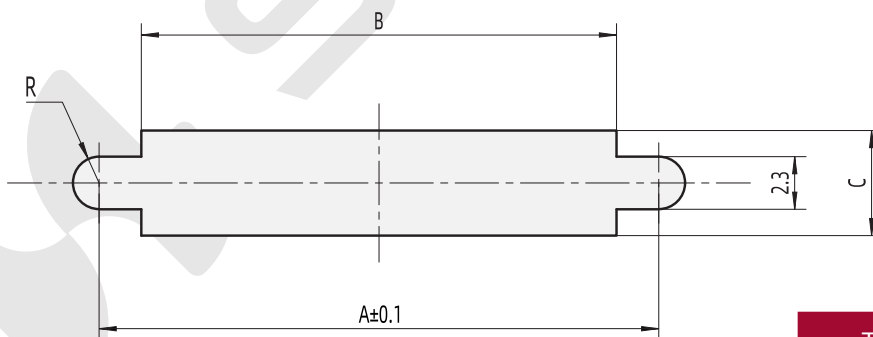
## Hardware - Fixed End

P



Component Identifier	Instructions
P	Front Panel Mount Hardware

## Panel Cutout Dimensions - Front Panel Mount



Type	A	B	C
J30-9	14.3	10.1	4.6
J30-15	18.2	14.2	4.6
J30-21	22.0	17.9	4.6
J30-25	24.5	20.8	4.6
J30-31	28.3	24.2	4.6
J30-37	32.2	28.2	4.6
J30-51	33.5	26.9	5.9