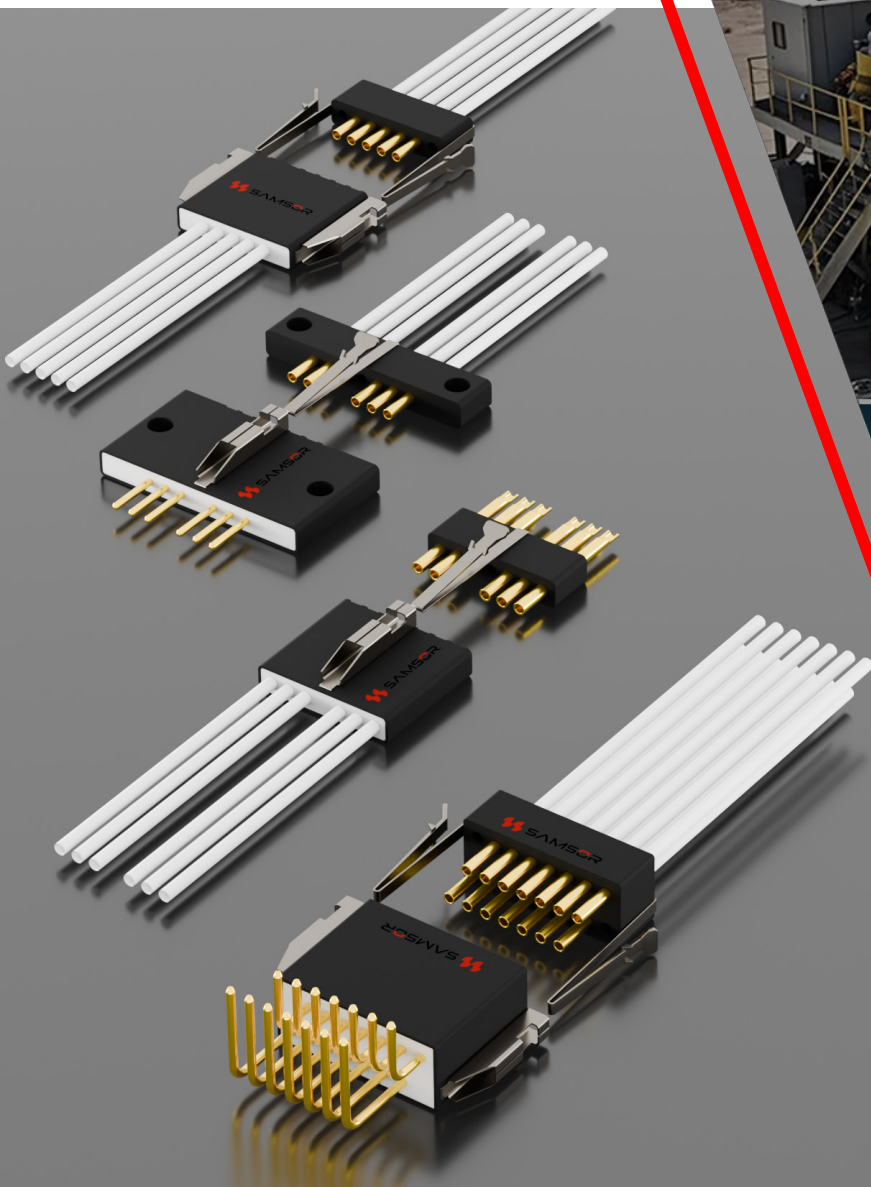


J103 Series

Micro-Strip Connector



Product Selection Guide

J103 Standard Series			
			
3 J103	7 J103K	11 J103B	15 J103D

Features

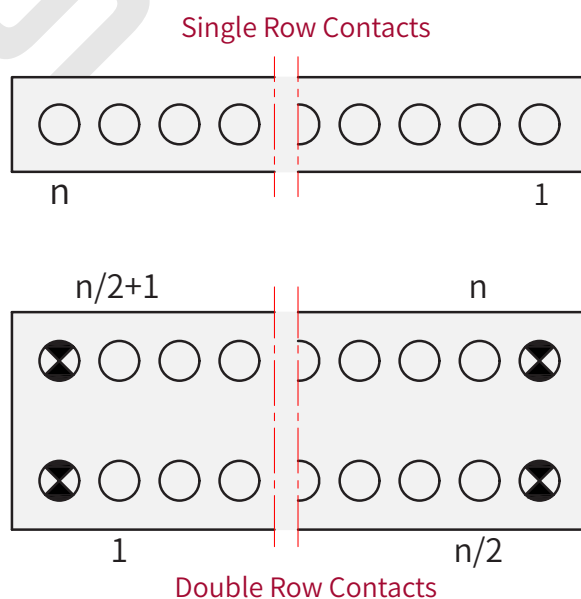
Number of Contacts: Available in 17 configurations with 2, 3, 4, 5, 6, 7, 8……16, 17, 18 pins
Adopts stranded-wire elastic contact pins (TwistPin), featuring a compact external size
The insulator is made of PPS material, offering excellent environmental resistance
The conductor cross-sectional area ranges from 0.1 mm ² to 0.15 mm ²
The hardware of this series products features a latch-lock mechanism. Mis-mating prevention can be achieved by installing the locking accessories in different pin positions

Performance Specifications

Operating Temperature	-55°C ~ +125°C
Vibration	10Hz ~ 2000Hz 147m/s ²
Shock	735m/s ² 11ms
Rated Current	3A
Contact Resistance	≤ 10mΩ
Insulation Resistance	≥ 5000MΩ
Dielectric Withstand Voltage	600V
Durability	500 times

Contact Arrangement

Face View Pin Connector



How to order

J103	-	x	x	x	SYx	(Note)
------	---	---	---	---	-----	--------

Series: J103、J103K、J103B、J103D

Contact Layout: 2, 3, 4, 5, 6, 7, 8, 9, 10, 11, 12, 13, 14, 15, 16, 17, 18 etc.

Contact Type: TJ - Plug with Pin ZK - Receptacle with Socket

Termination Type: Omit - Pre-wired N - Vertical PCB W - Right Angle PCB H - Solder Cup

Hardware Mounting Positions:

- S1 - Located near the end holes of row 1
- S2 - Located near the end holes of the other row
- S3 - Located near the 1st and last holes
- S4 - Located near the last hole of row 1 and the first hole of the other row

Note: Wire Requirements for Pre-wired Product

If not specified, the default configuration is L=250mm, AFR250-0.12mm²-250V, white color

If crimped cables are required, please specify the wire cross-sectional area, length, and color, etc. For complex wiring relationships, please provide a wiring table

Note Examples:

J103-8TJSY5 (AFR—250—0.12mm², L=200mm)

The above marking indicates a single-row side-locking plug electrical connector with crimp termination, features 8 contacts (pin contacts) and locking accessory assembled at hole position #5

The required wire type is AFR-250, conductor cross-sectional area is 0.12mm², and a free wire length of no less than 200 mm

Pre-wired Plug

J103	-	6	TJ	SY
------	---	---	----	----



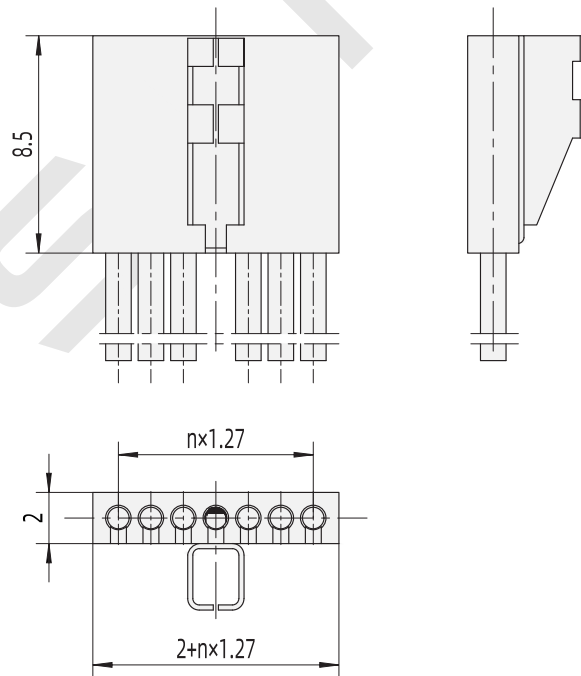
Series: J103

Contact Layout: 2, 3, 4, 5, 6, 7, 8, 9, 10, 11, 12, 13, 14, 15, 16, 17, 18 etc.

Contact Type: TJ - Plug with Pin

Hardware Mounting Positions:

J103-TJSY



Instructions

Product dimensions should be calculated based on the number of contacts "n" (n = 2, 3, 4, ..., 16, 17, 18)

Pre-wired Receptacle

J103	-	6	ZK	SY
------	---	---	----	----



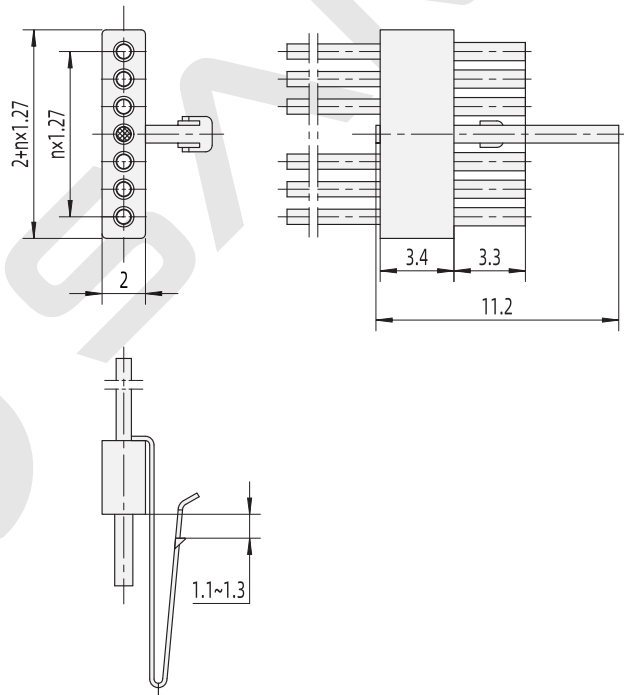
Series: J103

Contact Layout: 2, 3, 4, 5, 6, 7, 8, 9, 10, 11, 12, 13, 14, 15, 16, 17, 18 etc.

Contact Type: ZK - Receptacle with Socket

Hardware Mounting Positions:

J103-ZKSY



Instructions

Product dimensions should be calculated based on the number of contacts "n" (n = 2, 3, 4, ..., 16, 17, 18)

Vertical PCB Plug

J103	-	6	TJ	N	SY



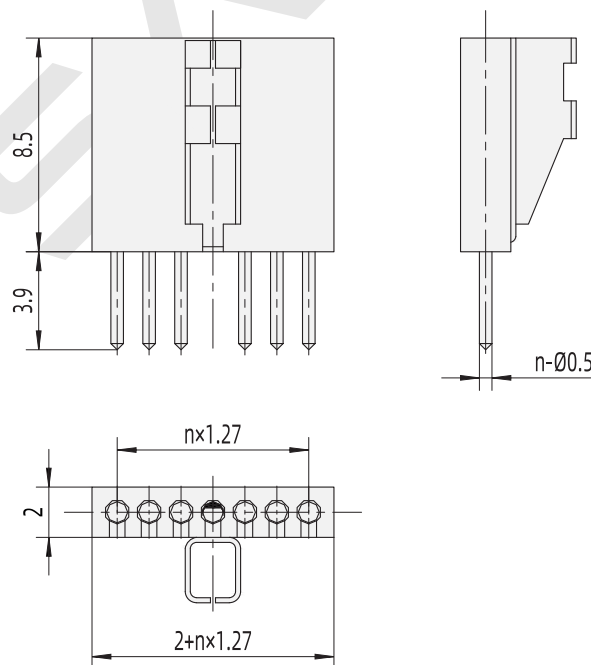
Series: J103

Contact Layout: 2, 3, 4, 5, 6, 7, 8, 9, 10, 11, 12, 13, 14, 15, 16, 17, 18 etc.

Contact Type: TJ - Plug with Pin

Termination Type: N - Vertical PCB

Hardware Mounting Positions:

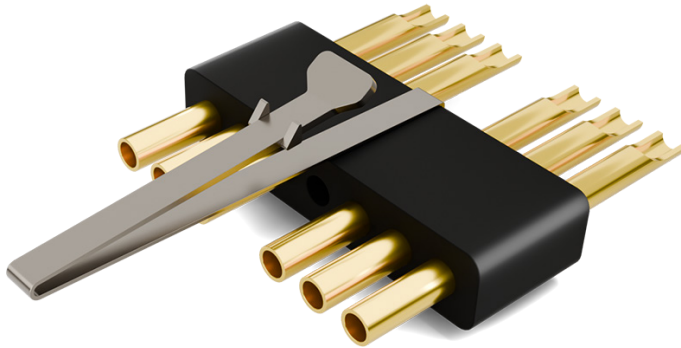


Instructions

Product dimensions should be calculated based on the number of contacts "n" (n = 2, 3, 4, ..., 16, 17, 18)

Solder Cup Receptacle

J103	-	6	ZK	H	SY
------	---	---	----	---	----



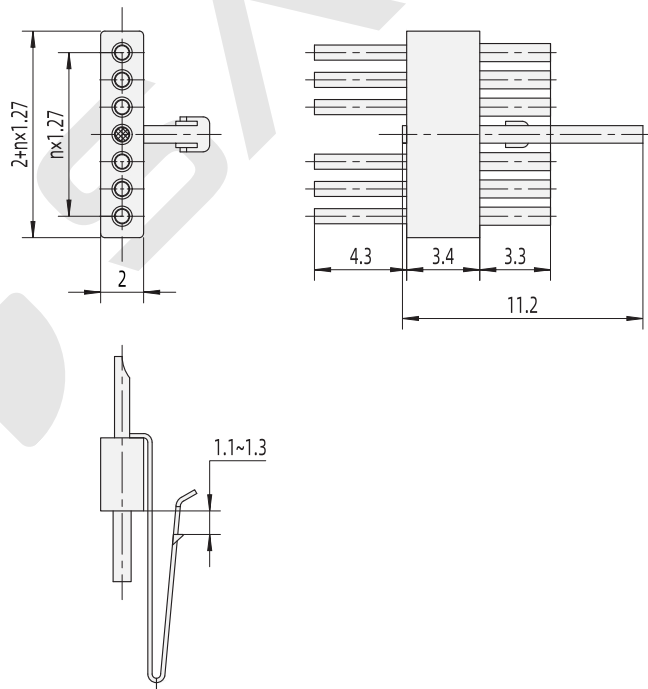
Series: J103

Contact Layout: 2, 3, 4, 5, 6, 7, 8, 9, 10, 11, 12, 13, 14, 15, 16, 17, 18 etc.

Contact Type: ZK - Receptacle with Socket

Termination Type: H - Solder Cup

Hardware Mounting Positions:

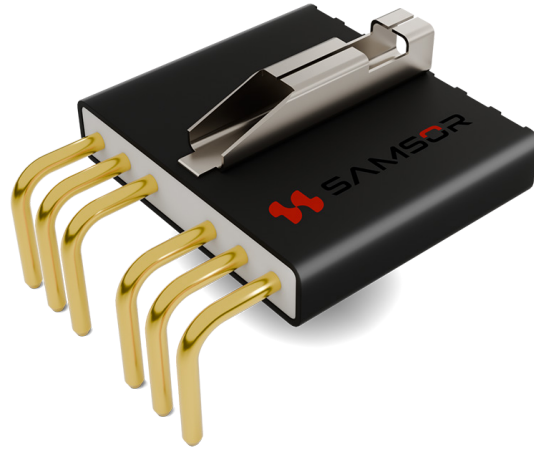


Instructions

Product dimensions should be calculated based on the number of contacts "n" (n = 2, 3, 4, ..., 16, 17, 18)

Right Angle PCB Plug

J103	-	6	TJ	W	SY
------	---	---	----	---	----



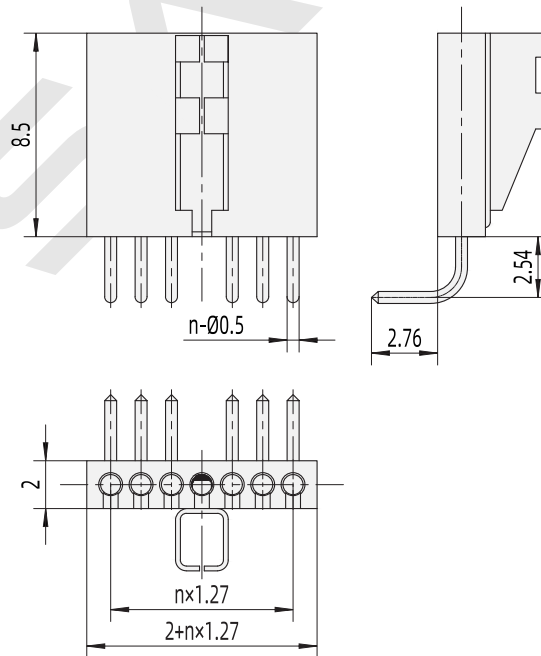
Series: J103

Contact Layout: 2, 3, 4, 5, 6, 7, 8, 9, 10, 11, 12, 13, 14, 15, 16, 17, 18 etc.

Contact Type: TJ - Plug with Pin

Termination Type: W - Right Angle PCB

Hardware Mounting Positions:



Instructions

Product dimensions should be calculated based on the number of contacts "n" (n = 2, 3, 4, ..., 16, 17, 18)

Pre-wired Plug/Receptacle

J103K	-	6	TJ/ZK	SY
-------	---	---	-------	----



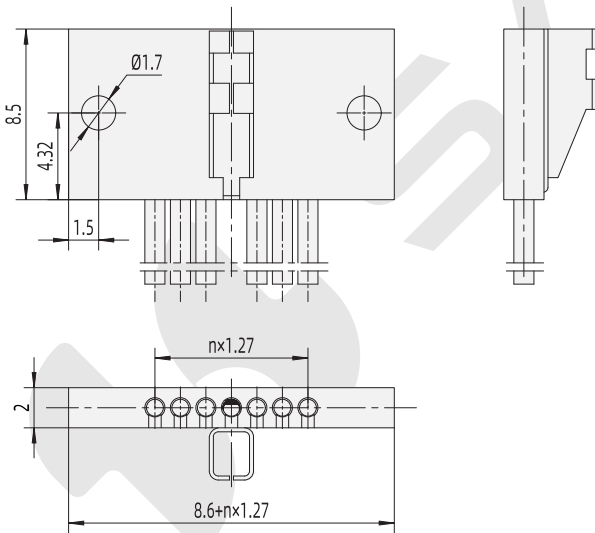
Series: J103K

Contact Layout: 2, 3, 4, 5, 6, 7, 8, 9, 10, 11, 12, 13, 14, 15, 16, 17, 18 etc.

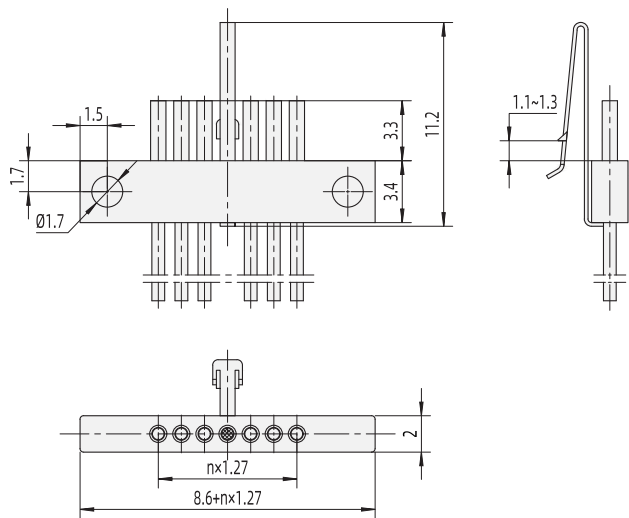
Contact Type: TJ - Plug with Pin ZK - Receptacle with Socket

Hardware Mounting Positions:

J103K-TJSY



J103K-ZKSY



Instructions

Product dimensions should be calculated based on the number of contacts "n" (n = 2, 3, 4, ..., 16, 17, 18)

Vertical PCB Plug

J103K	-	6	TJ	N	SY
-------	---	---	----	---	----



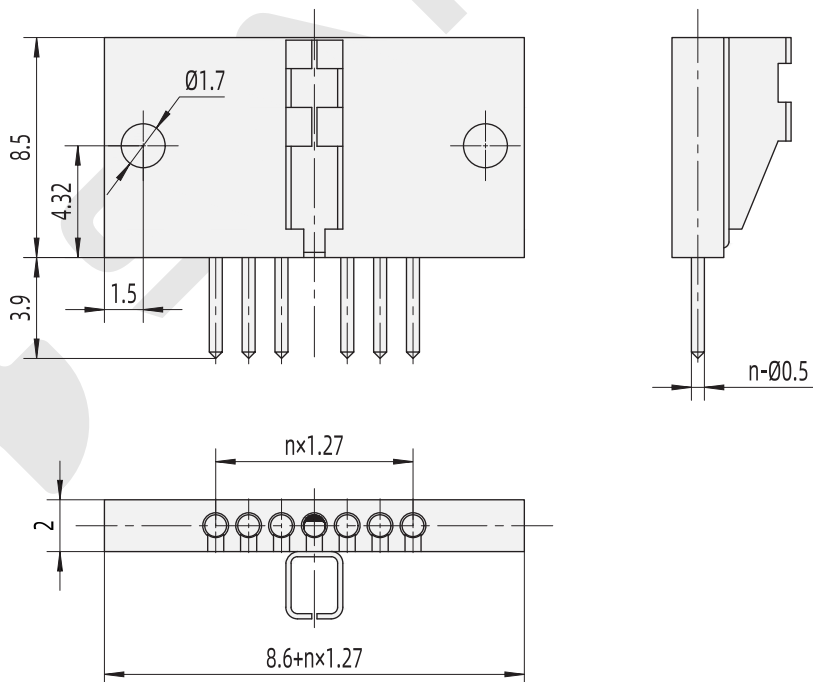
Series: J103K

Contact Layout: 2, 3, 4, 5, 6, 7, 8, 9, 10, 11, 12, 13, 14, 15, 16, 17, 18 etc.

Contact Type: TJ - Plug with Pin

Termination Type: N - Vertical PCB

Hardware Mounting Positions:

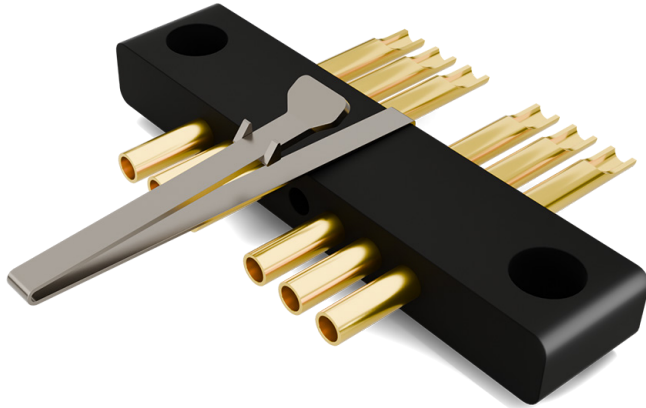


Instructions

Product dimensions should be calculated based on the number of contacts "n" (n = 2, 3, 4, ..., 16, 17, 18)

Solder Cup Receptacle

J103K	-	6	ZK	H	SY
-------	---	---	----	---	----



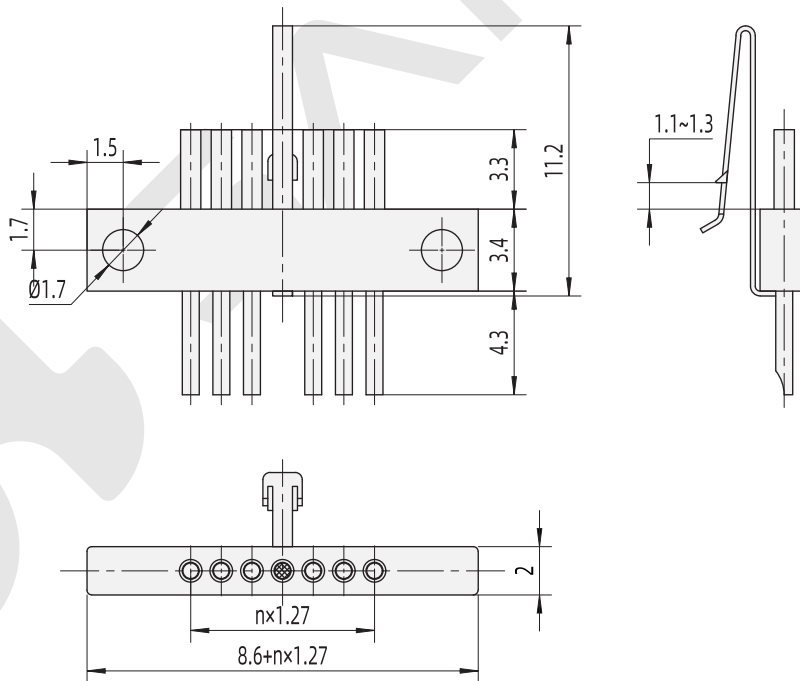
Series: J103K

Contact Layout: 2, 3, 4, 5, 6, 7, 8, 9, 10, 11, 12, 13, 14, 15, 16, 17, 18 etc.

Contact Type: ZK - Receptacle with Socket

Termination Type: H - Solder Cup

Hardware Mounting Positions:



Instructions

Product dimensions should be calculated based on the number of contacts "n" (n = 2, 3, 4, ..., 16, 17, 18)

Right Angle PCB Plug

J103K	-	6	TJ	W	SY
-------	---	---	----	---	----



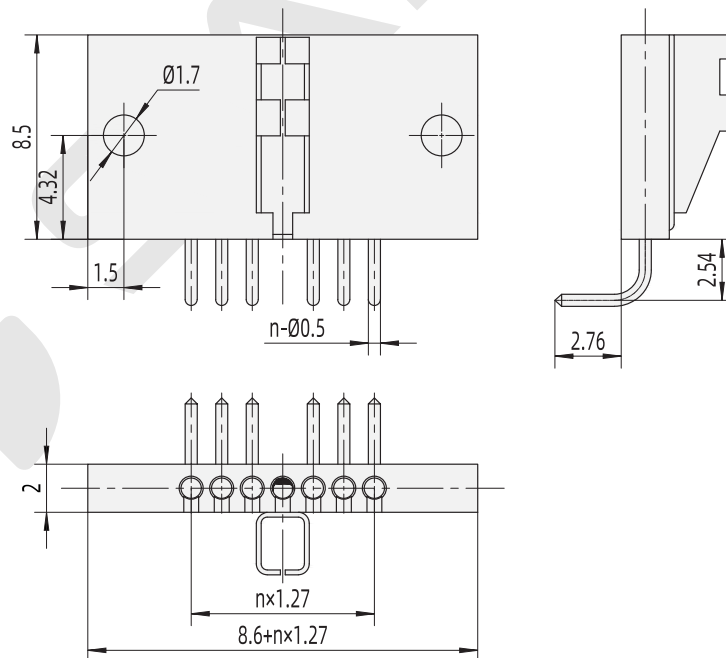
Series: J103K

Contact Layout: 2, 3, 4, 5, 6, 7, 8, 9, 10, 11, 12, 13, 14, 15, 16, 17, 18 etc.

Contact Type: TJ - Plug with Pin

Termination Type: W - Right Angle PCB

Hardware Mounting Positions:

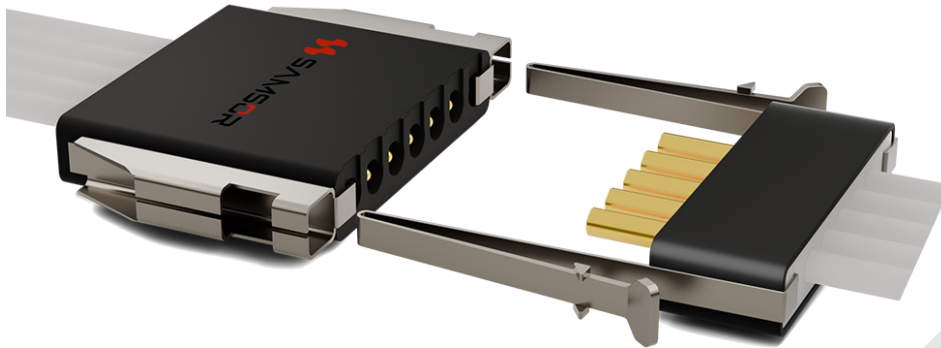


Instructions

Product dimensions should be calculated based on the number of contacts "n" (n = 2, 3, 4, ..., 16, 17, 18)

Pre-wired Plug/Receptacle

J103B	-	6	TJ/ZK	S
-------	---	---	-------	---



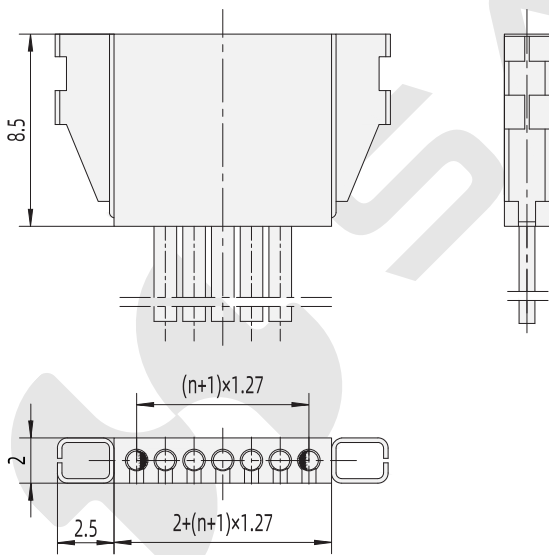
Series: J103B

Contact Layout: 2, 3, 4, 5, 6, 7, 8, 9, 10, 11, 12, 13, 14, 15, 16, 17, 18 etc.

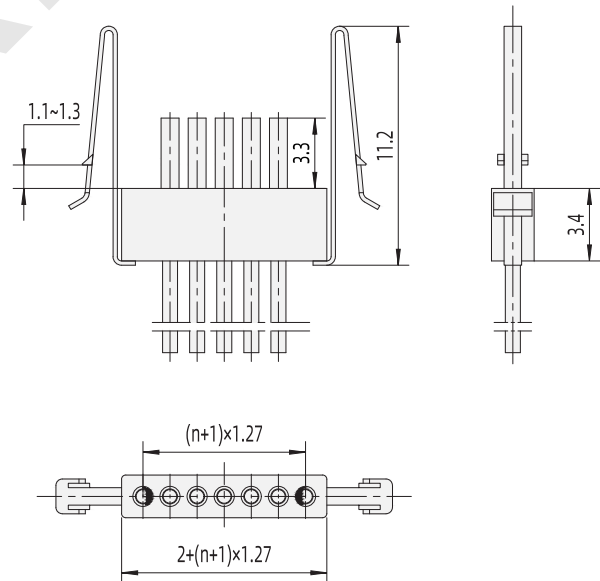
Contact Type: TJ - Plug with Pin ZK - Receptacle with Socket

Hardware Mounting Positions:

J103B-TJSY



J103B-ZKSY



Instructions

Product dimensions should be calculated based on the number of contacts "n" (n = 2, 3, 4, ..., 16, 17, 18)

Vertical PCB Plug

J103B	-	6	TJ	N	S
-------	---	---	----	---	---



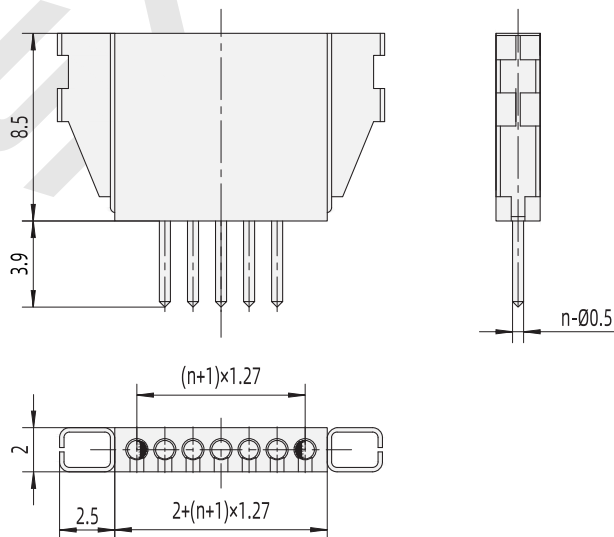
Series: J103B

Contact Layout: 2, 3, 4, 5, 6, 7, 8, 9, 10, 11, 12, 13, 14, 15, 16, 17, 18 etc.

Contact Type: TJ - Plug with Pin

Termination Type: N - Vertical PCB

Hardware Mounting Positions:

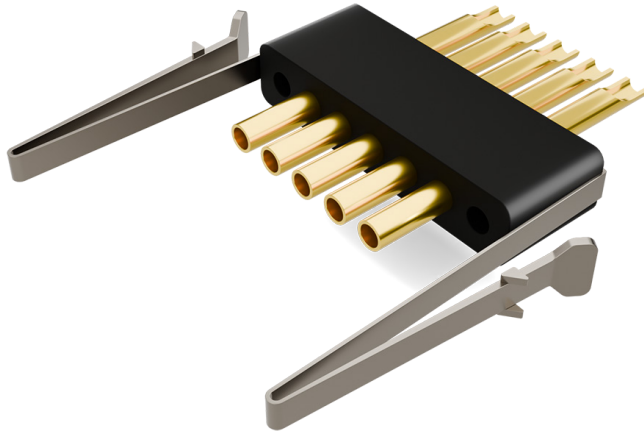


Instructions

Product dimensions should be calculated based on the number of contacts "n" (n = 2, 3, 4, ..., 16, 17, 18)

Solder Cup Receptacle

J103B	-	6	ZK	H	S
-------	---	---	----	---	---



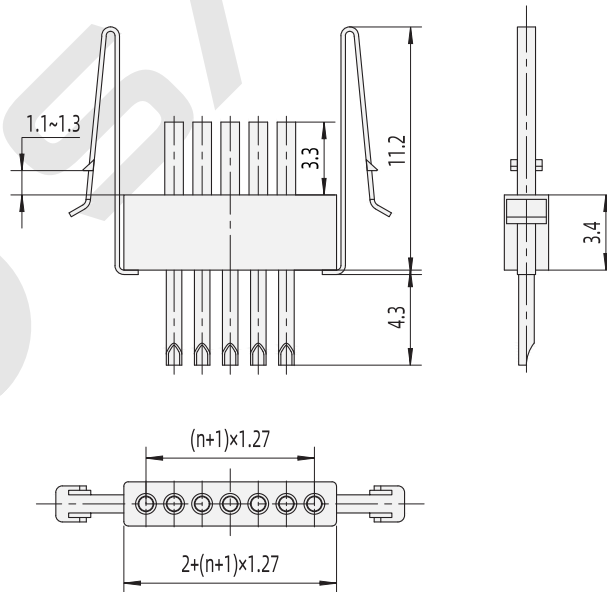
Series: J103B

Contact Layout: 2, 3, 4, 5, 6, 7, 8, 9, 10, 11, 12, 13, 14, 15, 16, 17, 18 etc.

Contact Type: ZK - Receptacle with Socket

Termination Type: H - Solder Cup

Hardware Mounting Positions:



Instructions

Product dimensions should be calculated based on the number of contacts "n" (n = 2, 3, 4, ..., 16, 17, 18)

Right Angle PCB Plug

J103B	-	6	TJ	W	SY
-------	---	---	----	---	----



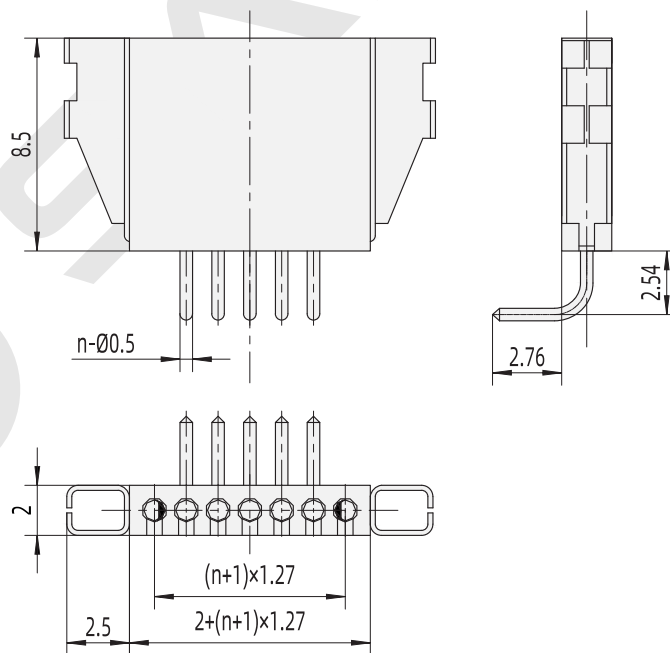
Series: J103B

Contact Layout: 2, 3, 4, 5, 6, 7, 8, 9, 10, 11, 12, 13, 14, 15, 16, 17, 18 etc.

Contact Type: TJ - Plug with Pin

Termination Type: W - Right Angle PCB

Hardware Mounting Positions:

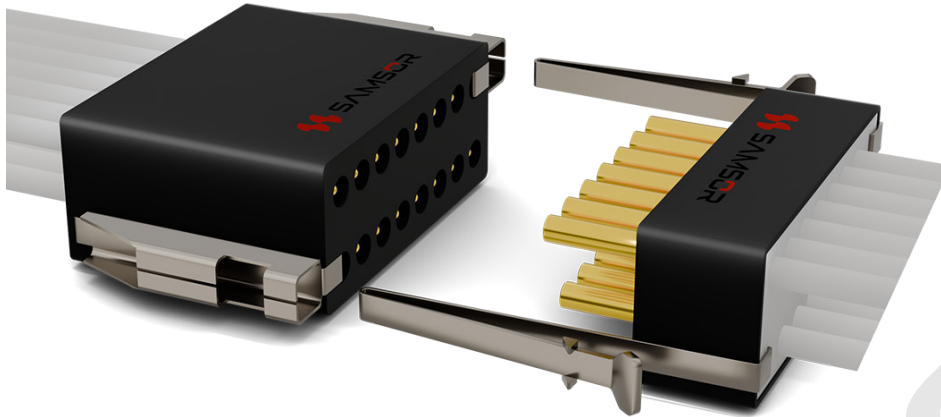


Instructions

Product dimensions should be calculated based on the number of contacts "n" (n = 2, 3, 4, ..., 16, 17, 18)

Pre-wired Plug/Receptacle

J103D	-	6	TJ/ZK	S
-------	---	---	-------	---



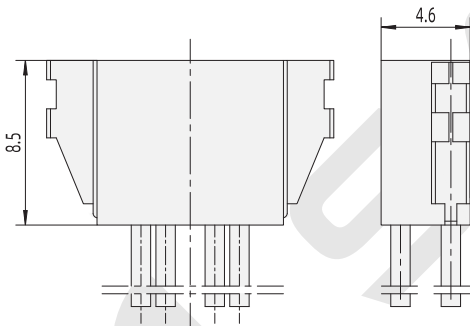
Series: J103D

Contact Layout: 16, 28, 38, 48, 52 etc.

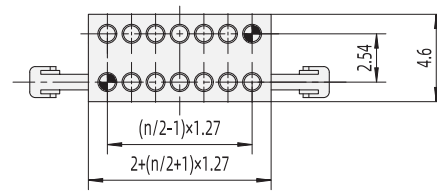
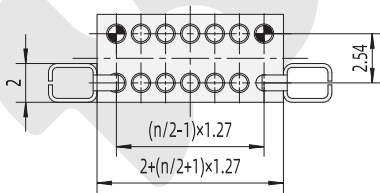
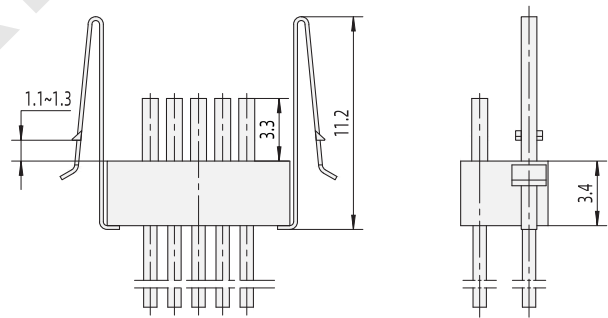
Contact Type: TJ - Plug with Pin ZK - Receptacle with Socket

Hardware Mounting Positions:

J103D-TJSY



J103D-ZKSY



Instructions

Product dimensions should be calculated based on the number of contacts "n" (n = 16, 28, 38, 48, 52)

Vertical PCB Plug

J103D	-	6	TJ	N	S
-------	---	---	----	---	---



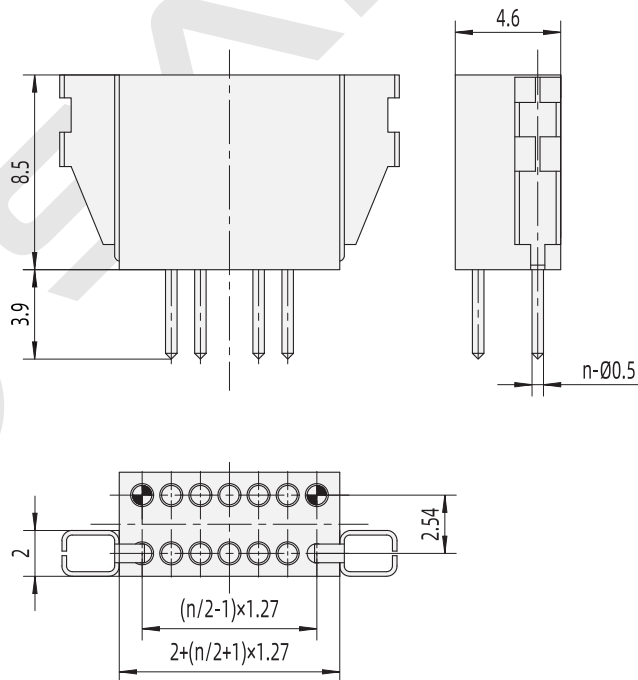
Series: J103D

Contact Layout: 16, 28, 38, 48, 52 etc.

Contact Type: TJ - Plug with Pin

Termination Type: N - Vertical PCB

Hardware Mounting Positions:

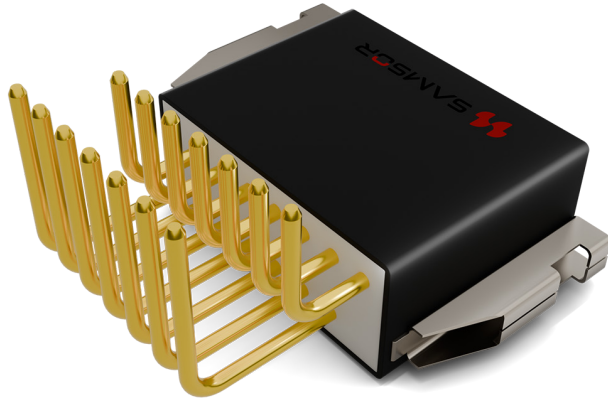


Instructions

Product dimensions should be calculated based on the number of contacts "n" (n = 16, 28, 38, 48, 52)

Right Angle PCB Plug

J103D	-	6	TJ	W	SY
-------	---	---	----	---	----



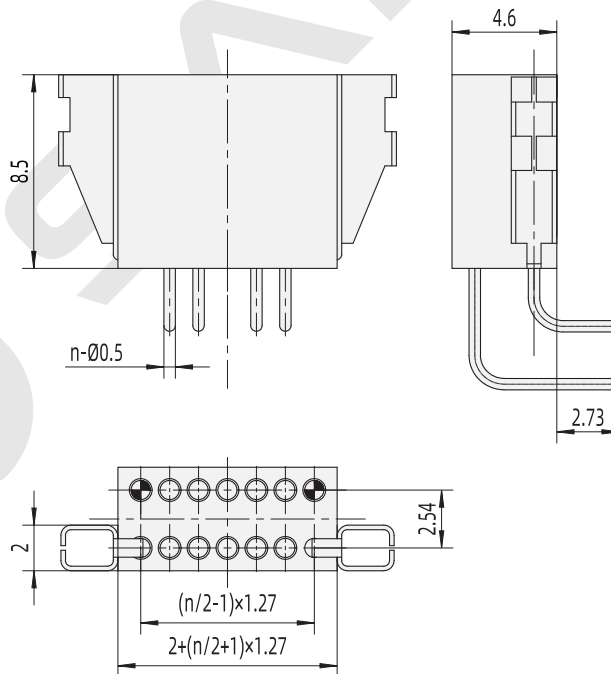
Series: J103D

Contact Layout: 16, 28, 38, 48, 52 etc.

Contact Type: TJ - Plug with Pin

Termination Type: W - Right Angle PCB

Hardware Mounting Positions:



Instructions

Product dimensions should be calculated based on the number of contacts "n" (n = 16, 28, 38, 48, 52)