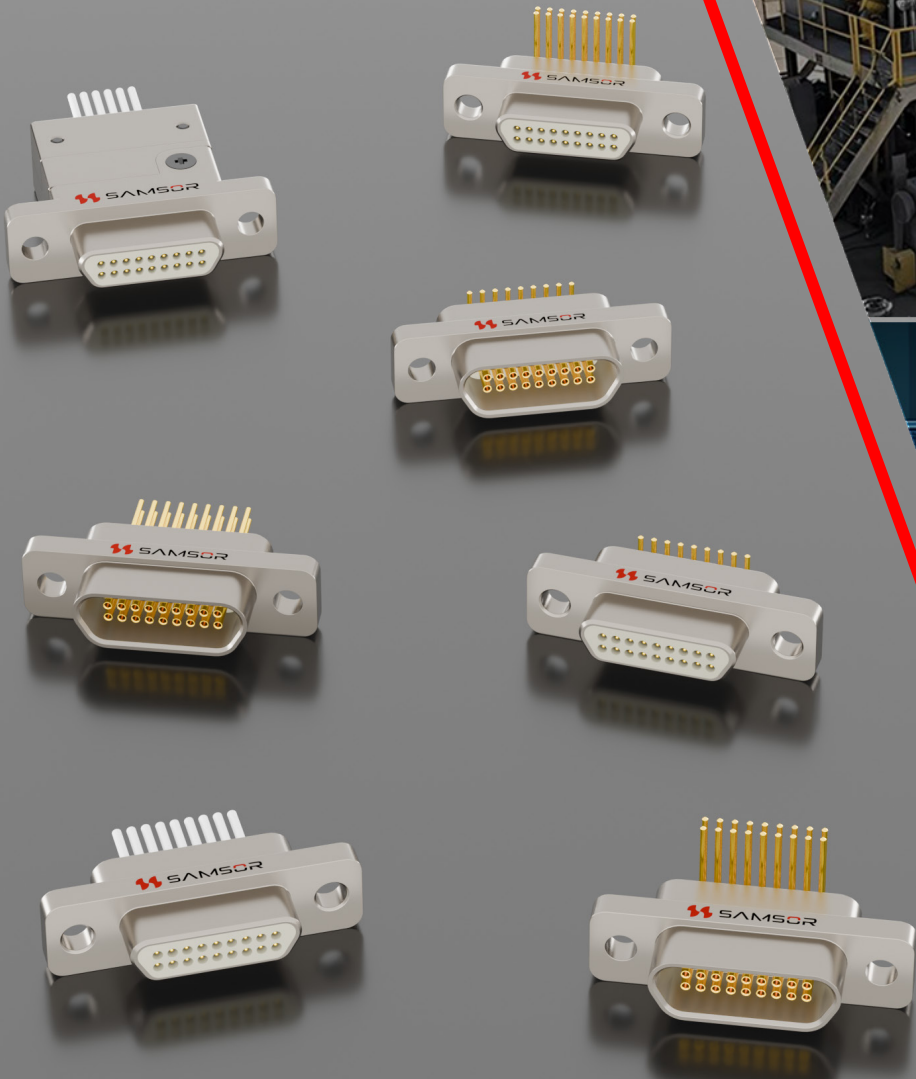





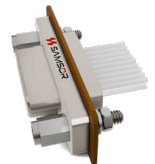









HJ30J High-Speed Micro-D Connector



Product Selection Guide

HJ30J Standard Series					
					
5		7		9	
HJ30J-TJ/ZK Pre-wired		HJ30J-TJ/ZK-A Pre-wired		HJ30J-TJN/ZKN	
					
13		17			
HJ30J-TJ/ZKNB-J		HJ30J-TJW/ZKW			

HJ30J Accessory Styles					
					
21	21	22	22	23	
L, L8	L20, L21	L22	L7	K, K1	
					
23	24	24	25	25	
P, P1, P8	P0, P3, P4	P51, P85, P92	V22	P7	
					
26	26	27			
P2, P14	P58, P60	V1			

Features

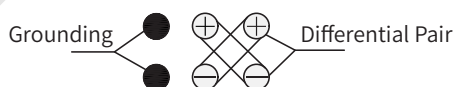
Number of Contacts: 12, 18, 24, 30, 36, 55 and 100 pins
Adopts stranded-wire elastic contact pins (TwistPin), high contact density
Features a metal shielding shell
Product complies with GJB2446A requirements
Implemented per enterprise standard: Q/SS 108-2017

Performance Specifications

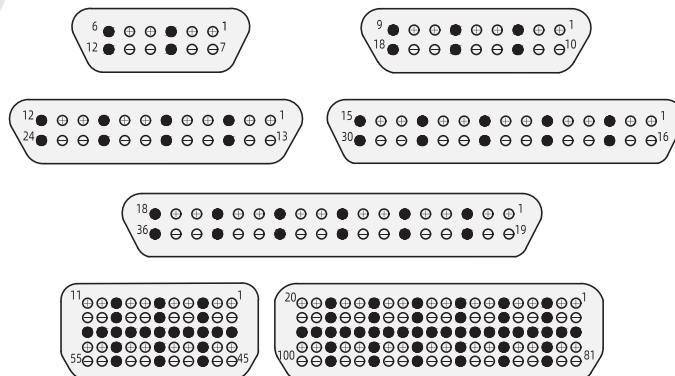
Operating Temperature	-55°C ~ +125°C
Vibration	10Hz ~ 2000Hz 196m/s ²
Random vibration	Power density 0.4G ² /Hz. The total acceleration-root-mean square is 23.1G
Shock	735m/s ² 11ms
Rated Current	3A
Contact Resistance	≤ 20mΩ
Insulation Resistance	≥ 5000MΩ
Dielectric Withstand Voltage	800V
Characteristic Impedance	100 ± 15Ω
Near - End Crosstalk	Not less than 30dB within 100ps
Transmission Performance	Transmission rate is 1.65Gbps
Durability	500 times

Contact Arrangement

Face View Pin Connector



For right-angle PCB products
PCB routing requires compensation



How to order

HJ30J	-	18	TJ/ZK	×	×	-×	(Note)
<p>Series: HJ30J</p> <p>Contact Layout: 12、18、24、30、36、55、100</p> <p>Contact Type: TJ - Plug with pin ZK - Receptacle with socket</p> <p>Termination Type: Omit - Pre-wired S - Solder Cup N、N5、N7、N8-Vertical PCB (Different pin lengths) W - Right-Angle PCB NB - Vertical Surface Mount (<i>SMT</i>)</p> <p>Hardware Type: Y - No Hardware For other styles, please refer to "J30J Series Hardware Accessories"for details</p> <p>Modification Code: Omit — Basic Type "-A" — A Type Backshell Accessory "-J" — PCB Pad Pitch: 1.27 (Only for Surface Mount Products)</p>							

Note: Wire Requirements for Pre-wired Product

By default, the wire length is 300mm,the colored wires in the Wiring Table (see the following table for details) are the core wires of high-temperature resistant tinned silver Cat5e network cables, used for transmitting differential signals; the white wires are ground wires. The ground wire specification is: Wire AFR-250-1*0.15 250V White. Each differential pair and its corresponding ground wire are bundled together using black heat-shrink tubing

If there are other requirements, specify as follows: Wire length (from the rear exit point, unit: mm), Shielding braid (P-Lightweight Shielding Braid), Nylon braid sleeve (F - Military Green Nylon Braid Sleeve), Wire grade (by default, this product uses high-temperature resistant tinned silver Cat5e network cable core wires for differential pairs, and AFR250-0.15 white wires for ground wires; other requirements can be specified if applicable. Remarks do not appear on product markings. This is only a requirement for wires when ordering pre-wired products.For additional wiring definitions or requirements, please contact our engineers

Note Examples:

(L600PF)-Length 600mm, differential pairs use core wires of high-temperature resistant tinned silver Cat5e network cables, ground wires use AFR250-0.15 white wires; a black heat shrink tube is used to shrink one pair of differential signals and the corresponding ground wire into a single bundle; the entire assembly is covered with a shielding braid, and the shielding braid is covered with a nylon braid sleeve

(L300F)-Length 300mm, differential pairs use core wires of high-temperature resistant tinned silver Cat5e network cables, ground wires use AFR250-0.15 white wires; a black heat shrink tube is used to shrink one pair of differential signals and the corresponding ground wire into a single bundle; the entire assembly is covered with a nylon braid sleeve

(L500F)-Length 500mm, differential pairs use core wires of high-temperature resistant tinned silver Cat5e network cables, ground wires use AFR250-0.15 white wires; a black heat shrink tube is used to shrink one pair of differential signals and the corresponding ground wire into a single bundle; there is no shielding braid or sleeve outside the wire bundle

Wiring Table

HJ30J-12 Wiring Table

Harness ID	Wire Color	Pin Number	Harness ID	Wire Color	Pin Number
1#	Green	1	3#	Blue	4
	Green/White	8		Blue/White	11
	White	9		White	12
2#	Orange	7	4#	Brown	10
	Orange/White	2		Brown/White	5
	White	3		White	6

HJ30J-18 Wiring Table

Harness ID	Wire Color	Pin Number	Harness ID	Wire Color	Pin Number
1#	Green	1	4#	Brown	13
	Green/White	11		Brown/White	5
	White	12		White	6
2#	Orange	10	5#	Green	7
	Orange/White	2		Green/White	17
	White	3		White	18
3#	Blue	4	6#	Orange	16
	Blue/White	14		Orange/White	8
	White	15		White	9

HJ30J-30 Wiring Table

Harness ID	Wire Color	Pin Number	Harness ID	Wire Color	Pin Number
1#	Green	1	6#	Orange	22
	Green/White	17		Orange/White	8
	White	18		White	9
2#	Orange	16	7#	Blue	10
	Orange/White	2		Blue/White	26
	White	3		White	27
3#	Blue	4	8#	Brown	25
	Blue/White	20		Brown/White	11
	White	21		White	12
4#	Brown	19	9#	Green	13
	Brown/White	5		Green/White	29
	White	6		White	30
5#	Green	7	10#	Orange	28
	Green/White	23		Orange/White	14
	White	24		White	15

HJ30J-24 Wiring Table

Harness ID	Wire Color	Pin Number	Harness ID	Wire Color	Pin Number
1#	Green	1	5#	Green	7
	Green/White	14		Green/White	20
	White	15		White	21
2#	Orange	13	6#	Orange	19
	Orange/White	2		Orange/White	8
	White	3		White	9
3#	Blue	4	7#	Blue	10
	Blue/White	17		Blue/White	23
	White	18		White	24
4#	Brown	16	8#	Brown	22
	Brown/White	5		Brown/White	11
	White	6		White	12

HJ30J-36 Wiring Table

Harness ID	Wire Color	Pin Number	Harness ID	Wire Color	Pin Number	Harness ID	Wire Color	Pin Number	Harness ID	Wire Color	Pin Number
1#	Green	1	4#	Brown	22	7#	Blue	10	10#	Orange	31
	Green/White	20		Brown/White	5		Blue/White	29		Orange/White	14
	White	21		White	6		White	30		White	15
2#	Orange	19	5#	Green	7	8#	Brown	28	11#	Blue	16
	Orange/White	2		Green/White	26		Brown/White	11		Blue/White	35
	White	3		White	27		White	12		White	36
3#	Blue	4	6#	Orange	25	9#	Green	13	12#	Brown	34
	Blue/White	23		Orange/White	8		Green/White	32		Brown/White	17
	White	24		White	9		White	33		White	18

HJ30J-55 Wiring Table

Harness ID	Wire Color	Pin Number	Harness ID	Wire Color	Pin Number	Harness ID	Wire Color	Pin Number	Harness ID	Wire Color	Pin Number
1#	Green	1	5#	Green	7	9#	Green	34	13#	Green	40
	Green/White	13		Green/White	19		Green/White	46		Green/White	52
	White	14		White	20		White	23		White	39
2#	Orange	2	6#	Orange	8	10#	Orange	35	14#	Orange	41
	Orange/White	12		Orange/White	18		Orange/White	45		Orange/White	51
	White	3		White	9		White	24		White	50
3#	Blue	4	7#	Blue	10	11#	Blue	37	15#	Blue	43
	Blue/White	16		Blue/White	22		Blue/White	49		Blue/White	55
	White	17		White	33		White	36		White	42
4#	Brown	5	8#	Brown	11	12#	Brown	38	16#	Brown	44
	Brown/White	15		Brown/White	21		Brown/White	48		Brown/White	54
	White	6		White	32		White	47		White	53

Each of the remaining pin positions is connected to one AFR-250-1 * 0.15 250V white wire

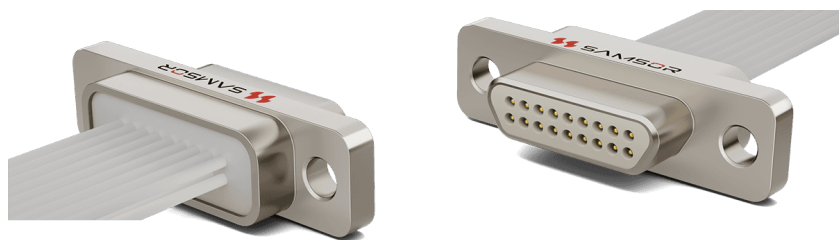
HJ30J-100 Wiring Table

Harness ID	Wire Color	Pin Number	Harness ID	Wire Color	Pin Number	Harness ID	Wire Color	Pin Number	Harness ID	Wire Color	Pin Number
1#	Green	1	8#	Brown	11	15#	Blue	61	22#	Orange	71
	Green/White	22		Brown/White	30		Blue/White	82		Orange/White	90
	White	23		White	12		White	41		White	89
2#	Orange	2	9#	Green	13	16#	Brown	62	23#	Blue	73
	Orange/White	21		Green/White	34		Brown/White	81		Blue/White	94
	White	3		White	35		White	42		White	72
3#	Blue	4	10#	Orange	14	17#	Green	64	24#	Brown	74
	Blue/White	25		Orange/White	33		Green/White	85		Brown/White	93
	White	26		White	15		White	63		White	92
4#	Brown	5	11#	Blue	16	18#	Orange	65	25#	Green	76
	Brown/White	24		Blue/White	37		Orange/White	84		Green/White	97
	White	6		White	38		White	83		White	75
5#	Green	7	12#	Brown	17	19#	Blue	67	26#	Orange	77
	Green/White	28		Brown/White	36		Blue/White	88		Orange/White	96
	White	29		White	18		White	66		White	95
6#	Orange	8	13#	Green	19	20#	Brown	68	27#	Blue	79
	Orange/White	27		Green/White	40		Brown/White	87		Blue/White	100
	White	9		White	60		White	86		White	78
7#	Blue	10	14#	Orange	20	21#	Green	70	28#	Brown	80
	Blue/White	31		Orange/White	39		Green/White	91		Brown/White	99
	White	32		White	59		White	69		White	98

Each of the remaining pin positions is connected to one AFR-250-1 * 0.15 250V white wire

Pre-wired-Plug

HJ30J	-	18	TJ	×	(Note)
-------	---	----	----	---	--------



Series: HJ30J

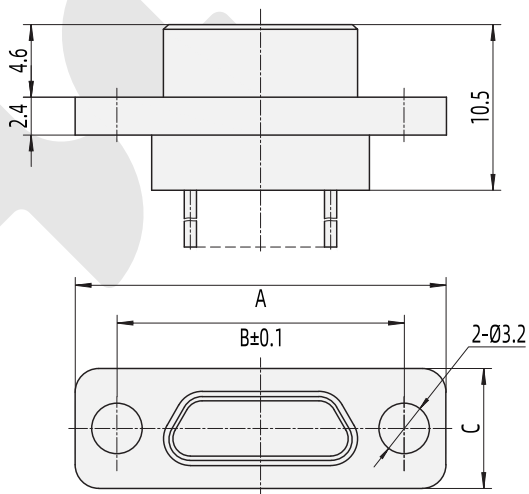
Contact Layout: 12、18、24、30、36、55、100

Contact Type: TJ - Plug with Pin

Hardware Type: Y - No Hardware

For other styles, please refer to "HJ30J Series Hardware Accessories" for details

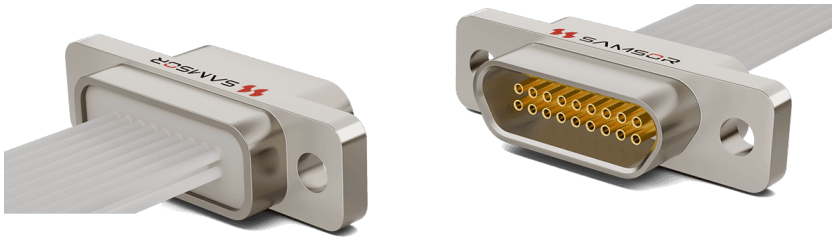
Note: For wire configuration, please refer to the notes in the "Model Naming" and wiring table section



Type	A	B	C
HJ30J-12TJ	23.5	18.2	7.6
HJ30J-18TJ	27.4	21.97	7.6
HJ30J-24TJ	29.84	24.51	7.6
HJ30J-30TJ	33.66	28.32	7.6
HJ30J-36TJ	37.46	32.13	7.6
HJ30J-55TJ	33.1	27.4	11.8
HJ30J-100TJ	44.5	38.8	11.8

Pre-wired - Receptacle

HJ30J	-	18	ZK	X	(Note)
-------	---	----	----	---	--------



Series: HJ30J

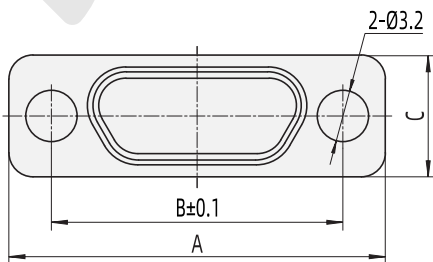
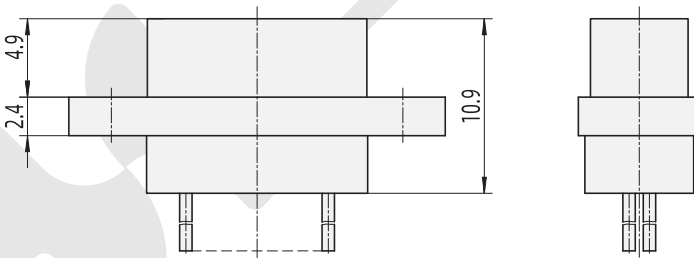
Contact Layout: 12、18、24、30、36、55、100

Contact Type: ZK - Receptacle with Socket

Hardware Type: Y - No Hardware

For other styles, please refer to "HJ30J Series Hardware Accessories" for details

Note: For wire configuration, please refer to the notes in the "Model Naming" and wiring table section



Type	A	B	C
HJ30J-12ZK	23.5	18.2	7.6
HJ30J-18ZK	27.4	21.97	7.6
HJ30J-24ZK	29.84	24.51	7.6
HJ30J-30ZK	33.66	28.32	7.6
HJ30J-36ZK	37.46	32.13	7.6
HJ30J-55ZK	33.1	27.4	11.8
HJ30J-100ZK	44.5	38.8	11.8

HJ30J Series

Pre-wired-Plug with Backshell

HJ30J	-	18	TJ	×	-	A	(Note)
-------	---	----	----	---	---	---	--------



Series: HJ30J

Contact Layout: 12, 18, 24, 30, 36, 55, 100

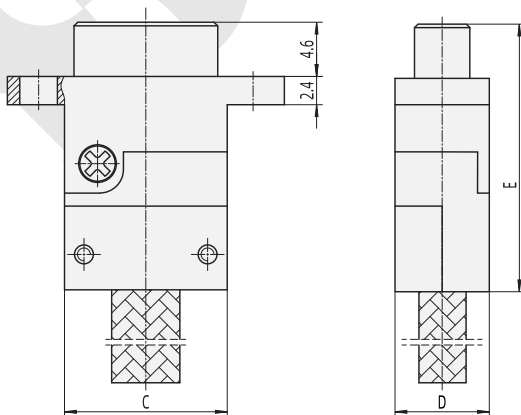
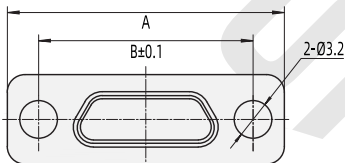
Contact Type: TJ - Plug with Pin

Hardware Type: Y - No Hardware

For other styles, please refer to "HJ30J Series Hardware Accessories" for details

Backshell Type: Type A backshell, the wire harness is covered with a shielding braid by default

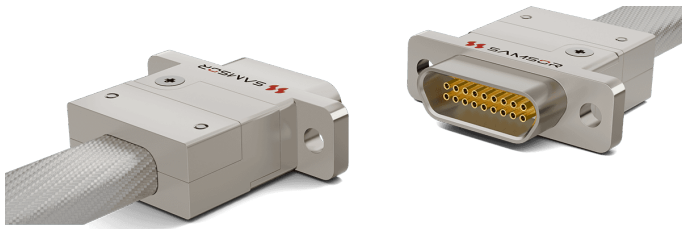
Note: For wire configuration, please refer to the notes in the "Model Naming" and wiring table section



Type	A	B	C	D	E
HJ30J-12TJ-A	23.5	18.2	13.8	8	23
HJ30J-18TJ-A	27.4	21.97	17.5	8	23
HJ30J-24TJ-A	29.84	24.51	20	8	23
HJ30J-30TJ-A	33.66	28.32	23.88	8	23
HJ30J-36TJ-A	37.46	32.13	27.8	8	23
HJ30J-55TJ-A	33.1	27.4	22	11.8	27
HJ30J-100TJ-A	44.5	38.8	33.4	11.8	27

Pre-wired- Receptacle with Backshell

HJ30J	-	18	ZK	×	-	A	(Note)
-------	---	----	----	---	---	---	--------



Series: HJ30J

Contact Layout: 12、18、24、30、36、55、100

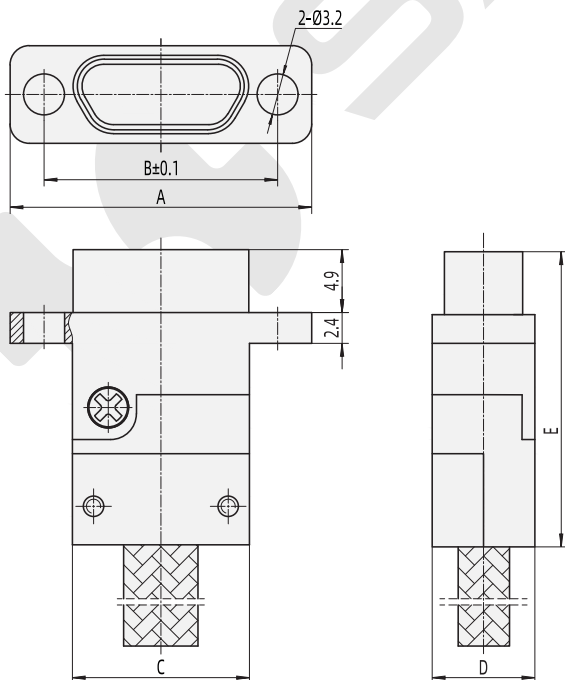
Contact Type: ZK - Receptacle with Socket

Hardware Type: Y - No Hardware

For other styles, please refer to "HJ30J Series Hardware Accessories" for details

Backshell Type: Type A backshell, the wire harness is covered with a shielding braid by default

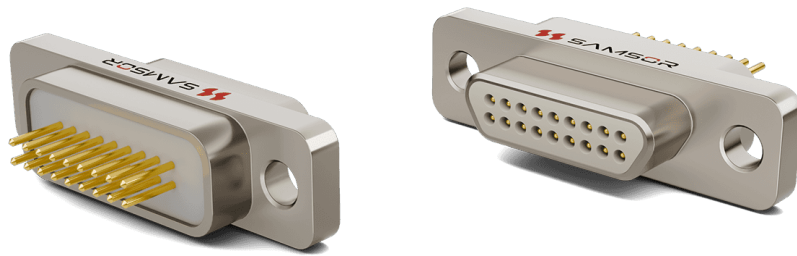
Note: For wire configuration, please refer to the notes in the "Model Naming" and wiring table section



Type	A	B	C	D	E
HJ30J-12ZK-A	23.5	18.2	13.8	8	23.5
HJ30J-18ZK-A	27.4	21.97	17.5	8	23.5
HJ30J-24ZK-A	29.84	24.51	20	8	23.5
HJ30J-30ZK-A	33.66	28.32	23.88	8	23.5
HJ30J-36ZK-A	37.46	32.13	27.8	8	23.5
HJ30J-55ZK-A	33.1	27.4	22	11.8	27.5
HJ30J-100ZK-A	44.5	38.8	33.4	11.8	27.5

PCB Plug-Vertical

HJ30J	-	18	TJ	N	×
-------	---	----	----	---	---



Series: HJ30J

Contact Layout: 12、18、24、30、36、55、100

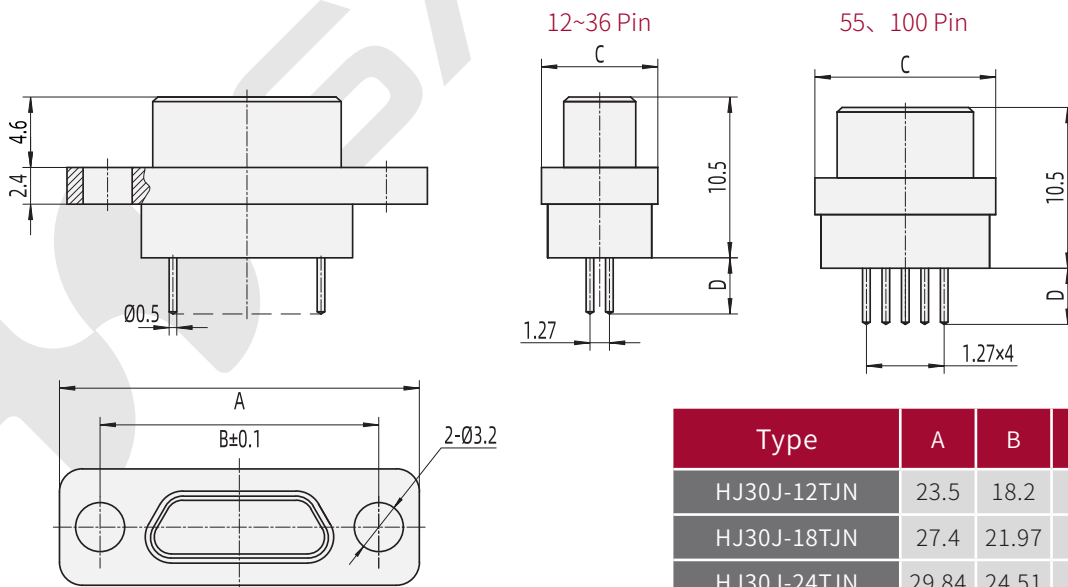
Contact Type: TJ - Plug with Pin

Termination Style: N - Vertical PCB

N5, N8, N7 - Extended pins based on Type N (see dimension table for details)

Hardware Type: Y - No Hardware

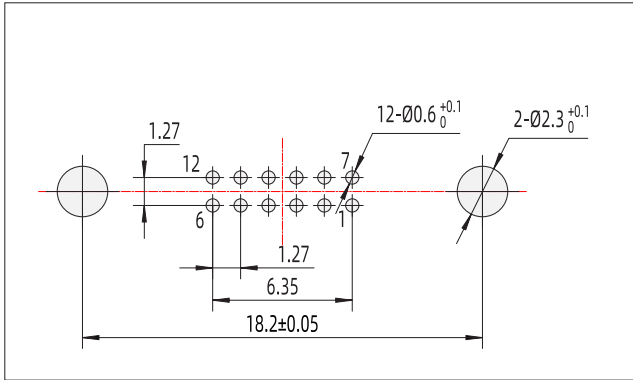
For other styles, please refer to "HJ30J Series Hardware Accessories" for details



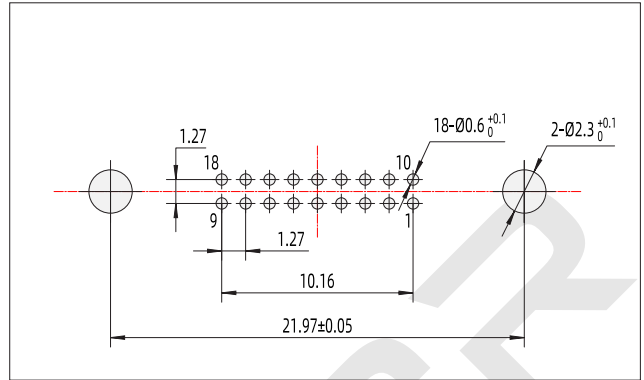
Type	A	B	C	D
HJ30J-12TJN	23.5	18.2	7.6	N-3.7 N5-5 N8-6 N7-7
HJ30J-18TJN	27.4	21.97	7.6	
HJ30J-24TJN	29.84	24.51	7.6	
HJ30J-30TJN	33.66	28.32	7.6	
HJ30J-36TJN	37.46	32.13	7.6	
HJ30J-55TJN	33.1	27.4	11.8	
HJ30J-100TJN	44.5	38.8	11.8	

HJ30J- X TJN Plug-PCB Cutout Dimensions (Grid Spacing 1.27×1.27)

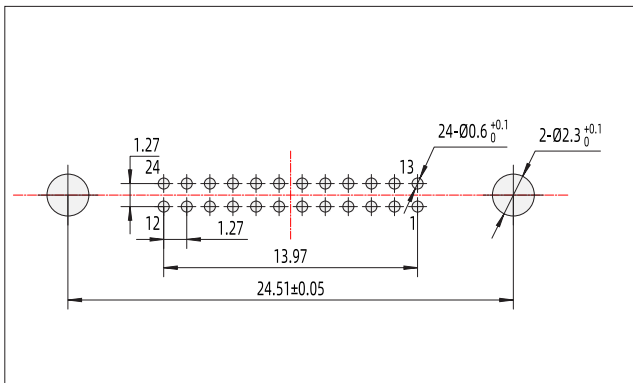
Connector-to-PCB Orientation View



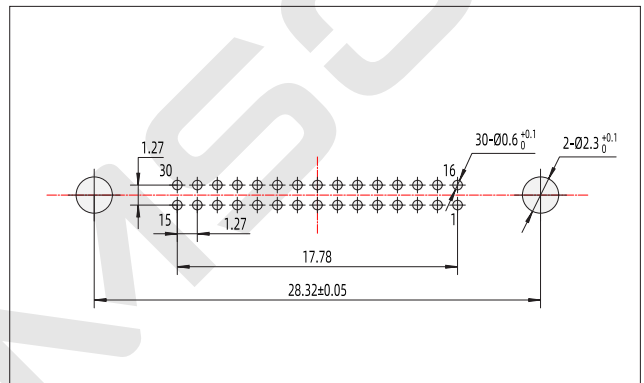
HJ30J-12TJN



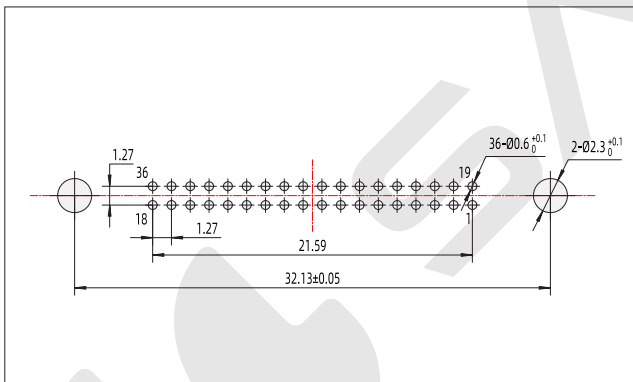
HJ30J-18TJN



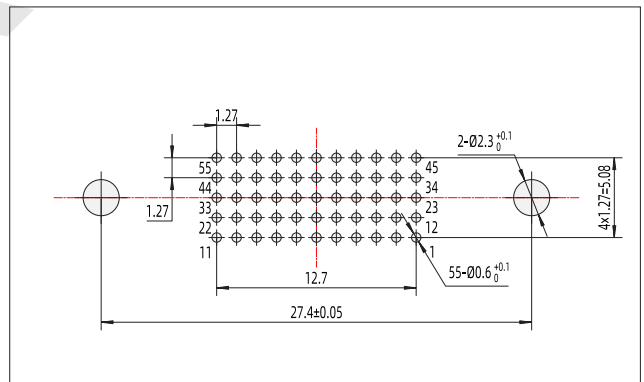
HJ30J-24TJN



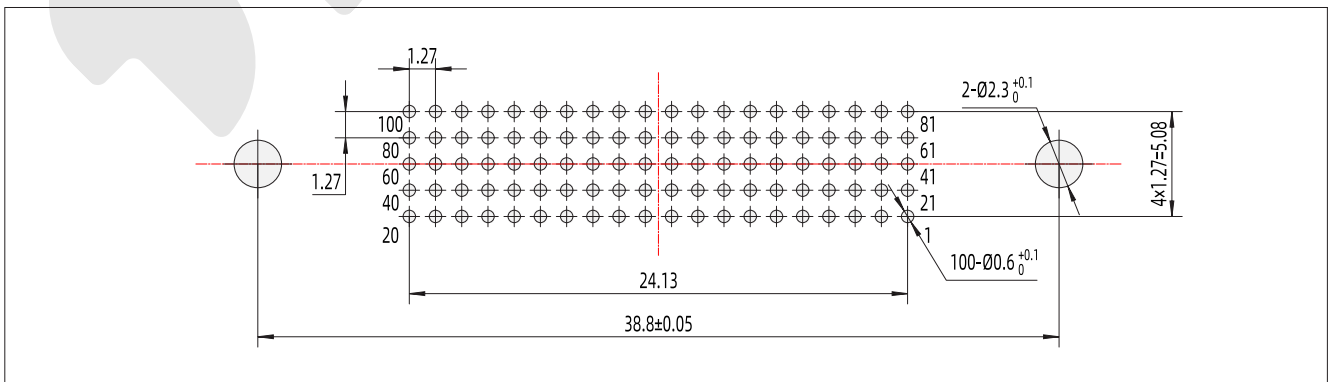
HJ30J-30TJN



HJ30J-36TJN



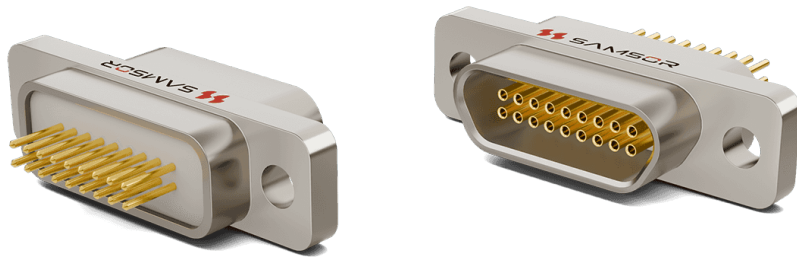
HJ30J-55TJN



HJ30J-100TJN

PCB Receptacle-Vertical

HJ30J	-	18	ZK	N	×
-------	---	----	----	---	---



Series: HJ30J

Contact Layout: 12、18、24、30、36、55、100

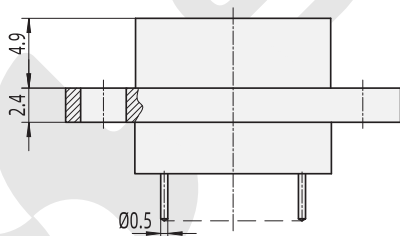
Contact Type: ZK - Receptacle with Socket

Termination Style: N - Vertical PCB

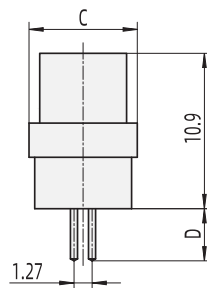
N5, N8, N7 - Extended pins based on Type N (see dimension table for details)

Hardware Type: Y - No Hardware

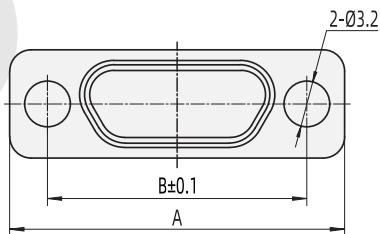
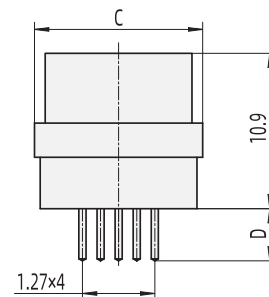
For other styles, please refer to "HJ30J Series Hardware Accessories" for details



12~36 Socket



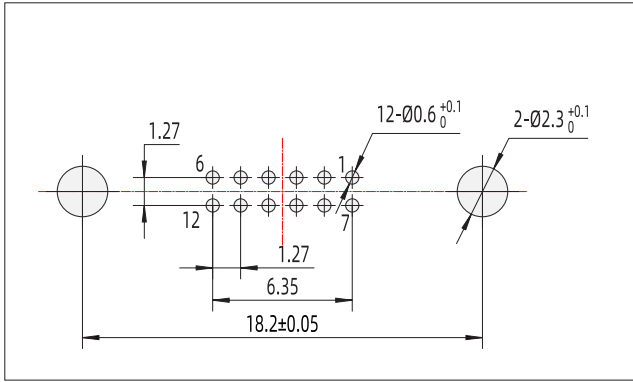
55、100 Socket



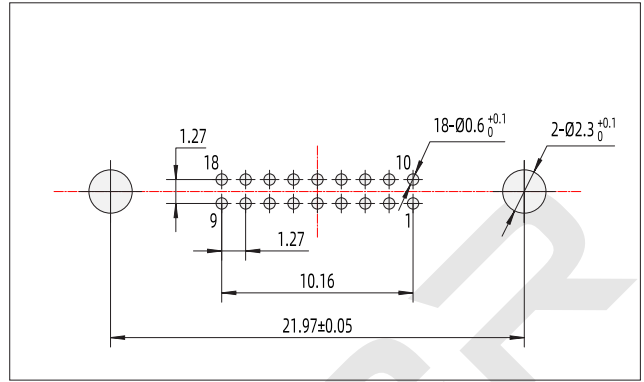
Type	A	B	C	D
HJ30J-12-ZKN	23.5	18.2	7.6	N-3.7 N5-5 N8-6 N7-7
HJ30J-18ZKN	27.4	21.97	7.6	
HJ30J-24ZKN	29.84	24.51	7.6	
HJ30J-30ZKN	33.66	28.32	7.6	
HJ30J-36ZKN	37.46	32.13	7.6	
HJ30J-55ZKN	33.1	27.4	11.8	
HJ30J-100ZKN	44.5	38.8	11.8	

HJ30J- X ZKN Receptacle-PCB Cutout Dimensions (Grid Spacing 1.27×1.27)

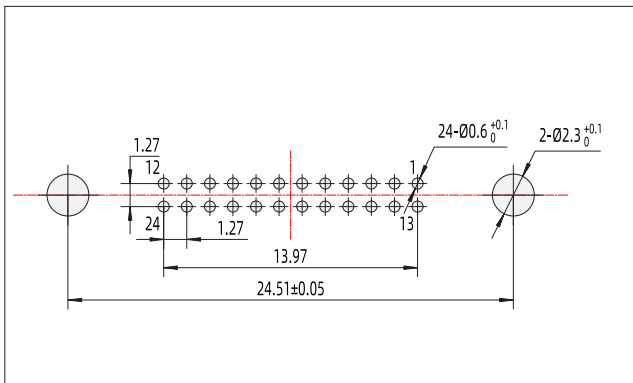
Connector-to-PCB Orientation View



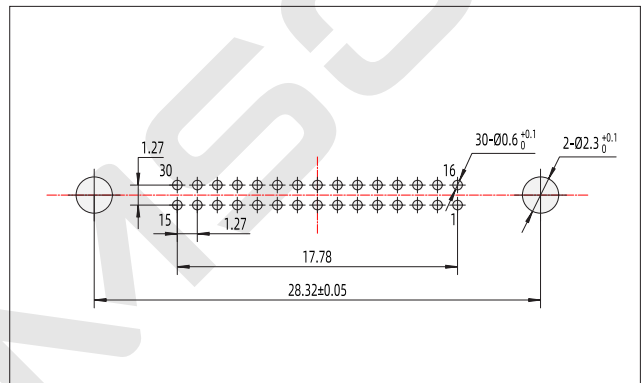
HJ30J-12ZKN



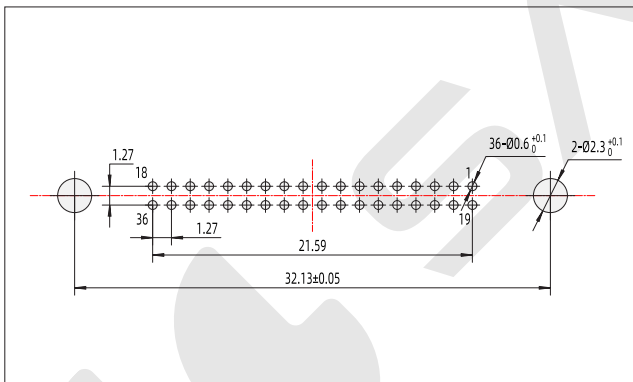
HJ30J-18ZKN



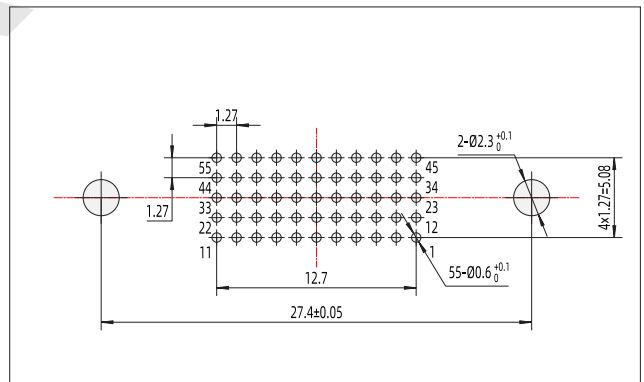
HJ30J-24ZKN



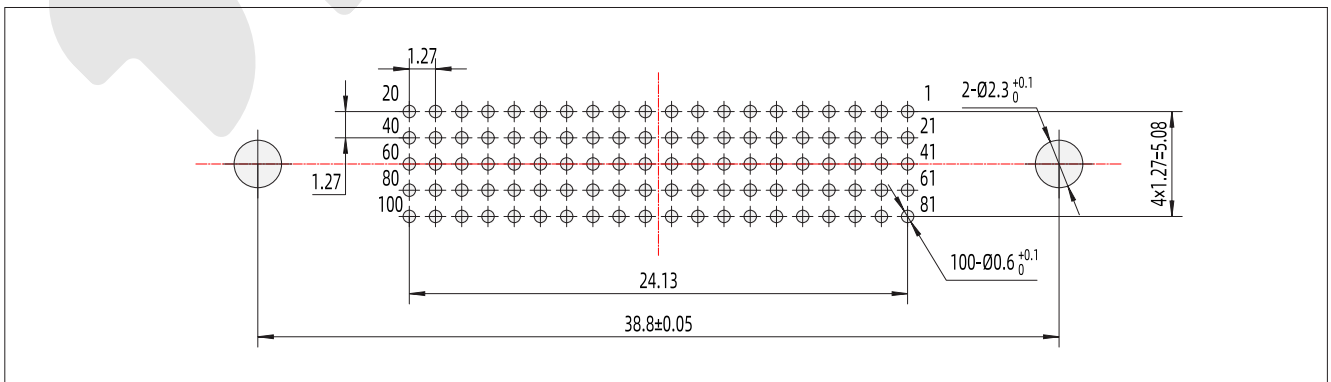
HJ30J-30ZKN



HJ30J-36ZKN



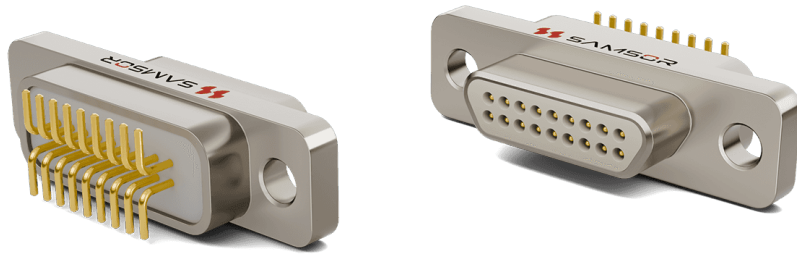
HJ30J-55ZKN



HJ30J-100ZKN

Vertical SMT-Plug

HJ30J	-	18	TJ	NB	-J
-------	---	----	----	----	----



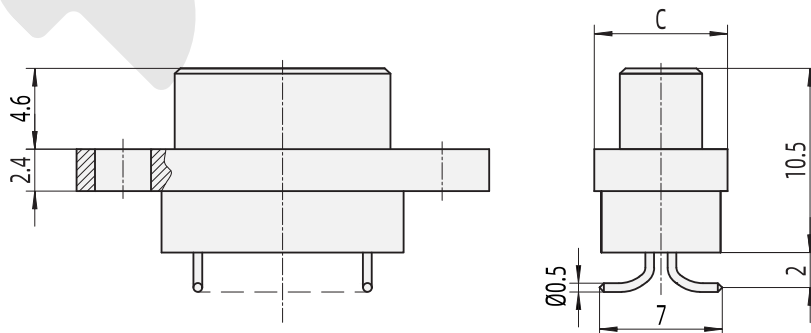
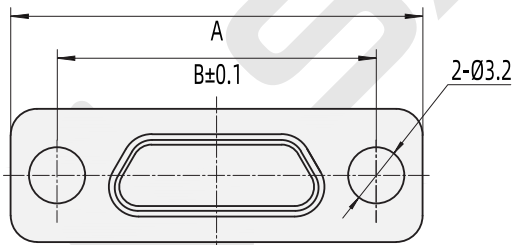
Series: HJ30J

Contact Layout: 12, 18, 24, 30, 36

Contact Type: TJ - Plug with Pin

Termination Style: NB - Vertical Surface Mount

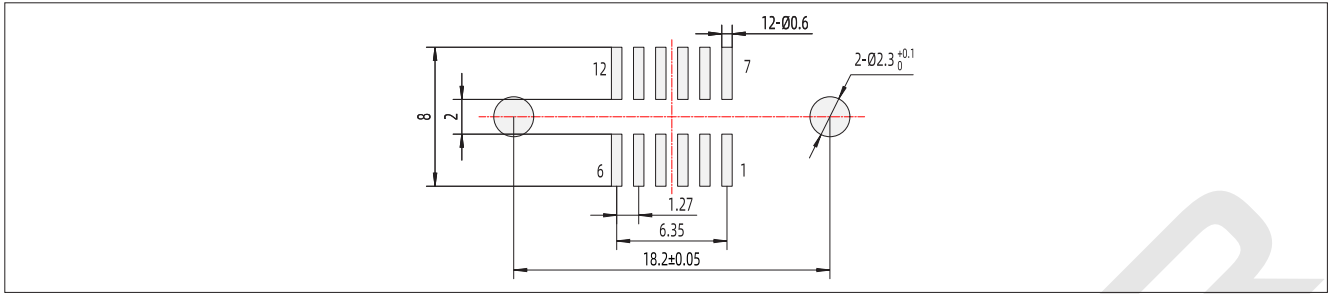
Modification Code: "-J" - PCB Pad Pitch: 1.27 (Only for Surface Mount Products)



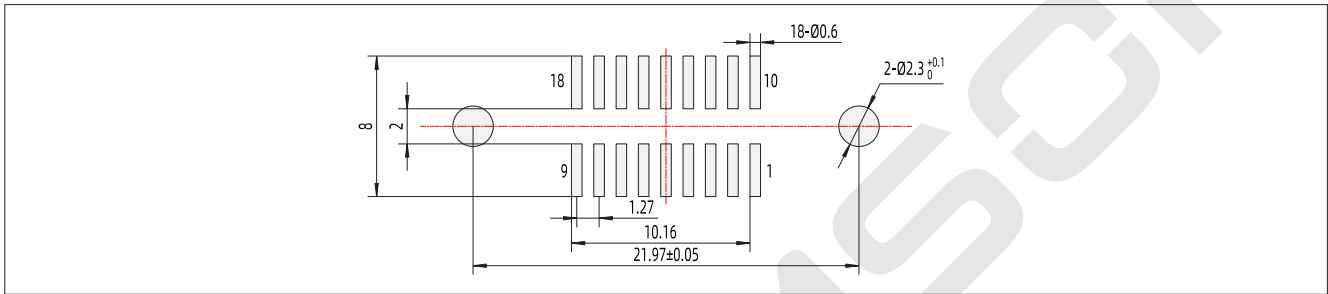
Type	A	B	C
HJ30J-12TJNB-J	23.5	18.2	7.6
HJ30J-18TJNB-J	27.4	21.97	7.6
HJ30J-24TJNB-J	29.84	24.51	7.6
HJ30J-30TJNB-J	33.66	28.32	7.6
HJ30J-36TJNB-J	37.46	32.13	7.6

HJ30J- X TJNB-J Plug-PCB Cutout Dimensions

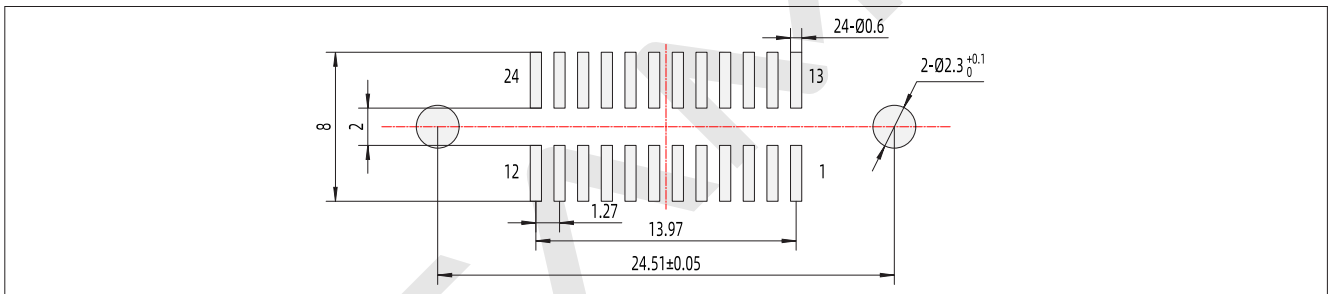
Connector-to-PCB Orientation View



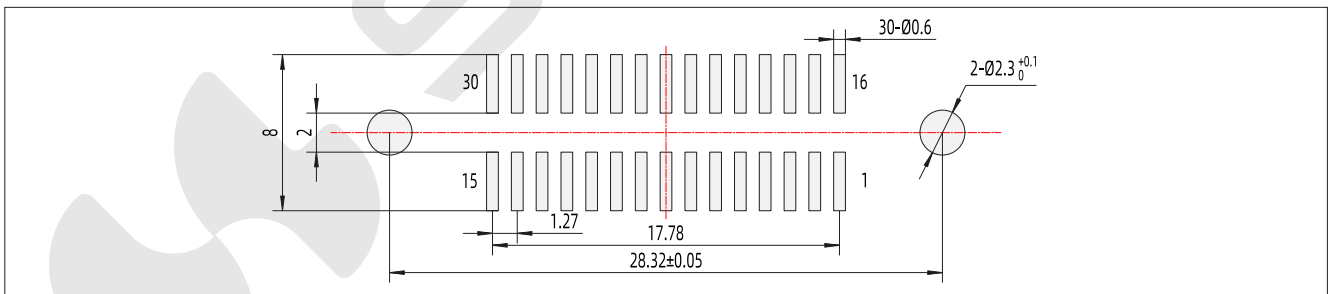
HJ30J-12TJNB-J



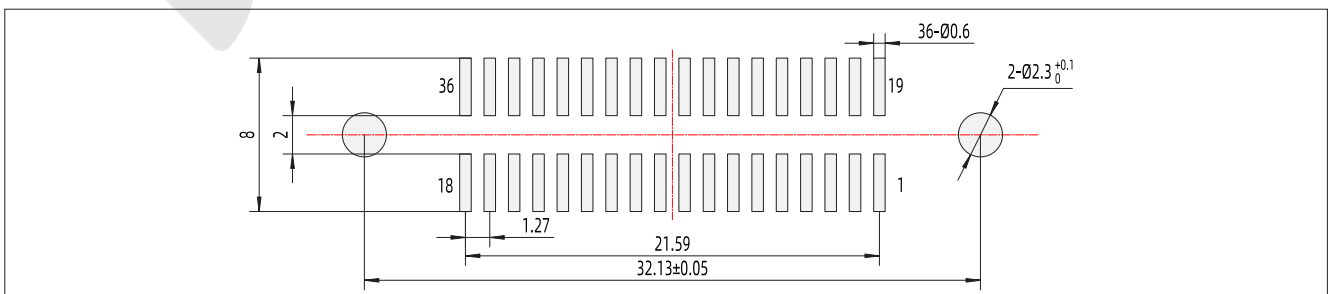
HJ30J-18TJNB-J



HJ30J-24TJNB-J



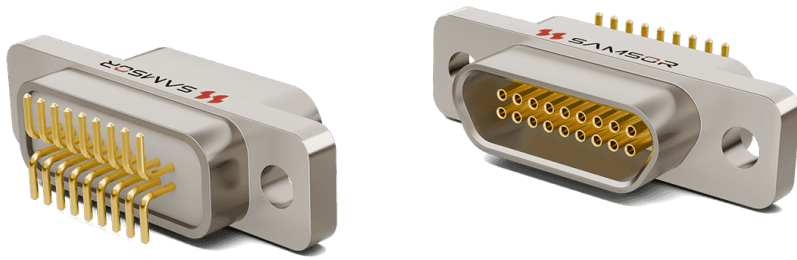
HJ30J-30TJNB-J



HJ30J-36TJNB-J

Vertical SMT-Receptacle

HJ30J	-	18	ZK	NB	-J
-------	---	----	----	----	----



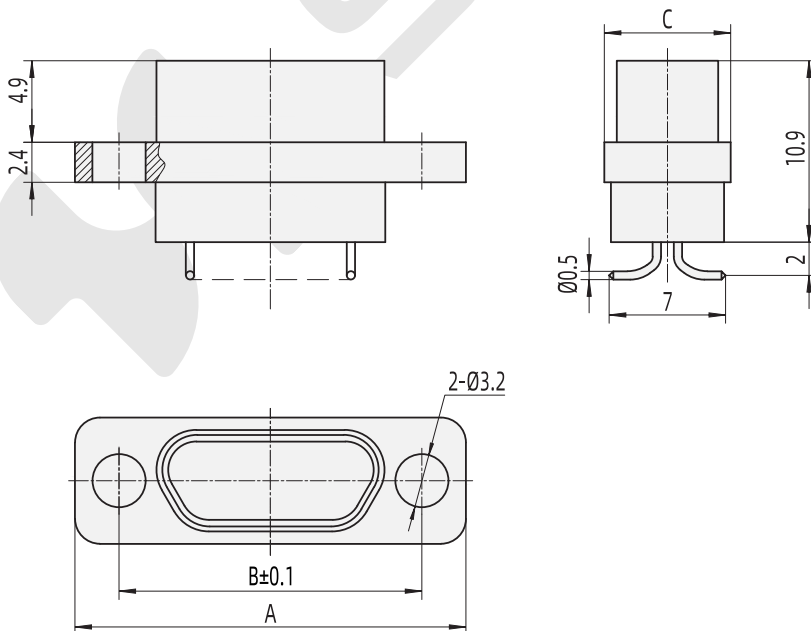
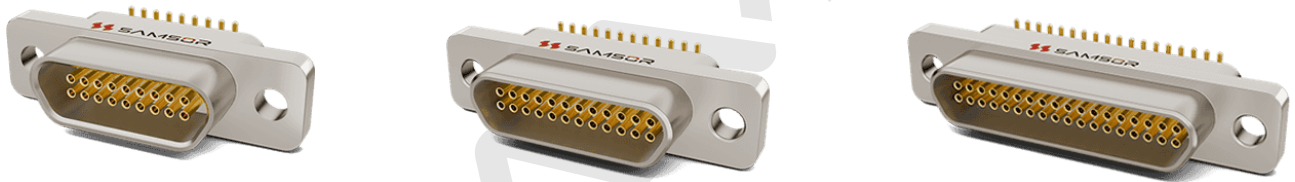
Series: HJ30J

Contact Layout: 12, 18, 24, 30, 36

Contact Type: ZK - Receptacle with Socket

Termination Style: NB - Vertical Surface Mount

Modification Code: "-J" - PCB Pad Pitch: 1.27 (Only for Surface Mount Products)

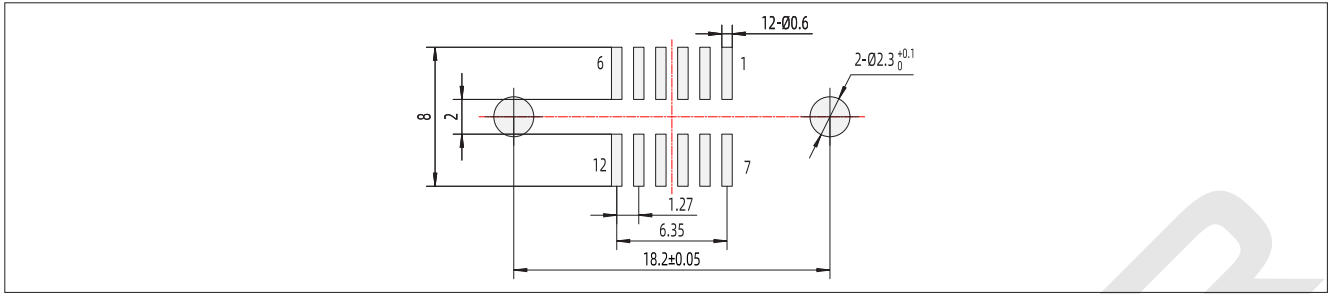


Type	A	B	C
HJ30J-12ZKNB-J	23.5	18.2	7.6
HJ30J-18ZKNB-J	27.4	21.97	7.6
HJ30J-24ZKNB-J	29.84	24.51	7.6
HJ30J-30ZKNB-J	33.66	28.32	7.6
HJ30J-36ZKNB-J	37.46	32.13	7.6

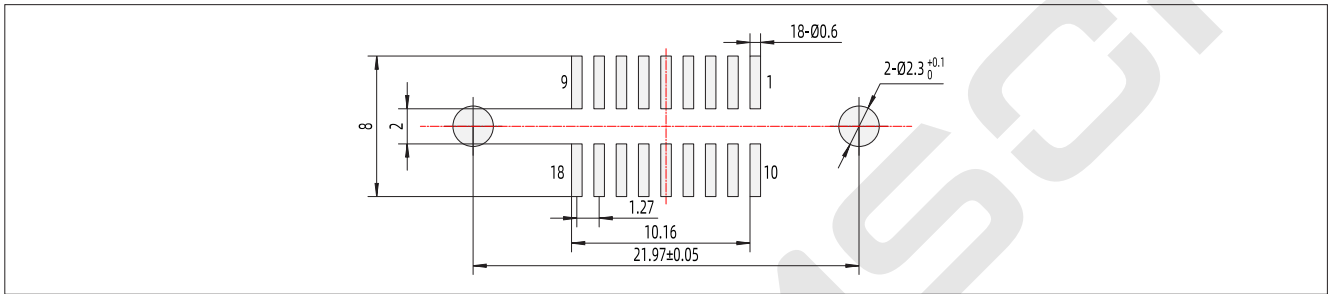
HJ30J Series

HJ30J- X ZKNB-J Receptacle-PCB Cutout Dimensions

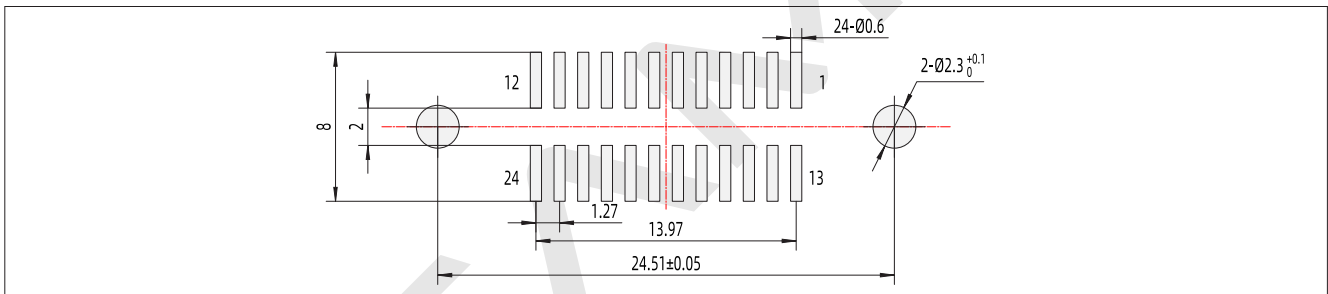
Connector-to-PCB Orientation View



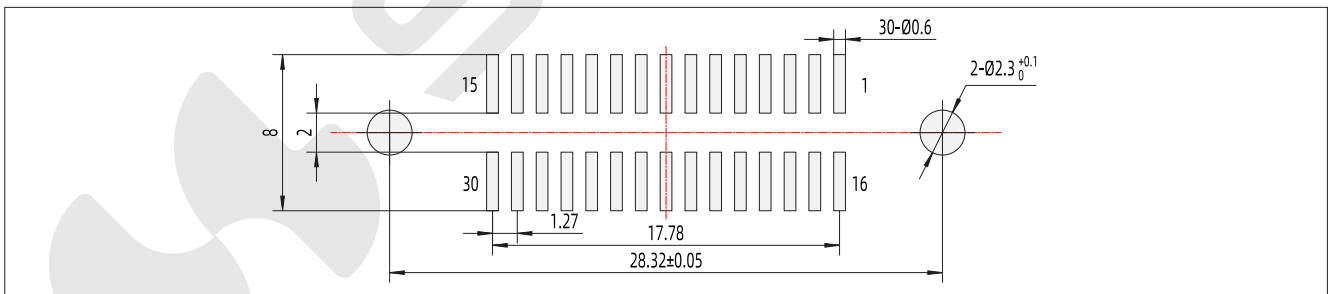
HJ30J-12ZKNB-J



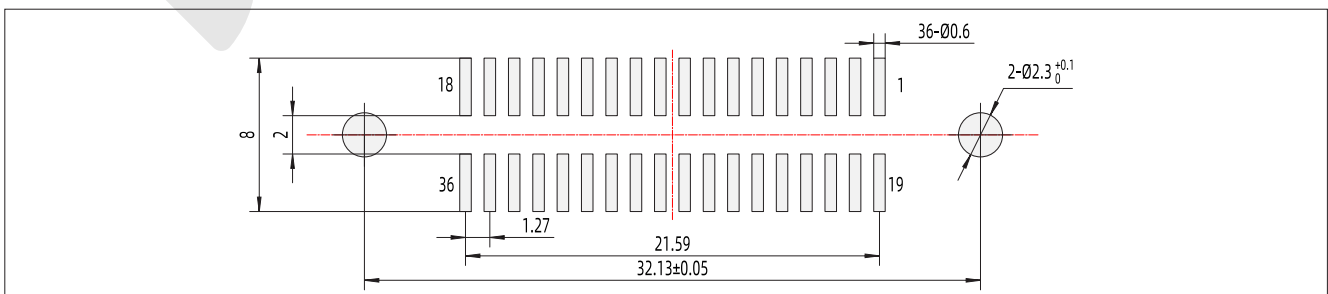
HJ30J-18ZKNB-J



HJ30J-24ZKNB-J



HJ30J-30ZKNB-J



HJ30J-36ZKNB-J

PCB Plug-Right Angle

HJ30J	-	18	TJ	W	×
-------	---	----	----	---	---



Series: HJ30J

Contact Layout: 12, 18, 24, 30, 36, 55, 100

Contact Type: TJ - Plug with Pin

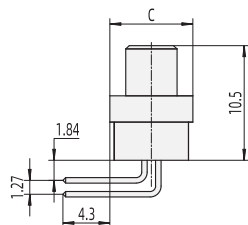
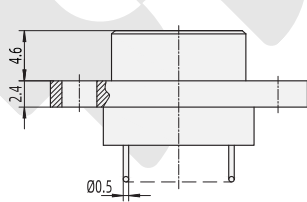
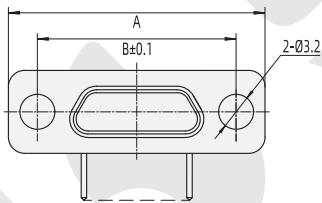
Termination Type: W - Right-Angle PCB

Hardware Type: Y - No Hardware

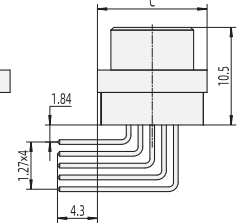
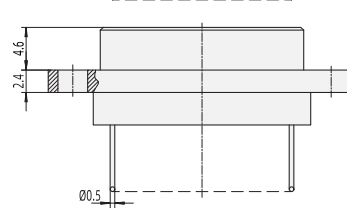
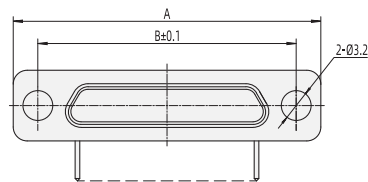
For other styles, please refer to "HJ30J Series Hardware Accessories" for details



12-36 Pin



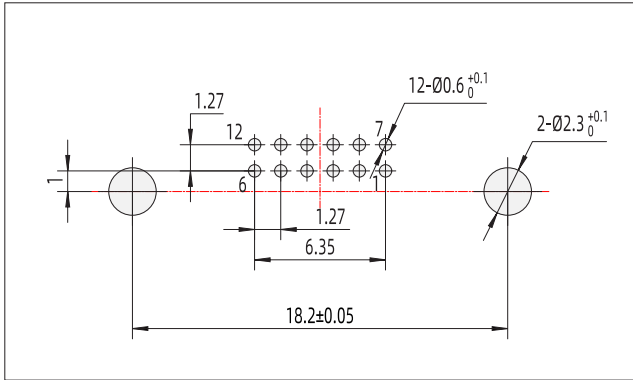
55, 100 Pin



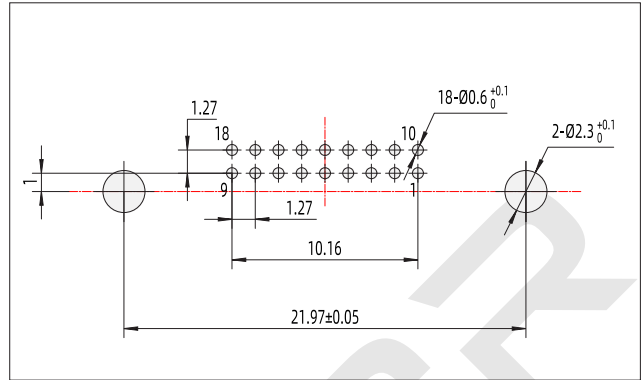
Type	HJ30J-12TJW	HJ30J-18TJW	HJ30J-24TJW	HJ30J-30TJW	HJ30J-36TJW	HJ30J-55TJW	HJ30J-100TJW
A	23.5	27.4	29.84	33.66	37.46	33.1	44.5
B	18.2	21.97	24.51	28.32	32.13	27.4	38.8
C	7.6	7.6	7.6	7.6	7.6	11.8	11.8

HJ30J- X TJW Plug-PCB Cutout Dimensions (Grid Spacing 1.27×1.27)

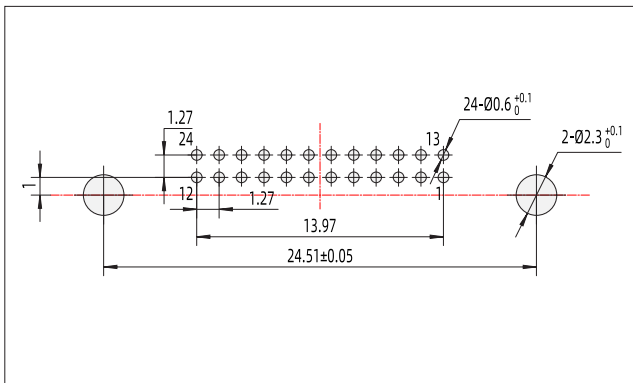
Connector-to-PCB Orientation View



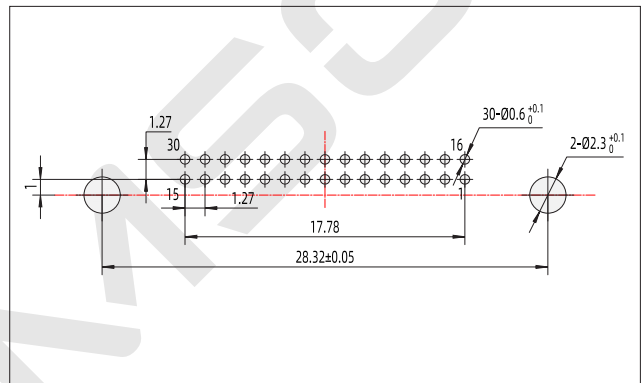
HJ30J-12TJW



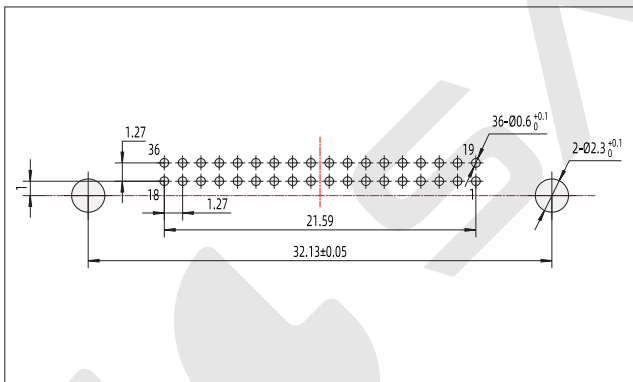
HJ30J-18TJW



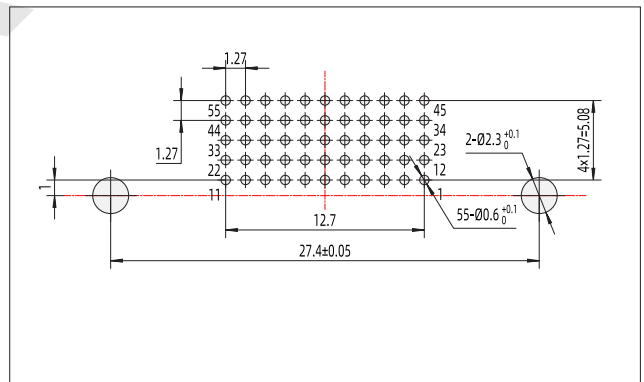
HJ30J-24TJW



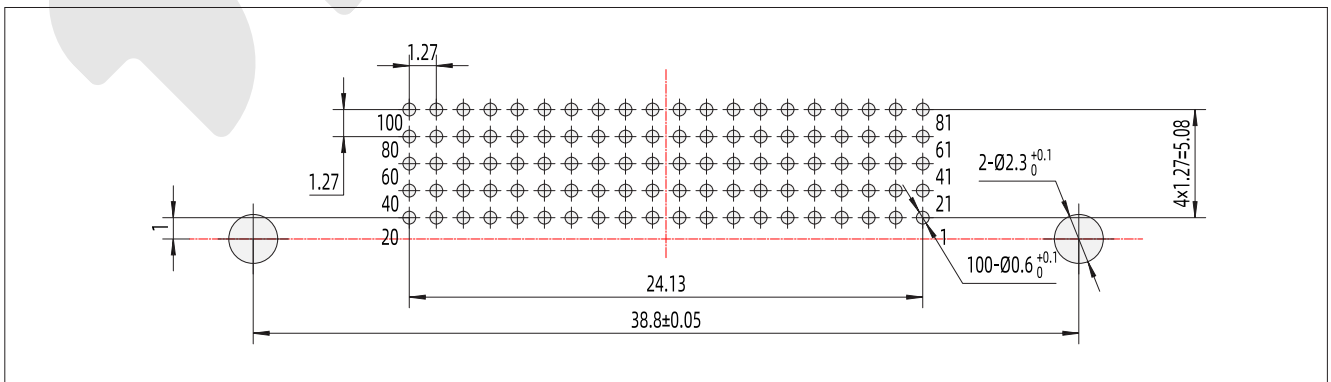
HJ30J-30TJW



HJ30J-36TJW



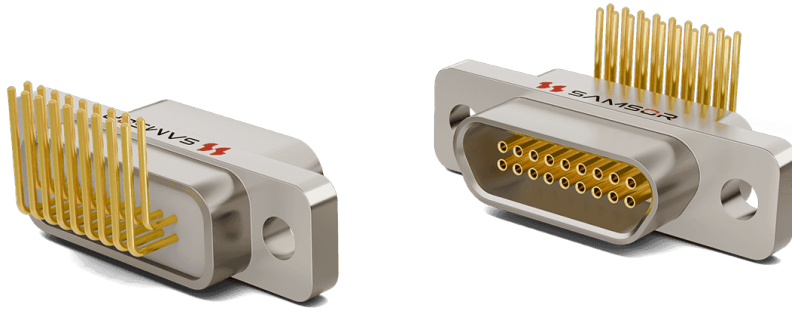
HJ30J-55TJW



HJ30J-100TJW

PCB Receptacle-Right Angle

HJ30J	-	18	ZK	W	×
-------	---	----	----	---	---



Series: HJ30J

Contact Layout: 12、18、24、30、36、55、100

Contact Type: ZK - Receptacle with Socket

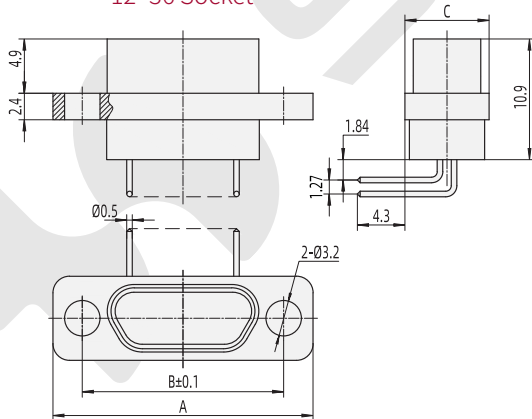
Termination Type: W - Right-Angle PCB

Hardware Type: Y - No Hardware

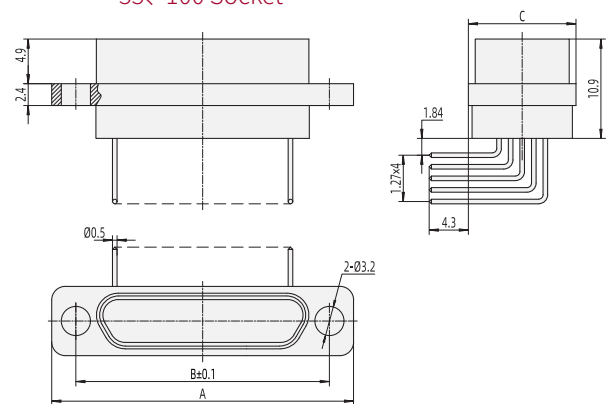
For other styles, please refer to "HJ30J Series Hardware Accessories" for details



12~36 Socket



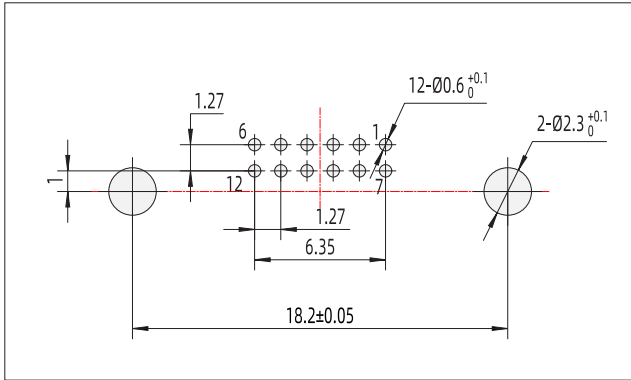
55、100 Socket



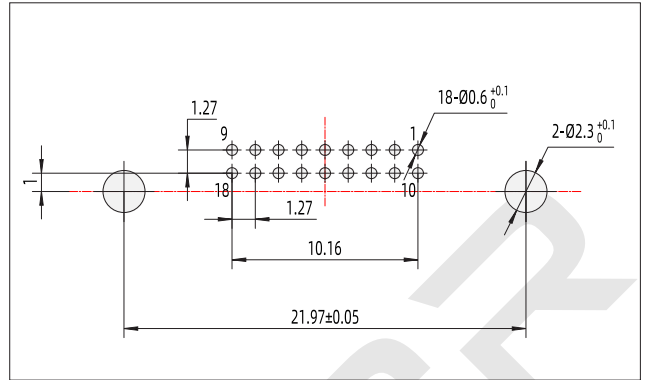
Type	HJ30J-12ZKW	HJ30J-18ZKW	HJ30J-24ZKW	HJ30J-30ZKW	HJ30J-36ZKW	HJ30J-55ZKW	HJ30J-100ZKW
A	23.5	27.4	29.84	33.66	37.46	33.1	44.5
B	18.2	21.97	24.51	28.32	32.13	27.4	38.8
C	7.6	7.6	7.6	7.6	7.6	11.8	11.8

HJ30J- X ZKW Receptacle-PCB Cutout Dimensions (Grid Spacing 1.27×1.27)

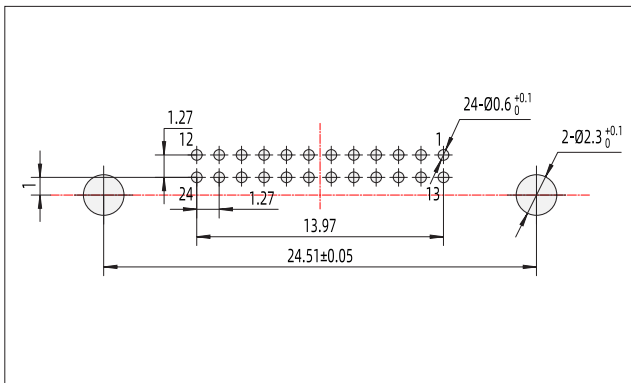
Connector-to-PCB Orientation View



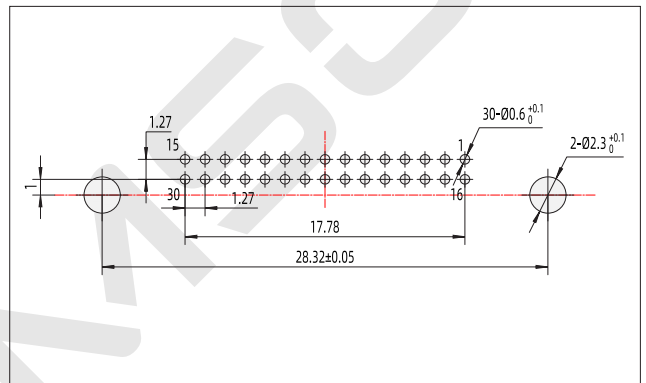
HJ30J-12ZKW



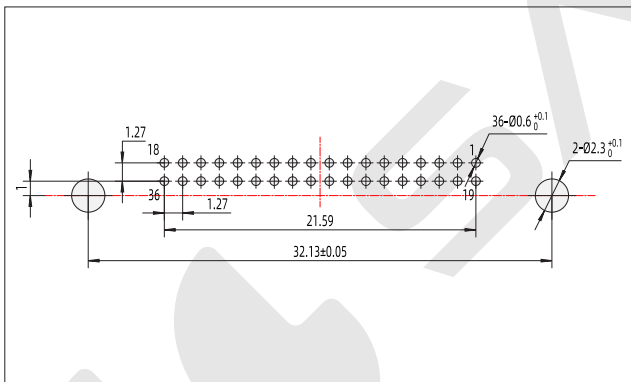
HJ30J-18ZKW



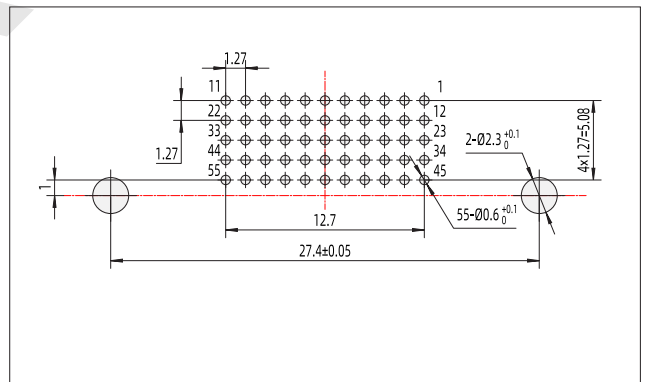
HJ30J-24ZKW



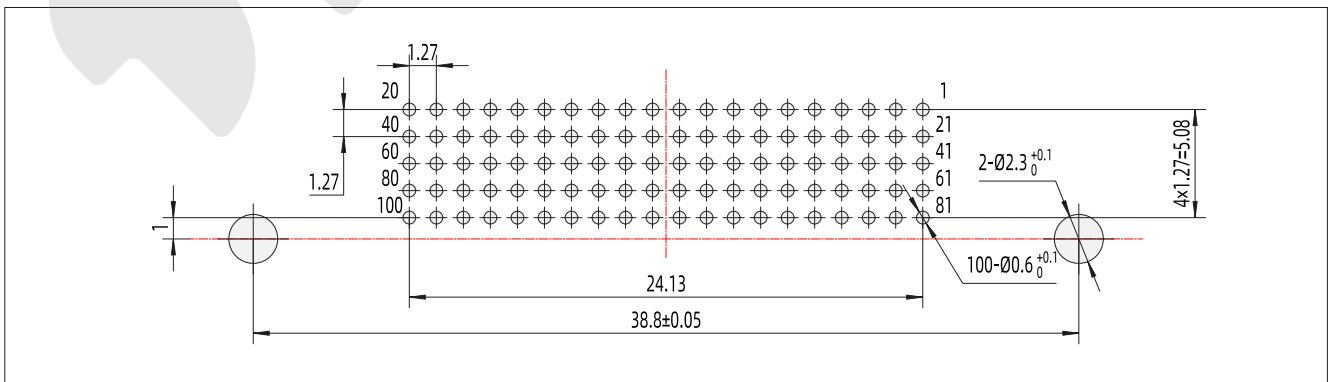
HJ30J-30ZKW



HJ30J-36ZKW



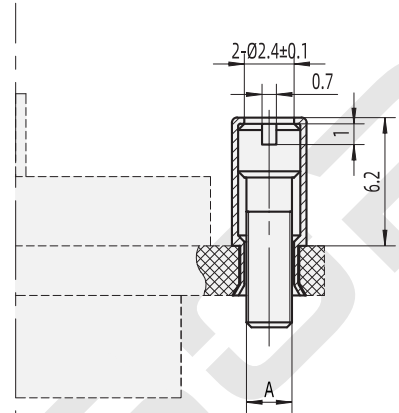
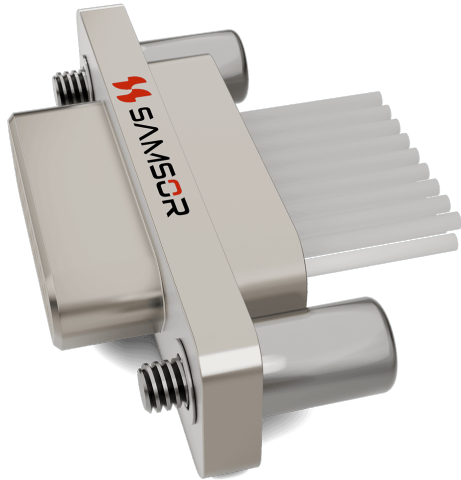
HJ30J-55ZKW



HJ30J-100ZKW

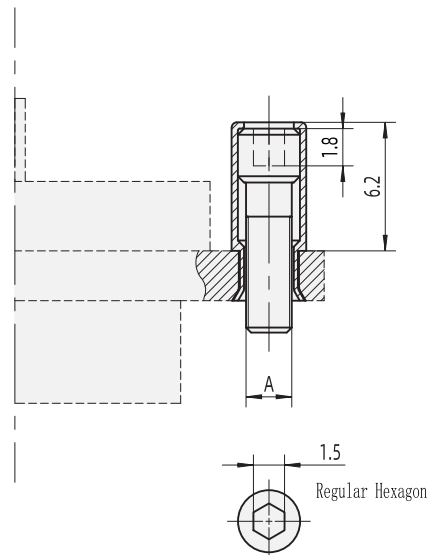
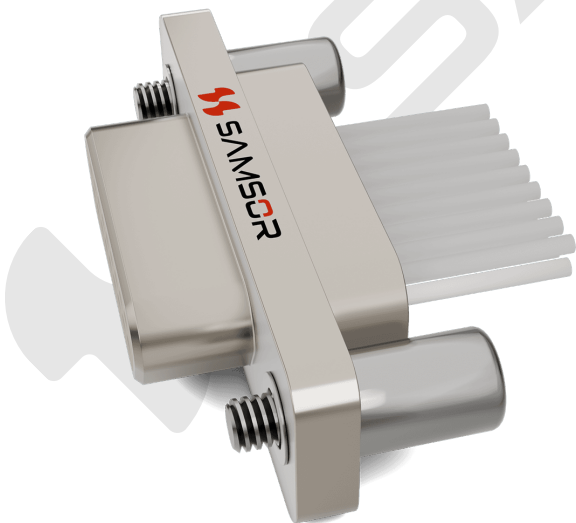
Hardware Type-Free End

L、L8



Component Identifier	A	Instructions
L	M2-6g	Slotted Head Metric Thread
L8	0.086-56UNC-2A	Slotted Head Imperial Thread

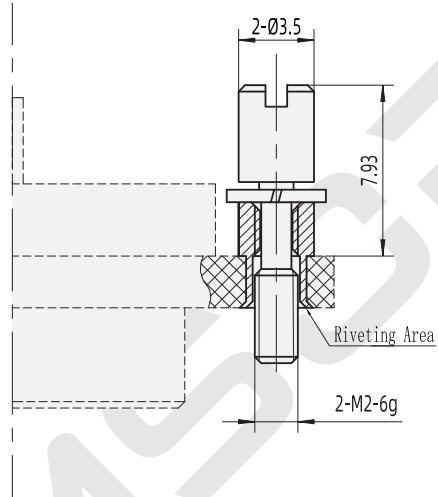
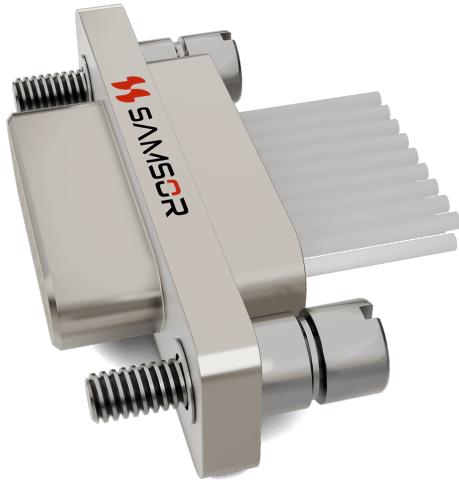
L20、L21



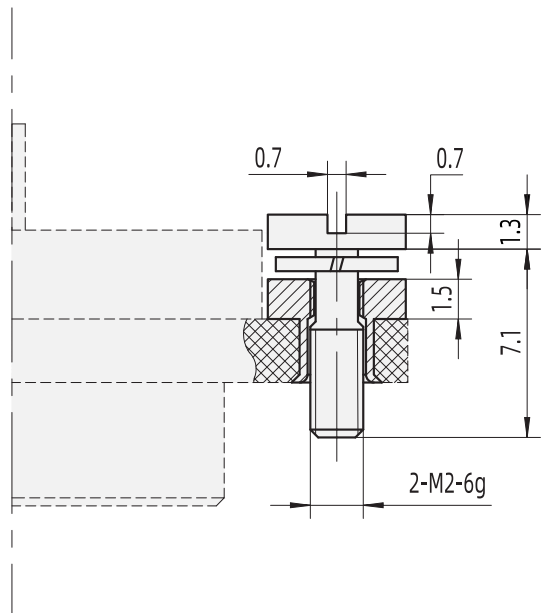
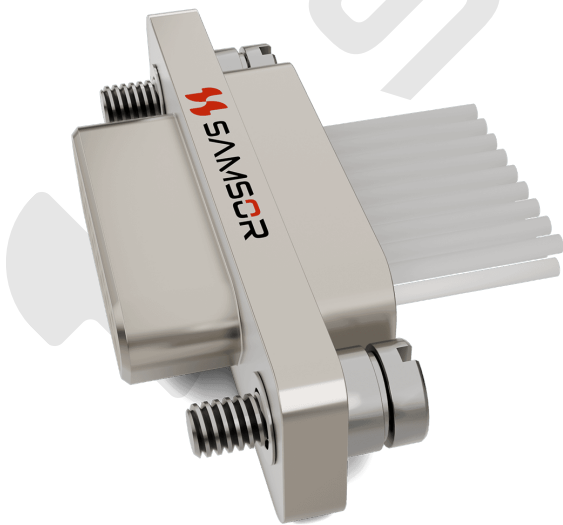
Component Identifier	A	Instructions
L20	M2-6g	Hex Head Metric Thread
L21	0.086-56UNC-2A	Hex Head Imperial Thread

Hardware Type-Free End

L22

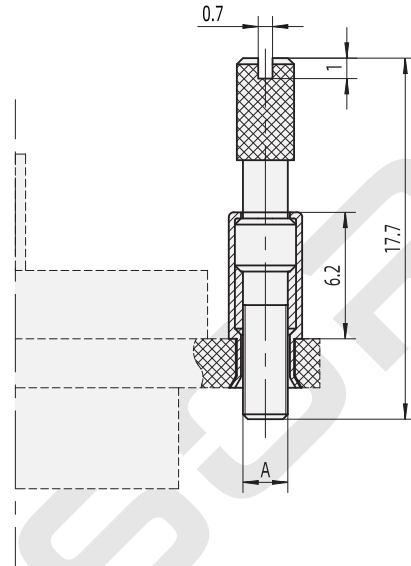
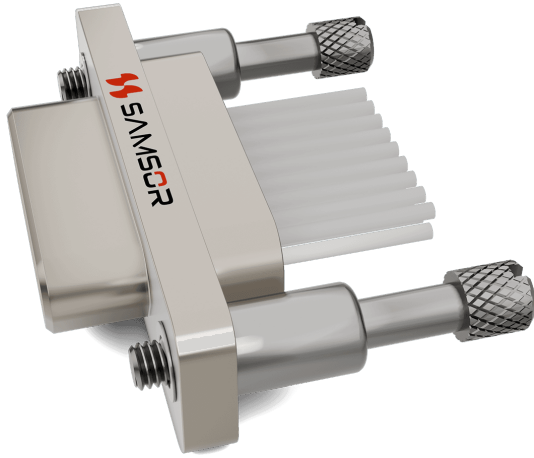


L7



Hardware Type-Free End

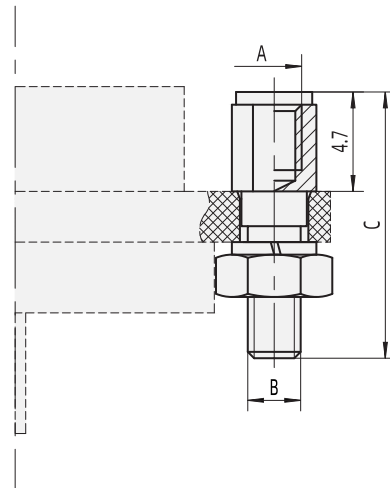
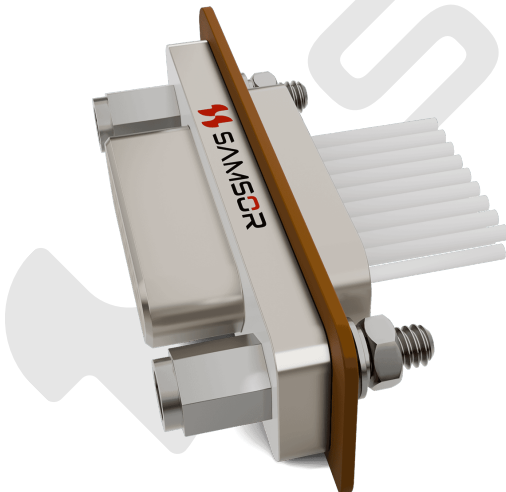
K, K1



Component Identifier	A	Instructions
K	M2-6g	Slotted Head Metric Thread
K1	0.086-56UNC-2A	Slotted Head Imperial Thread

Hardware Type-Fixed End

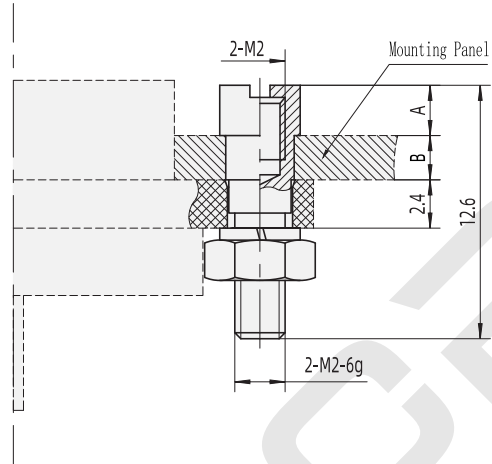
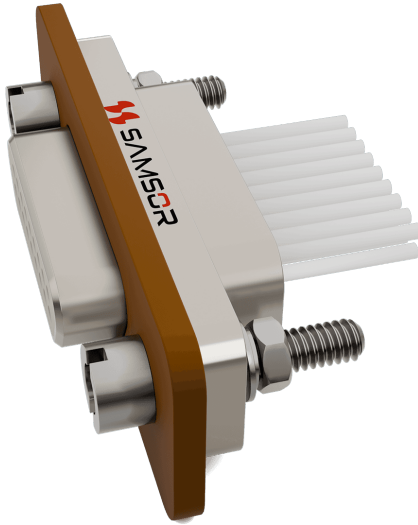
P, P1, P8, P9



Component Identifier	A	B	C	Instructions
P	M2-6H	M2-6g	12.6	Suitable for Front Panel Mounting
P1	0.086-56UNC-2B	0.086-56UNC-2A	12.6	
P8	M2-6H	M2-6g	15.6	
P9	M2-6H	M2-6g	21.6	

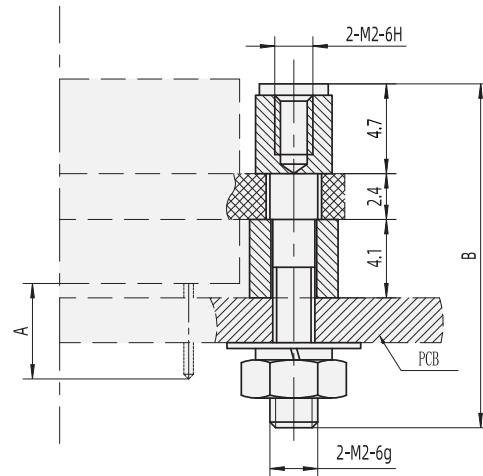
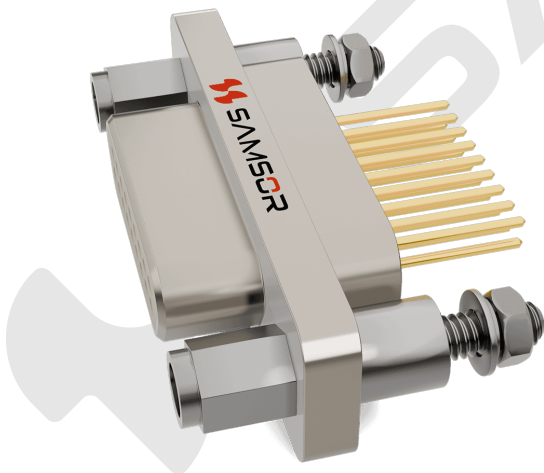
Hardware Type-Fixed End

P0, P3, P4, P11, P20, P76, P83



Component Identifier	A	B	Instructions
P0	4.1	0.6	Suitable for Rear Panel Mounting
P3	3.3	1.4	
P4	2.5	2.2	
P11	1.3	3.4	
P20	0.8	3.9	
P76	0.7	4	
P83	2.2	2.5	

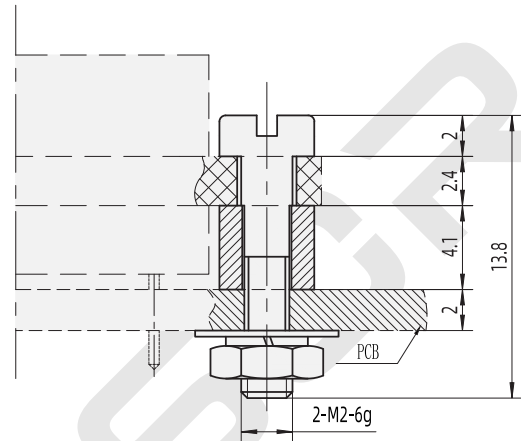
P51, P85, P92, P105, P106



Component Identifier	A	B	Compatible PCB Thickness Range	Instructions
P51	3.7	16	≤ 2	Suitable for Vertical PCB Front Panel Mounting
P85	6	18.6	3~4	
P92	5	18	2~3	
P105	7	19.6	4~5	
P106	8	20.6	5~6	

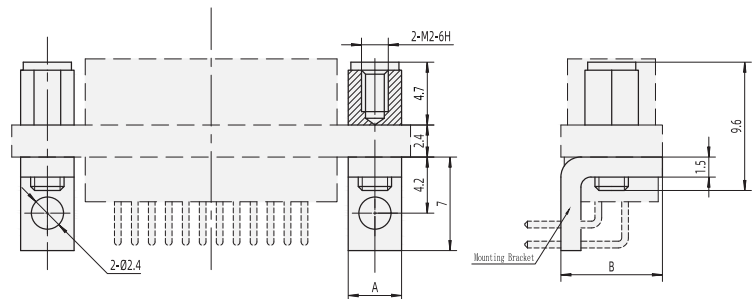
Hardware Type-Fixed End

V22



Component Identifier	Compatible PCB Thickness Range	Instructions
V22	≤ 2	Compatible with Plugs and receptacles that do not require locking

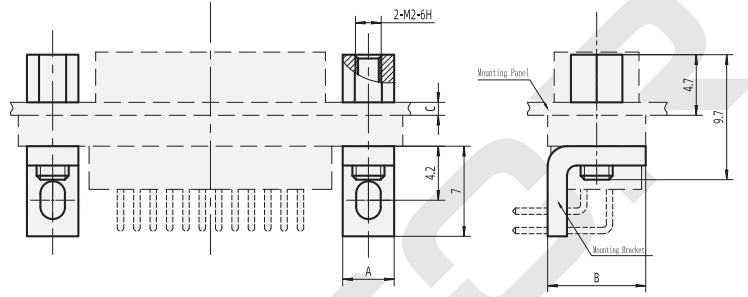
P7



Compatible Contact Count	A	B	Instructions
12~36 Pin	4	7.6	Suitable for Right Angle PCB Front Panel Mounting
55、100 Pin	5	11.8	

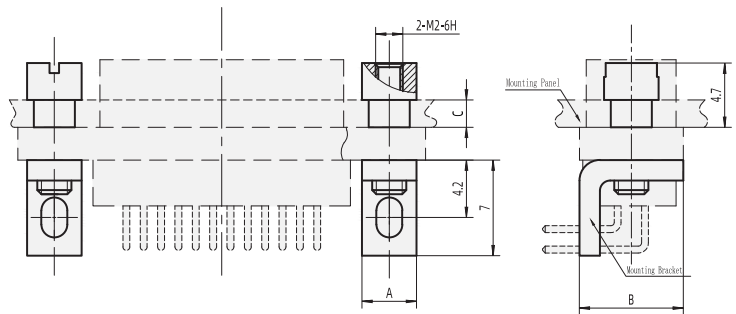
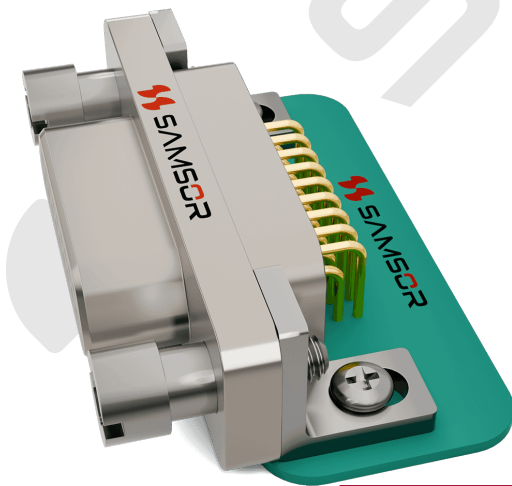
Hardware Type-Fixed End

P2、P14



Compatible Contact Count	A	B	C		Instructions
			P2	P4	
12~36 芯	4	7.6	1	3	Right-angle PCB Rear Panel Mounting with Hex Head Jackscrew
55、100 芯	5	11.8	1	3	

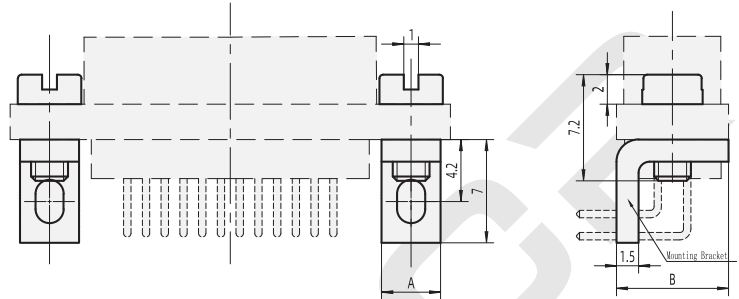
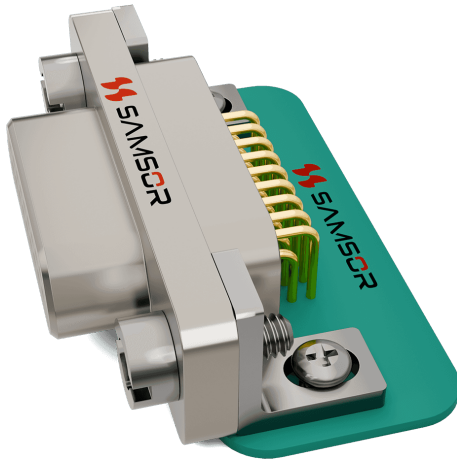
P58、P60



Compatible Contact Count	A	B	C		Instructions
			P58	P60	
12~36 芯	4	7.6	2	3	Right-angle PCB Rear Panel Mounting with Slotted Head Jackscrew
55、100 芯	5	11.8	2	3	

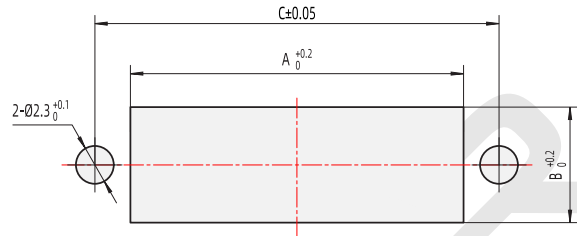
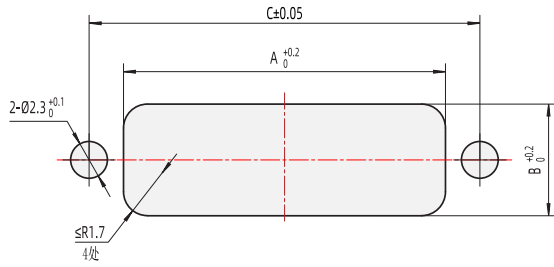
Hardware Type-Fixed End

V1



Compatible Contact Count	A	B	Instructions
12~36 芯	4	7.6	Applicable for Right Angle PCB products that do not require locking
55、100 芯	5	11.8	

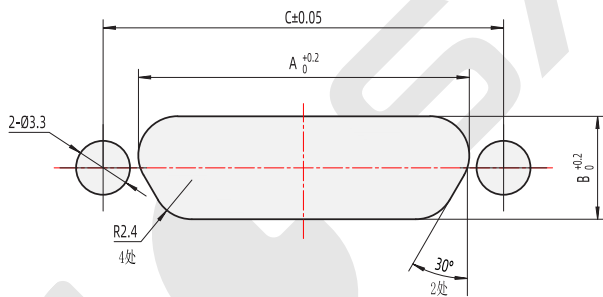
Panel Cutout Dimensions-Front Panel Mount



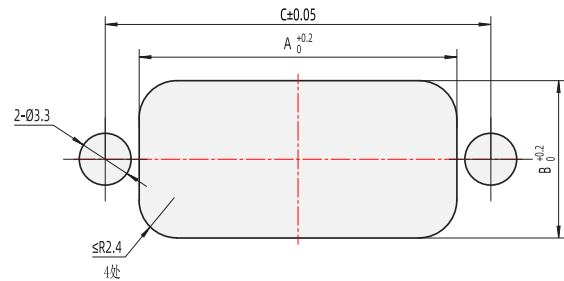
Type	A	B	C
HJ30J-12TJ/ZK	14	7	18.2
HJ30J-18TJ/ZK	17.7	7	21.97
HJ30J-24TJ/ZK	20.2	7	24.51
HJ30J-30TJ/ZK	24.1	7	28.32
HJ30J-36TJ/ZK	28	7	32.13
HJ30J-55TJ/ZK	21.2	11	27.4
HJ30J-100TJ/ZK	32.6	11	38.8

Type	A	B	C
HJ30J-12TJ/ZK-A	14	8.2	18.2
HJ30J-18TJ/ZK-A	17.7	8.2	21.97
HJ30J-24TJ/ZK-A	20.2	8.2	24.51
HJ30J-30TJ/ZK-A	24.1	8.2	28.32
HJ30J-36TJ/ZK-A	28	8.2	32.13
HJ30J-55TJ/ZK-A	22.2	12	27.4
HJ30J-100TJ/ZK-A	32.6	12	38.8

Panel Cutout Dimensions-Rear Panel Mount



12~36 Pin



55、100 Pin

Type	A	B	C	Hole Dimensions for Other Models
HJ30J-12ZK	12.8	6.3	18.2	HJ30J-xxTJ, HJ30J-xxTJ-A, and HJ30J-xxZK-A rear-panel mounting cutout dimensions are identical to HJ30J-xxZK
HJ30J-18ZK	16.6	6.3	21.97	
HJ30J-24ZK	20.25	6.3	24.51	
HJ30J-30ZK	24.1	6.3	28.32	
HJ30J-36ZK	27.9	6.3	32.13	
HJ30J-55ZK	18.9	10	27.4	
HJ30J-100ZK	30.3	10	38.8	

HJ30J Series