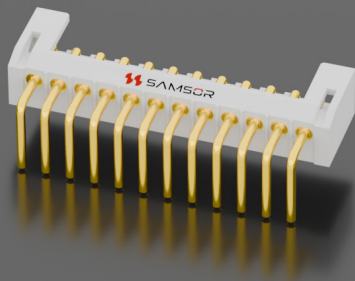
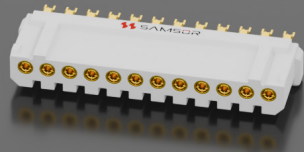
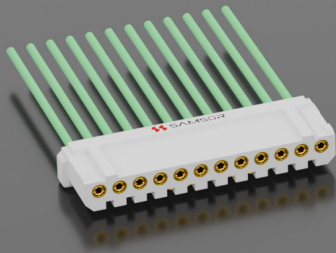
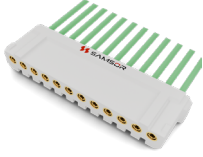
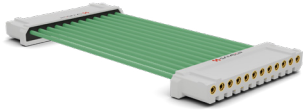

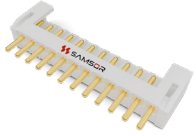
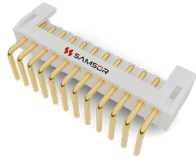


JL35 Series

PCB Connector



Product Selection Guide

JL35 Standard Series		
		
2 Pre-wired Plug	3 Pre-wired Plug(Double-Ended Cable)	4 Solder Cup Plug
		
5 Vertical PCB Receptacle	6 Right Angle PCB Receptacle	

Features

Corresponding to the National Military Standard GJB 1438A-2006
Number of Contacts: Available in 10 configurations with 2, 3, 4, 5, 6, 7, 8, 9, 10 and 12 pins
Hyperboloid spring socket contact structure, with 2.54mm standard spacing, arranged in a single row
Conductor cross-sectional area suitable for 0.15mm ² to 0.25mm ² . For thinner wires, modification is required; please specify when ordering. Default supply: 0.2mm ² green high-temperature silver-plated wrapped wire

Performance Specifications

Operating Temperature: -65°C~ +125°C	Dielectric Withstand Voltage: 1000V (AC)
Rated Voltage: 300V AC	Durability: 500 times
Rated Current: 3A	Vibration: 10Hz-2000Hz acceleration 147m/s ² Interruption duration ≤ 1μs
Insulation Resistance: ≥ 5000MΩ (at normal condition)	Shock: 980m/s ² Interruption duration ≤ 1μs

How to order

Series: JL35	JL35 - × ZJ/TK × - S (Note)
Contact Layout: 2、3、4、5、6、7、8、9、10、12	
Contact Type: ZJ - Receptacle with Pin TK - Plug with Socket	
Termination Type: B - Vertical PCB W - Right angle PCB Y - Pre-wired H - Solder Cup	
Cable Type: S - Double-ended Cable Omit - Single-ended Cable	

Note: Wire Requirements for Pre-wired Product

If not specified, the default configuration is L=200 mm, AFR250 - 0.2mm²-250V, Green

If there are other requirements, specify as follows: Wire length (from the rear exit point, unit: mm, default: 200mm); Braid shield (P - Lightweight braided shield; default: no braid shield); Nylon sleeve (F - for military green nylon sleeve; Default: No nylon sleeve); Wire Grade (commonly AFR250, default AFR250); Wire Gauge (compatible with 0.15mm² - 0.25mm², default: 0.2mm²); Wire Color (optional multiple colors, default: green), Default items may be omitted; all other requirements can be noted. The above notes do not appear on product markings. They only serve as wire requirements for ordering pre-wired products with leads. For additional wiring definitions or requirements, please contact our engineers.

Note Examples:

(L600PF AFR250 0.2) - Length: 600mm, green wire, type AFR250, Gauge: 0.2mm², braided shielding over wire; nylon sleeve over shielding

(L300F 0.15) - Length: 300mm, green wire, type AFR250, Gauge: 0.15mm², without braid shield, with nylon sleeve over the wire

Pre-wired Plug

JL35	-	12	TK	Y	-	L	(Note)
------	---	----	----	---	---	---	--------

Series: JL35

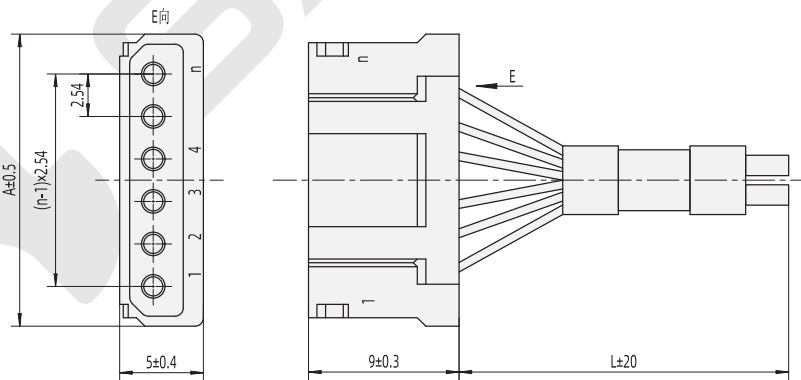
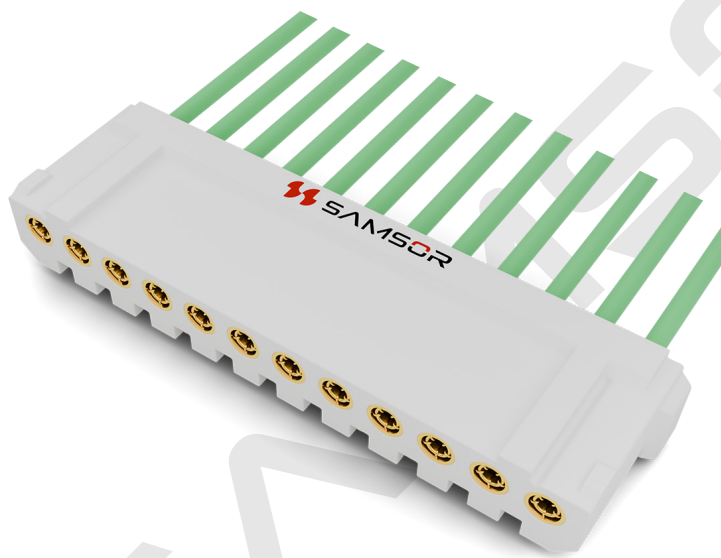
Contact Layout: 2、3、4、5、6、7、8、9、10、12

Contact Type: TK - Plug with Socket

Termination Type: Y - Pre-wired

Wire Length: Default wire length is L = 200 mm

Note: For wire configuration, please refer to the notes in the "Model Naming" section



Type	A	n(Layout)	Type	A	n(Layout)
JL35-2TKY	7.3	2	JL35-7TKY	20	7
JL35-3TKY	9.84	3	JL35-8TKY	22.54	8
JL35-4TKY	12.38	4	JL35-9TKY	25.08	9
JL35-5TKY	14.92	5	JL35-10TKY	27.62	10
JL35-6TKY	17.46	6	JL35-12TKY	32.7	12

Pre-wired Plug

JL35 - 12 TK Y -S - L (Note)

Series: JL35

Contact Layout: 2、3、4、5、6、7、8、9、10、12

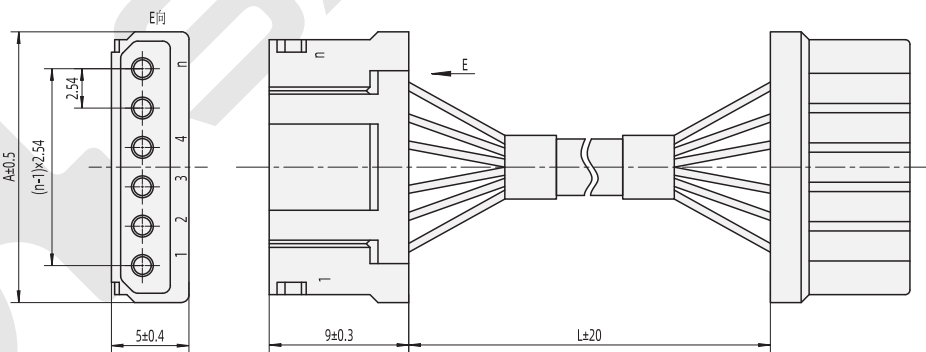
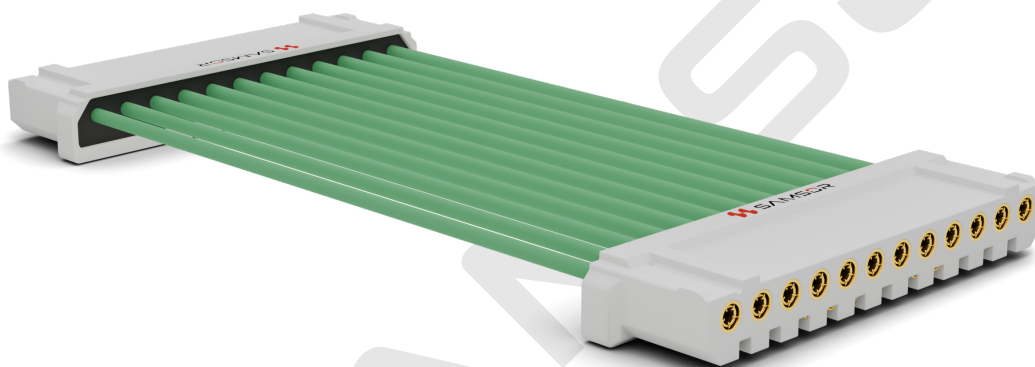
Contact Type: TK - Plug with Socket

Termination Type: Y - Pre-wired

Cable Type: S - Double-ended Cable

Wire Length: Default wire length is L = 200 mm

Note: For wire configuration, please refer to the notes in the "Model Naming" section



Type	A	n(Layout)	Type	A	n(Layout)
JL35-2TKY-SL	7.3	2	JL35-7TKY-SL	20	7
JL35-3TKY-SL	9.84	3	JL35-8TKY-SL	22.54	8
JL35-4TKY-SL	12.38	4	JL35-9TKY-SL	25.08	9
JL35-5TKY-SL	14.92	5	JL35-10TKY-SL	27.62	10
JL35-6TKY-SL	17.46	6	JL35-12TKY-SL	32.7	12

Solder Cup Plug

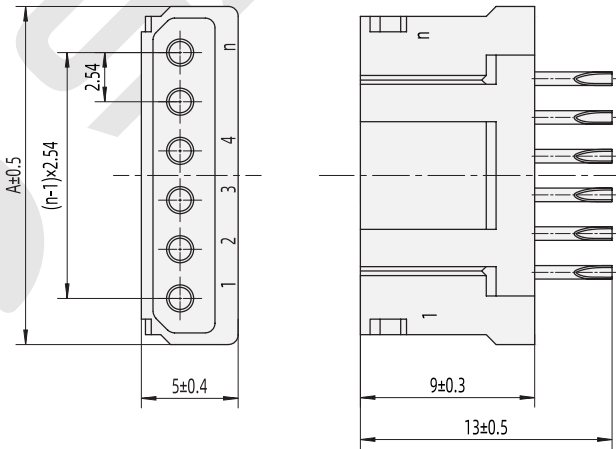
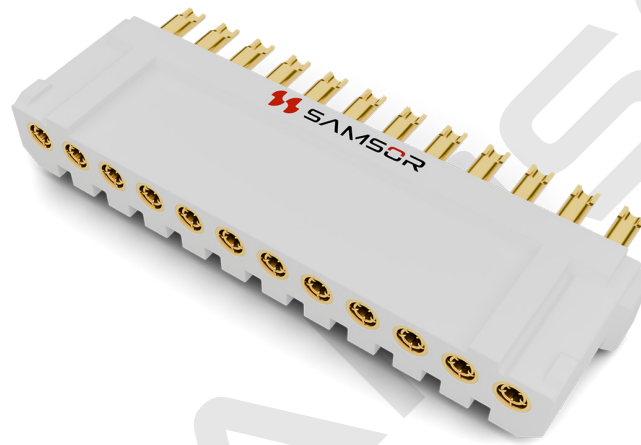
JL35	-	12	TK	H
------	---	----	----	---

Series: JL35

Contact Layout: 2、3、4、5、6、7、8、9、10、12

Contact Type: TK - Plug with Socket

Termination Type: H - Solder Cup



Type	A	n(Layout)	Type	A	n(Layout)
JL35-2TKH	7.3	2	JL35-7TKH	20	7
JL35-3TKH	9.84	3	JL35-8TKH	22.54	8
JL35-4TKH	12.38	4	JL35-9TKH	25.08	9
JL35-5TKH	14.92	5	JL35-10TKH	27.62	10
JL35-6TKH	17.46	6	JL35-12TKH	32.7	12

PCB Receptacle-Vertical

JL35	-	12	ZJ	B	-	XX
------	---	----	----	---	---	----

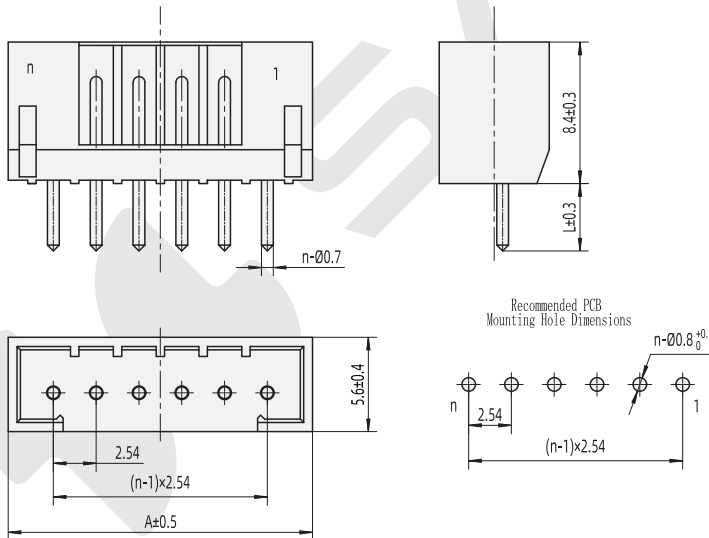
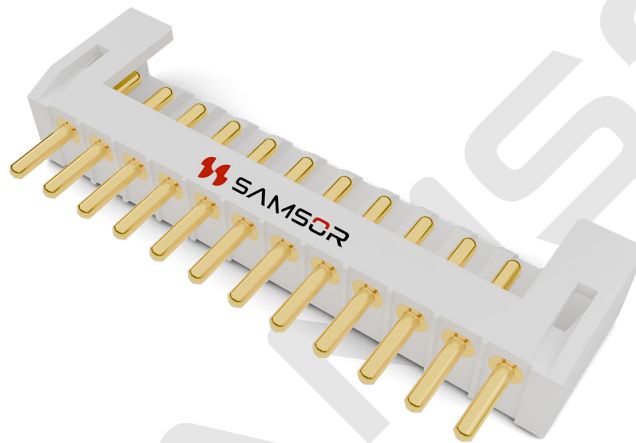
Series: JL35

Contact Layout: 2, 3, 4, 5, 6, 7, 8, 9, 10, 12

Contact Type: ZJ - Receptacle with Pin

Termination Type: B - Vertical PCB

Pin Length: No marking: Default length is 4.0mm -1: Default length is 5.5mm -2: Default length is 7.0mm



- JL35-ZJB: Standard type, L=4.0mm
- JL35-ZJB-1: Extended pin type, L=5.5mm
- JL35-ZJB-2: Extended pin type, L=7.0mm

Type	A	n(Layout)	Type	A	n(Layout)
JL35-2ZJB	7.9	2	JL35-7ZJB	20.6	7
JL35-3ZJB	10.44	3	JL35-8ZJB	23.14	8
JL35-4ZJB	12.98	4	JL35-9ZJB	25.68	9
JL35-5ZJB	15.52	5	JL35-10ZJB	28.22	10
JL35-6ZJB	18.06	6	JL35-12ZJB	33.3	12

PCB Receptacle-Right Angle

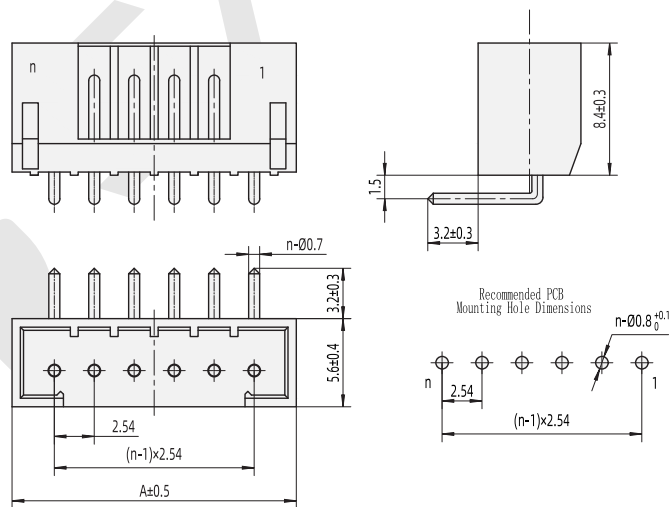
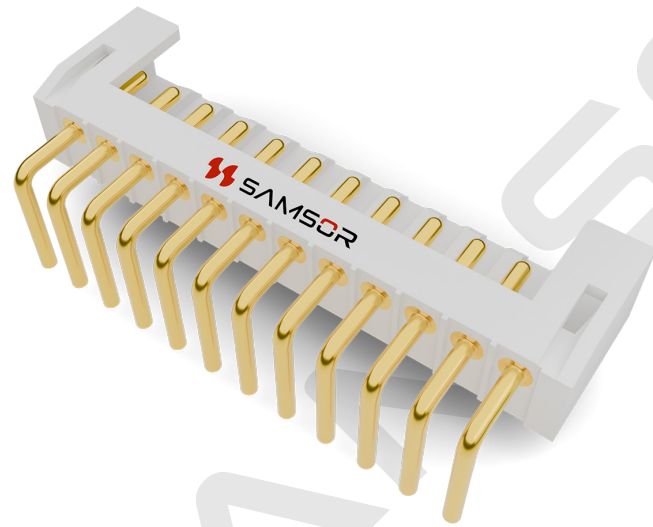
JL35	-	12	ZJ	W
------	---	----	----	---

Series: JL35

Contact Layout: 2, 3, 4, 5, 6, 7, 8, 9, 10, 12

Contact Type: ZJ - Receptacle with Pin

Termination Type: W - Right angle PCB



Type	A	n(Layout)	Type	A	n(Layout)
JL35-2ZJW	7.9	2	JL35-7ZJW	20.6	7
JL35-3ZJW	10.44	3	JL35-8ZJW	23.14	8
JL35-4ZJW	12.98	4	JL35-9ZJW	25.68	9
JL35-5ZJW	15.52	5	JL35-10ZJW	28.22	10
JL35-6ZJW	18.06	6	JL35-12ZJW	33.3	12

Note

- The through-hole diameter for the solder pin mounting shall be greater than 0.8 mm (or 31 mil as specified), otherwise the solder pin may not pass through the PCB
- The solder pin length (L) shall be selected according to the PCB thickness (H). To ensure soldering quality, it is recommended that $L - H \geq 1$ mm
- During soldering, the insulator must be flush with the PCB surface. Tilting or suspending the insulator is strictly prohibited
- For manual soldering, a solder temperature of $(260 \pm 10)^{\circ}\text{C}$ is recommended, with soldering time not exceeding 5 seconds. When using a constant-temperature soldering iron at $(350 \pm 10)^{\circ}\text{C}$, the soldering time should be (2~3) seconds